



US00D881346S

(12) **United States Design Patent**  
**Tentler**

(10) **Patent No.:** **US D881,346 S**

(45) **Date of Patent:** **\*\* Apr. 14, 2020**

(54) **FAUCET HANDLE**

(71) Applicant: **DELTA FAUCET COMPANY,**  
Indianapolis, IN (US)

(72) Inventor: **Anthony Joseph Tentler,** Windfall, IN  
(US)

(73) Assignee: **DELTA FAUCET COMPANY,**  
Indianapolis, IN (US)

(\*\*) Term: **15 Years**

(21) Appl. No.: **29/638,241**

(22) Filed: **Feb. 26, 2018**

(51) **LOC (12) Cl.** ..... **23-01**

(52) **U.S. Cl.**  
USPC ..... **D23/250**

(58) **Field of Classification Search**  
USPC ..... D23/238, 241–243, 250, 252, 254  
See application file for complete search history.

(56) **References Cited**

**U.S. PATENT DOCUMENTS**

D532,488 S \* 11/2006 Berberet ..... D23/252  
7,814,927 B2 \* 10/2010 Hansen ..... E03C 1/0404  
137/315.12

D746,413 S \* 12/2015 Hanna ..... D23/255  
D769,421 S \* 10/2016 Hanna ..... D23/252  
D787,019 S \* 5/2017 Ziemann ..... D23/238  
D809,106 S \* 1/2018 Wang ..... D23/252

\* cited by examiner

*Primary Examiner* — Robert A Delehanty

(74) *Attorney, Agent, or Firm* — Edgar A. Zarins; Nirav  
D. Parikh

(57) **CLAIM**

The ornamental design for a faucet handle, as shown and  
described.

**DESCRIPTION**

FIG. 1 is a first perspective view of a faucet handle showing  
my new design;

FIG. 2 is a second perspective view thereof;

FIG. 3 is a front elevational view thereof;

FIG. 4 is a first side view thereof;

FIG. 5 is a rear view thereof;

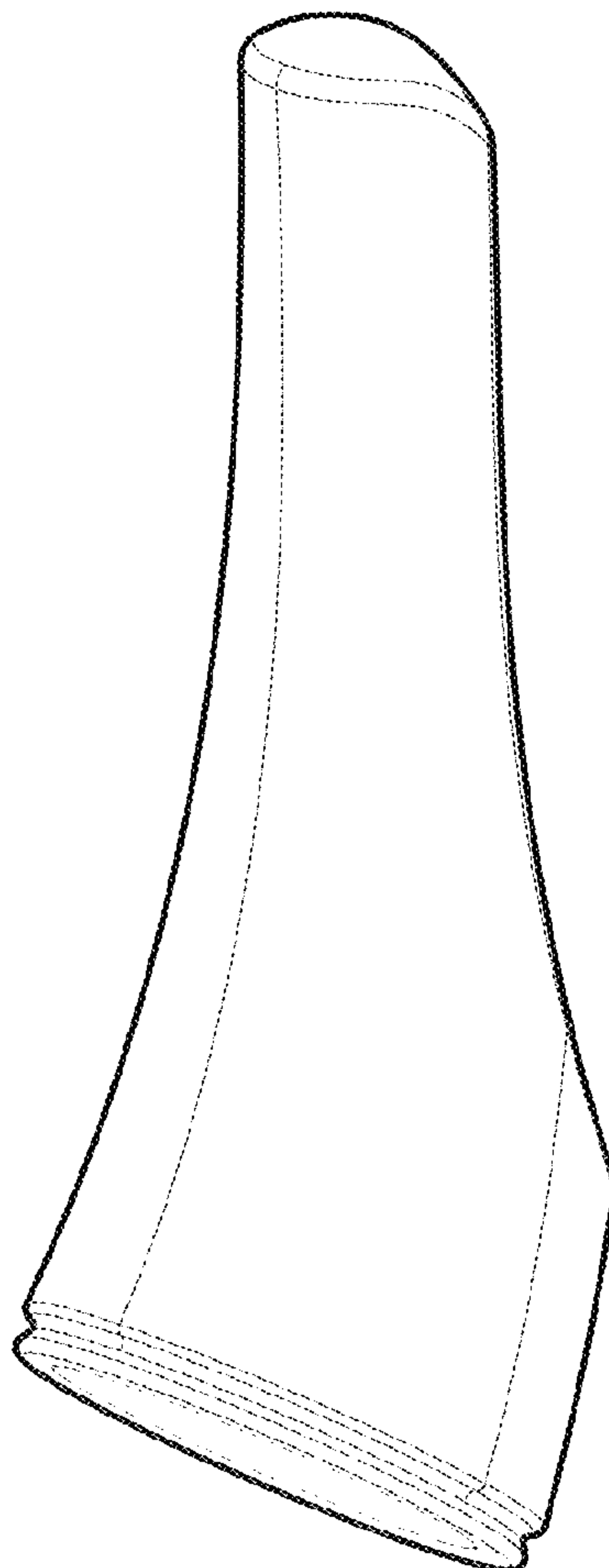
FIG. 6 is a second side view thereof;

FIG. 7 is a top end view thereof; and,

FIG. 8 is a bottom end view thereof.

Portions of the article shown in broken lines form no part of  
the claimed design.

**1 Claim, 4 Drawing Sheets**



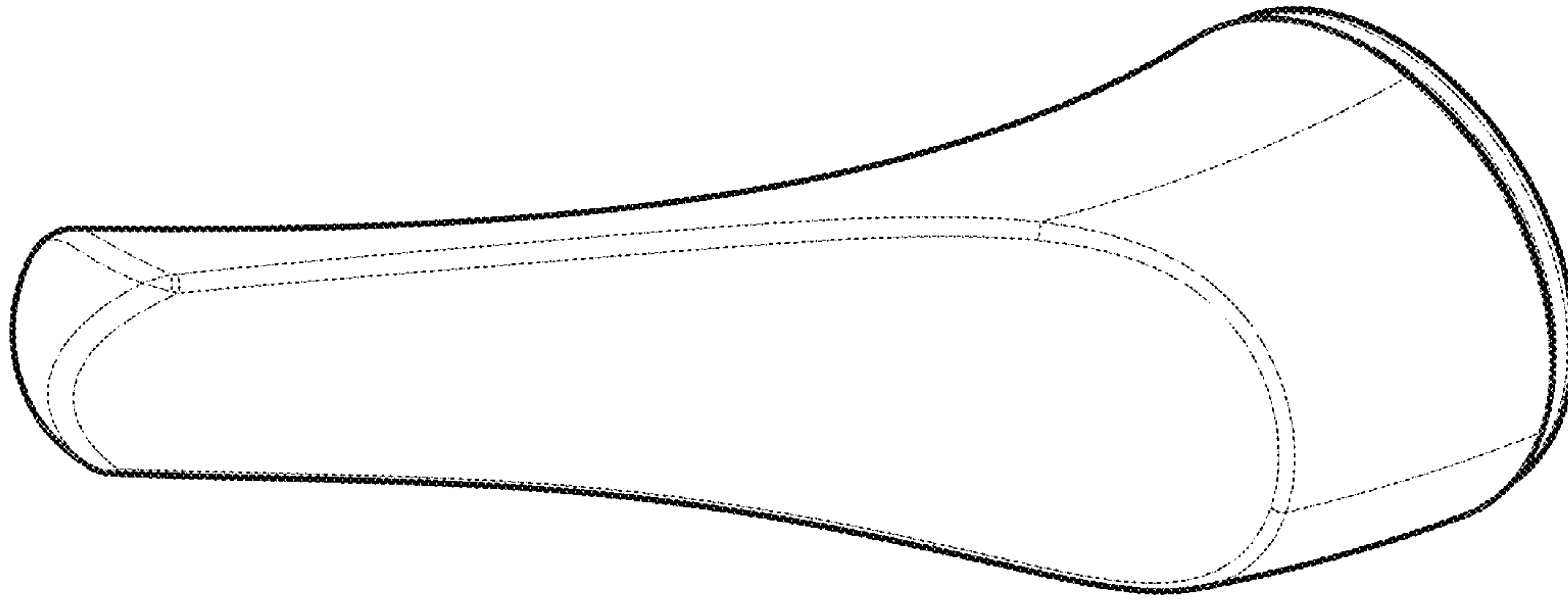


Fig. 2

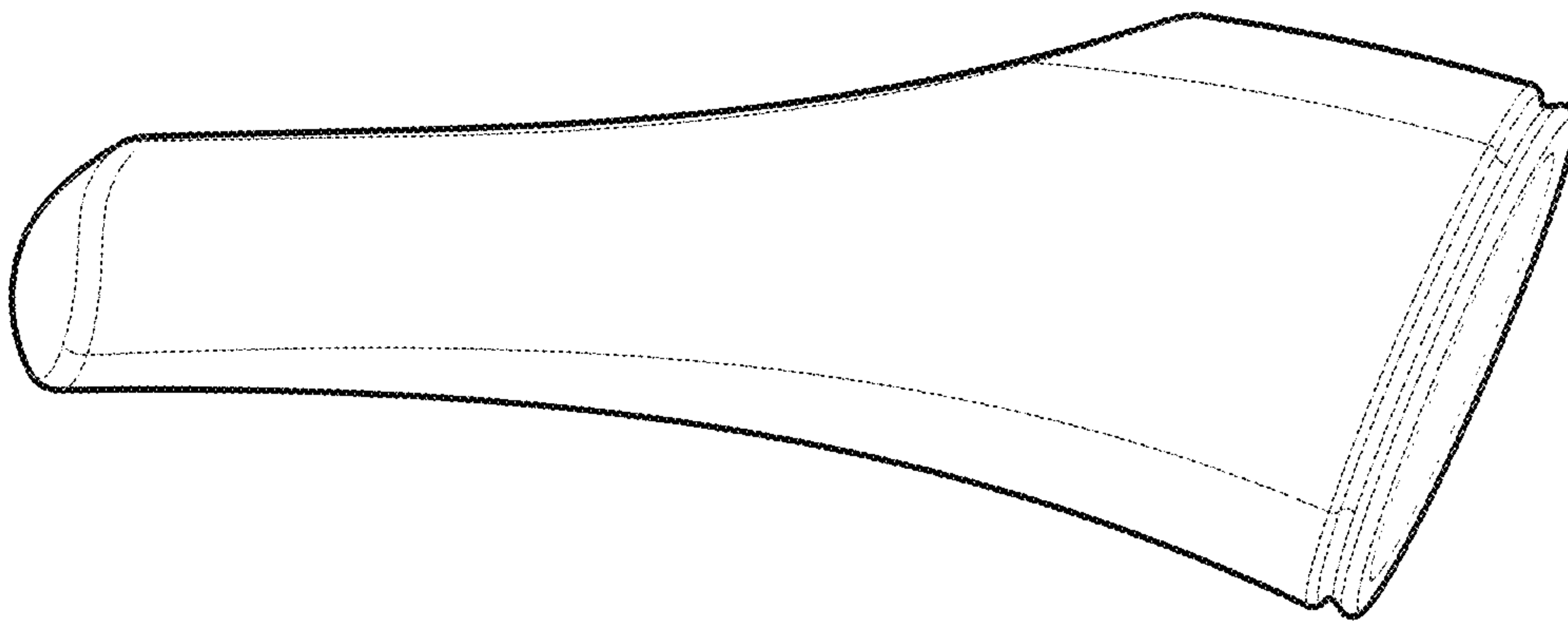


Fig. 1

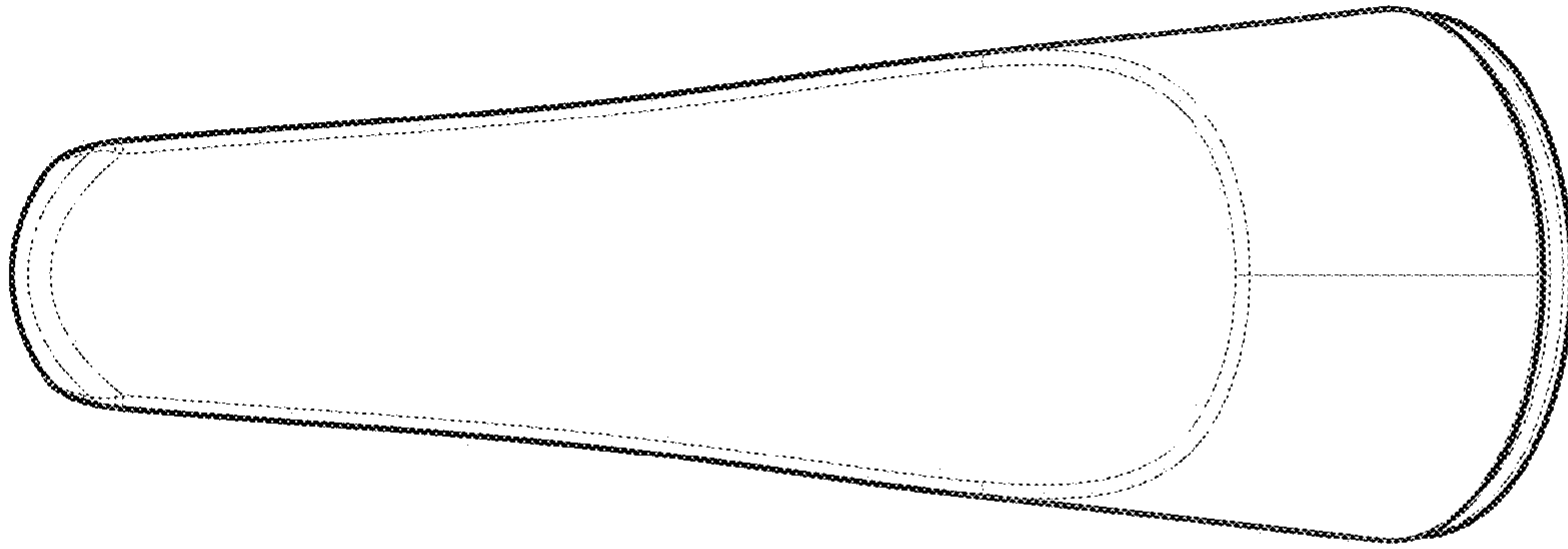


Fig. 3

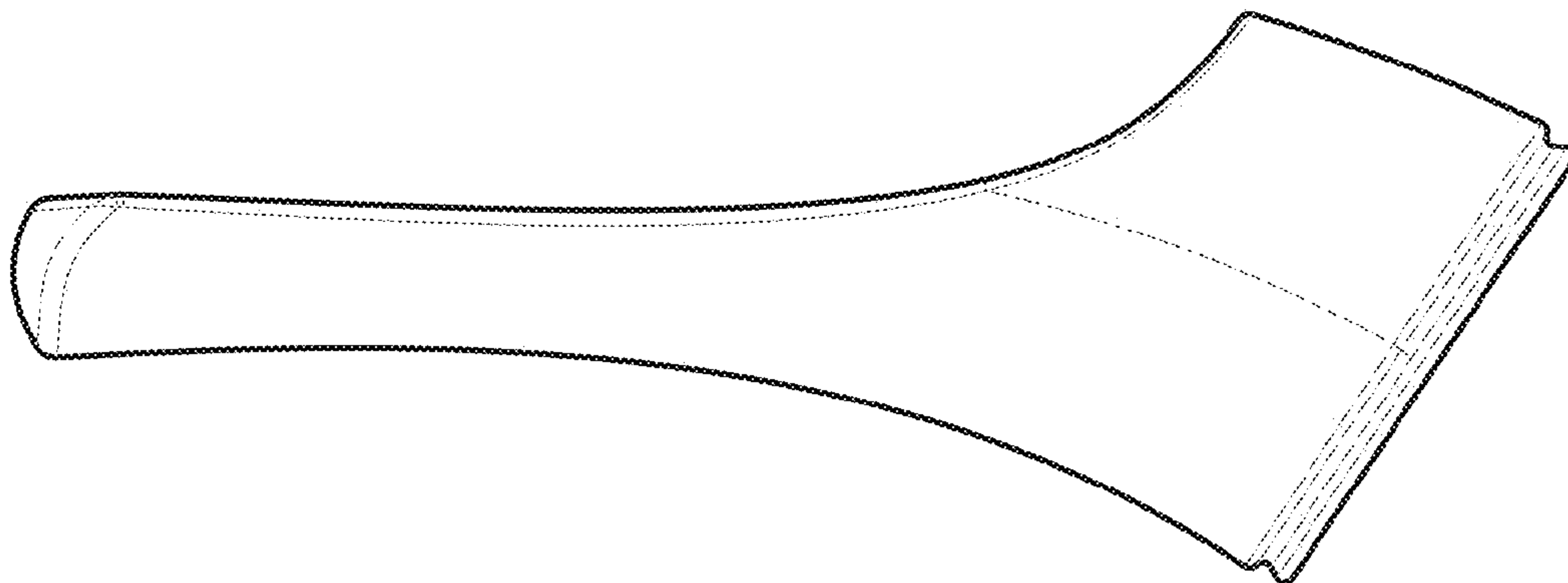


Fig. 4

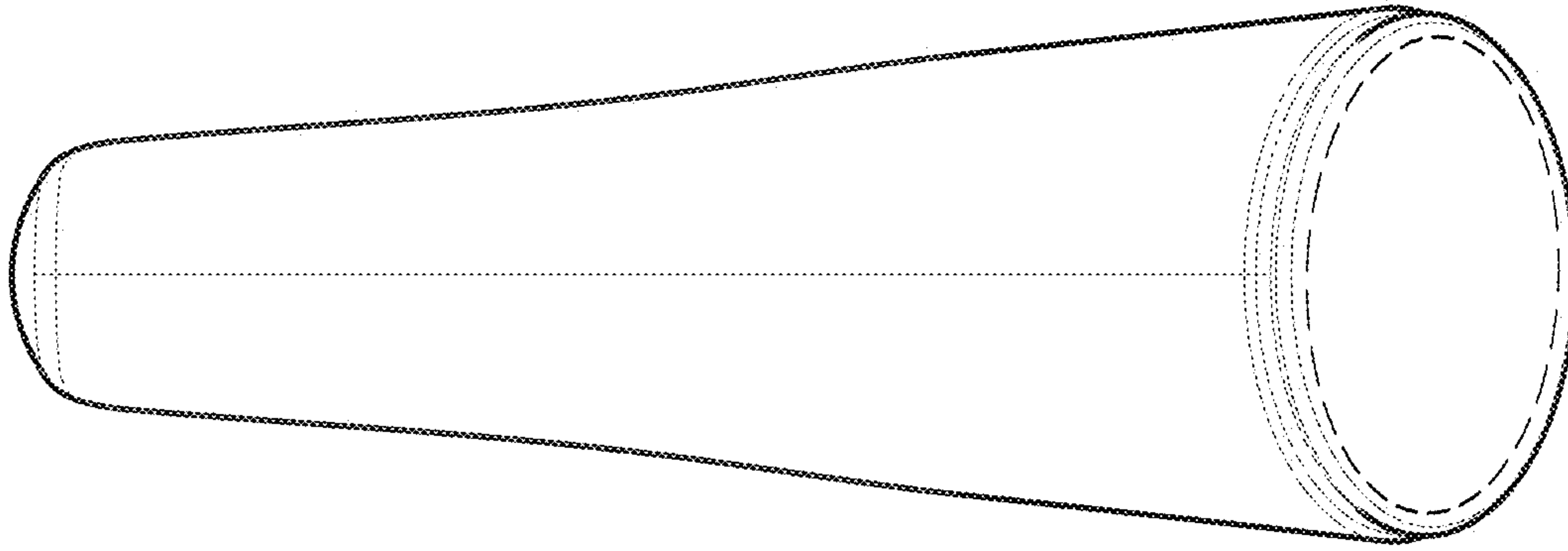


Fig. 5

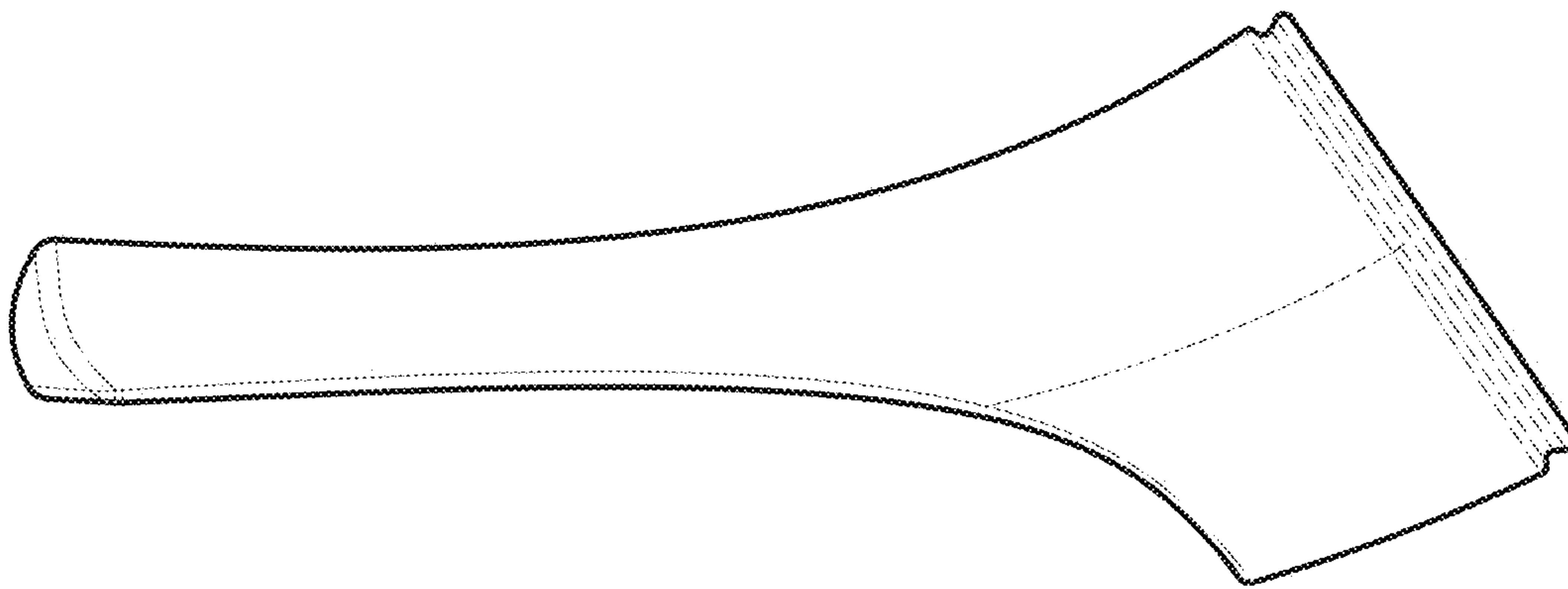


Fig. 6

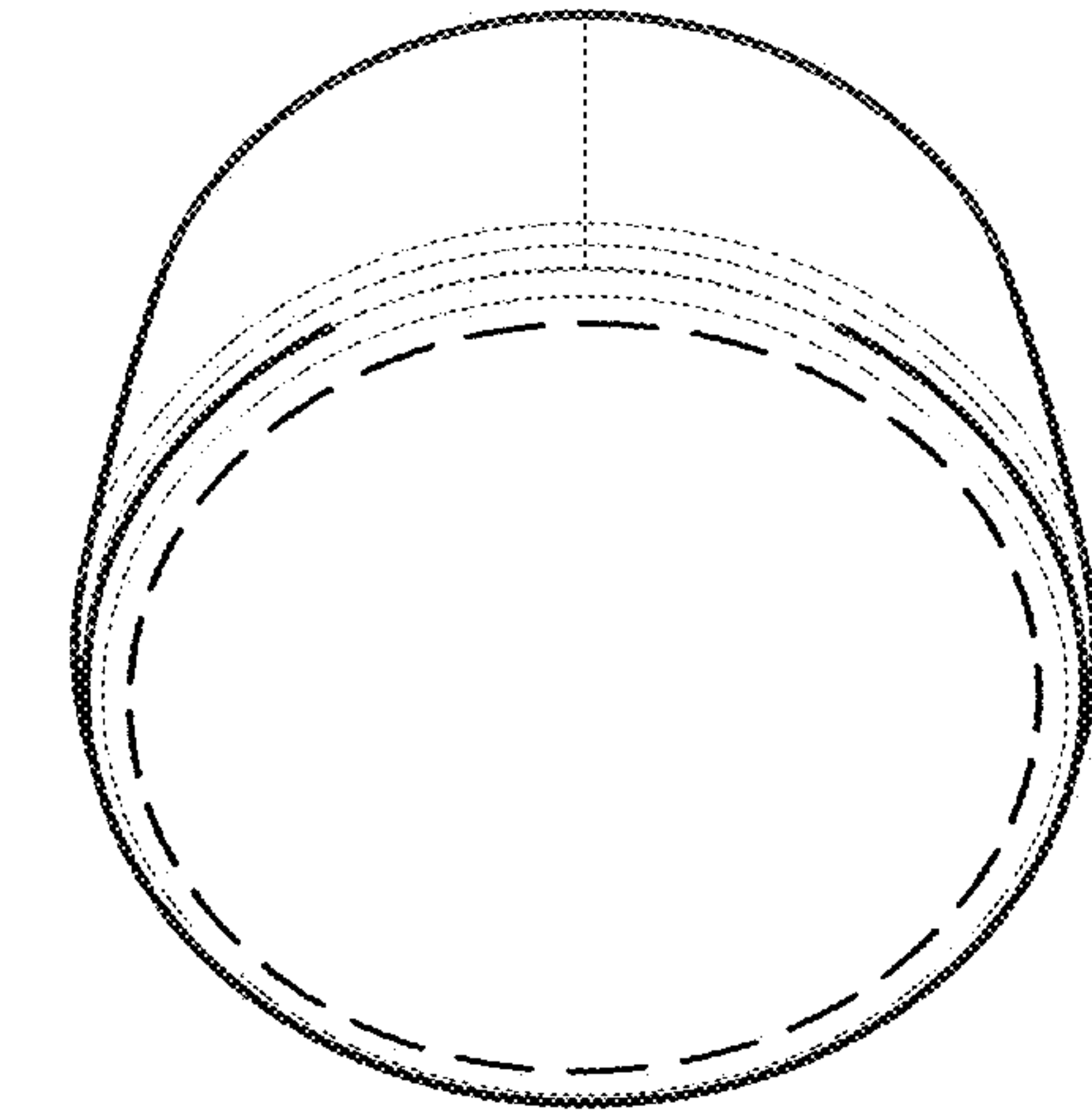


Fig. 8

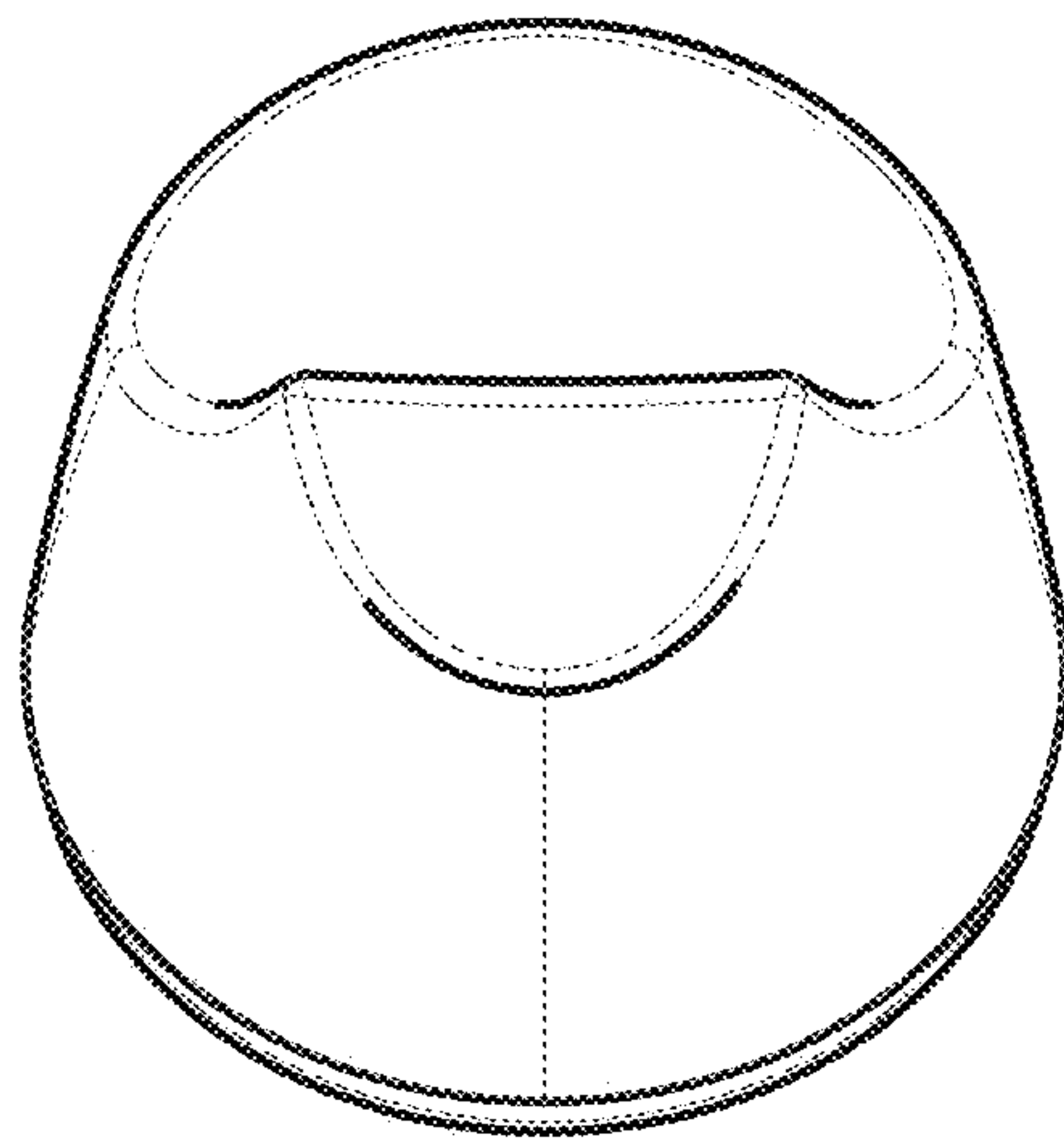


Fig. 7