



US00D881344S

(12) **United States Design Patent**
Qiu et al.

(10) **Patent No.:** **US D881,344 S**
(45) **Date of Patent:** **** Apr. 14, 2020**

- (54) **THERMAL BYPASS VALVE**
- (71) Applicant: **Zhejiang Sanhua Automotive Components Co., Ltd.**, Hangzhou, Zhejiang (CN)
- (72) Inventors: **Haoming Qiu**, Zhejiang (CN); **Zhiyong Liao**, Zhejiang (CN); **Xiaojun Qian**, Zhejiang (CN)
- (73) Assignee: **Zhejiang Sanhua Automotive Components Co., Ltd.**, Hangzhou (CN)

6,719,208	B2	4/2004	Brown	
6,935,569	B2	8/2005	Brown et al.	
7,299,994	B2	11/2007	Brown et al.	
D648,420	S *	11/2011	Hecht	D23/233
D648,421	S *	11/2011	Hecht	D23/233
D648,826	S *	11/2011	Hecht	D23/233
D764,027	S	8/2016	Yin et al.	
D765,226	S	8/2016	Yin et al.	
9,541,211	B2	1/2017	Qiu et al.	
9,650,770	B2	5/2017	Peel	
9,772,632	B1	9/2017	Ihns	
10,007,281	B2	6/2018	Qiu et al.	
2006/0016900	A1	1/2006	Brown et al.	

(**) Term: **15 Years**

(21) Appl. No.: **29/617,871**

(22) Filed: **Sep. 15, 2017**

(30) **Foreign Application Priority Data**

May 4, 2017 (CN) 2017 3 0158427

(51) **LOC (12) Cl.** **23-01**

(52) **U.S. Cl.**
USPC **D23/233**

(58) **Field of Classification Search**
USPC D23/244–249, 233–237; 62/222, 210, 62/527, 225, 126, 324.1, 202, 211, 115; 236/92 B; 137/15.04, 549, 597, 625.29, 137/625.4, 625.47, 468; 251/62, 63, 63.5, 251/129.1, 129.16–129.18, 149.1, 214, 251/309–310
CPC F25B 41/062; F25B 2600/2513; F25B 2341/065

See application file for complete search history.

(56) **References Cited**

U.S. PATENT DOCUMENTS

D270,752 S 9/1983 Gorans
6,499,666 B1 12/2002 Brown

* cited by examiner

Primary Examiner — Cynthia Ramirez

Assistant Examiner — Gino Colan

(74) *Attorney, Agent, or Firm* — Wolf, Greenfield & Sacks, P.C.

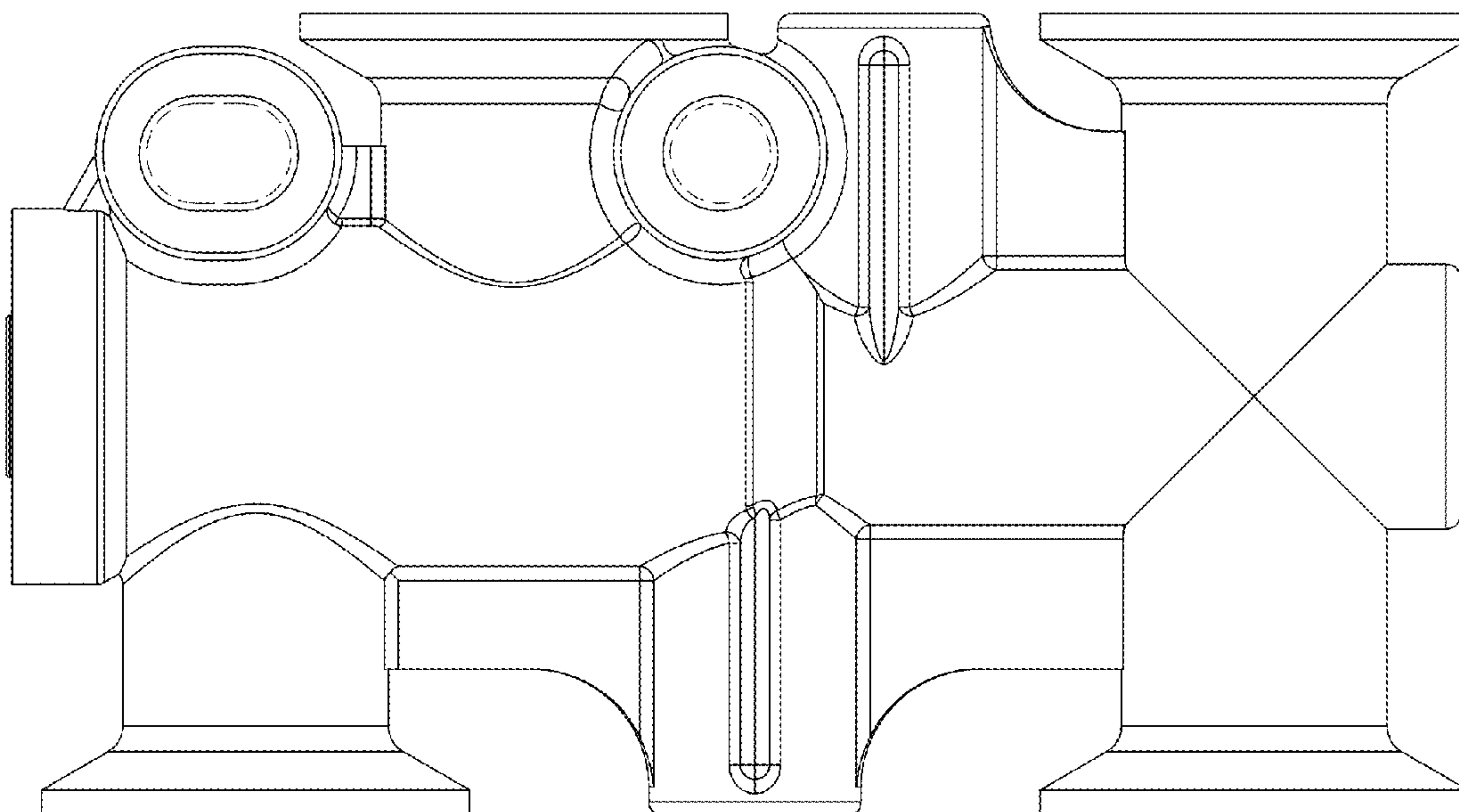
(57) **CLAIM**

The ornamental design for a thermal bypass valve, as shown and described.

DESCRIPTION

FIG. 1 is a front view of a thermal bypass valve showing our new design;
FIG. 2 is a rear view thereof;
FIG. 3 is a left side view thereof;
FIG. 4 is a right side view thereof;
FIG. 5 is a top view thereof;
FIG. 6 is a bottom view thereof;
FIG. 7 is a top, front, left side perspective view thereof;
FIG. 8 is a top, rear, left side perspective view thereof; and,
FIG. 9 is a bottom, right side perspective view thereof.
The broken lines shown in the figures represent unclaimed portions of the thermal bypass valve and form no part of the claimed design.

1 Claim, 9 Drawing Sheets



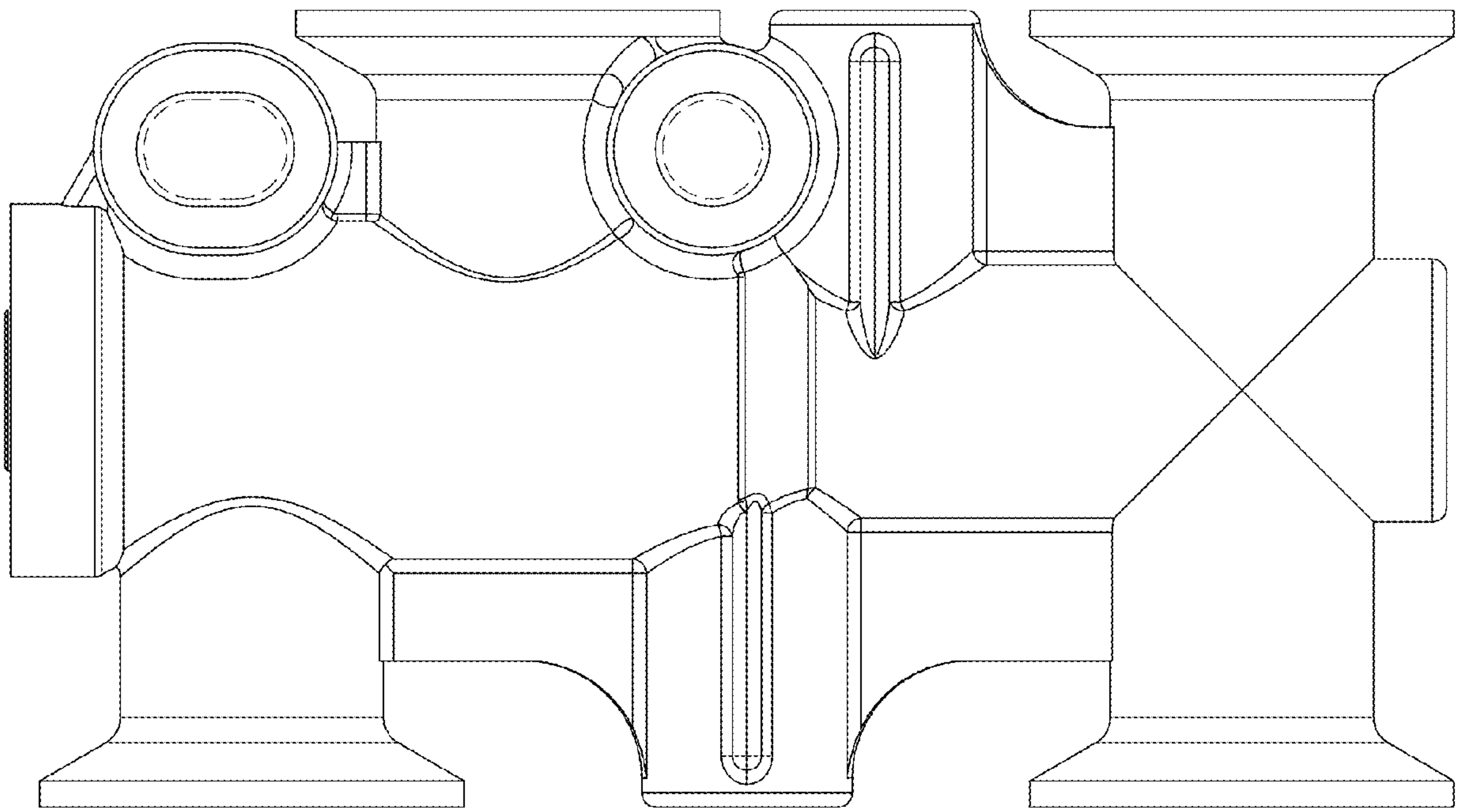


Fig. 1

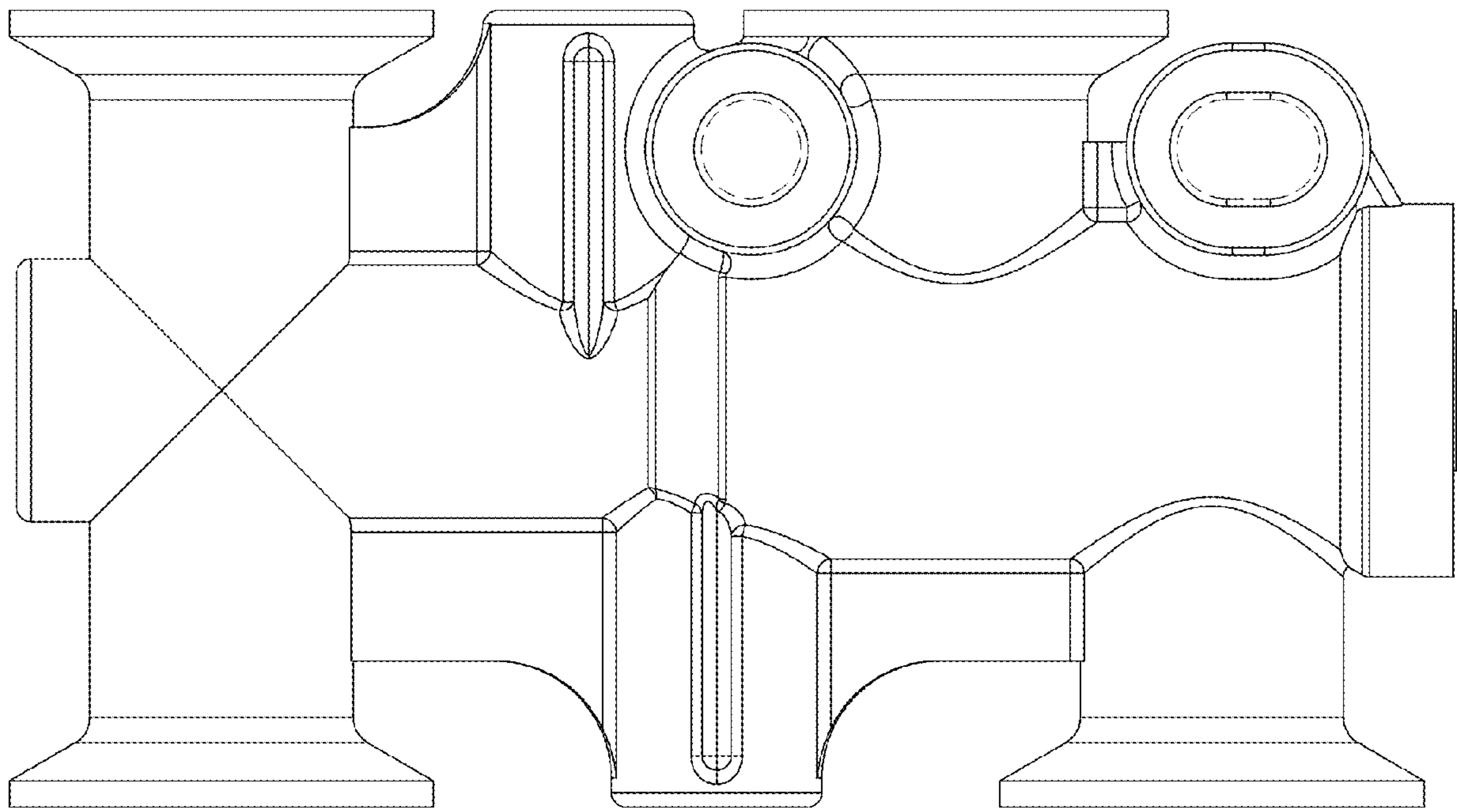


Fig. 2

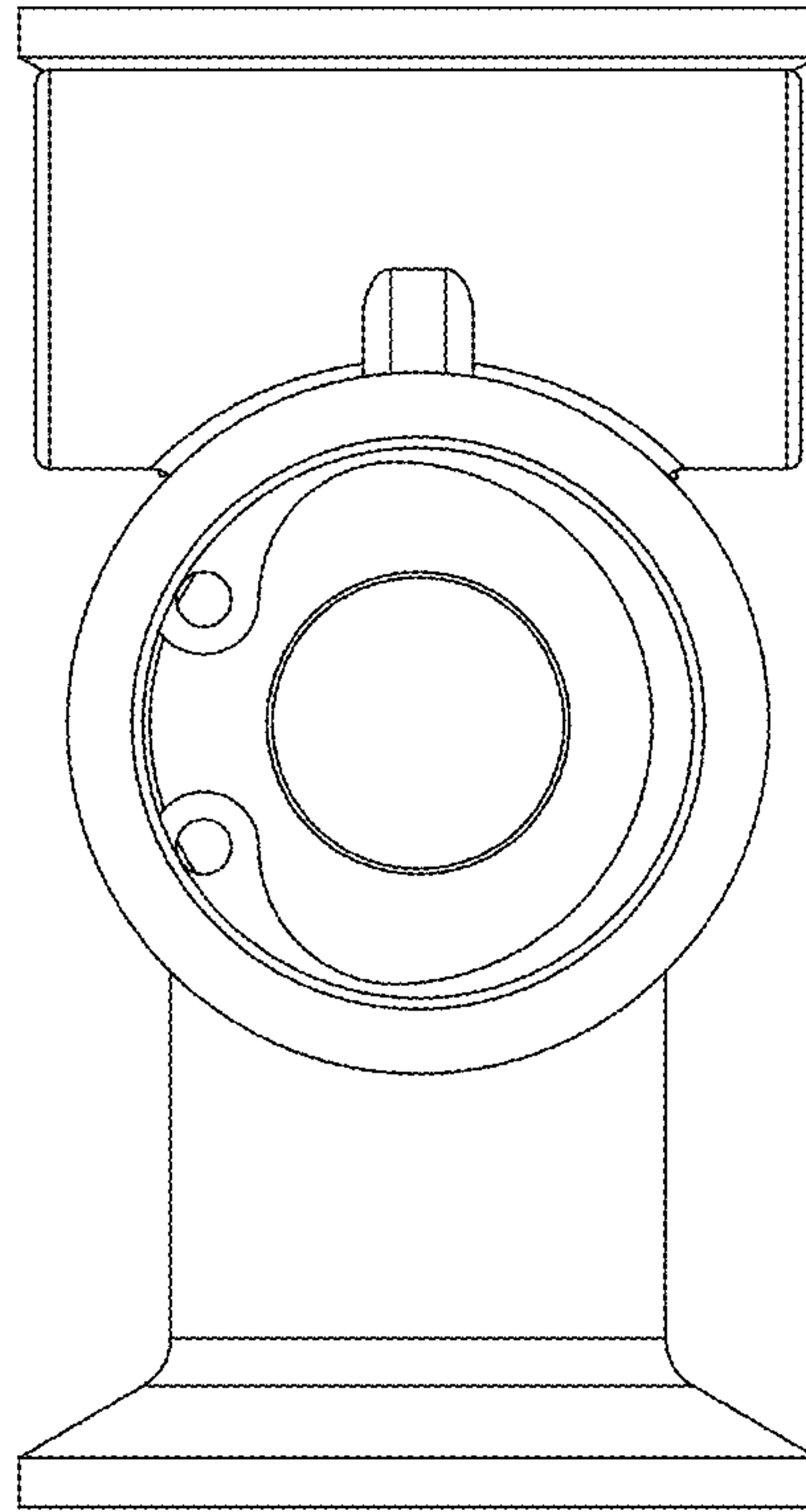


Fig. 3

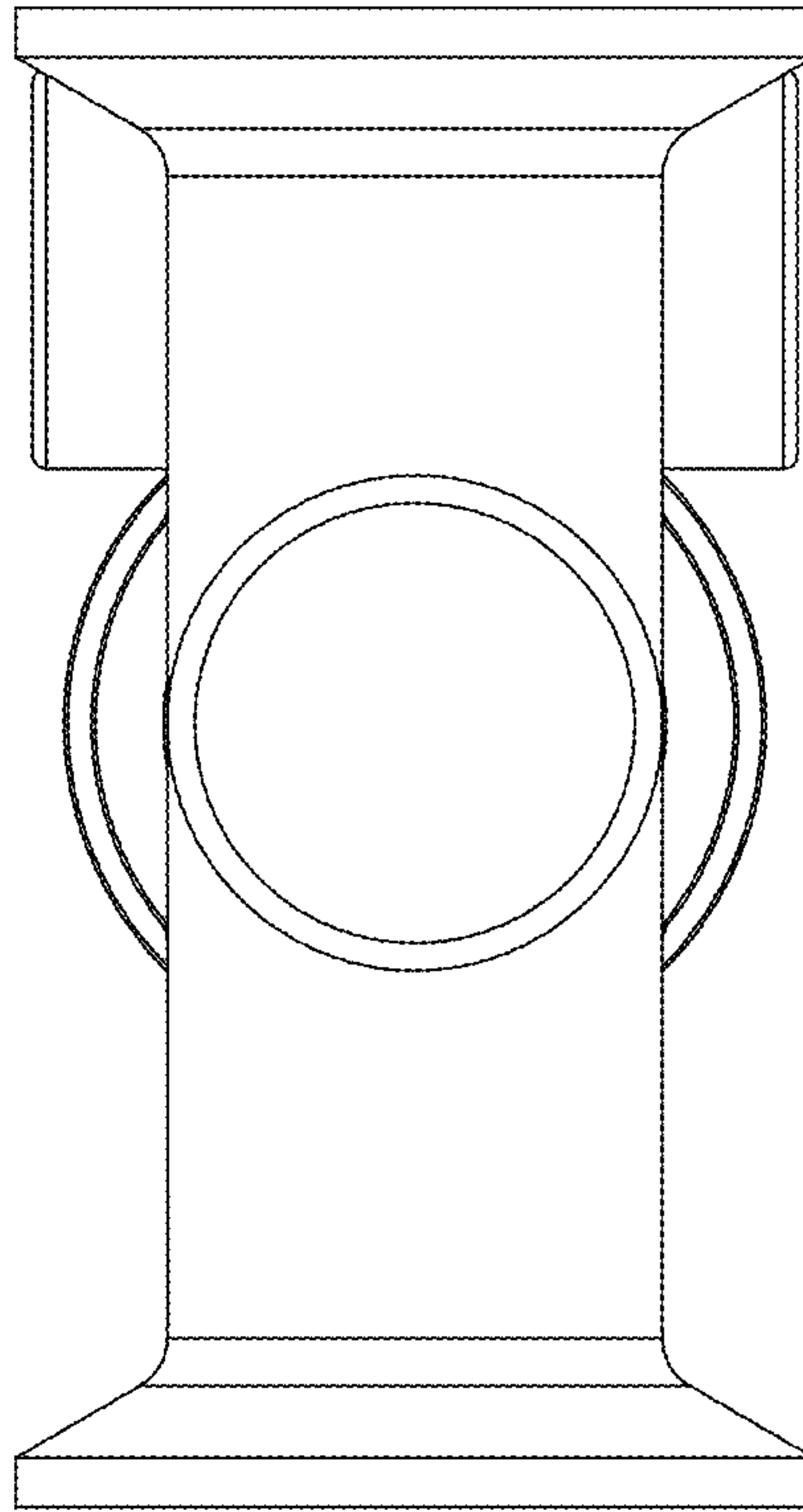


Fig. 4

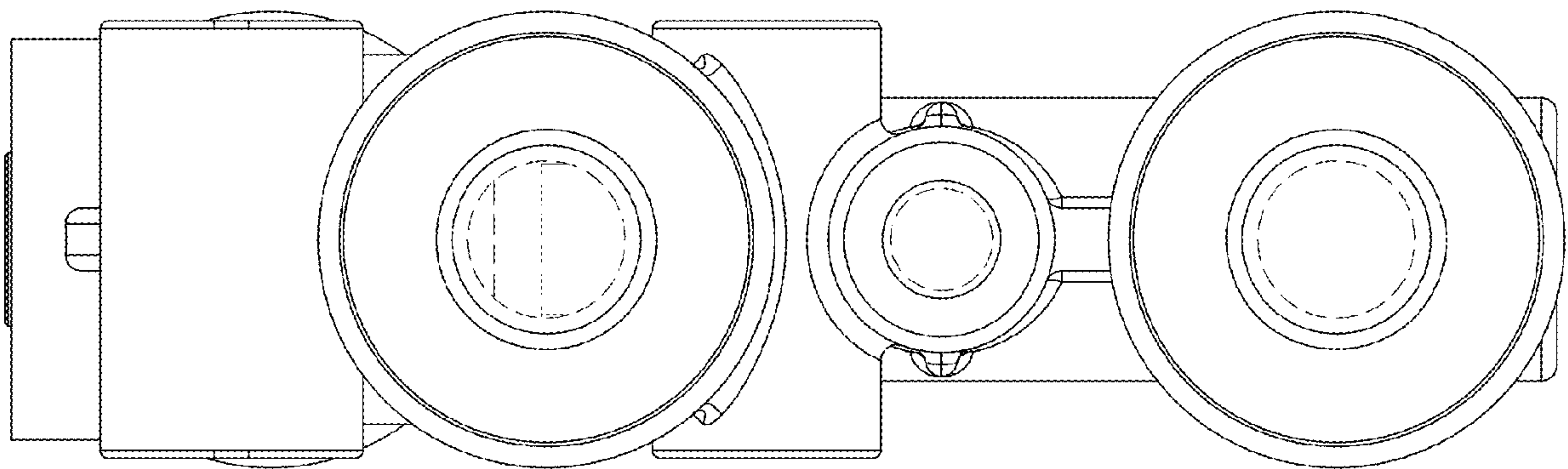


Fig. 5

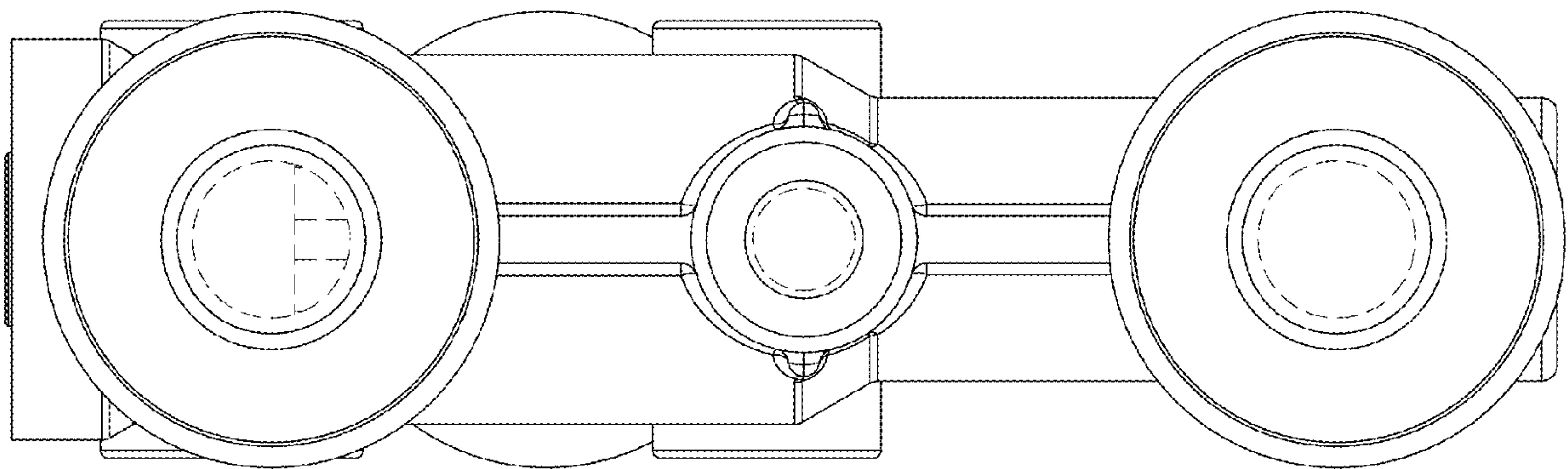


Fig. 6

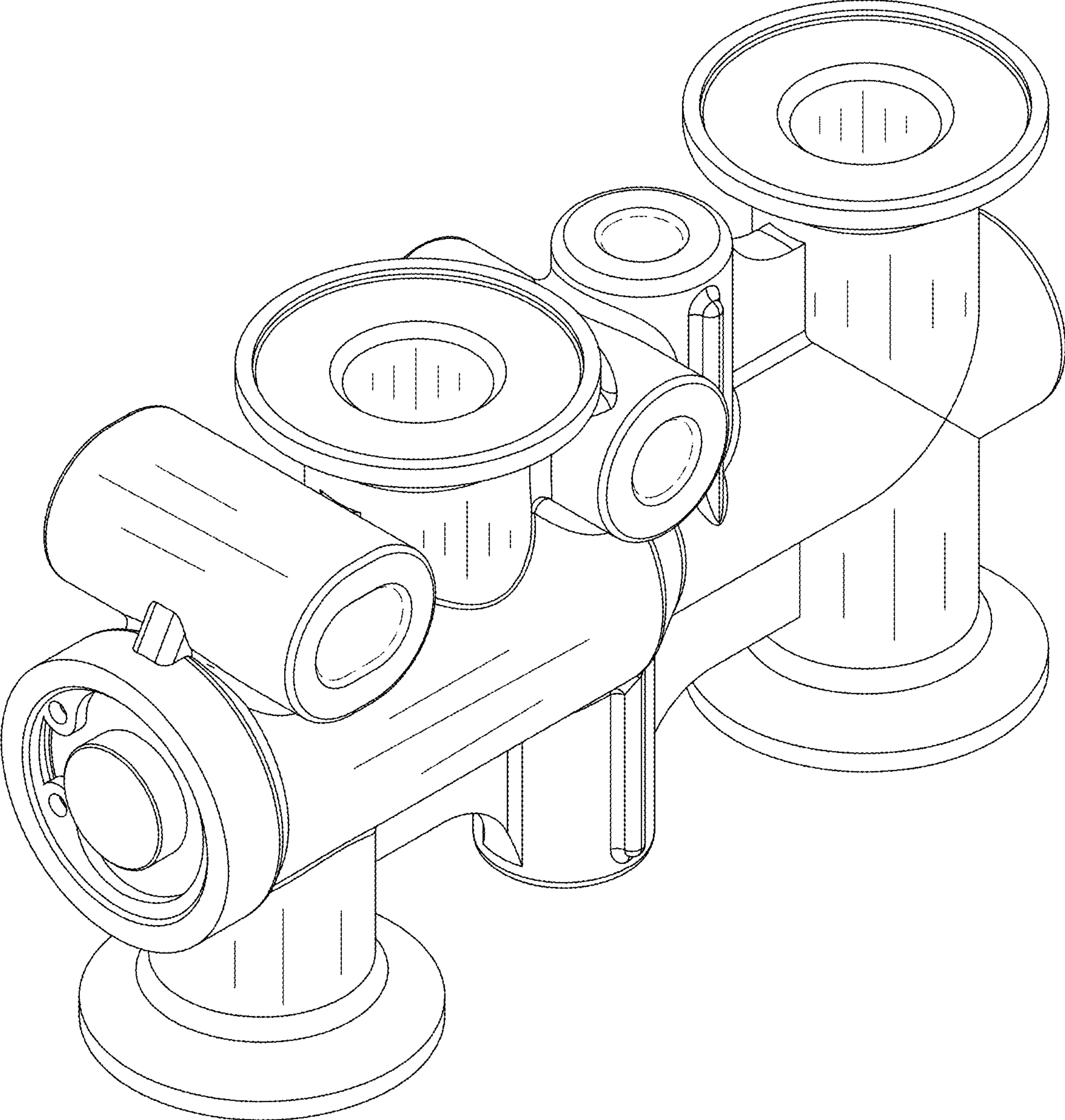


Fig. 7

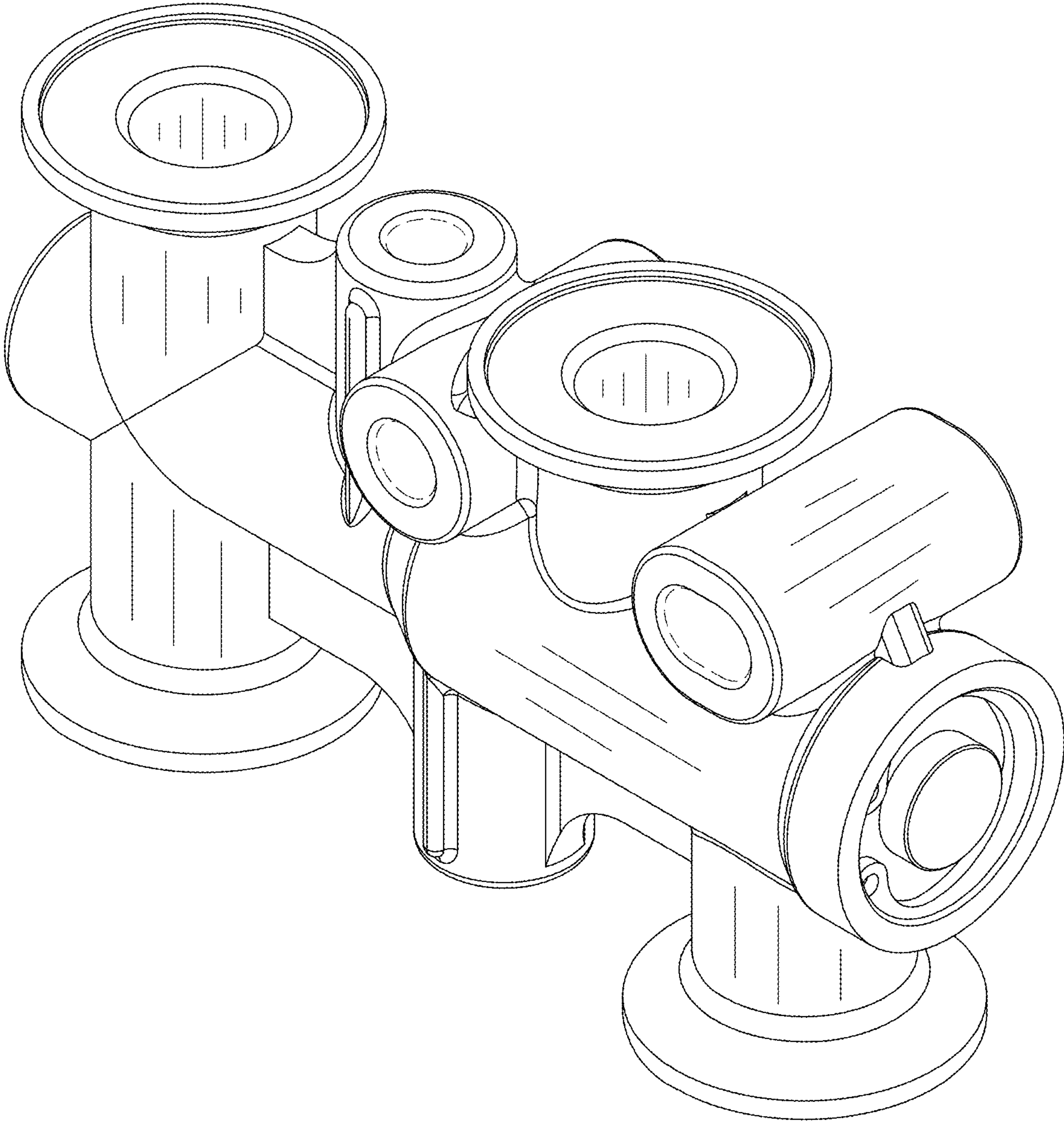


Fig. 8

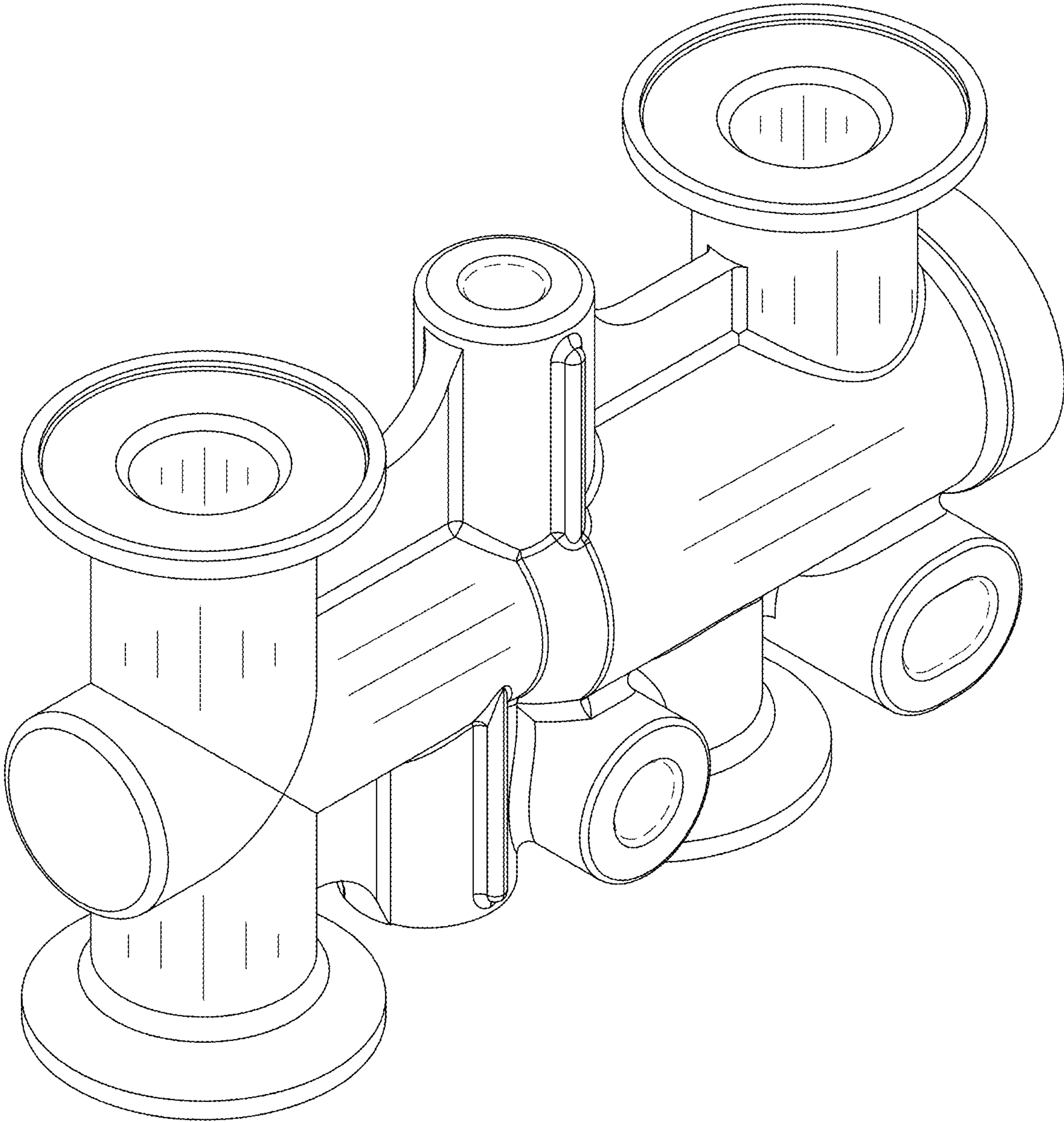


Fig. 9