



US00D881342S

(12) **United States Design Patent** (10) **Patent No.:** **US D881,342 S**  
**Chou** (45) **Date of Patent:** **\*\* Apr. 14, 2020**

(54) **SEALANT DISPENSER** D701,766 S \* 4/2014 Harrower ..... D9/448  
D710,198 S \* 8/2014 Blowfield ..... D9/445  
(71) Applicant: **UNIK WORLD INDUSTRIAL CO., LTD., Tainan (TW)** D723,934 S \* 3/2015 Kim ..... D9/691  
D787,325 S \* 5/2017 Young ..... D15/7  
D809,097 S \* 1/2018 Bates ..... D23/225  
(72) Inventor: **Wen-San Chou, Tainan (TW)** D842,031 S \* 3/2019 MacLean-Blevins ..... D7/398  
D846,998 S \* 4/2019 Bos ..... D9/688  
D856,814 S \* 8/2019 Villarreal ..... D9/688  
(73) Assignee: **UNIK WORLD INDUSTRIAL CO., LTD., Tainan (TW)** D861,906 S \* 10/2019 Matsushita ..... D24/203  
D862,244 S \* 10/2019 Servaire ..... D9/688  
2016/0159017 A1\* 6/2016 Chou ..... B29C 73/025  
141/38  
(\*\*) Term: **15 Years** 2019/0344954 A1\* 11/2019 Chou ..... F04B 23/02

(21) Appl. No.: **29/666,441**

OTHER PUBLICATIONS

(22) Filed: **Oct. 12, 2018**

<https://www.amazon.com/dp/B07V2X6ZNY/> (Year: 2019).\*

(51) **LOC (12) Cl.** ..... **23-01**

\* cited by examiner

(52) **U.S. Cl.**

USPC ..... **D23/225**; D9/688; D9/448

(58) **Field of Classification Search**

USPC ..... D23/208, 213, 223–225, 233, 235–237, D23/241–249, 252, 255, 262; D7/322, D7/398, 669; D9/434–436, 439, 440, D9/443, 447–450, 454, 499, 682, D9/685–691

CPC ..... F04B 9/14; F04B 23/02; F04B 23/023; B05B 11/3059; B05B 11/3001

See application file for complete search history.

*Primary Examiner* — Manpreet S Matharu

*Assistant Examiner* — Keith J Wilson

(74) *Attorney, Agent, or Firm* — Sinorica, LLC

(57) **CLAIM**

The ornamental design for a sealant dispenser, as shown.

**DESCRIPTION**

FIG. 1 is a first perspective view of a sealant dispenser showing my new design thereof;

FIG. 2 is a front elevational view thereof;

FIG. 3 is a rear elevational view thereof;

FIG. 4 is a left side elevational view thereof;

FIG. 5 is a right side elevational view thereof;

FIG. 6 is a top plan view thereof;

FIG. 7 is a bottom plan view thereof; and,

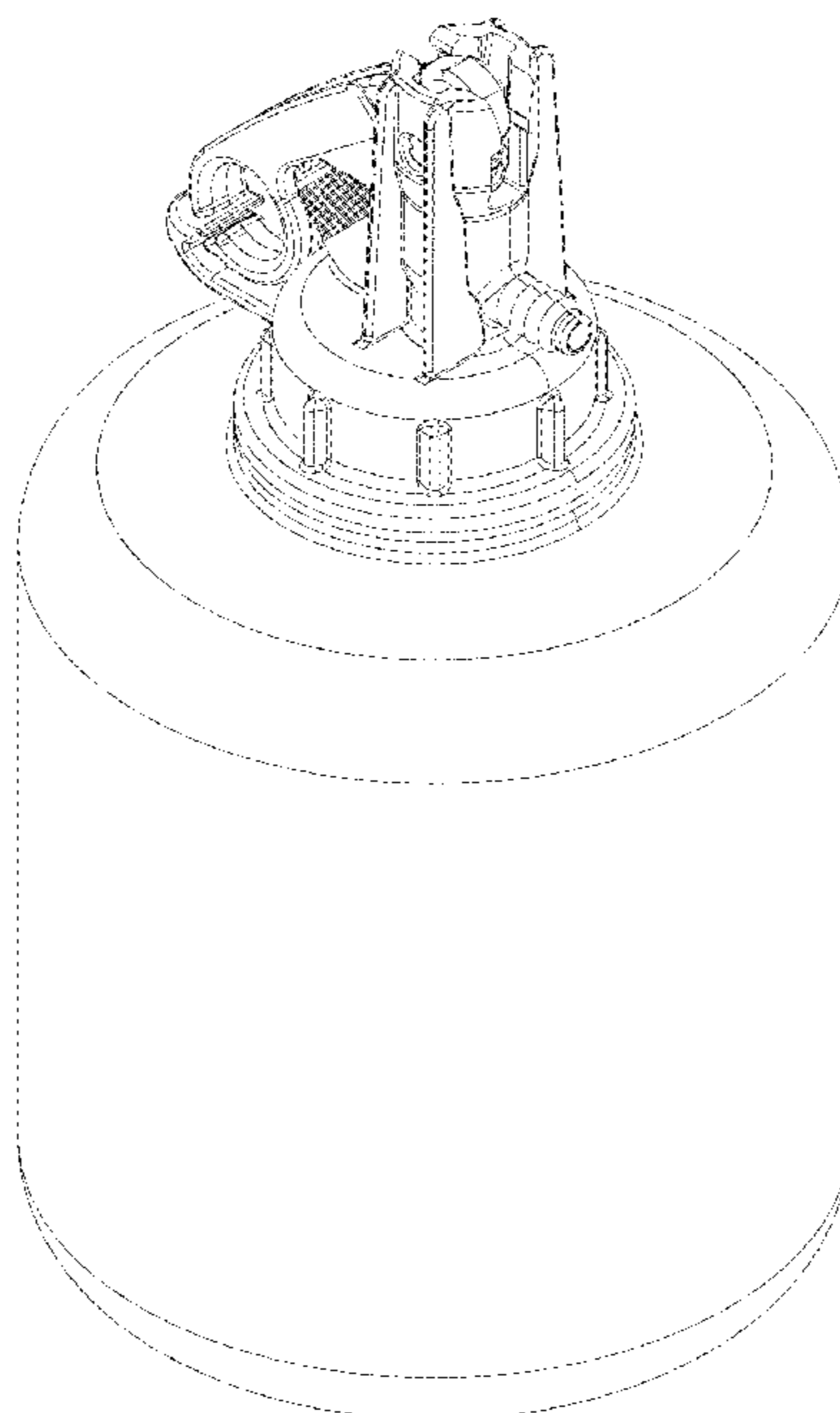
FIG. 8 is a second perspective view of a sealant dispenser showing my new design thereof.

(56) **References Cited**

U.S. PATENT DOCUMENTS

D440,867 S \* 4/2001 Dailey ..... D9/687  
D638,306 S \* 5/2011 Havrileck ..... D9/688  
D641,252 S \* 7/2011 Butler ..... D9/690  
D657,242 S \* 4/2012 Christianson ..... D9/448  
D659,533 S \* 5/2012 Taylor ..... D9/443  
D659,534 S \* 5/2012 Taylor ..... D9/443  
D663,617 S \* 7/2012 Christianson ..... D9/447  
D673,850 S \* 1/2013 Wadt ..... D9/448

**1 Claim, 8 Drawing Sheets**



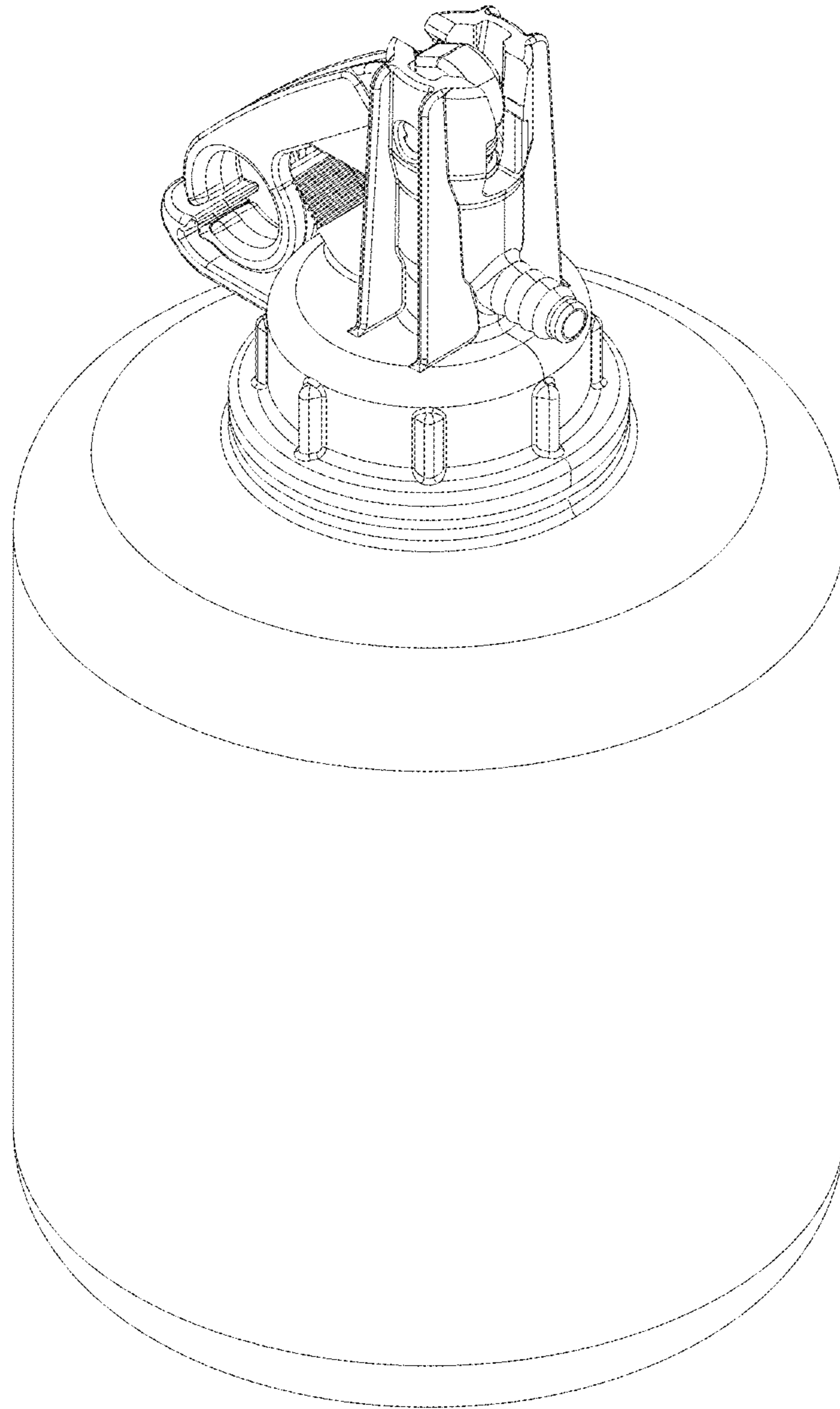


FIG. 1

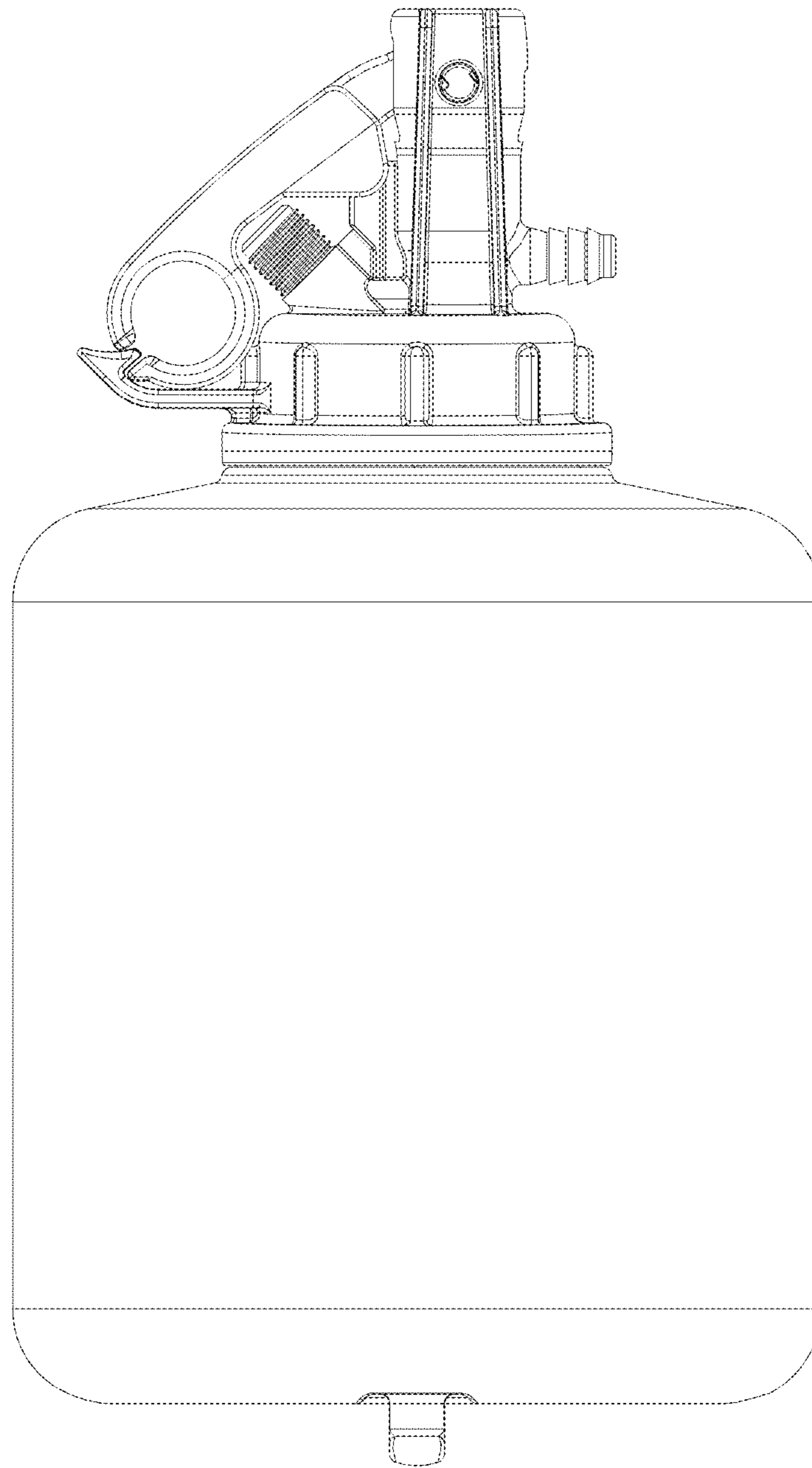


FIG. 2

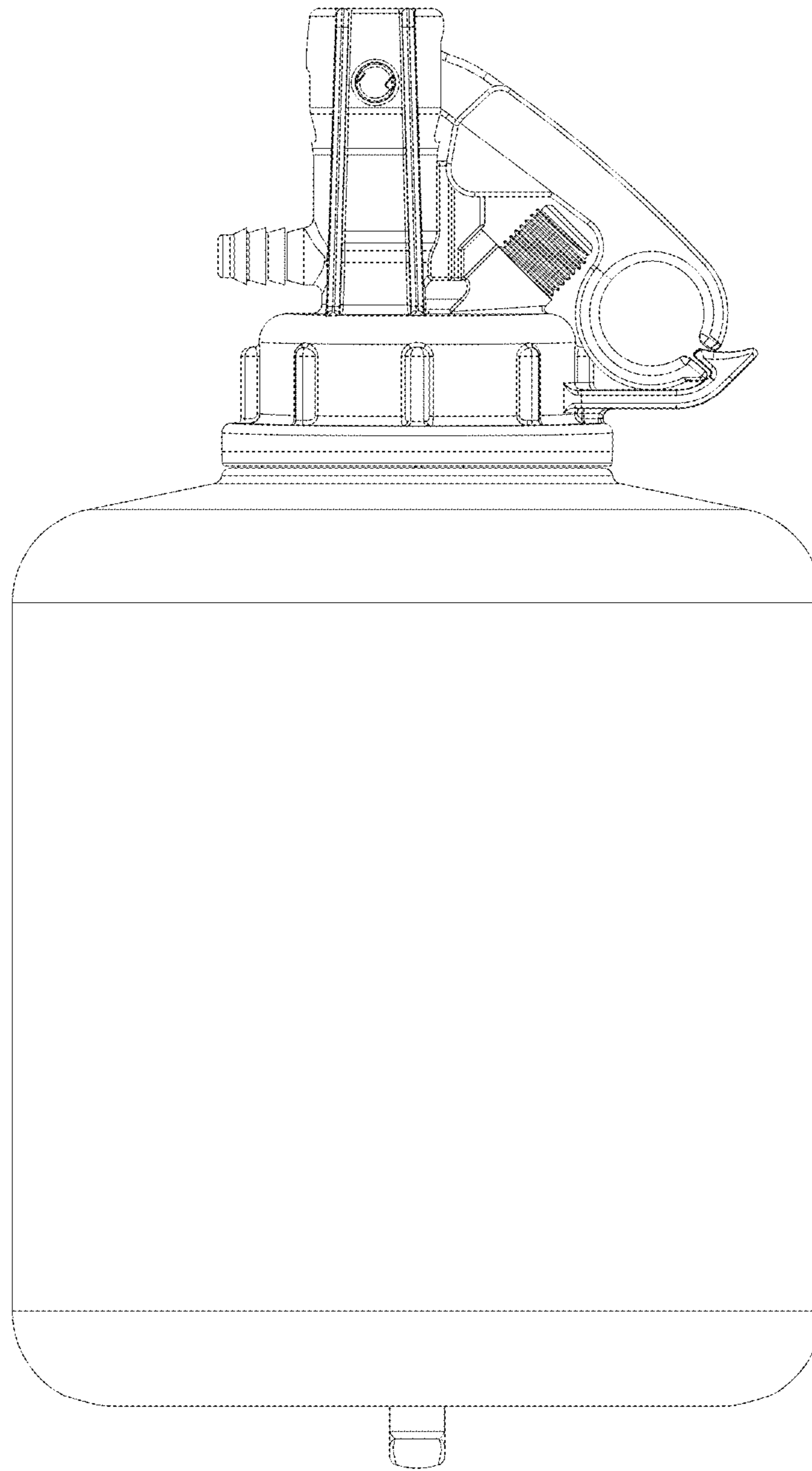


FIG. 3

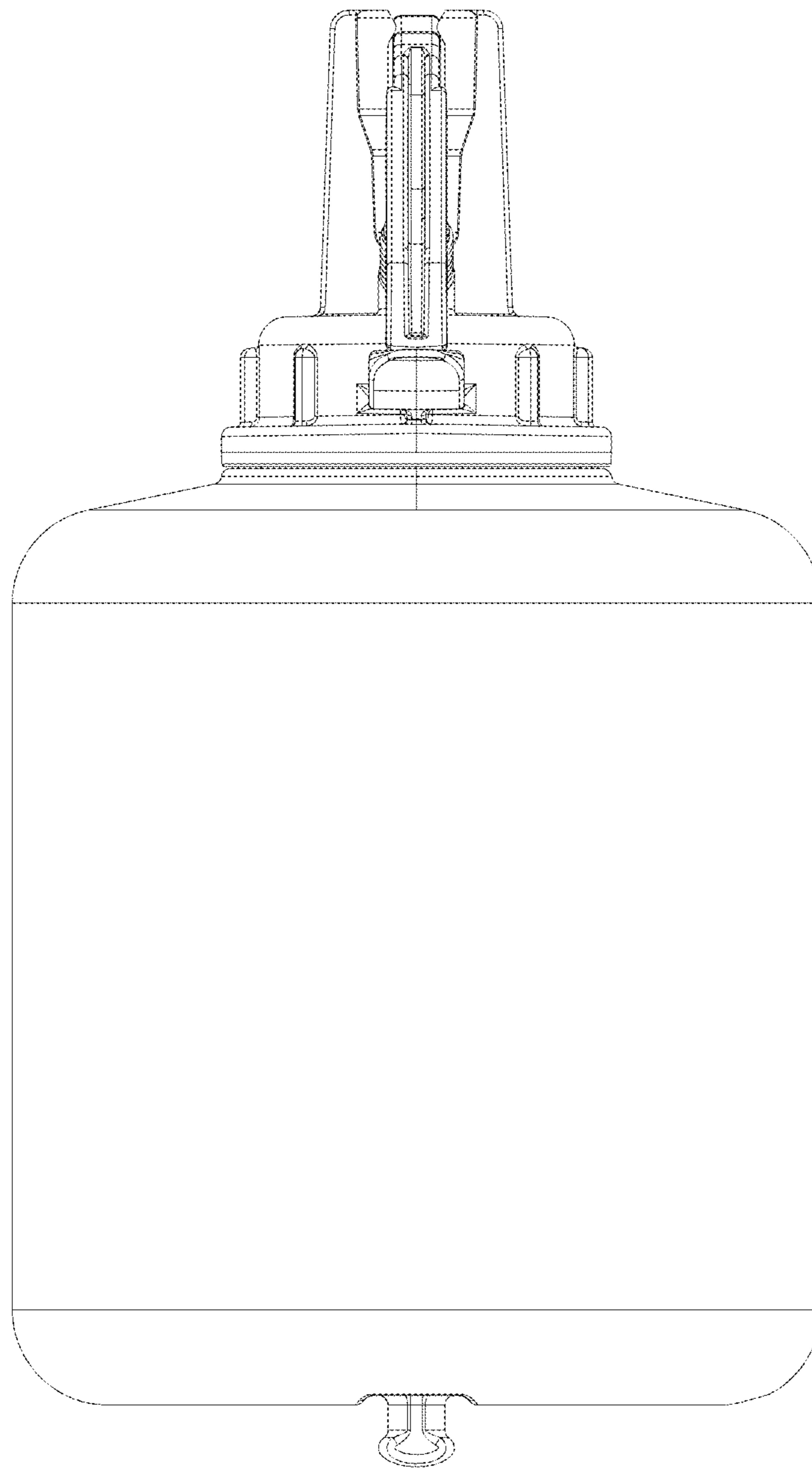


FIG. 4

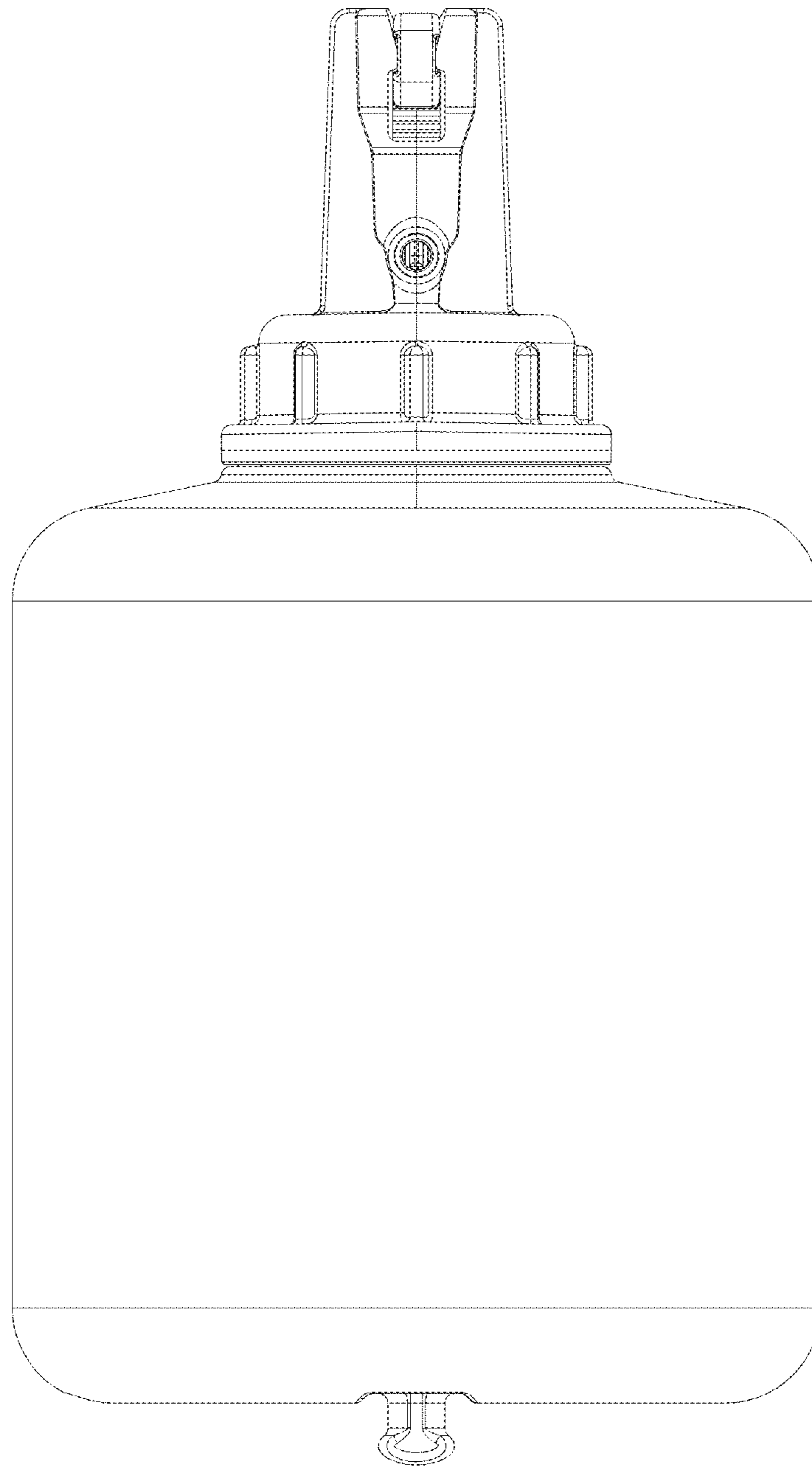


FIG. 5

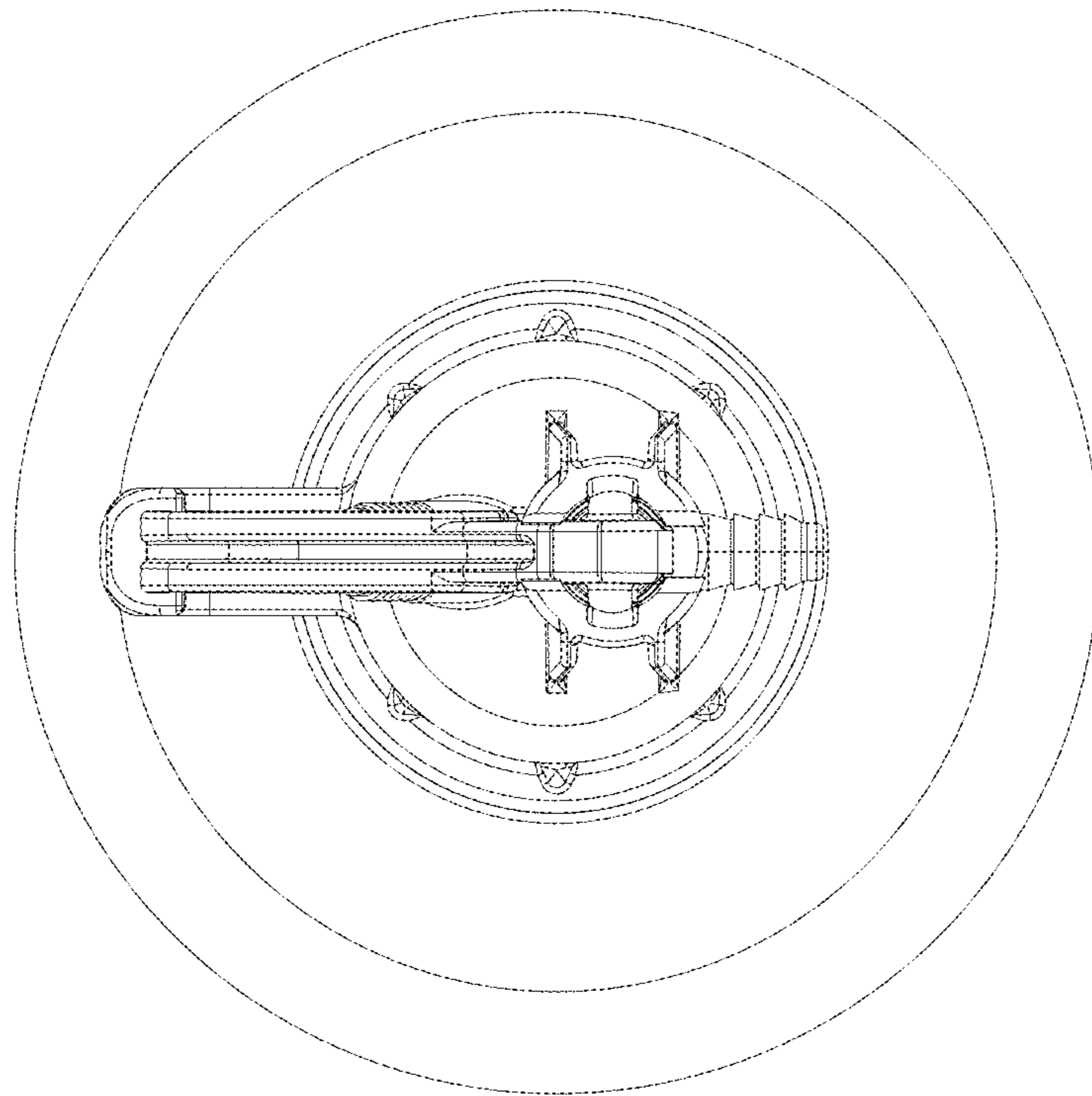


FIG. 6

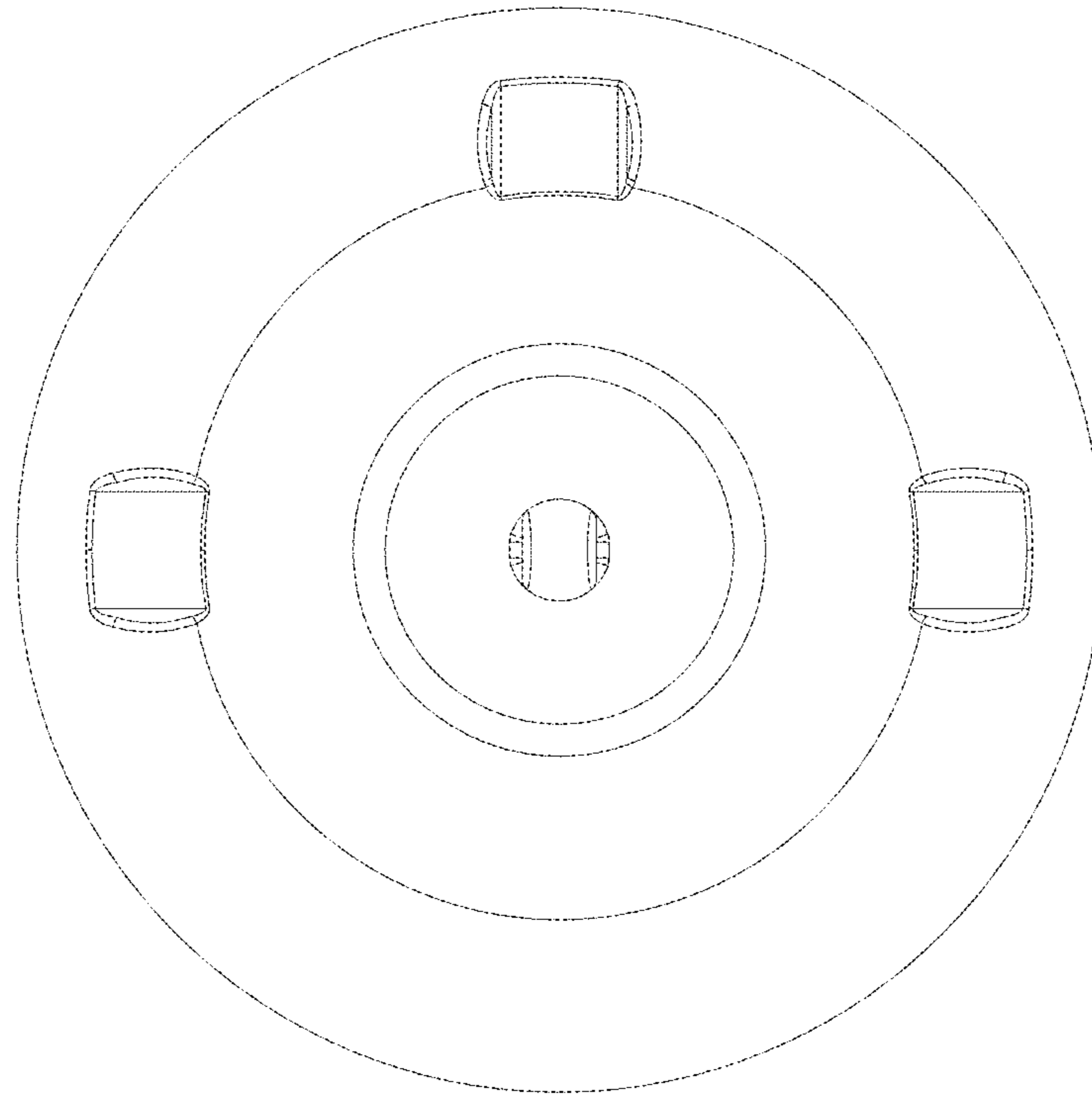


FIG. 7



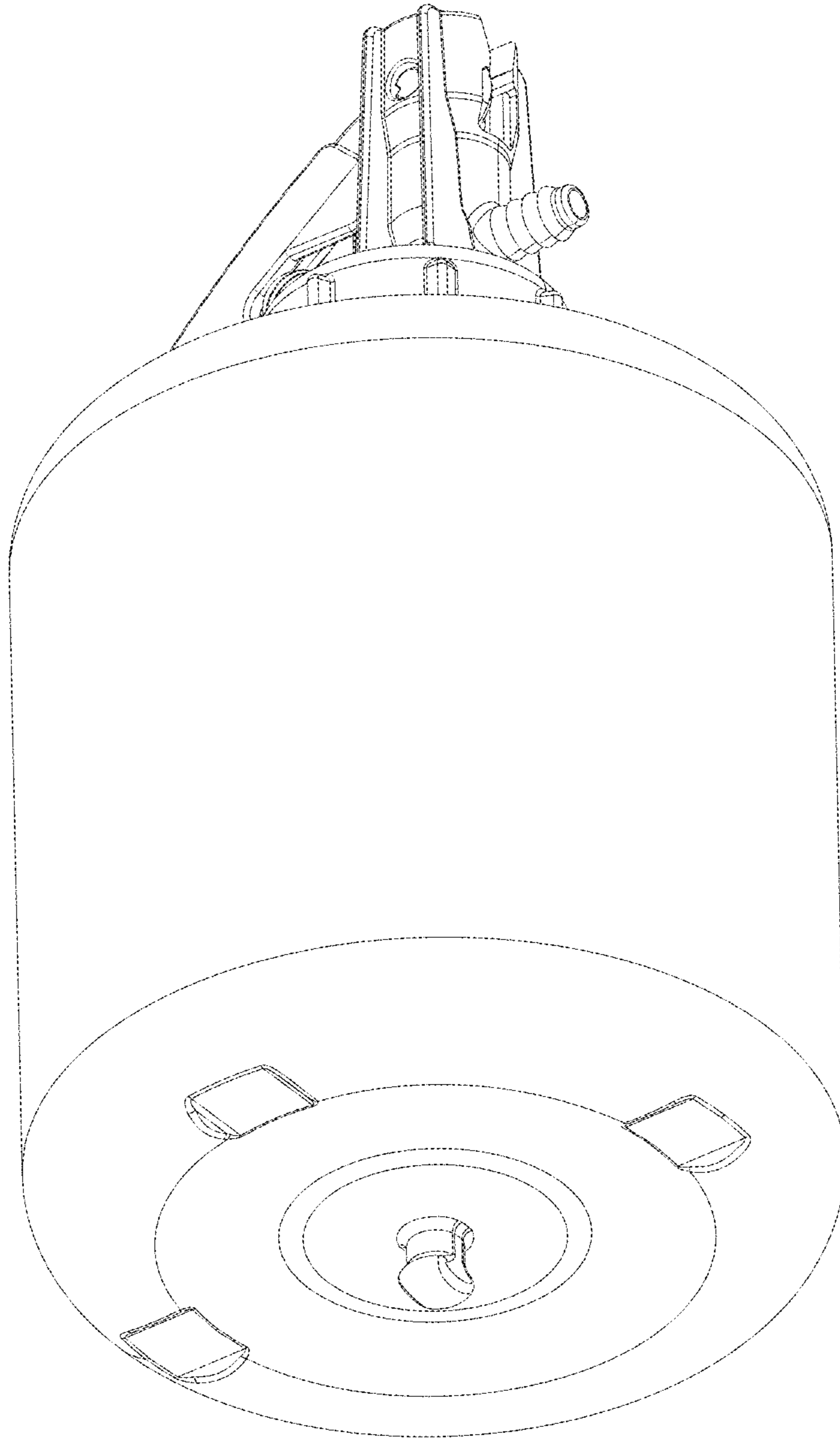


FIG. 8