



US00D881341S

(12) **United States Design Patent**
Garland

(10) **Patent No.:** **US D881,341 S**

(45) **Date of Patent:** **** Apr. 14, 2020**

(54) **FAUCET SPRAYHEAD**

(71) Applicant: **DELTA FAUCET COMPANY,**
Indianapolis, IN (US)

(72) Inventor: **Celine Kwok Garland,** Zionsville, IN
(US)

(73) Assignee: **DELTA FAUCET COMPANY,**
Indianapolis, IN (US)

(**) Term: **15 Years**

(21) Appl. No.: **29/642,349**

(22) Filed: **Mar. 29, 2018**

(51) **LOC (12) Cl.** **23-01**

(52) **U.S. Cl.**
USPC **D23/213**

(58) **Field of Classification Search**
USPC D23/213, 255, 257, 238, 249; 4/678
CPC E03C 1/0404; E03C 1/084; B05B 1/12;
B05B 1/169; B05B 1/185; B05B 1/1627;
B05B 1/16; B05B 1/30; B05B 1/1618
See application file for complete search history.

(56) **References Cited**

U.S. PATENT DOCUMENTS

| | | | | |
|--------------|---------|----------|-------|---------|
| D487,135 S * | 2/2004 | Lord | | D23/245 |
| D519,190 S * | 4/2006 | Lord | | D23/238 |
| D521,109 S * | 5/2006 | Lord | | D23/238 |
| D522,614 S * | 6/2006 | Ko | | D23/213 |
| D532,868 S * | 11/2006 | Spangler | | D23/238 |
| D535,357 S * | 1/2007 | Zhou | | D23/238 |
| D557,380 S * | 12/2007 | Shieh | | D23/238 |
| D580,022 S * | 11/2008 | Gilbert | | D23/255 |
| D580,023 S * | 11/2008 | Gilbert | | D23/255 |
| D583,015 S * | 12/2008 | Soriano | | D23/249 |
| D645,123 S * | 9/2011 | Corbett | | D23/255 |
| D655,398 S * | 3/2012 | Bosio | | D23/255 |
| D677,366 S * | 3/2013 | Chen | | D23/255 |

| | | | | |
|-------------------|---------|----------|-------|--------------------------|
| D701,942 S * | 4/2014 | Flowers | | D23/213 |
| D713,508 S * | 9/2014 | Downey | | D23/238 |
| D719,242 S * | 12/2014 | Kim | | D23/255 |
| D736,898 S * | 8/2015 | Garland | | D23/238 |
| D747,442 S * | 1/2016 | Mazz | | D23/238 |
| D754,301 S * | 4/2016 | Bahler | | D23/255 |
| D758,552 S * | 6/2016 | Rexach | | D23/255 |
| D797,240 S * | 9/2017 | Potter | | D23/238 |
| D797,257 S * | 9/2017 | Potter | | D23/255 |
| D802,091 S * | 11/2017 | Bahler | | D23/213 |
| D805,611 S * | 12/2017 | Rexach | | D23/257 |
| D807,989 S * | 1/2018 | Kaule | | D23/213 |
| D842,429 S * | 3/2019 | Huang | | D23/213 |
| D842,430 S * | 3/2019 | Huang | | D23/213 |
| D847,951 S * | 5/2019 | Zhang | | D23/238 |
| 2007/0252022 A1 * | 11/2007 | Benstead | | B05B 1/1618 239/590.5 |
| 2016/0136659 A1 * | 5/2016 | Erickson | | B05B 1/1618 239/443 |

* cited by examiner

Primary Examiner — Kevin K Rudzinski

(74) *Attorney, Agent, or Firm* — Edgar A. Zarins; Nirav D. Parikh

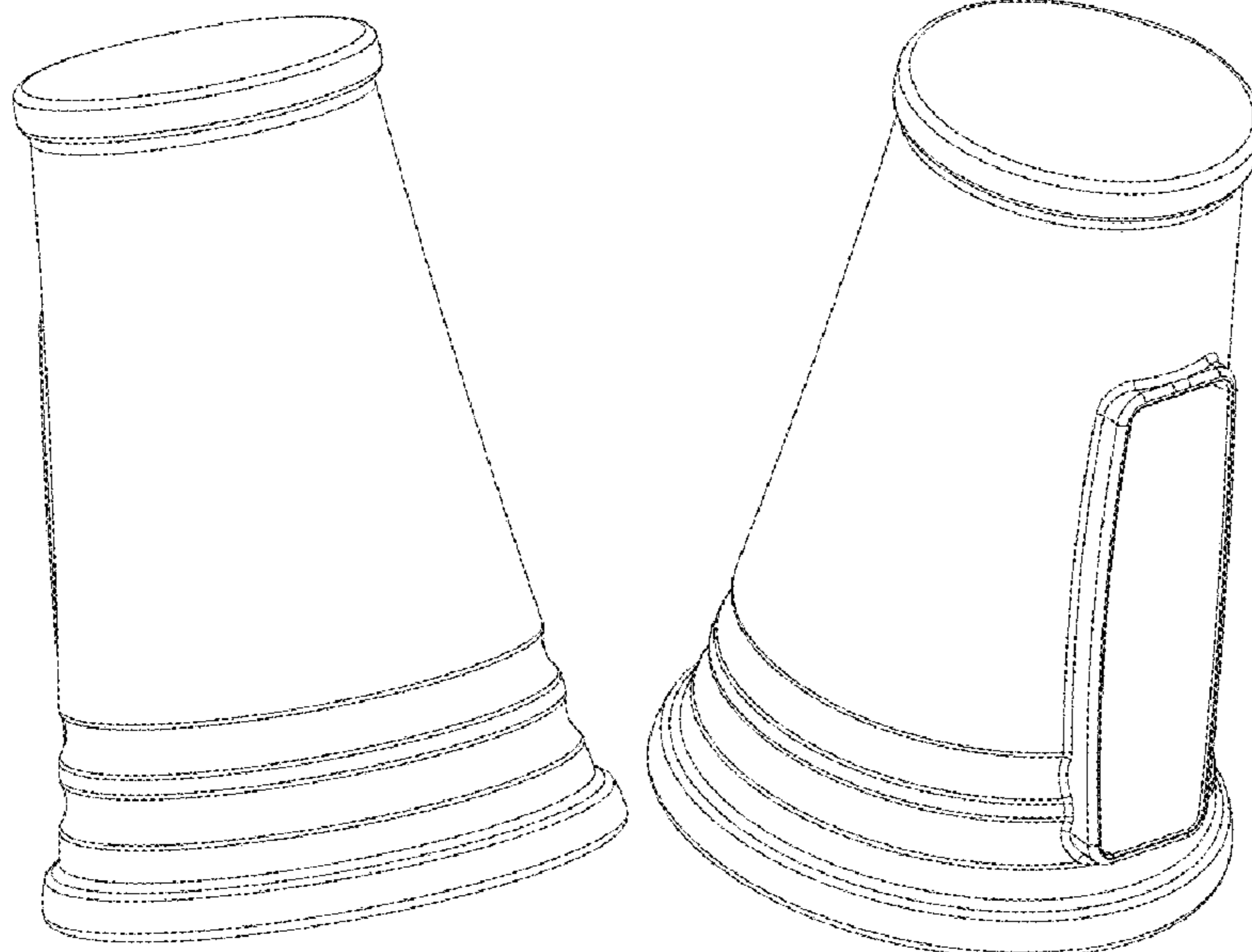
(57) **CLAIM**

The ornamental design for a faucet sprayhead, as shown and described.

DESCRIPTION

FIG. 1 is a first perspective view of a faucet sprayhead, showing my new design;
FIG. 2 is a second perspective view thereof;
FIG. 3 is a front elevational view thereof;
FIG. 4 is a left side view thereof;
FIG. 5 is a rear view thereof;
FIG. 6 is a right side view thereof;
FIG. 7 is a top plan view thereof; and,
FIG. 8 is a bottom view thereof.

1 Claim, 4 Drawing Sheets



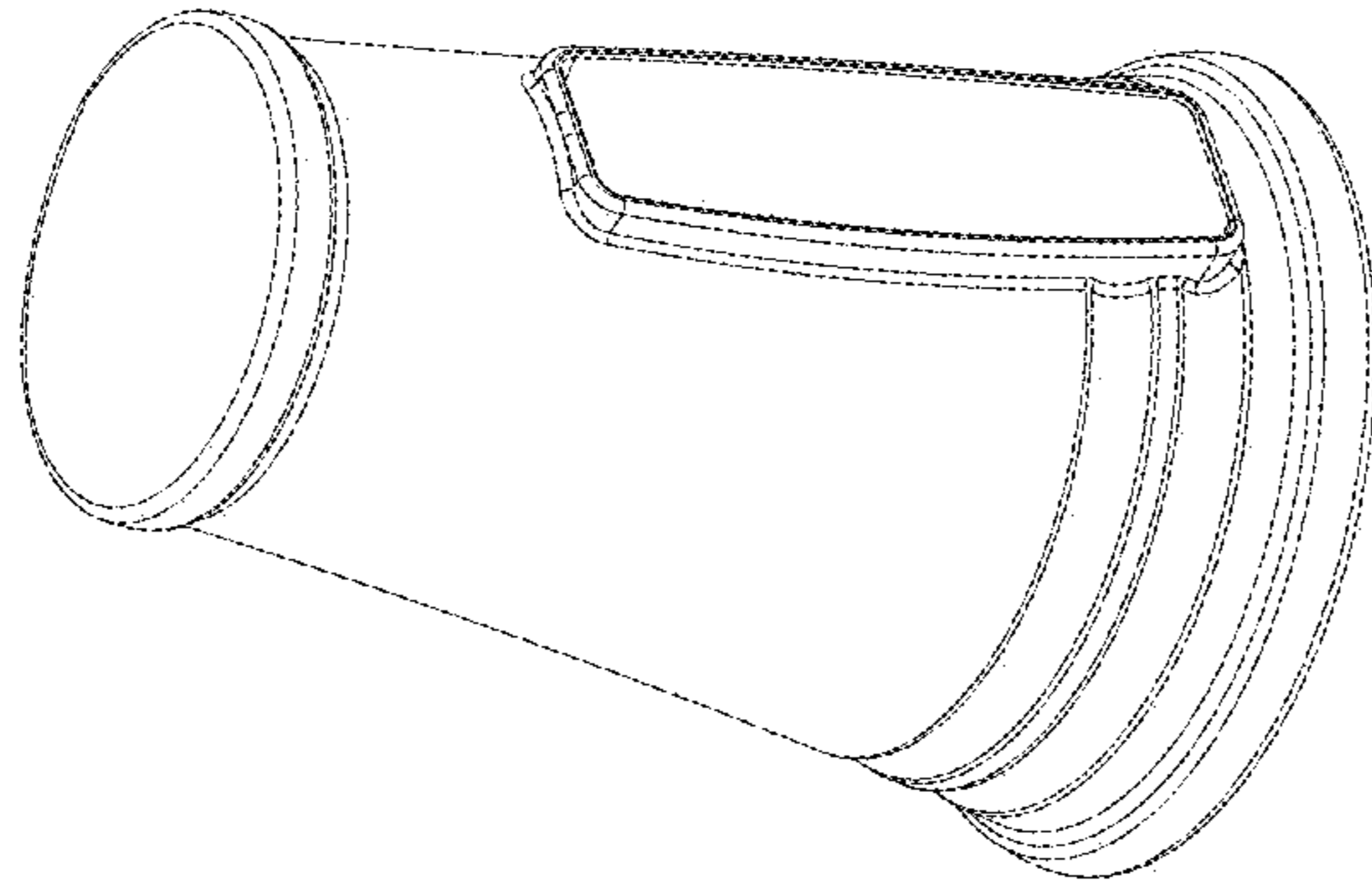


FIG - 2

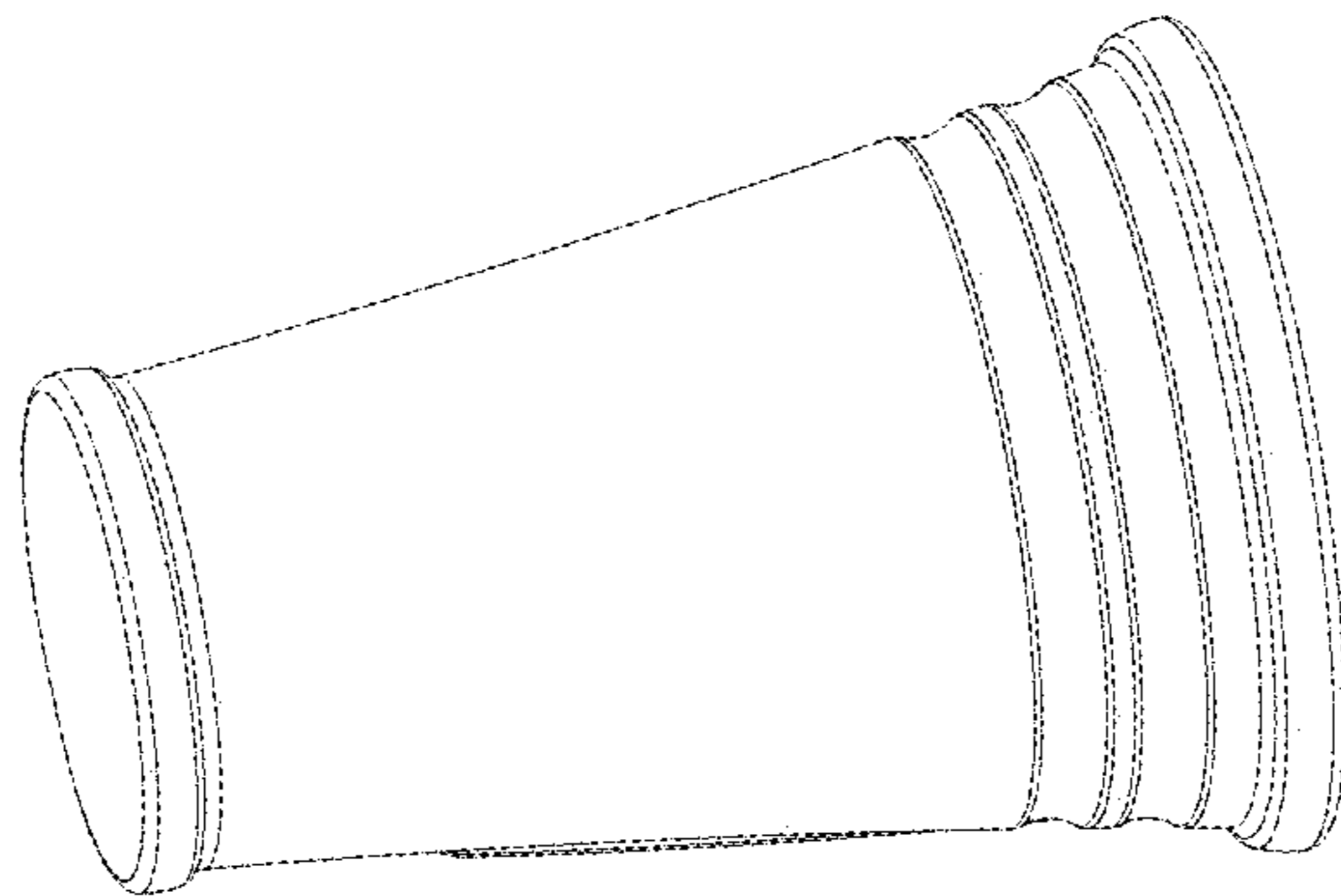


FIG - 1

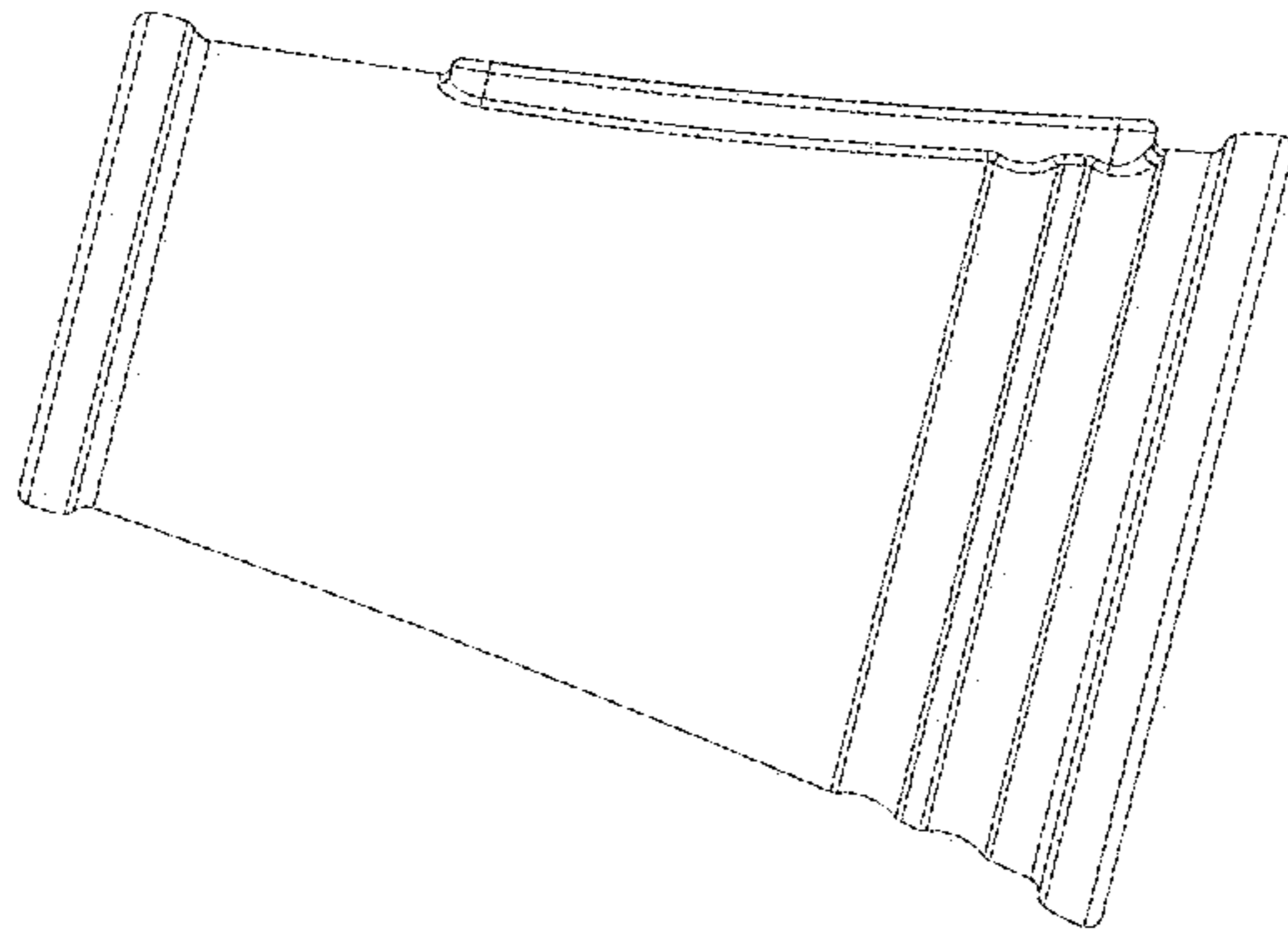


FIG - 4

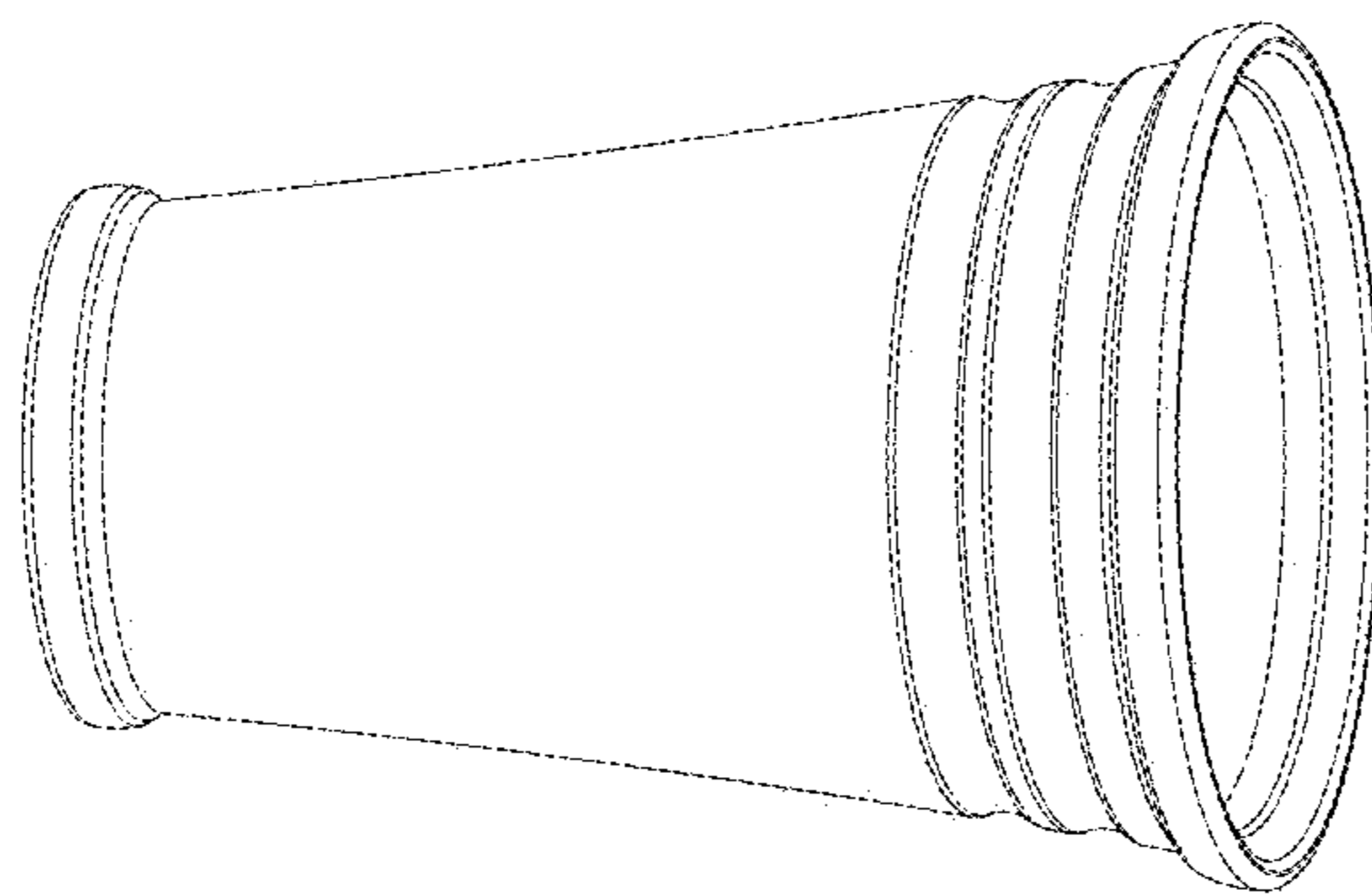


FIG - 3

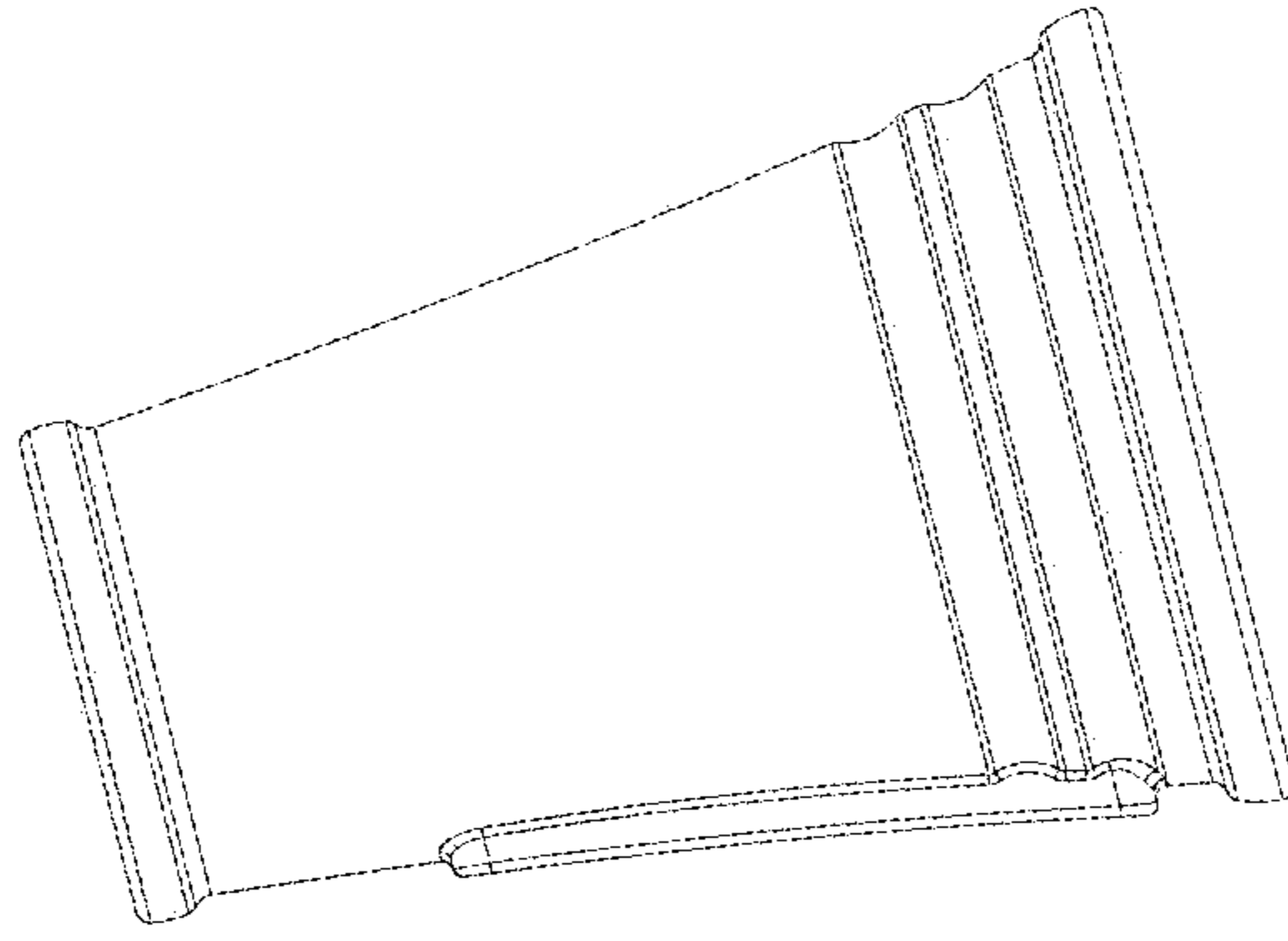


FIG - 6

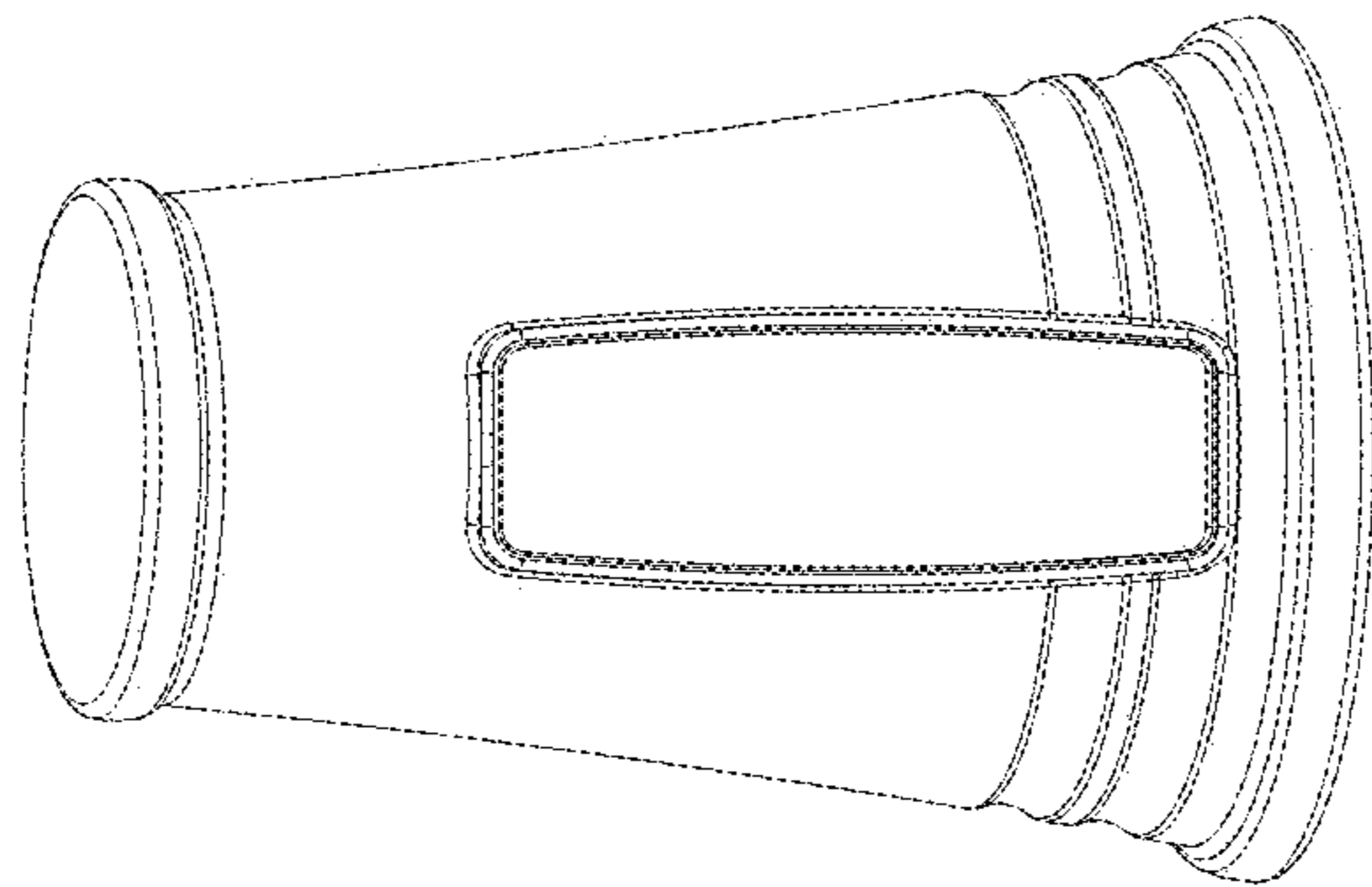


FIG - 5

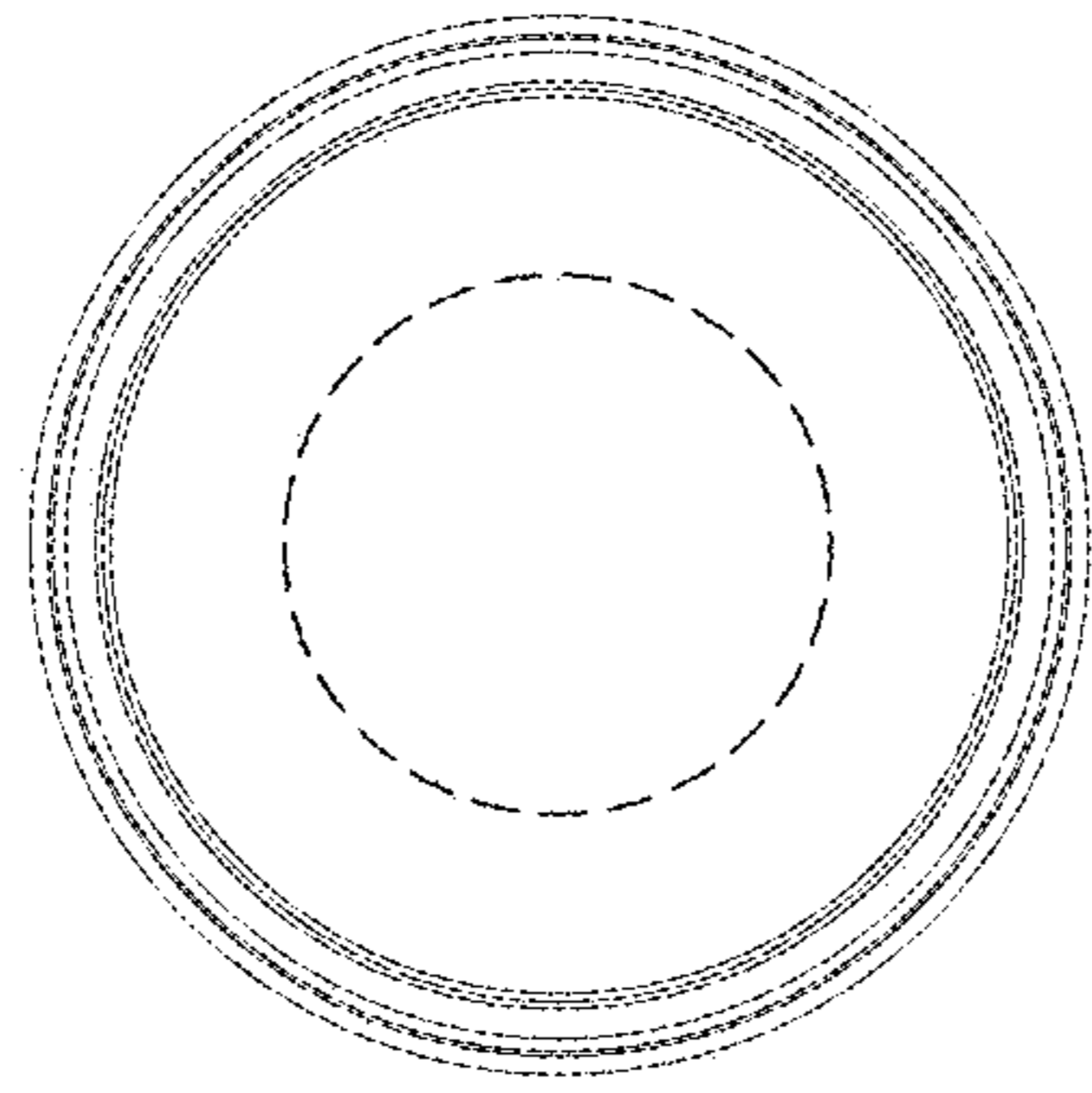


FIG - 8

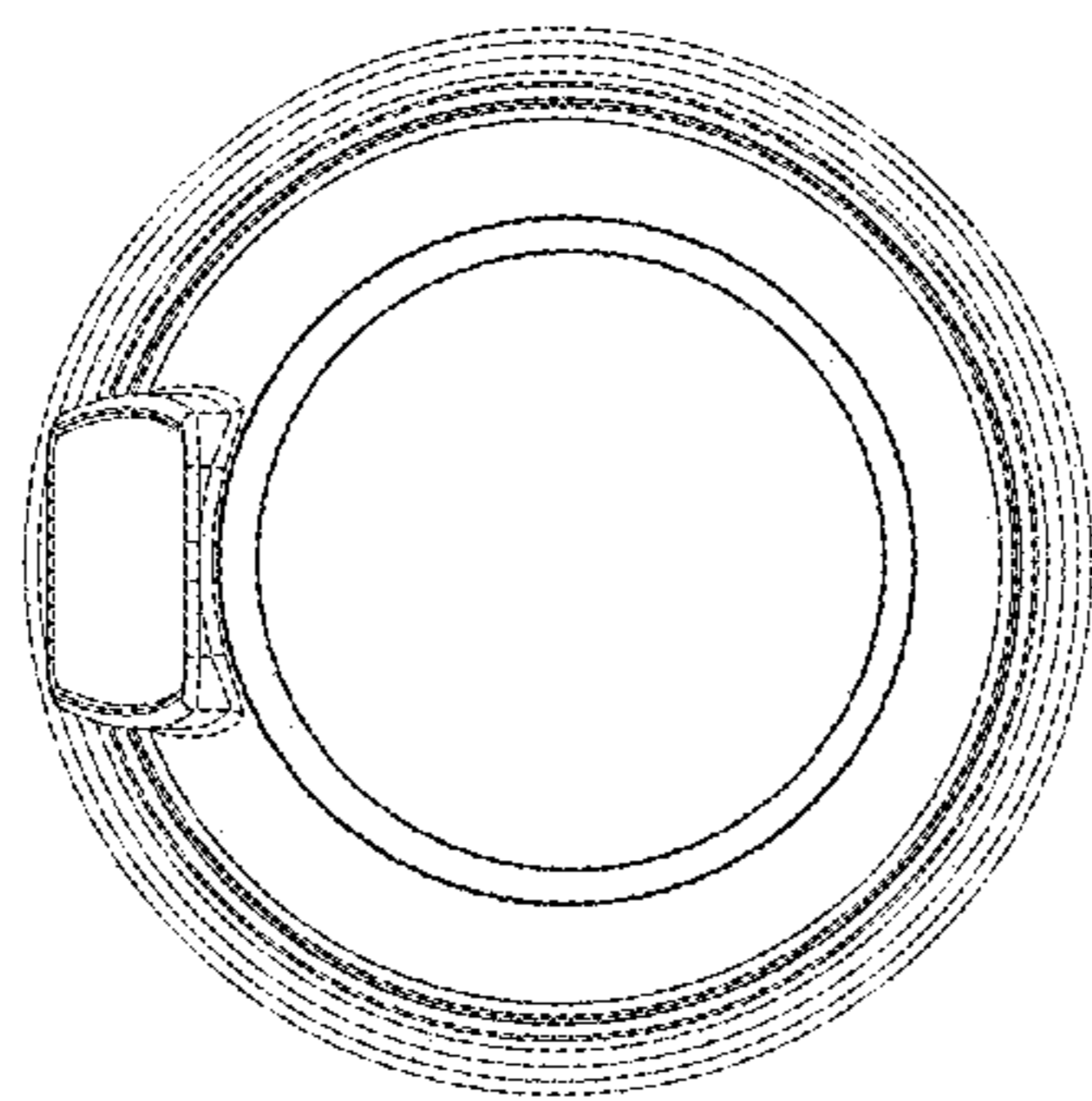


FIG - 7