



US00D881340S

(12) **United States Design Patent** (10) **Patent No.:** **US D881,340 S**
Winter et al. (45) **Date of Patent:** **** Apr. 14, 2020**

(54) **SHOWERHEAD AND ARM**

(71) Applicant: **Nebia Inc.**, San Francisco, CA (US)
(72) Inventors: **Philip V. Winter**, San Francisco, CA (US); **Carlos Gomez Andonaegui**, San Francisco, CA (US); **Gabriel Parisi-Amon**, San Francisco, CA (US); **Corey Lynn Murphey**, San Francisco, CA (US); **David Shulman**, San Francisco, CA (US); **Emilio Gomez Varela**, San Francisco, CA (US); **Bret Recor**, San Francisco, CA (US); **Seth Murray**, San Francisco, CA (US); **Merric French**, San Francisco, CA (US); **Diane Lee**, San Francisco, CA (US); **Andrew Windler**, San Francisco, CA (US); **Philippe Manoux**, San Francisco, CA (US); **Yoav Ben-Haim**, San Francisco, CA (US); **Matt Swinton**, San Francisco, CA (US)

(73) Assignee: **Nebia, Inc.**, San Francisco, CA (US)

(**) Term: **15 Years**

(21) Appl. No.: **29/632,707**

(22) Filed: **Jan. 9, 2018**

Related U.S. Application Data

(63) Continuation of application No. 29/573,935, filed on Aug. 10, 2016, now Pat. No. Des. 810,234.

(51) **LOC (12) Cl.** **23-01**

(52) **U.S. Cl.**
USPC **D23/213**

(58) **Field of Classification Search**
USPC D23/213, 223, 226, 228, 229, 230
CPC .. B05B 1/00; B05B 1/02; B05B 1/005; B05B 1/14; B05B 1/18; B05B 1/185
See application file for complete search history.

(56) **References Cited**

U.S. PATENT DOCUMENTS

D357,972 S *	5/1995	Huen	D23/223
D383,883 S *	9/1997	Langley	D23/214
D398,370 S *	9/1998	Purdy	D23/213
D464,108 S *	10/2002	Lord	D23/213
D471,953 S *	3/2003	Colligan	D23/213

(Continued)

Primary Examiner — Kevin K Rudzinski
(74) *Attorney, Agent, or Firm* — Run8 Patent Group, LLC; Peter Miller

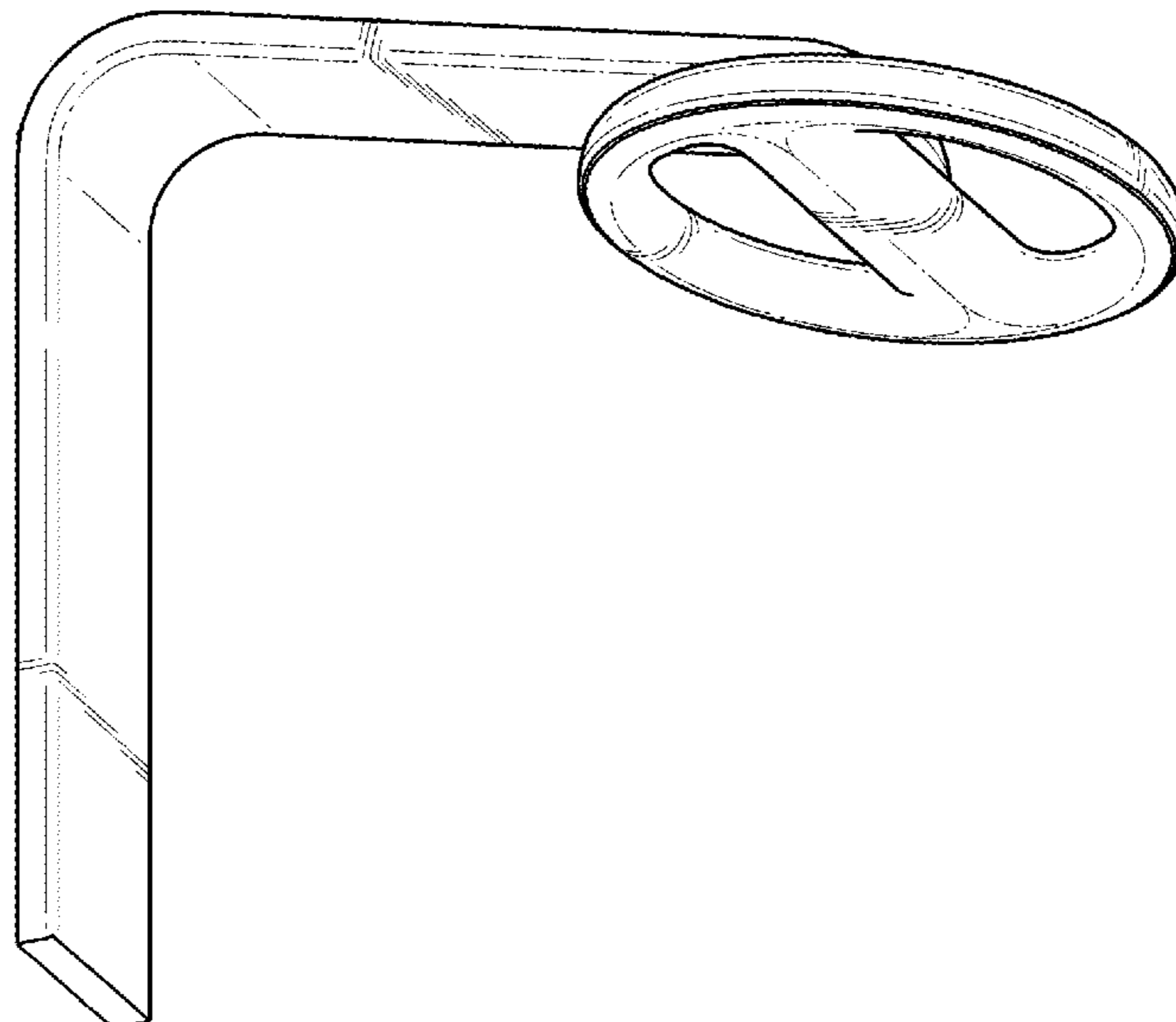
(57) **CLAIM**

We claim the ornamental design for a showerhead and arm, as shown and described.

DESCRIPTION

FIG. 1 is a left elevation view of a showerhead and arm. FIG. 2 is an upper-right-front perspective view of the showerhead and arm. FIG. 3 is a bottom plan view of the showerhead and arm. FIG. 4 is a top view of the showerhead and arm. FIG. 5 is a front elevation view of the showerhead and arm in the neutral position. FIG. 6 is a rear elevation view of the showerhead and arm. FIG. 7 is a lower-left-front perspective view of the showerhead and arm. FIG. 8 is a left elevation view of the showerhead and arm with the showerhead tilted outwardly; and, FIG. 9 is an upper-right-front perspective view of the showerhead and arm with the showerhead tilted outwardly. Some broken lines shown in the FIGURES depict environmental structure. Other broken lines shown in the FIGURES depict alternative surfaces of portions of the showerhead and arm. However, no broken line shown in the FIGURES forms any part of the design claimed in the instant Application.

1 Claim, 7 Drawing Sheets



(56)

References Cited

U.S. PATENT DOCUMENTS

D475,433	S *	6/2003	Citterio	D23/213
D495,778	S *	9/2004	Jorgensen	D23/213
D512,120	S *	11/2005	Haug	D23/213
D523,520	S *	6/2006	Theberge	D23/213
D524,406	S *	7/2006	Hoernig	D23/213
D556,855	S *	12/2007	Mullenmeister	D23/213
D565,155	S *	3/2008	Mullenmeister	D23/229
D580,010	S *	11/2008	Lee	D23/213
D612,008	S *	3/2010	Schoenherr	D23/213
D678,463	S *	3/2013	Quinn	D23/213
D678,467	S *	3/2013	Quinn	D23/223
D687,924	S *	8/2013	Newson	D23/213
D711,506	S *	8/2014	Wolff	D23/213
D723,137	S *	2/2015	Nikles	D23/223
D737,932	S *	9/2015	Nikles	D23/223
D751,173	S *	3/2016	Bahler	D23/213
9,326,484	B2 *	5/2016	Allen	A01K 13/001
D761,935	S *	7/2016	McCutcheon	D23/213
D810,234	S *	2/2018	Winter	D23/213
D832,398	S *	10/2018	Lin	D23/223
2013/0299608	A1 *	11/2013	Spangler	B05B 1/08 239/444

* cited by examiner

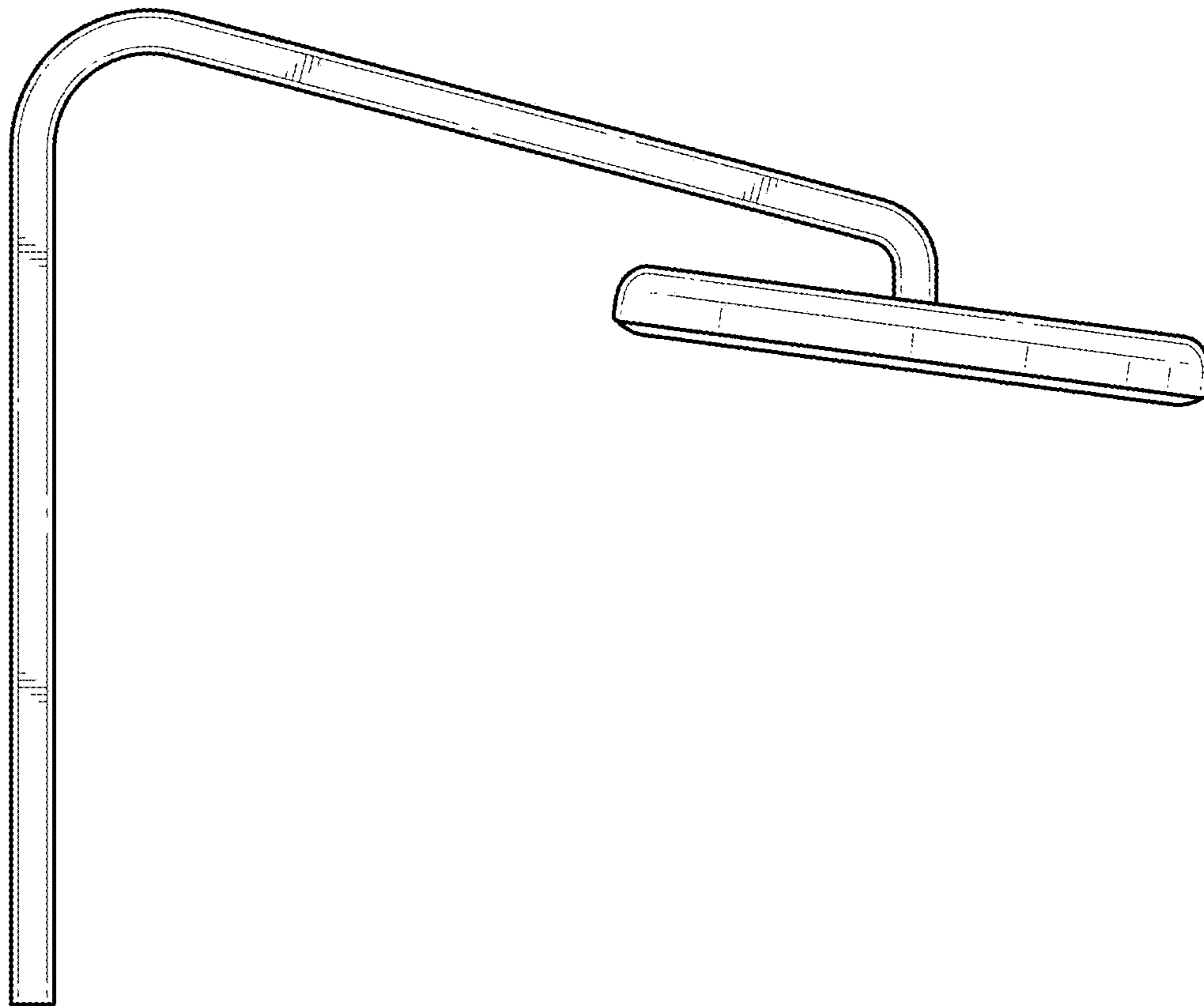


FIG. 1

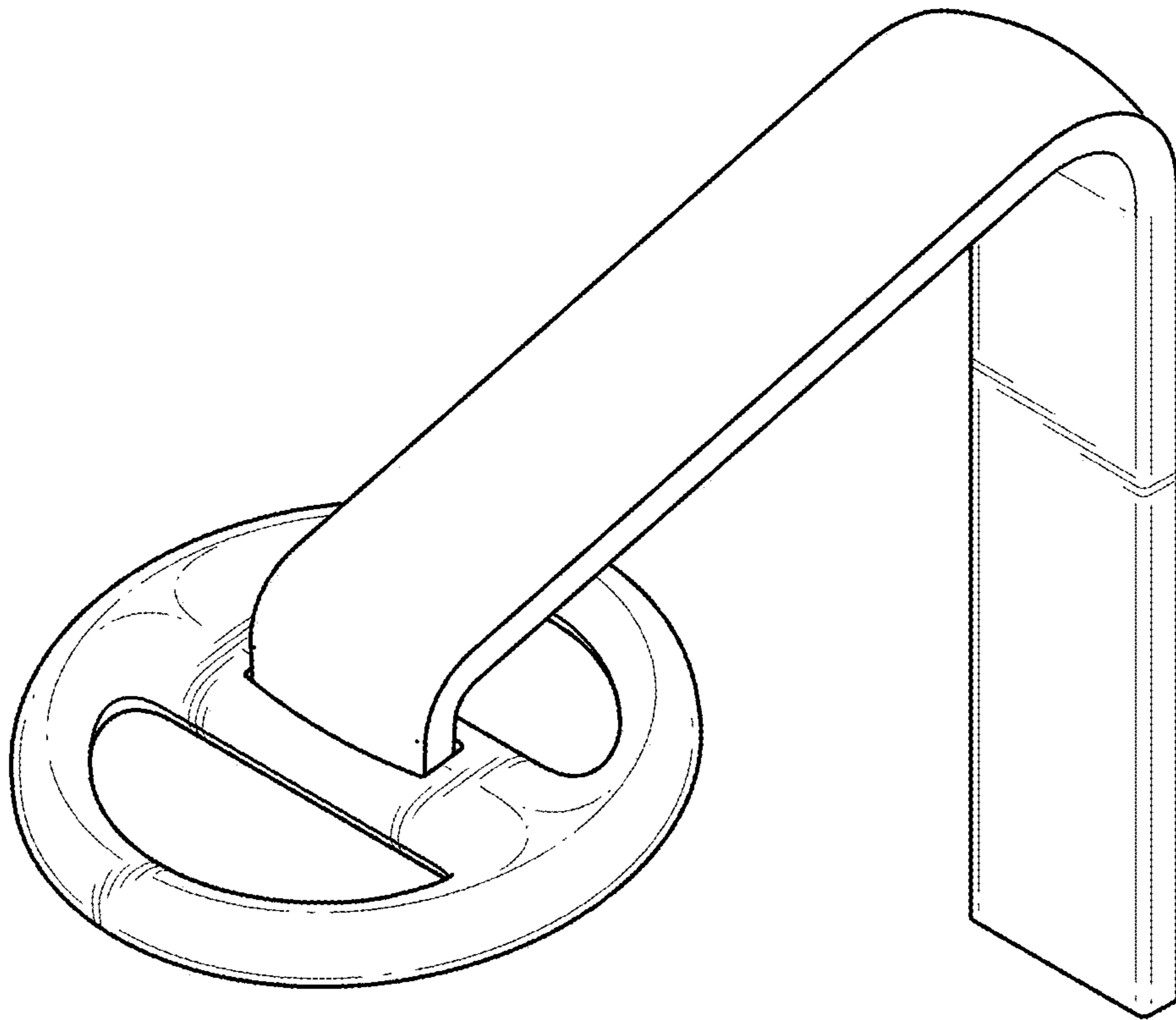


FIG. 2

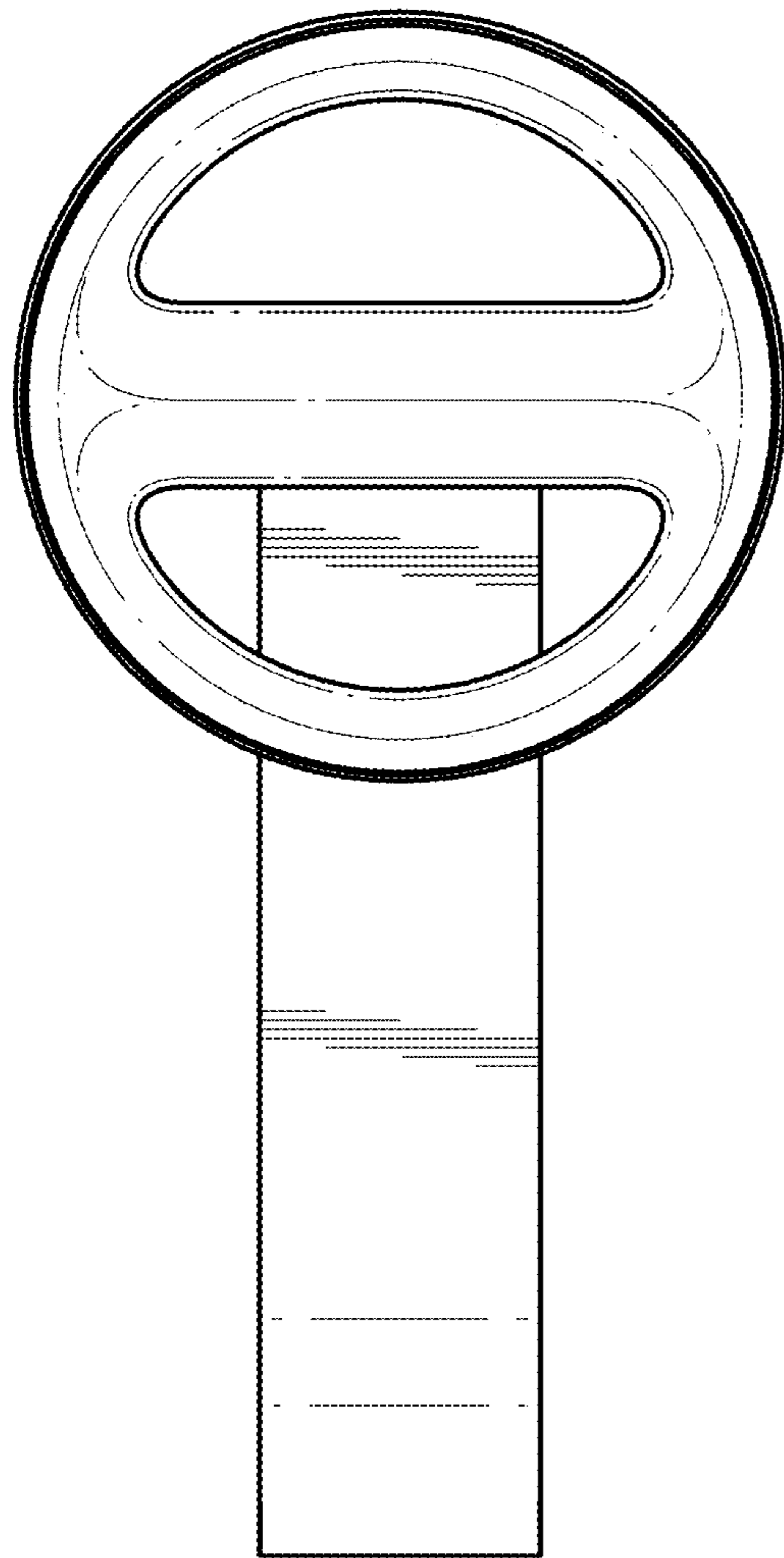


FIG. 3

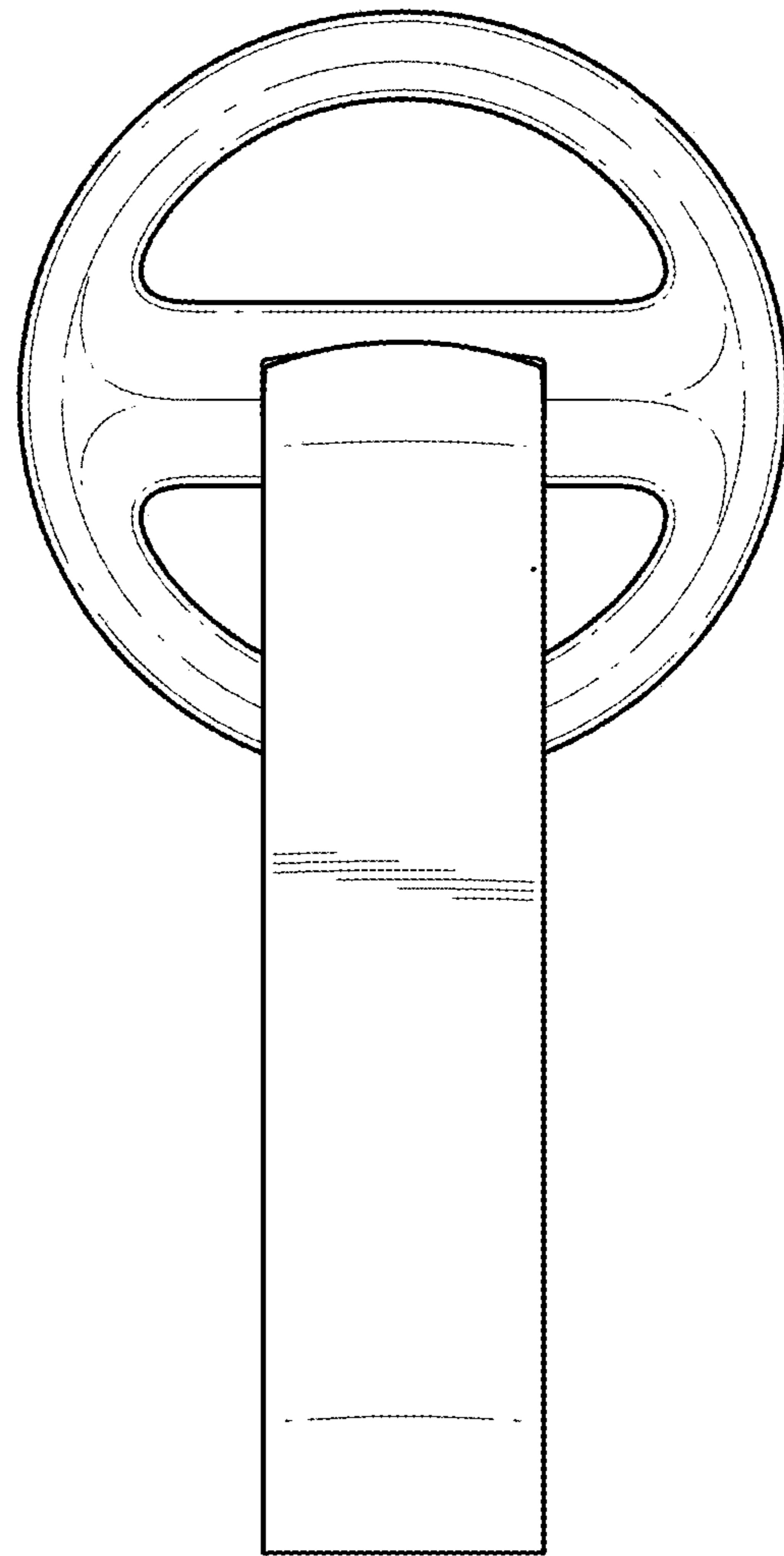


FIG. 4

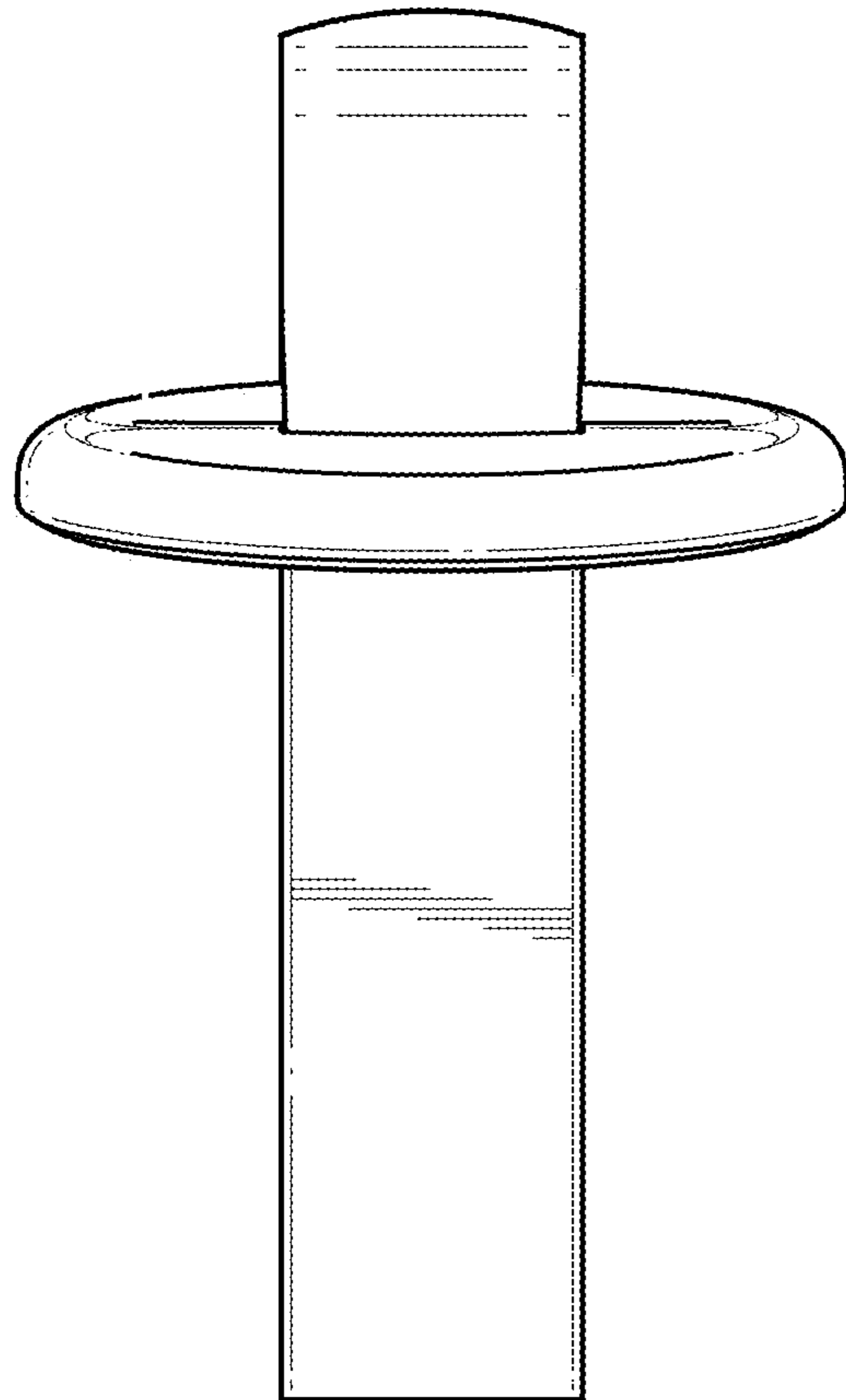


FIG. 5

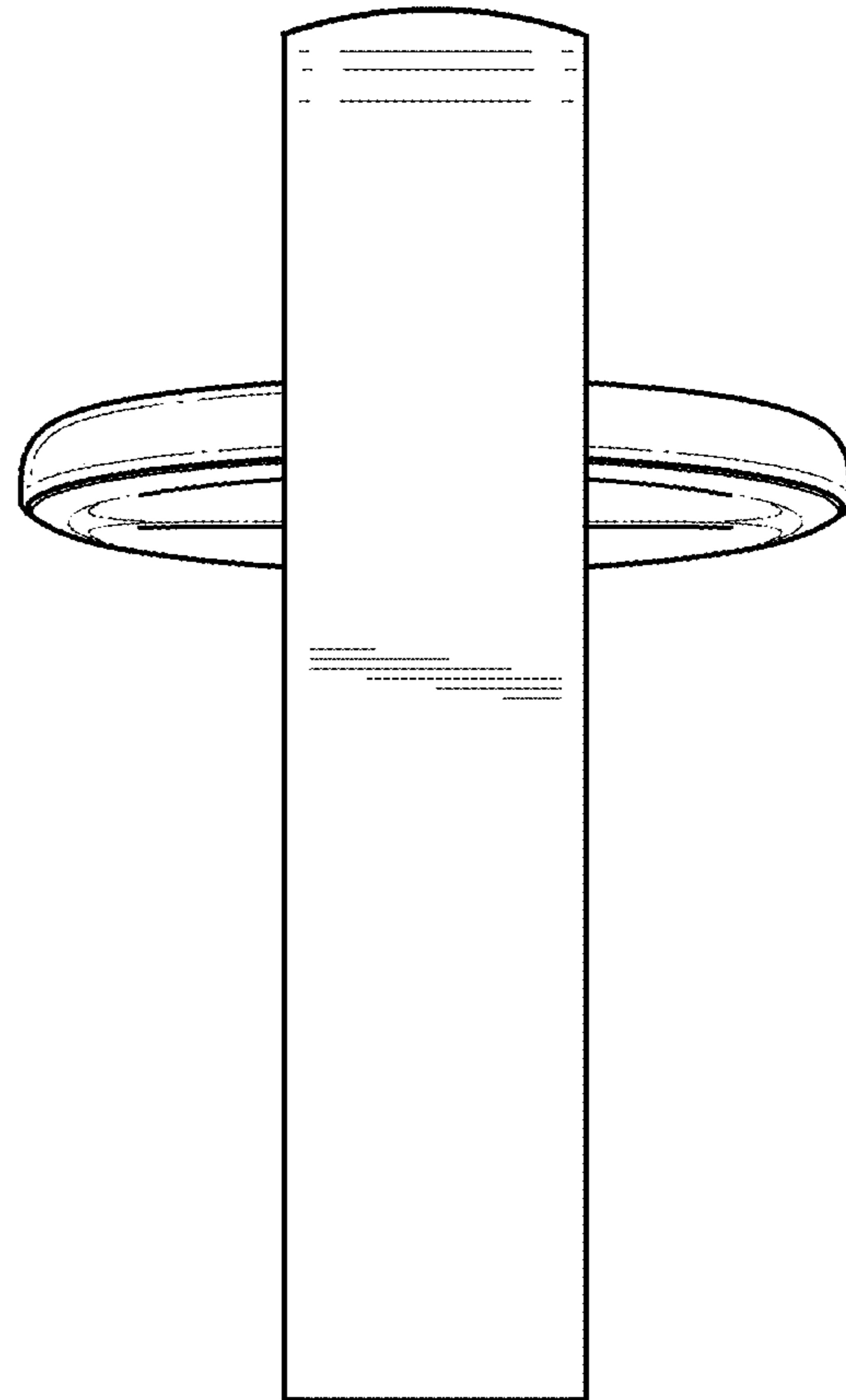


FIG. 6

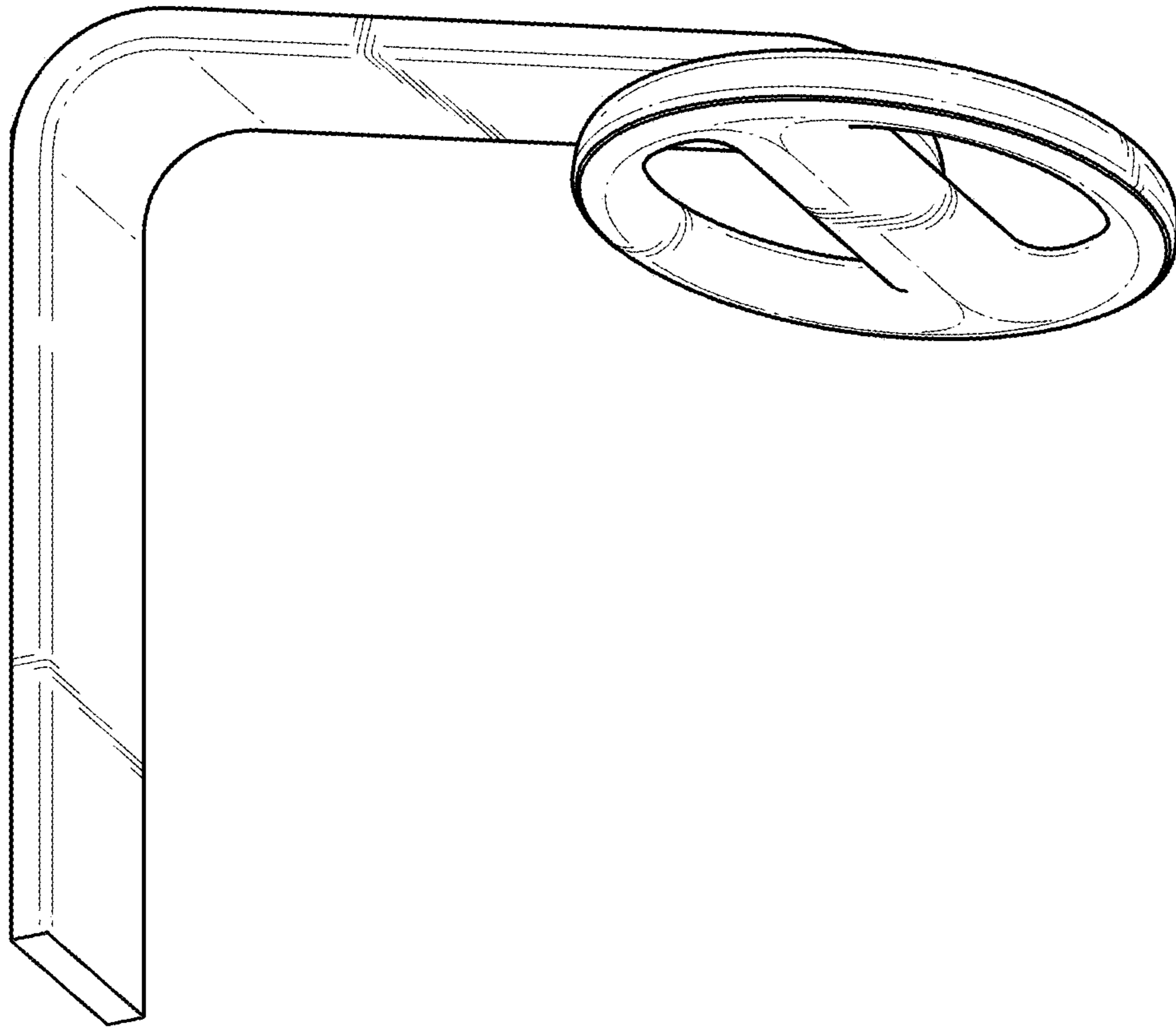


FIG. 7

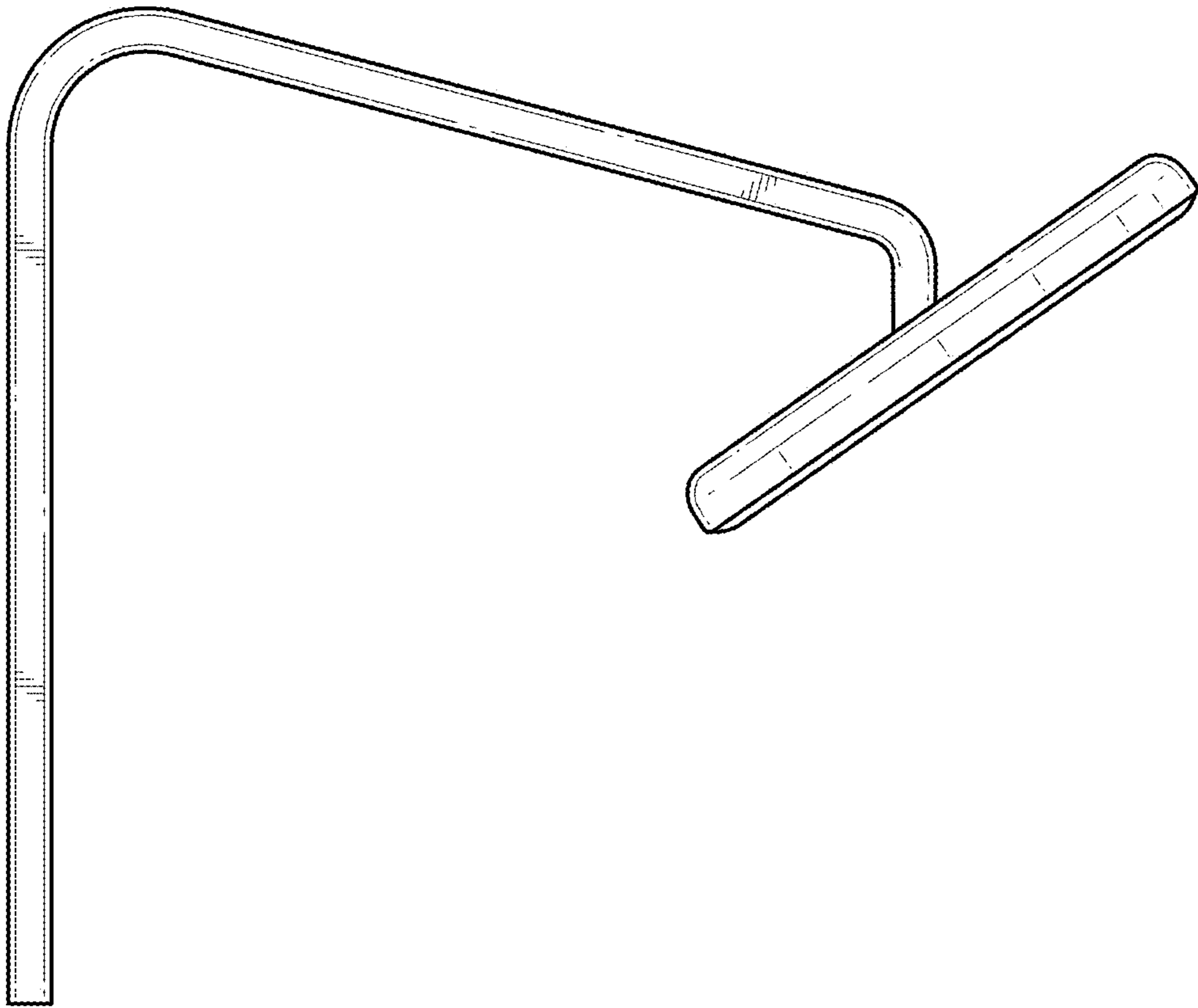


FIG. 8

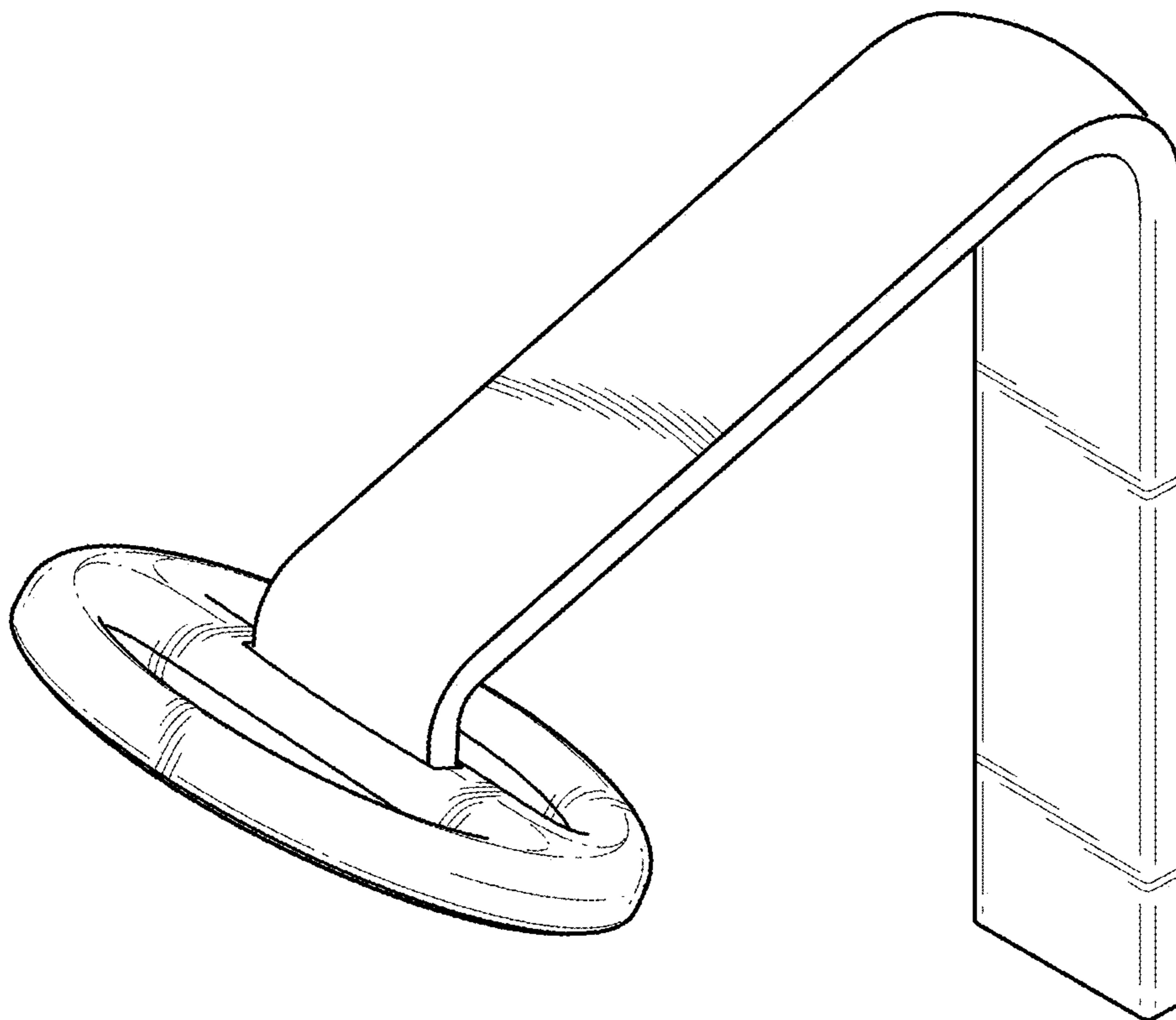


FIG. 9