



US00D881339S

(12) **United States Design Patent**
Coelho et al.

(10) **Patent No.:** **US D881,339 S**
(45) **Date of Patent:** **** Apr. 14, 2020**

(54) **OUTER FILTER ELEMENT**

(71) Applicant: **Master Spas, Inc.**, Fort Wayne, IN (US)

(72) Inventors: **Nathan Coelho**, Leo, IN (US); **Michael Davenport**, Fort Wayne, IN (US)

(73) Assignee: **Master Spas, Inc.**, Fort Wayne, IN (US)

(**) Term: **15 Years**

(21) Appl. No.: **29/700,712**

(22) Filed: **Aug. 5, 2019**

Related U.S. Application Data

(60) Continuation of application No. 29/668,453, filed on Oct. 30, 2018, now Pat. No. Des. 855,755, which is a division of application No. 29/581,857, filed on Oct. 22, 2016, now Pat. No. Des. 835,233.

(51) **LOC (12) Cl.** **23-01**

(52) **U.S. Cl.**
USPC **D23/209**

(58) **Field of Classification Search**
USPC D23/209, 207; 210/440; 285/360–361
CPC B01D 35/30; B01D 35/153; B01D 35/157;
B01D 27/00; B01D 27/08
See application file for complete search history.

(56) **References Cited**

U.S. PATENT DOCUMENTS

D825,029 S * 8/2018 Goldman D23/209
D827,086 S * 8/2018 Bell D23/209
D855,755 S * 8/2019 Coelho D23/209
2018/0112429 A1 * 4/2018 Coelho C02F 1/001

* cited by examiner

Primary Examiner — Barbara Fox

Assistant Examiner — J. Thorn, Sr.

(74) *Attorney, Agent, or Firm* — Kaplan Breyer Schwarz, LLP

(57) **CLAIM**

The ornamental design for an outer filter element, as shown and described.

DESCRIPTION

FIG. 1 is a top front right perspective view of a first embodiment of an outer filter element showing the new design;

FIG. 2 is a top front right perspective view of the outer filter element with an inner filter element of the filter being removed or inserted from the outer filter element thereof;

FIG. 3 is a bottom rear left perspective view thereof;

FIG. 4 is a front elevational view thereof;

FIG. 5 is a rear elevational view thereof;

FIG. 6 is a left elevational view thereof;

FIG. 7 is a right elevational view thereof;

FIG. 8 is a top plan view thereof;

FIG. 9 is a bottom plan view thereof;

FIG. 10 is a top front right perspective view of the outer filter element of FIG. 1, shown in a second embodiment;

FIG. 11 is a top front right perspective view of the outer filter element with an inner filter element of the filter being removed or inserted from the outer filter element thereof;

FIG. 12 is a bottom rear left perspective view thereof;

FIG. 13 is a front elevational view thereof;

FIG. 14 is a rear elevational view thereof;

FIG. 15 is a left elevational view thereof;

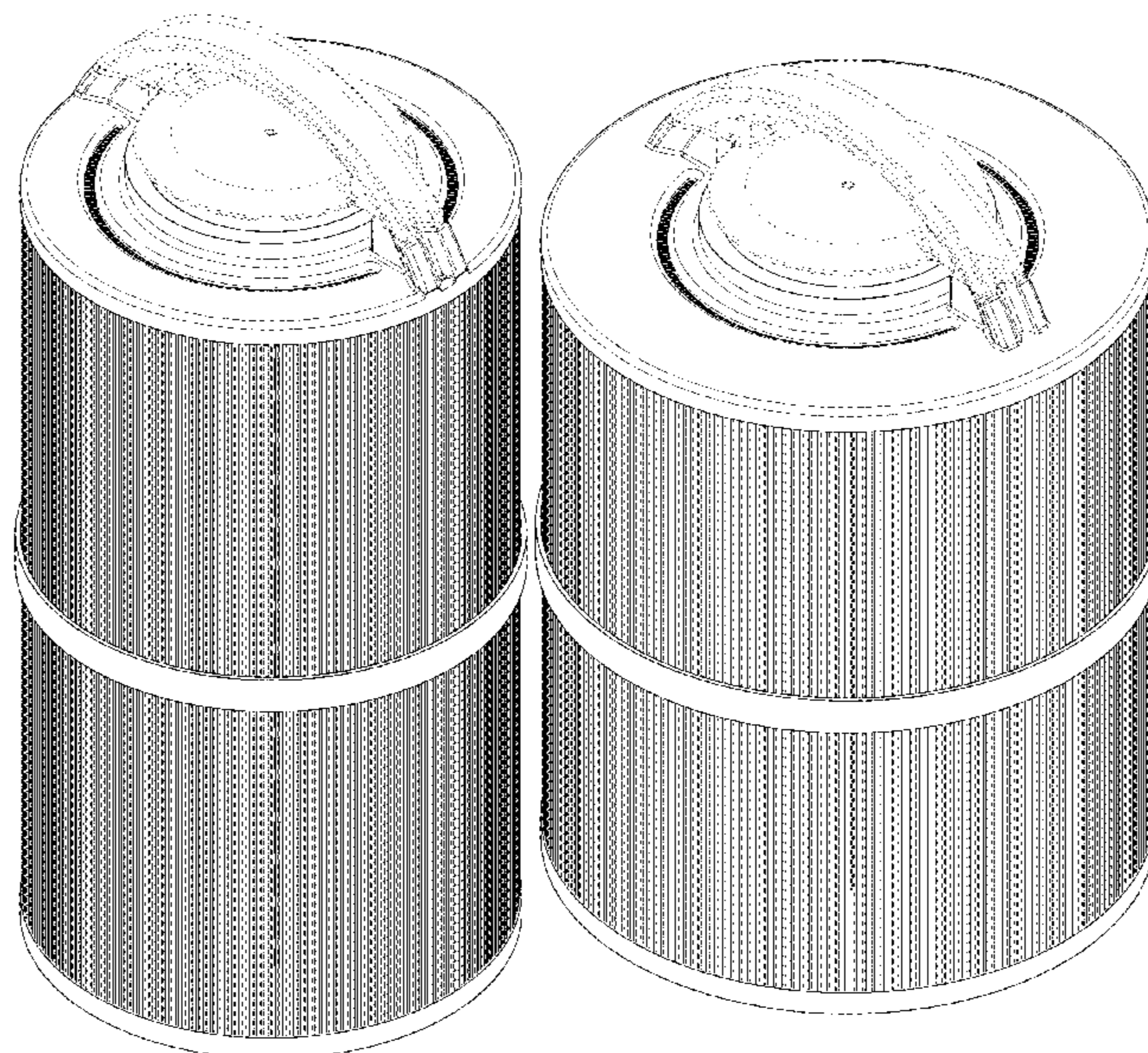
FIG. 16 is a right elevational view thereof;

FIG. 17 is a top plan view thereof; and,

FIG. 18 is a bottom plan view thereof.

The broken lines shown in the drawings depict portions of the outer filter element that form no part of the claimed design.

1 Claim, 16 Drawing Sheets



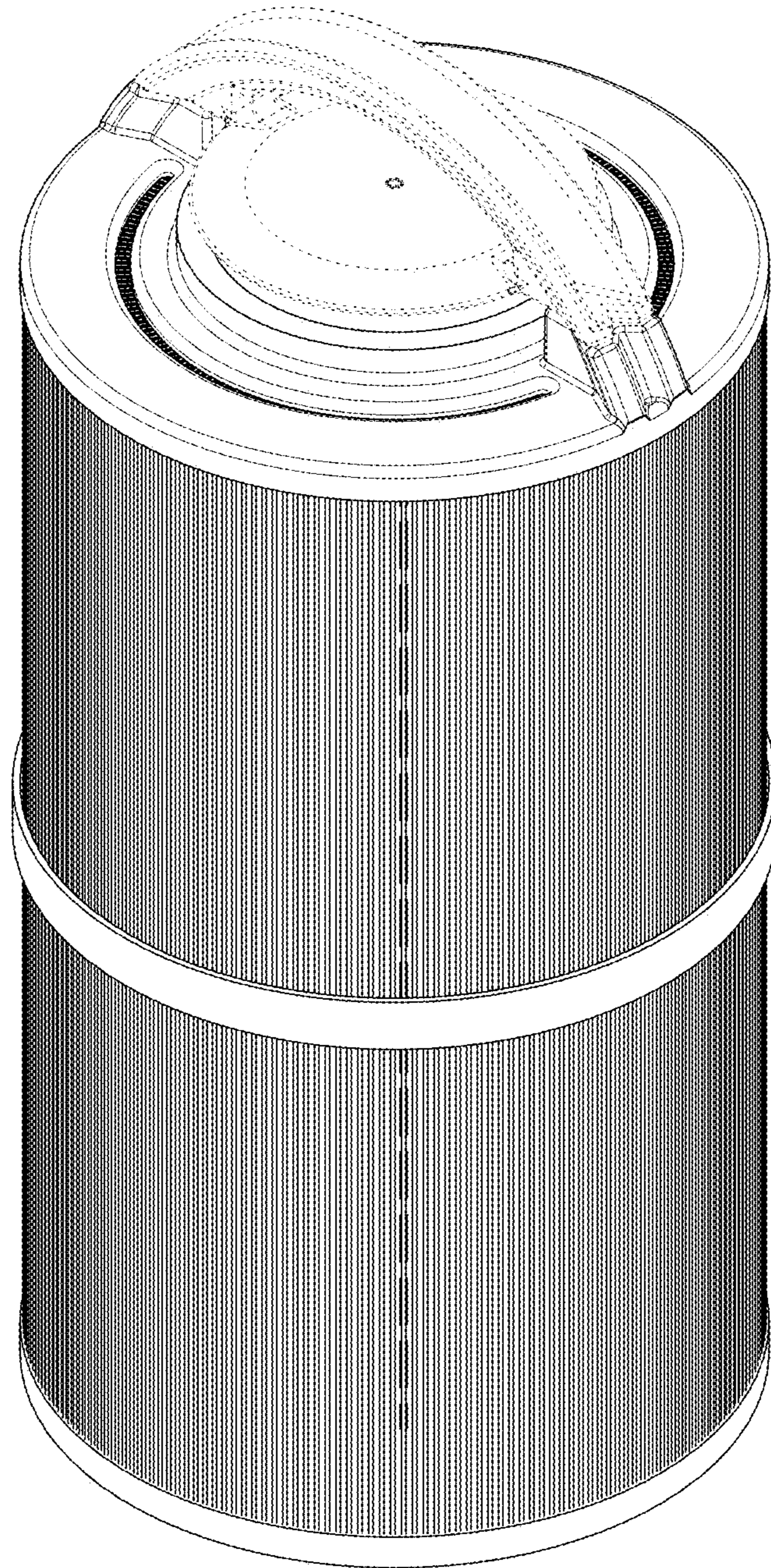


FIG. 1

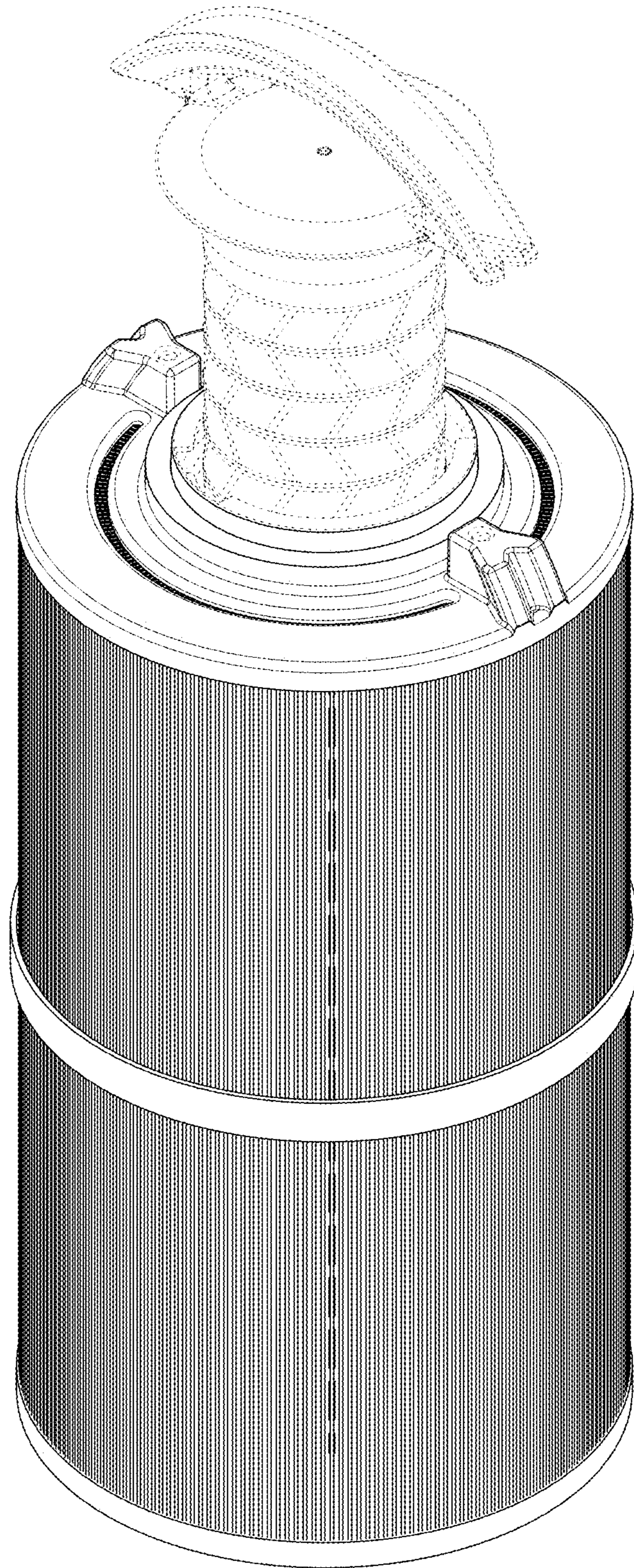


FIG. 2

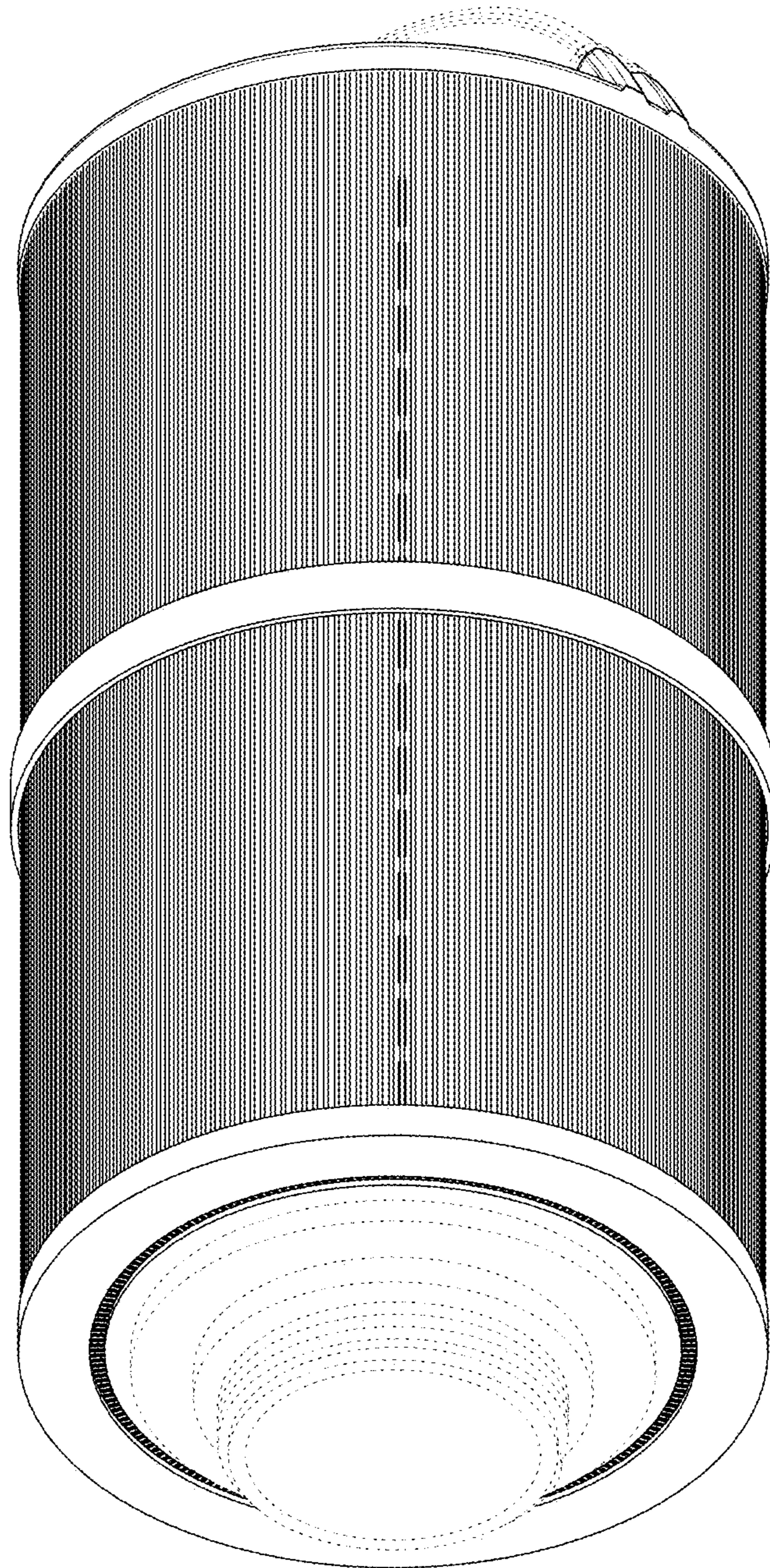


FIG. 3

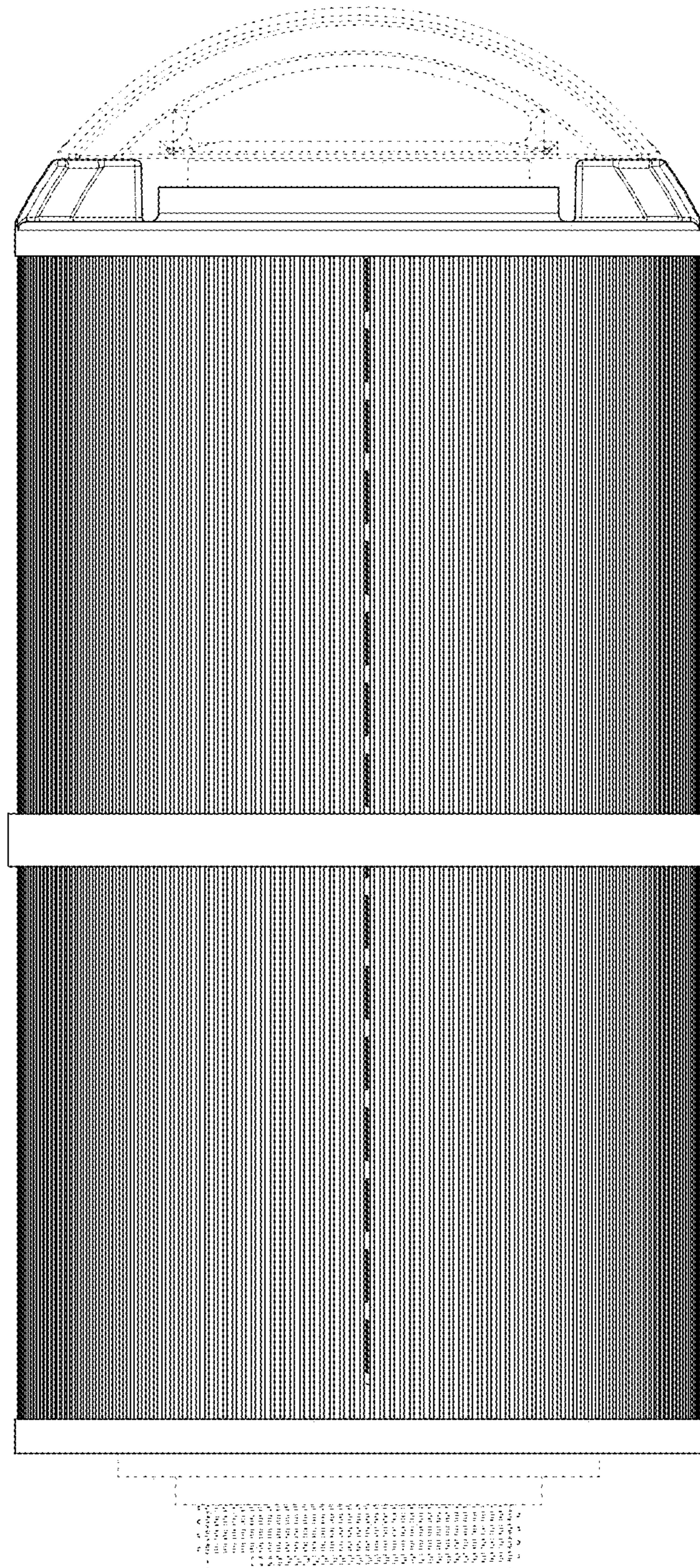


FIG. 4

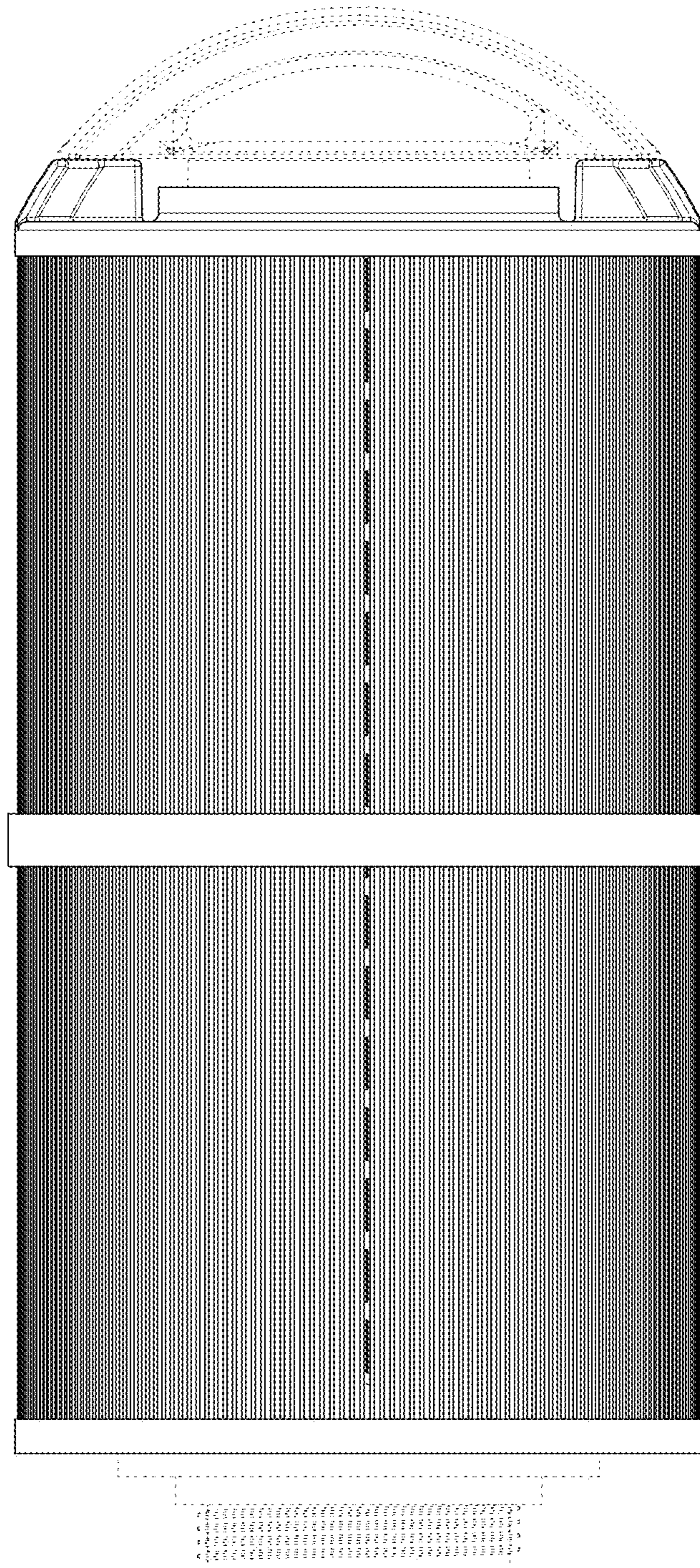


FIG. 5

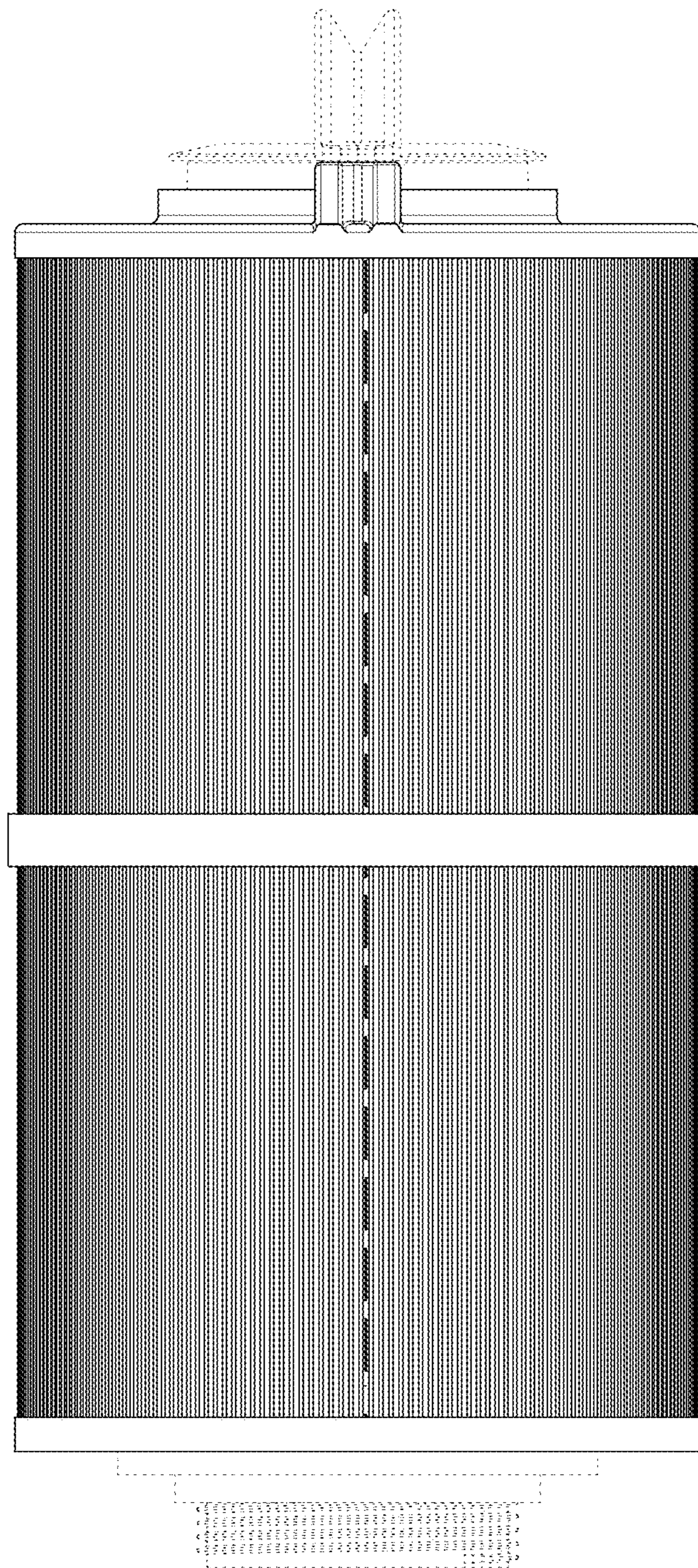


FIG. 6

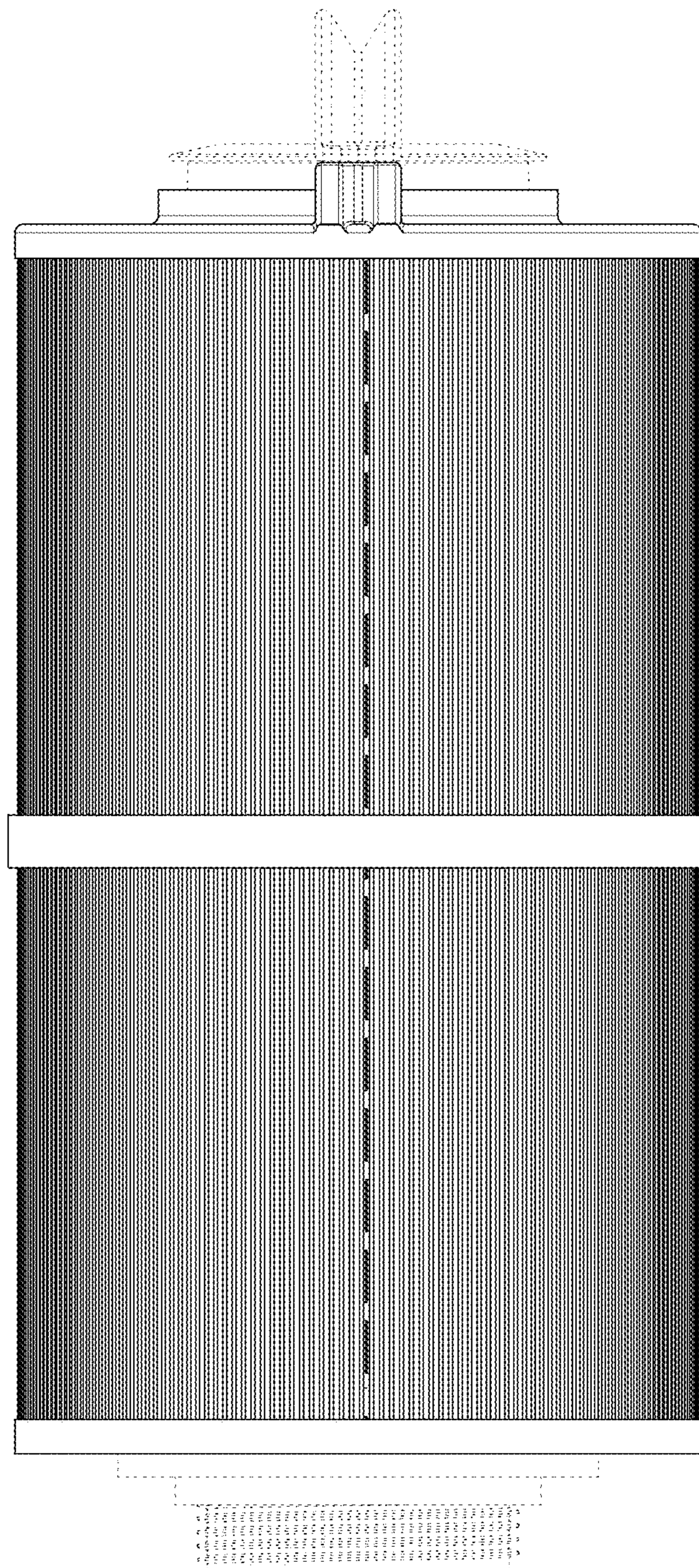


FIG. 7

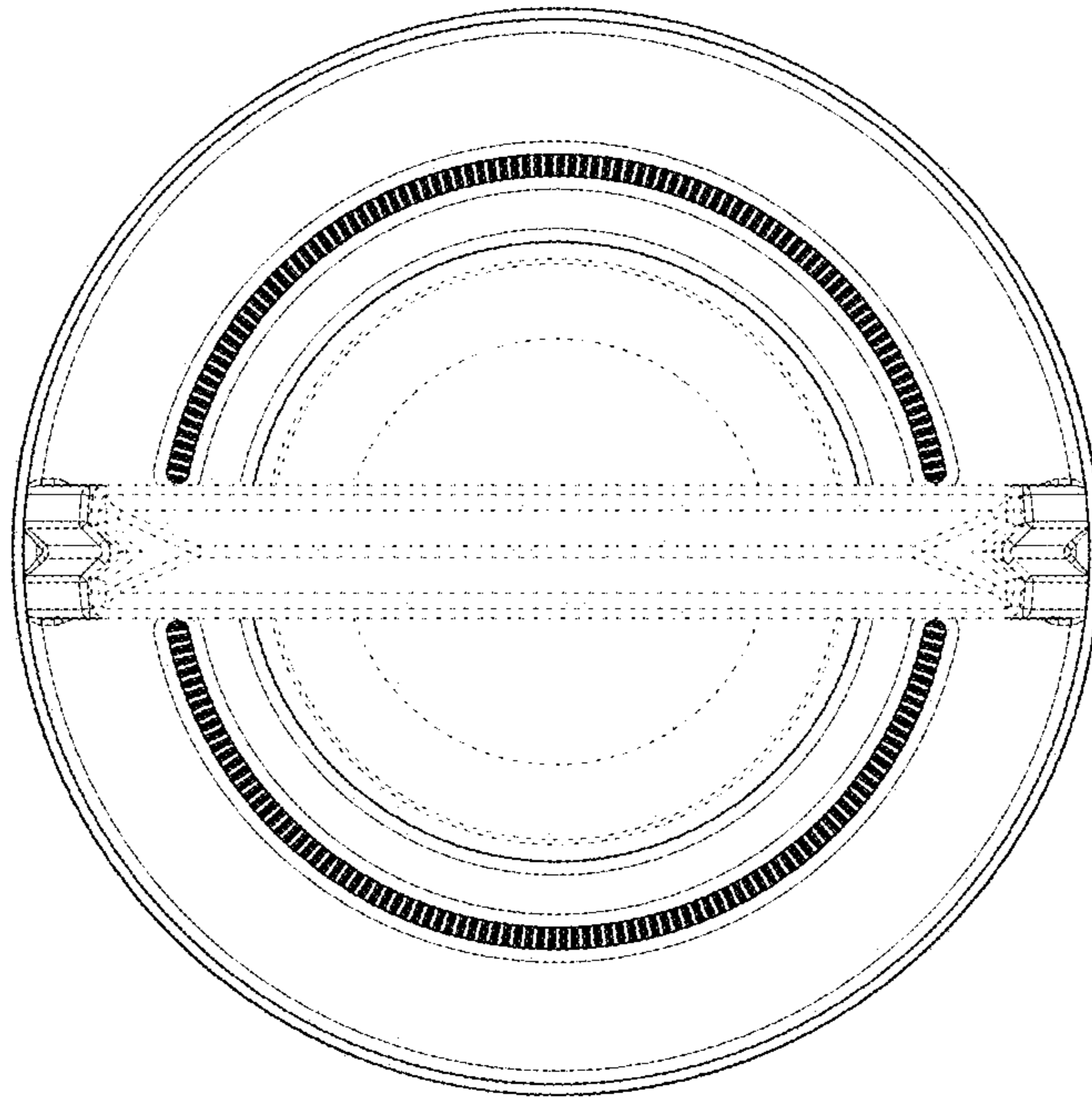


FIG. 8

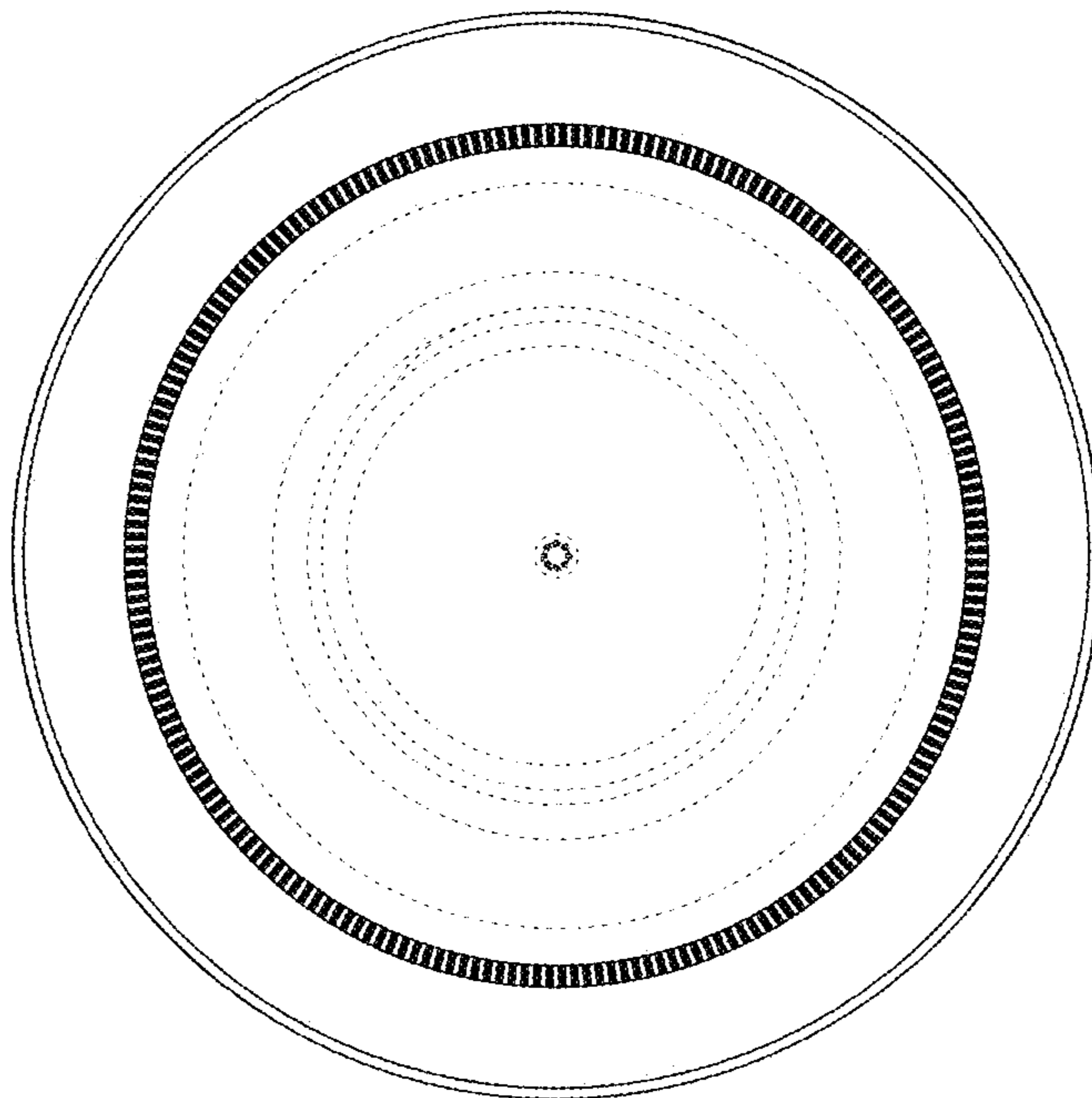


FIG. 9

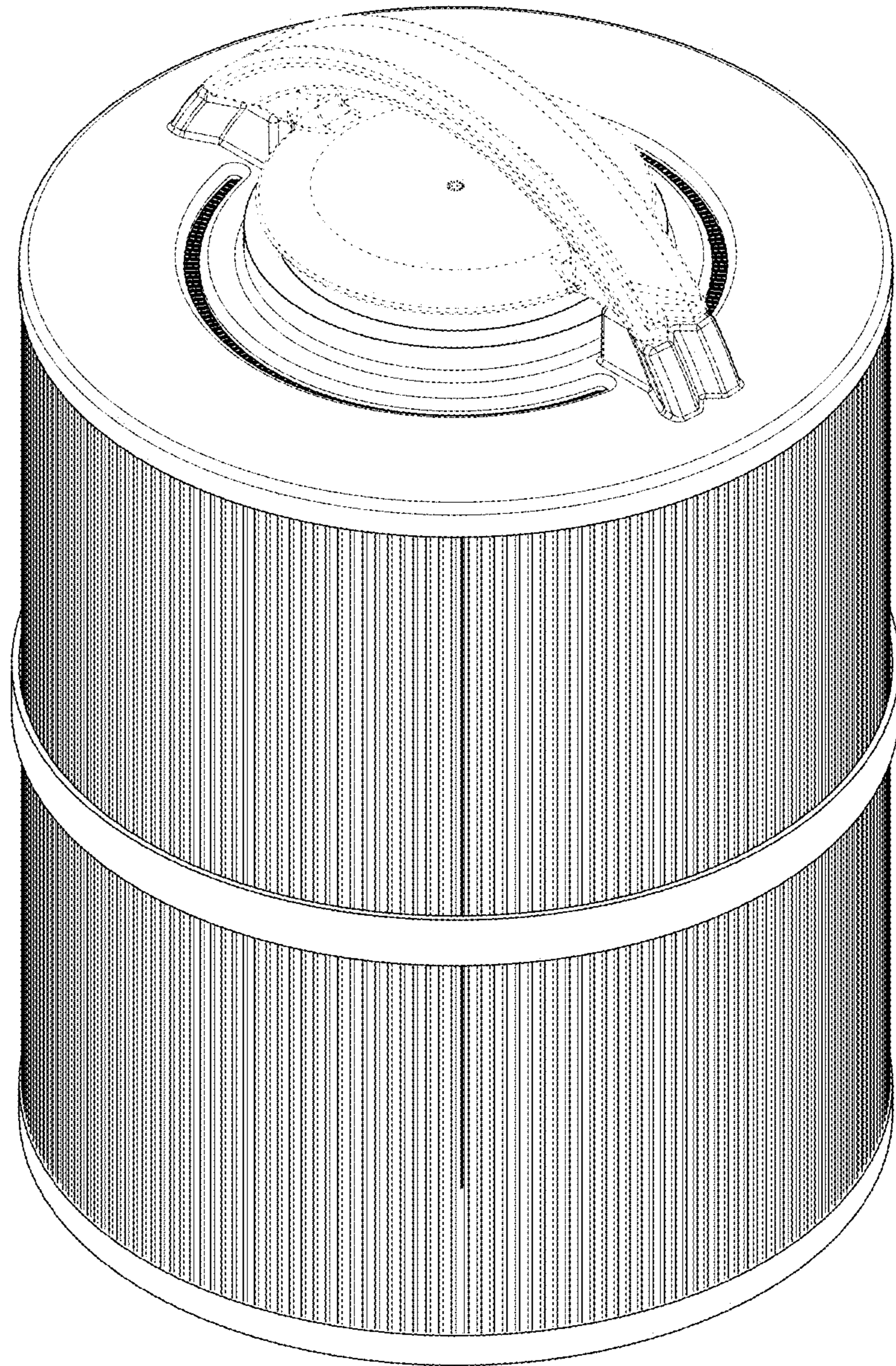


FIG. 10

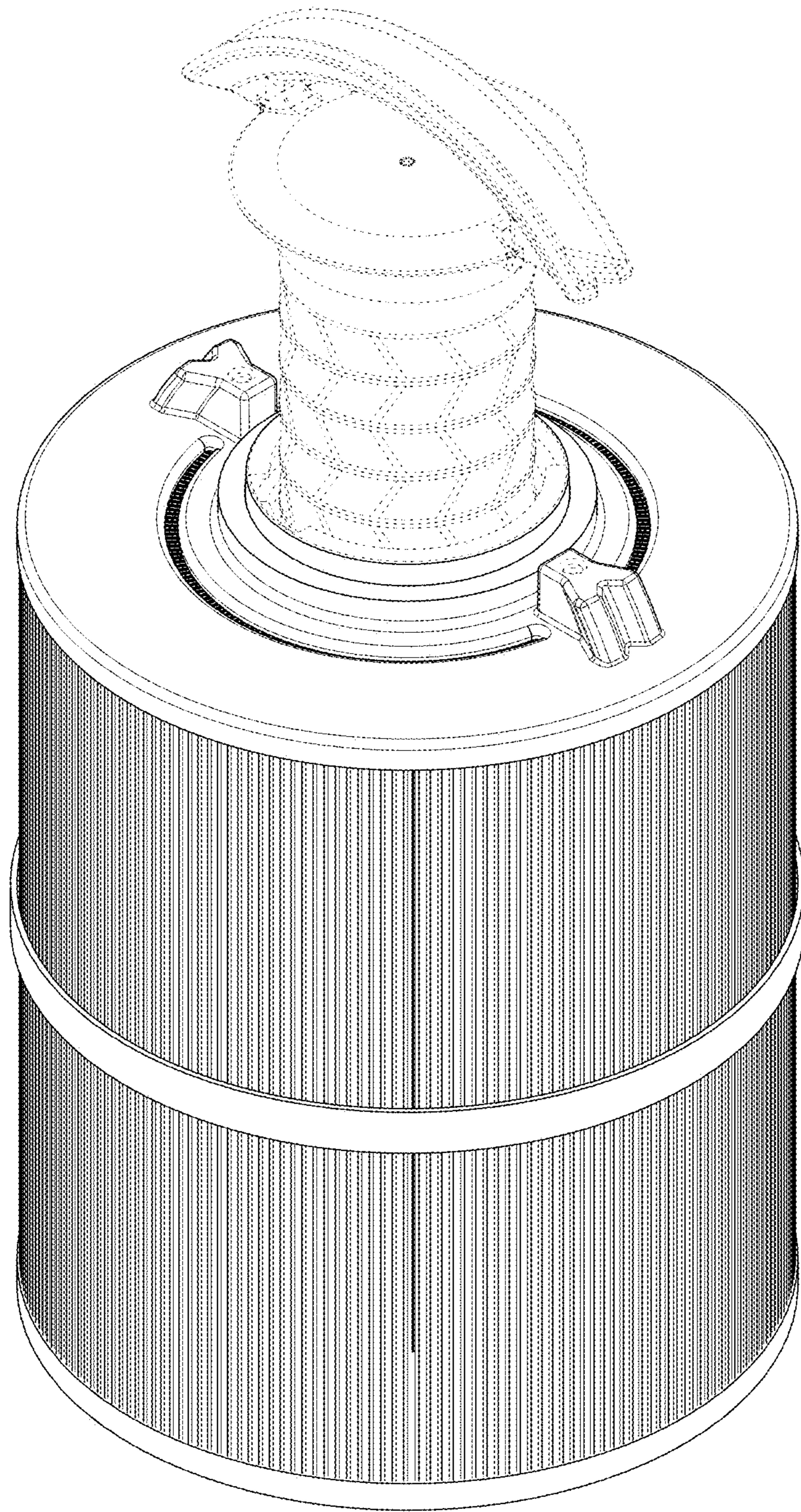


FIG. 11

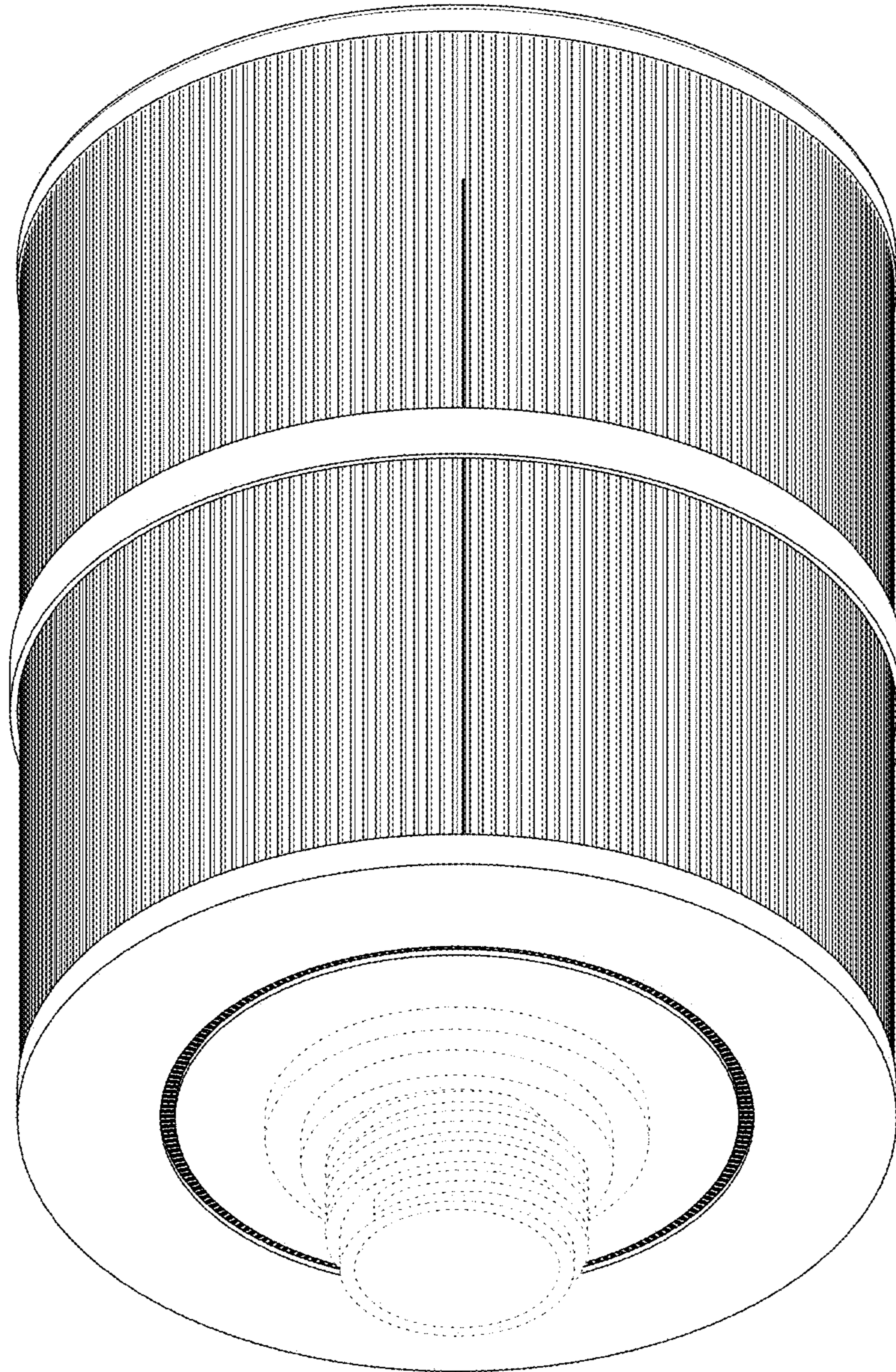


FIG. 12

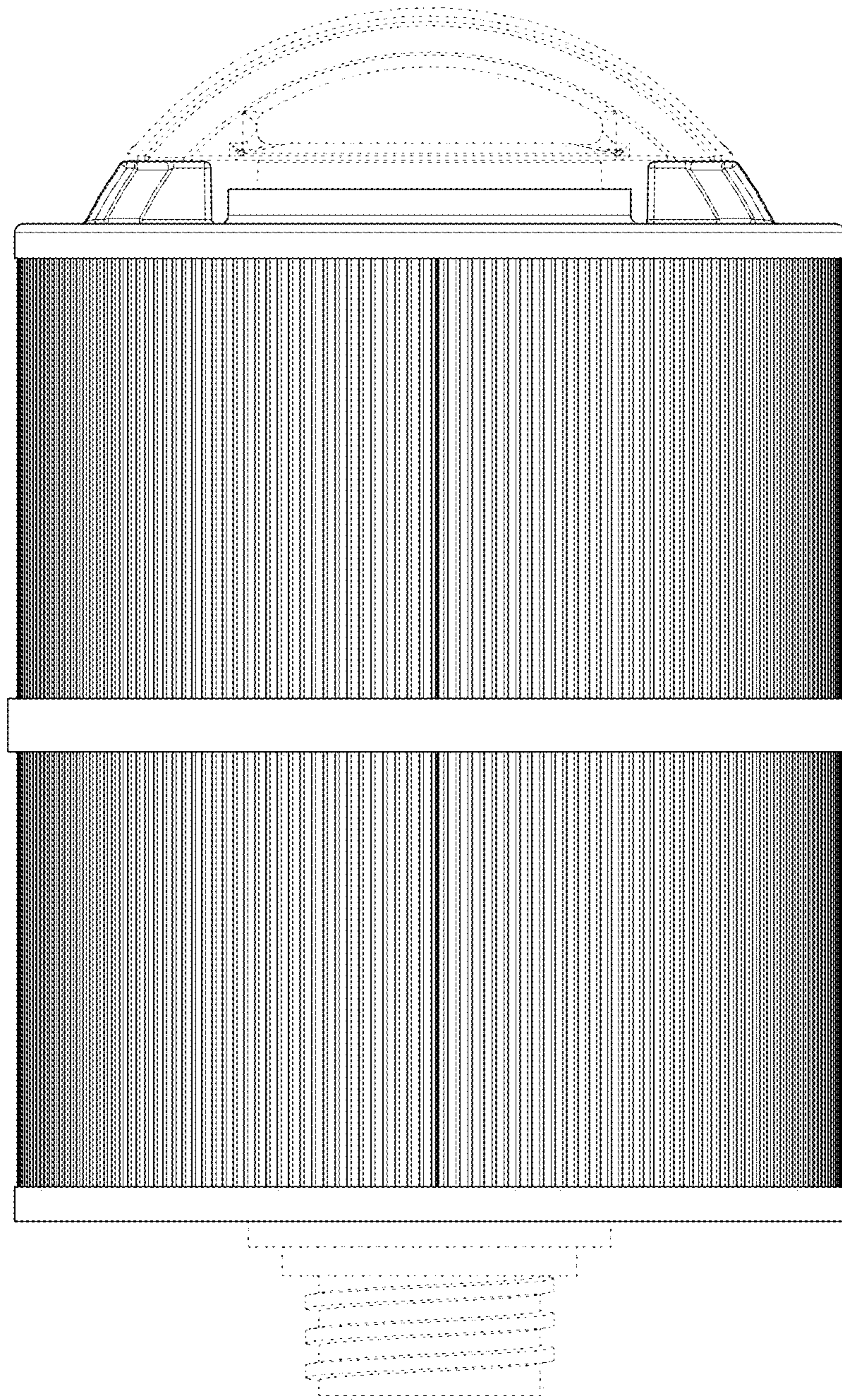


FIG. 13

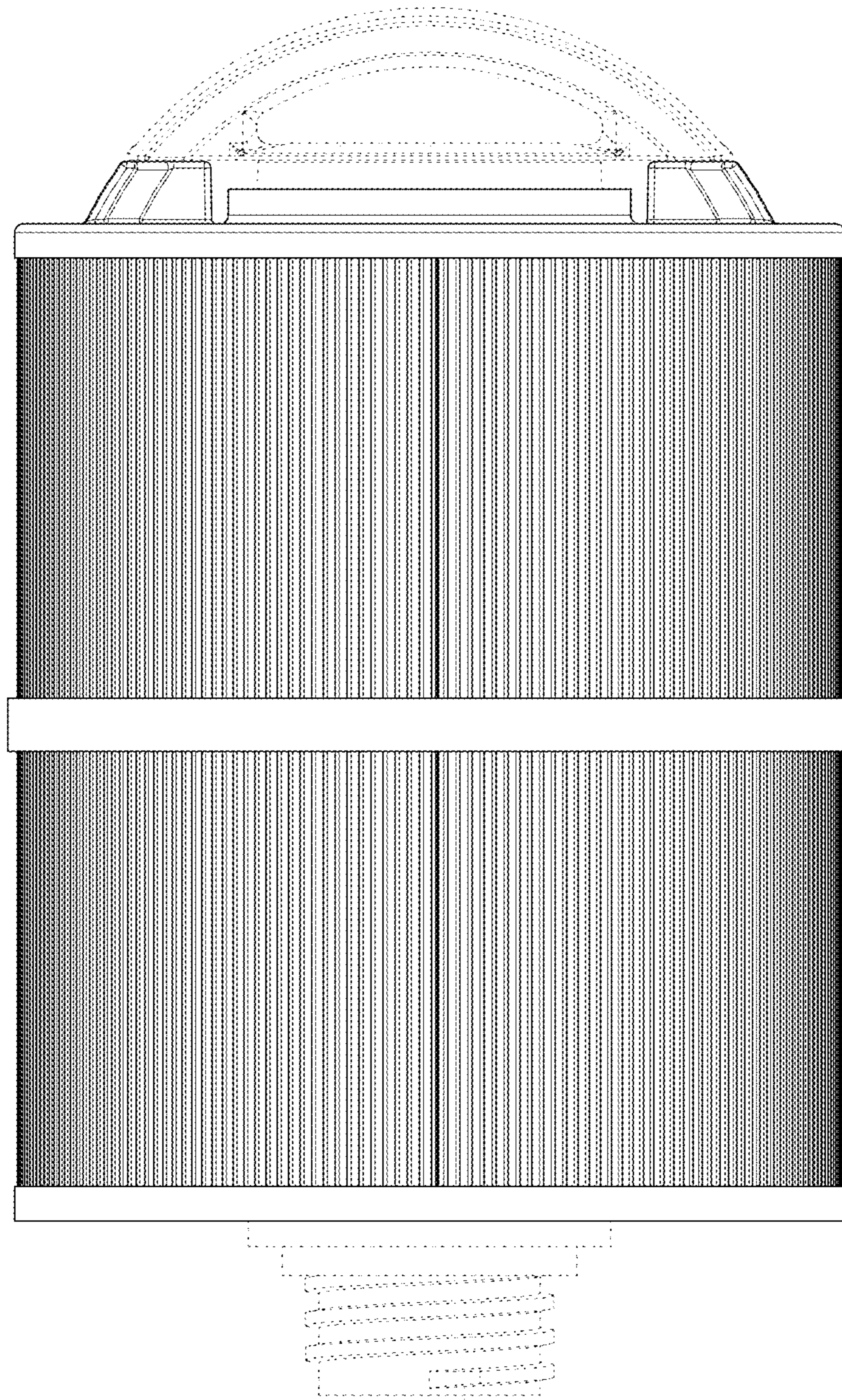


FIG. 14

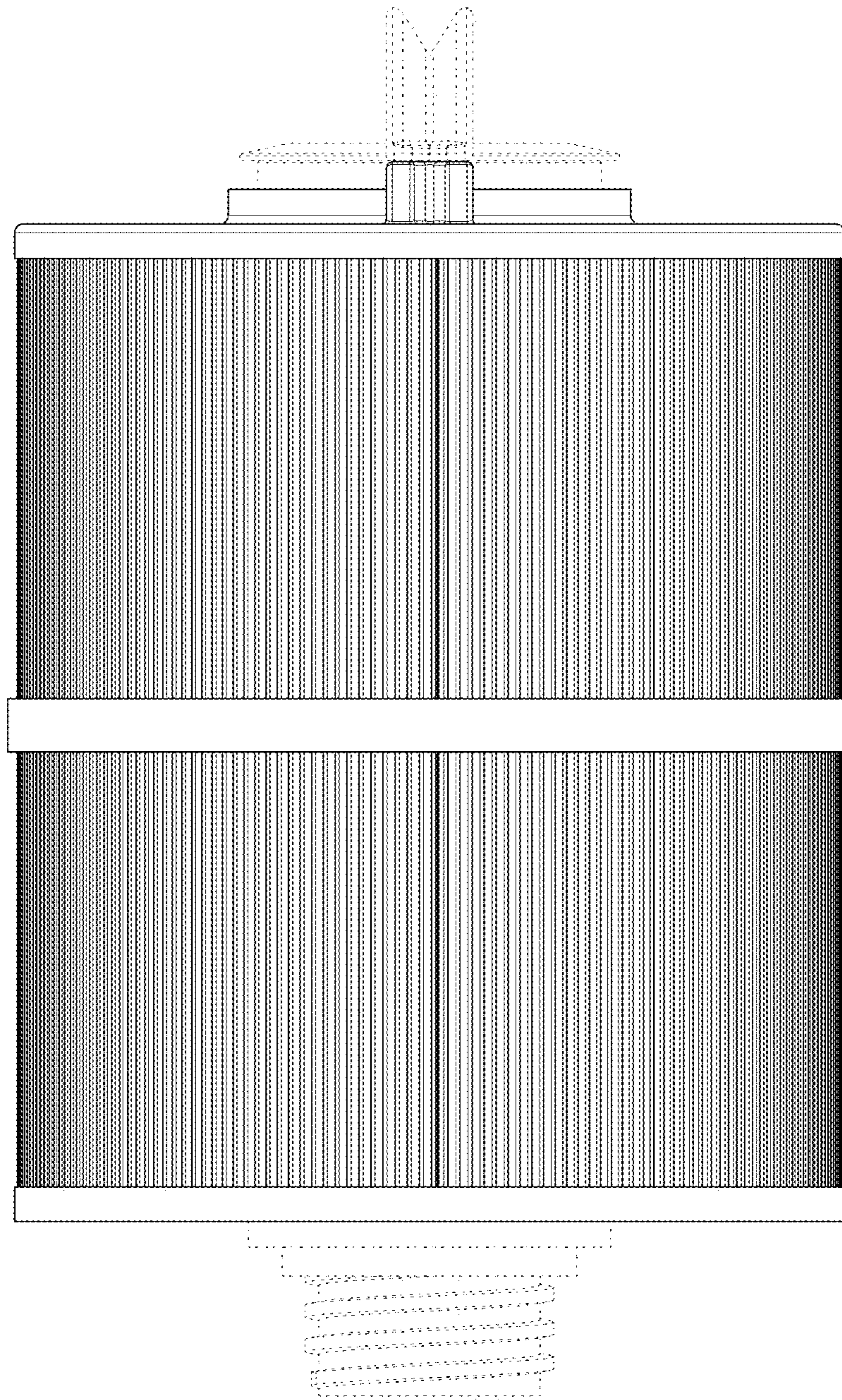


FIG. 15

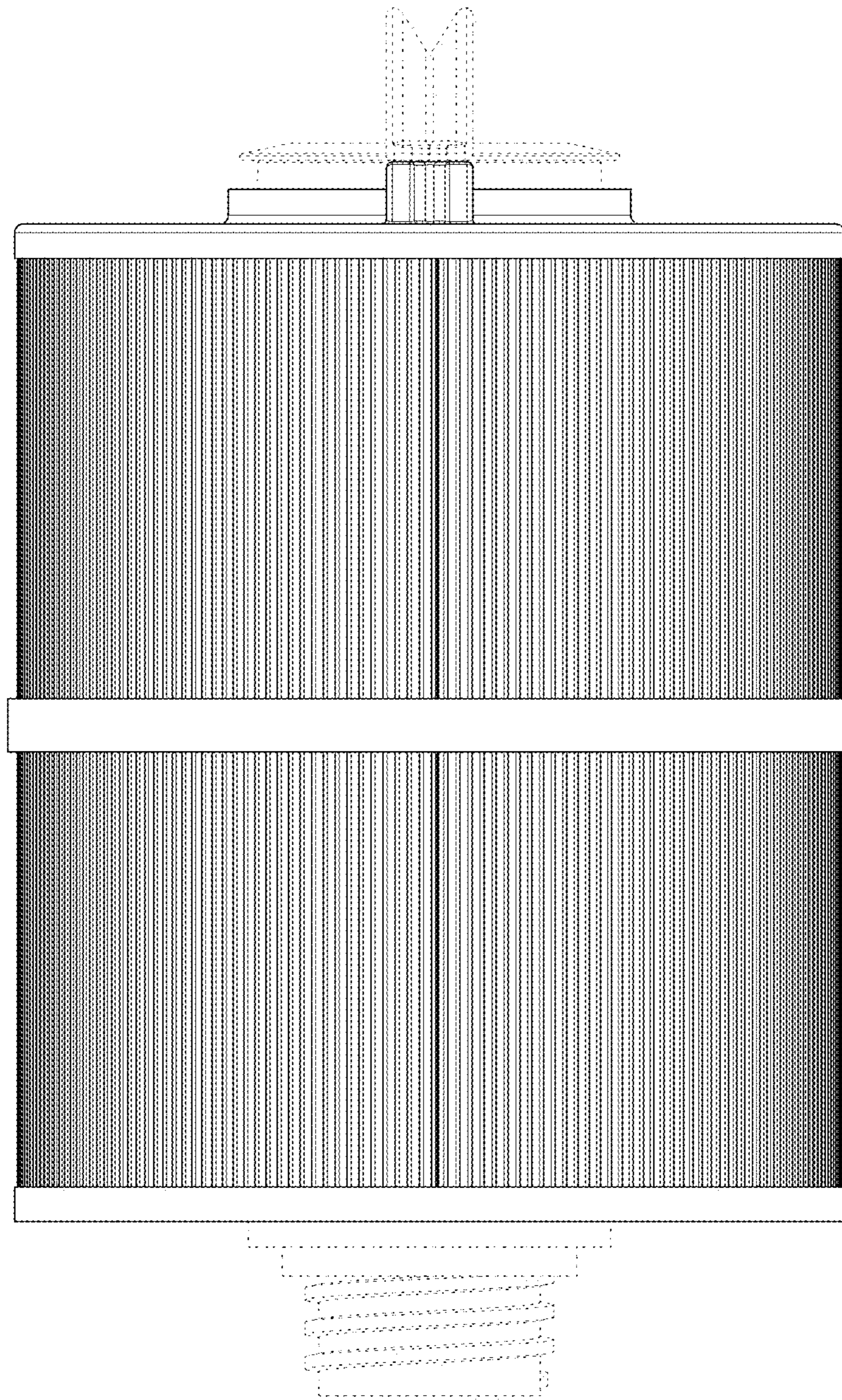


FIG. 16

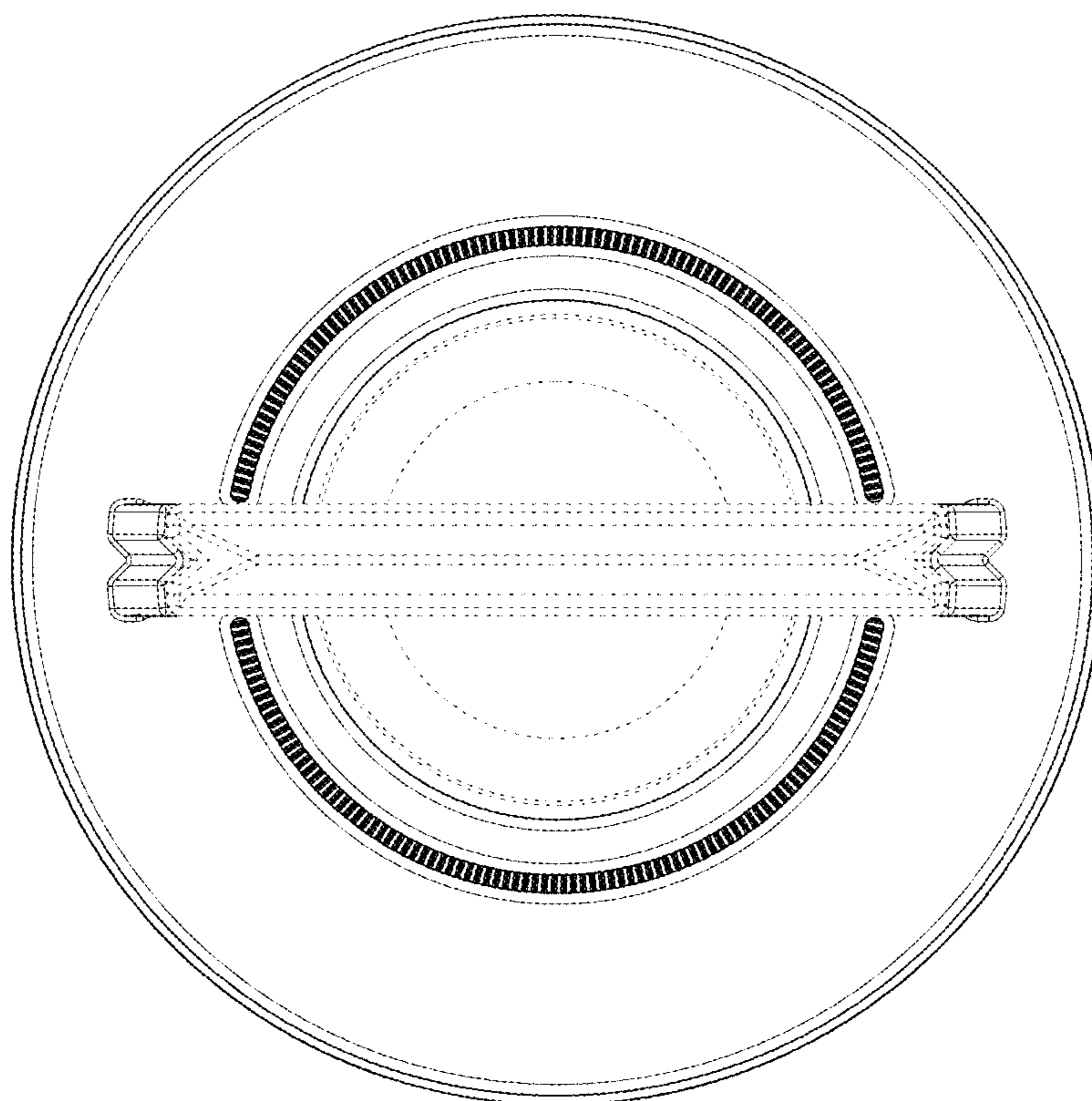


FIG. 17

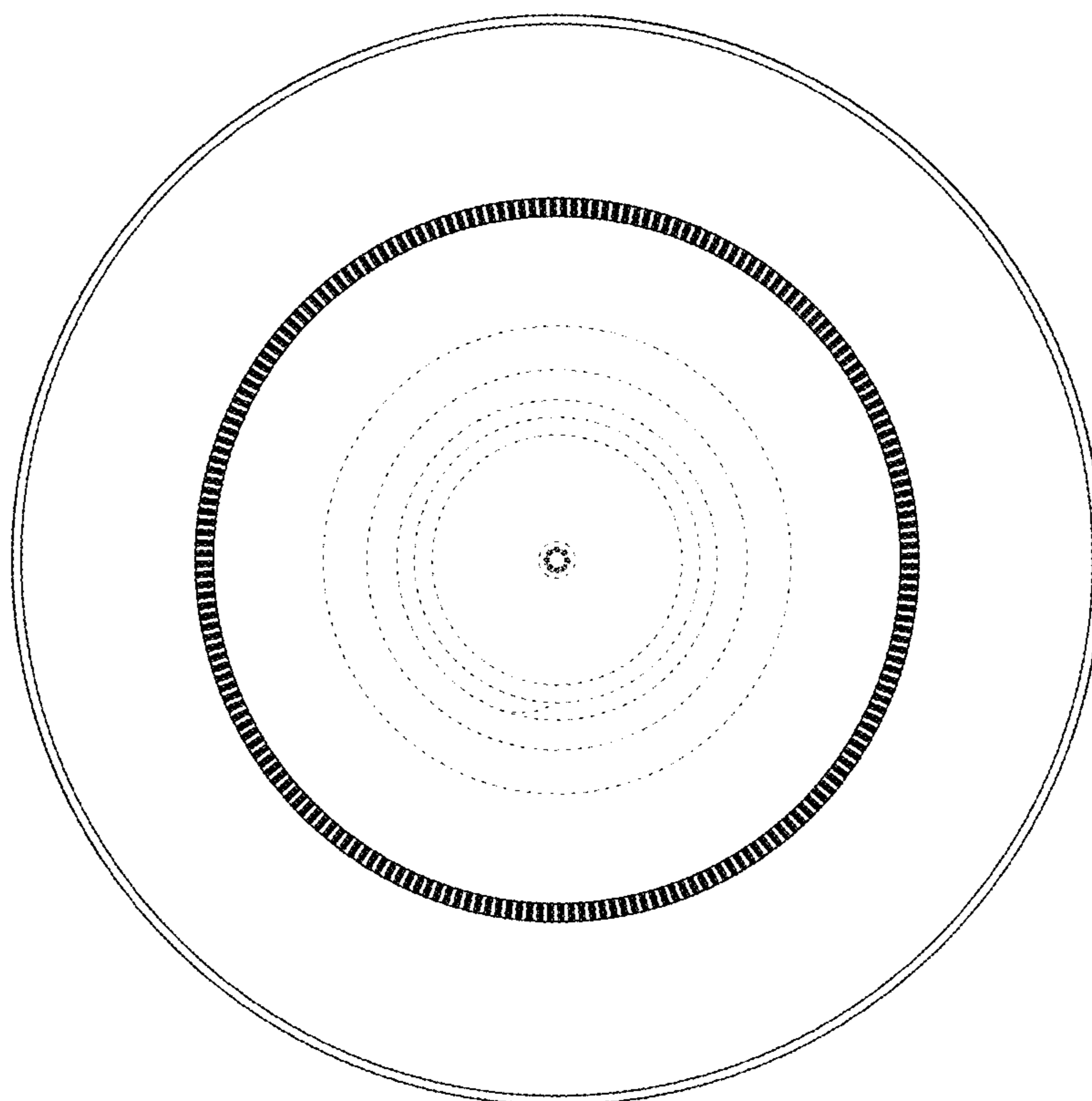


FIG. 18