



US00D881337S

(12) **United States Design Patent**
Kirk et al.

(10) **Patent No.:** **US D881,337 S**

(45) **Date of Patent:** **** Apr. 14, 2020**

- (54) **FILTER FOR DRINKING WATER**
- (71) Applicant: **Pet Mate Limited**, Hersham (GB)
- (72) Inventors: **Christopher Kirk**, Hersham (GB);
Jeremy Oates, Twickenham (GB)
- (73) Assignee: **Pet Mate Limited**, Surrey (GB)
- (**) Term: **15 Years**

- D570,952 S * 6/2008 Mhlbauer D23/209
- D614,754 S * 4/2010 DeFelice D23/365
- D628,674 S * 12/2010 Dittmann B03C 3/155
D23/209
- D730,485 S * 5/2015 Lutz D23/210
- D762,832 S * 8/2016 Gale D23/365
- 10,136,620 B2 * 11/2018 Lutz A01K 63/045
- 10,455,807 B2 * 10/2019 Oates B65D 21/0234

- (21) Appl. No.: **29/665,504**
- (22) Filed: **Oct. 4, 2018**
- (30) **Foreign Application Priority Data**

- Apr. 12, 2018 (EM) 005230851-0001
- (51) **LOC (12) Cl.** **23-01**
- (52) **U.S. Cl.**
USPC **D23/209**
- (58) **Field of Classification Search**
USPC D23/202, 205, 207, 209, 210, 259, 260,
D23/262, 365
CPC B01D 2201/29; B01D 2201/30; B01D
2201/301; B01D 2201/302; B01D
2201/306; B01D 2201/309; B01D 35/30;
C02F 1/002; C02F 1/003
See application file for complete search history.

(56) **References Cited**
U.S. PATENT DOCUMENTS

- D184,842 S * 4/1959 Willinger D23/210
- D268,607 S * 4/1983 Malik B65D 21/0234
D23/210
- D274,462 S * 6/1984 Rakocy D23/365
- D296,001 S * 5/1988 Ng D23/210
- 5,759,239 A * 6/1998 Yu B03C 3/155
422/121
- D506,816 S * 6/2005 Garman A01K 63/045
D23/365

OTHER PUBLICATIONS

Amazon.com, Cat mate genuine replacement 3 stage filter cartridge, undated online product page, retrieved Dec. 30, 2019 from <URL:https://www.amazon.com/Cat-Mate-Genuine-Replacement-Cartridge/dp/B07N2ZHS98> (Year: 2019).*

* cited by examiner

Primary Examiner — Sheryl Lane
Assistant Examiner — Calvin E Vansant
(74) *Attorney, Agent, or Firm* — Manelli Selter PLLC;
Edward Stemberger

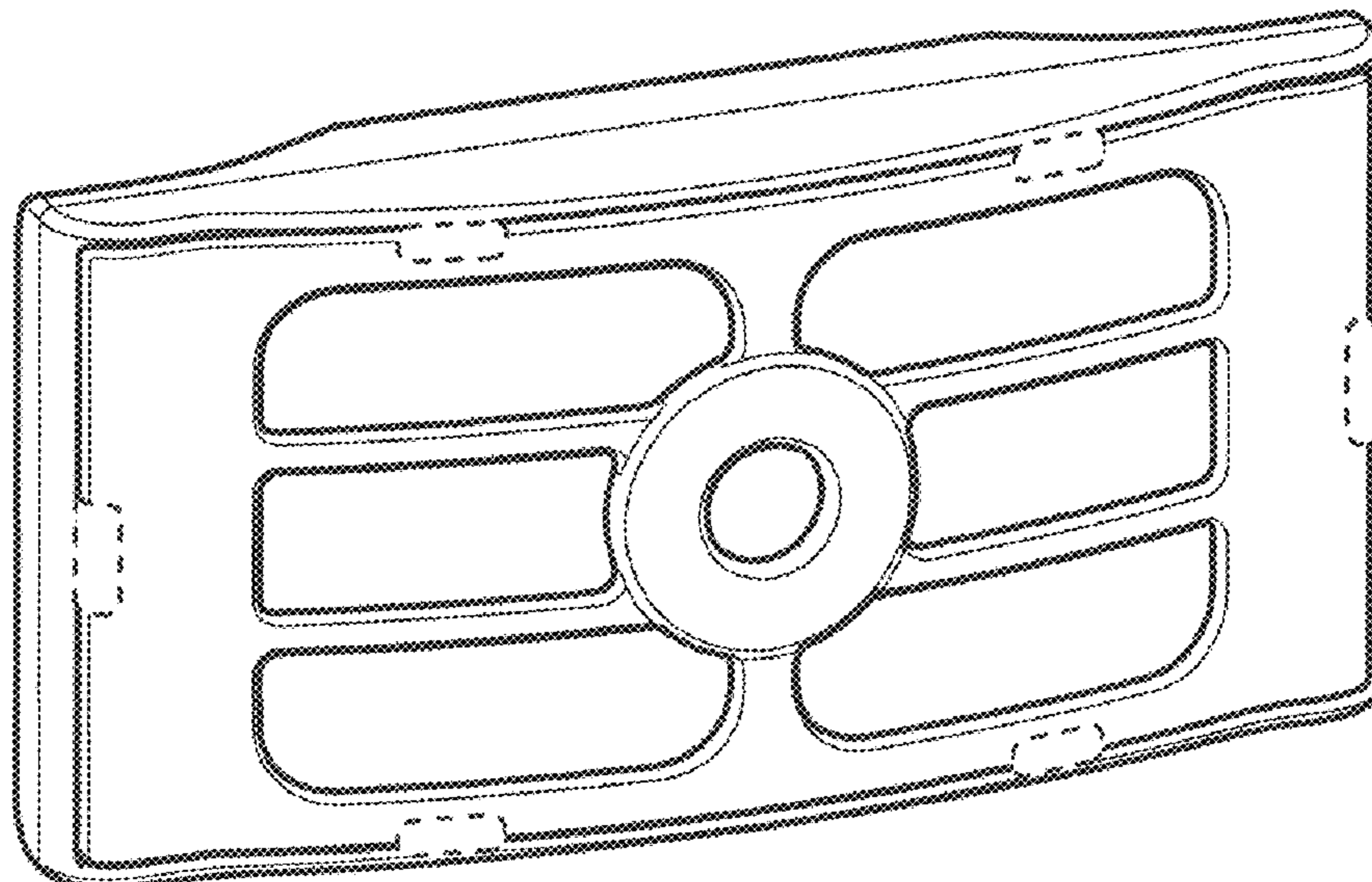
(57) **CLAIM**

The ornamental design for a filter for drinking water, as shown.

DESCRIPTION

FIG. 1 is a front perspective view of a filter for drinking water in accordance with the invention; FIG. 2 is a rear perspective view thereof; FIG. 3 is a top view thereof; FIG. 4 is a bottom view thereof; FIG. 5 is a front view thereof; FIG. 6 is a rear view thereof; FIG. 7 is a right side view thereof; and, FIG. 8 is a left side view thereof. Portions of the design shown in dashed lines form no part of the claimed invention but instead are shown for context or environment only.

1 Claim, 2 Drawing Sheets



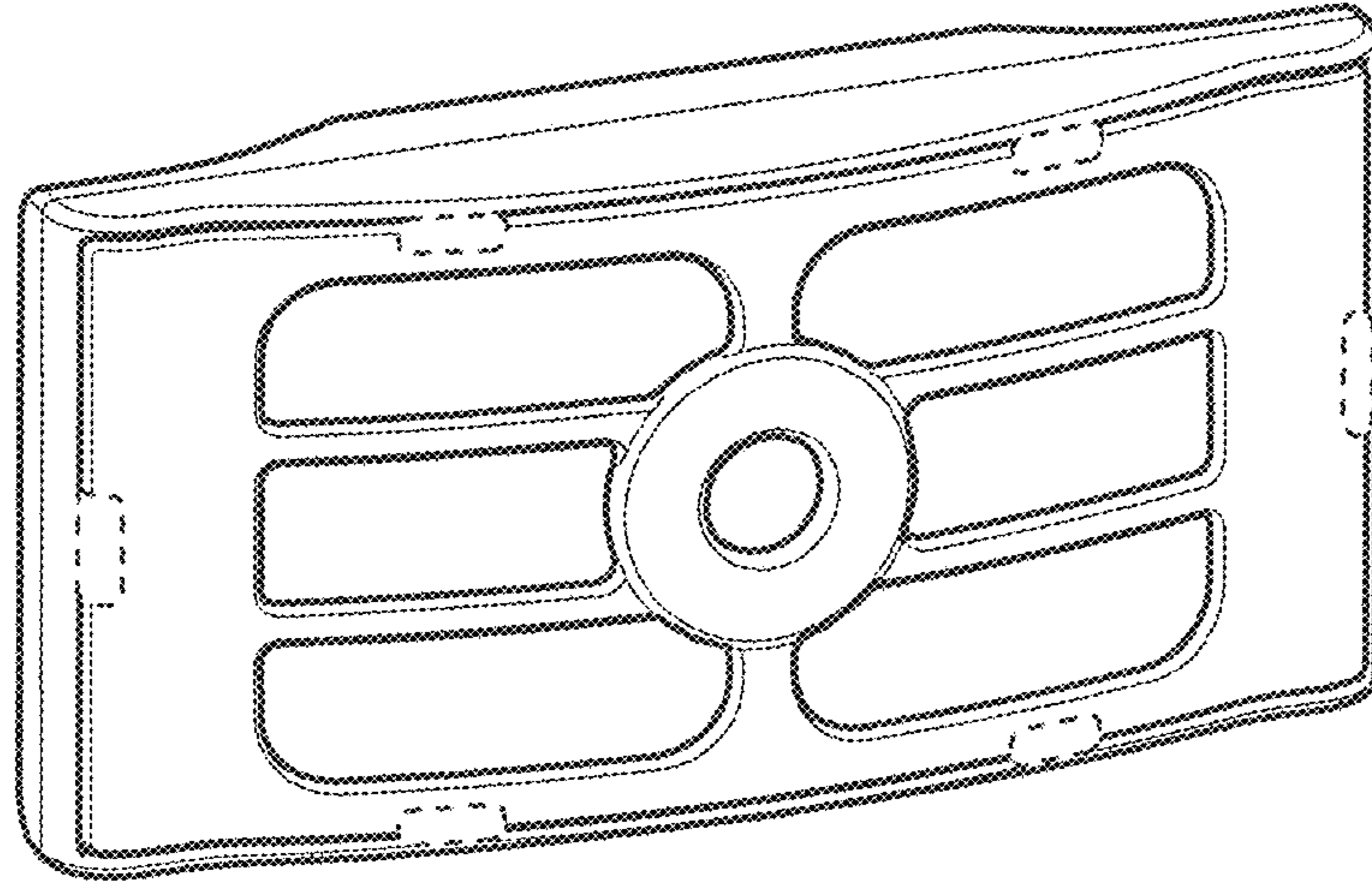


FIG. 1

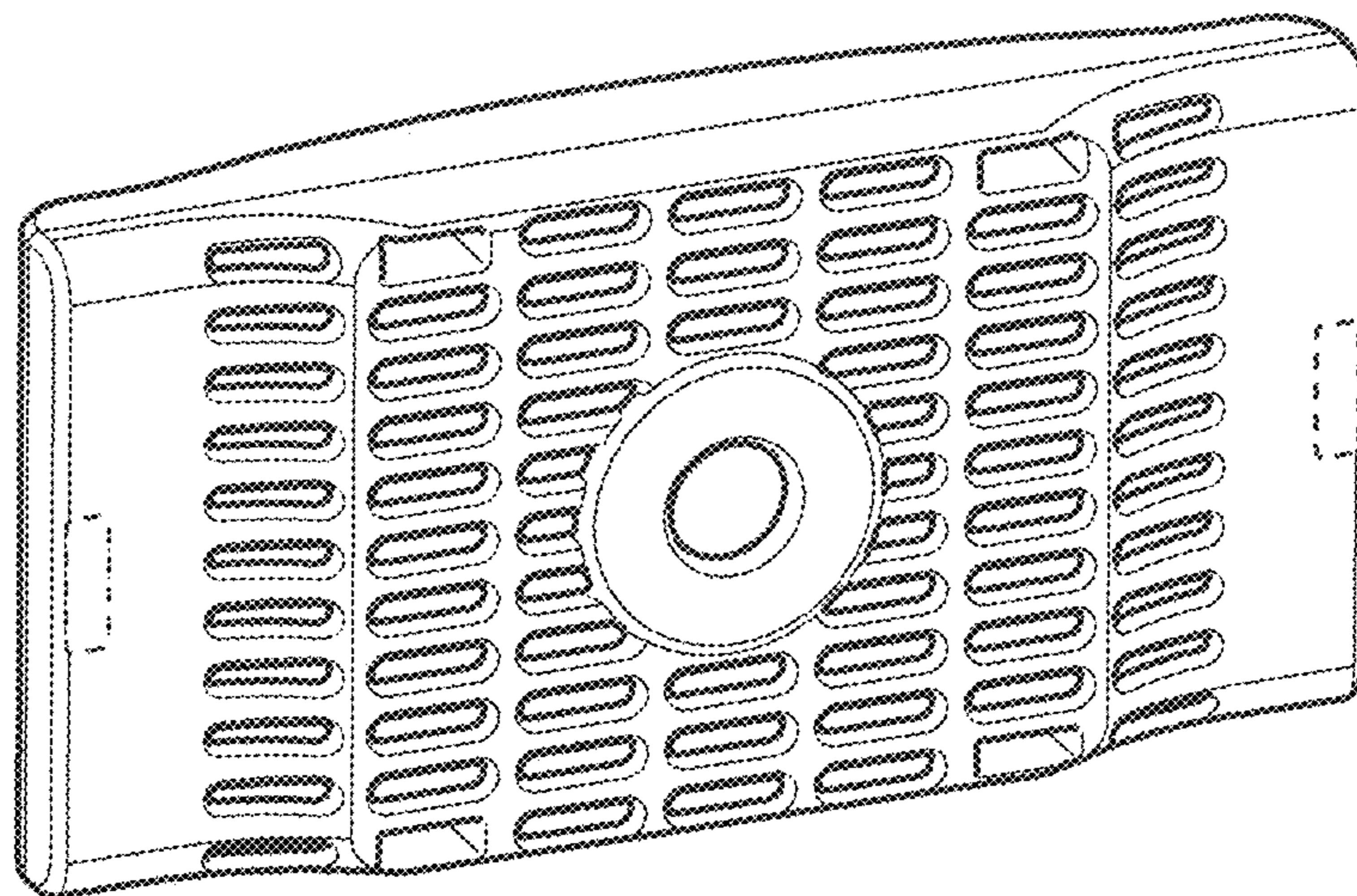


FIG. 2

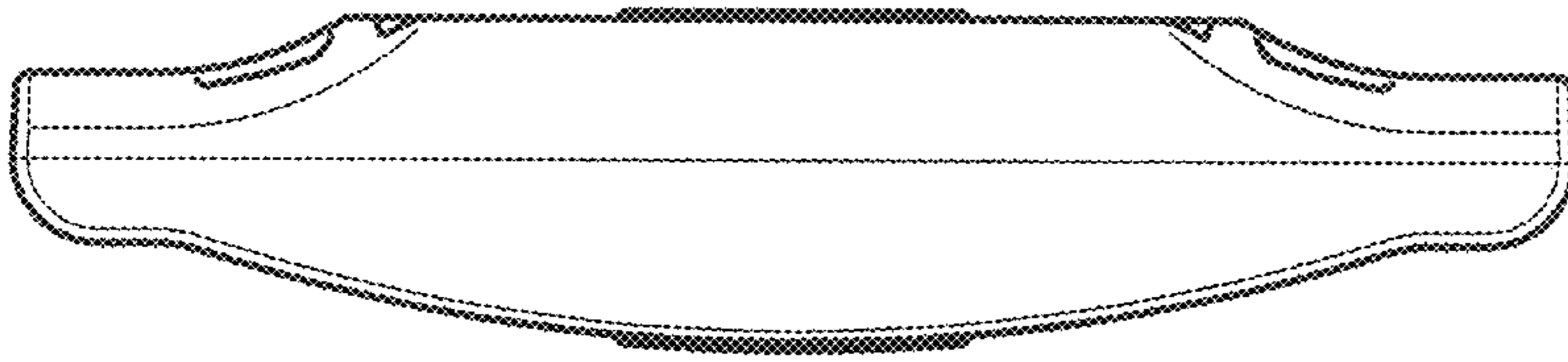


FIG. 3

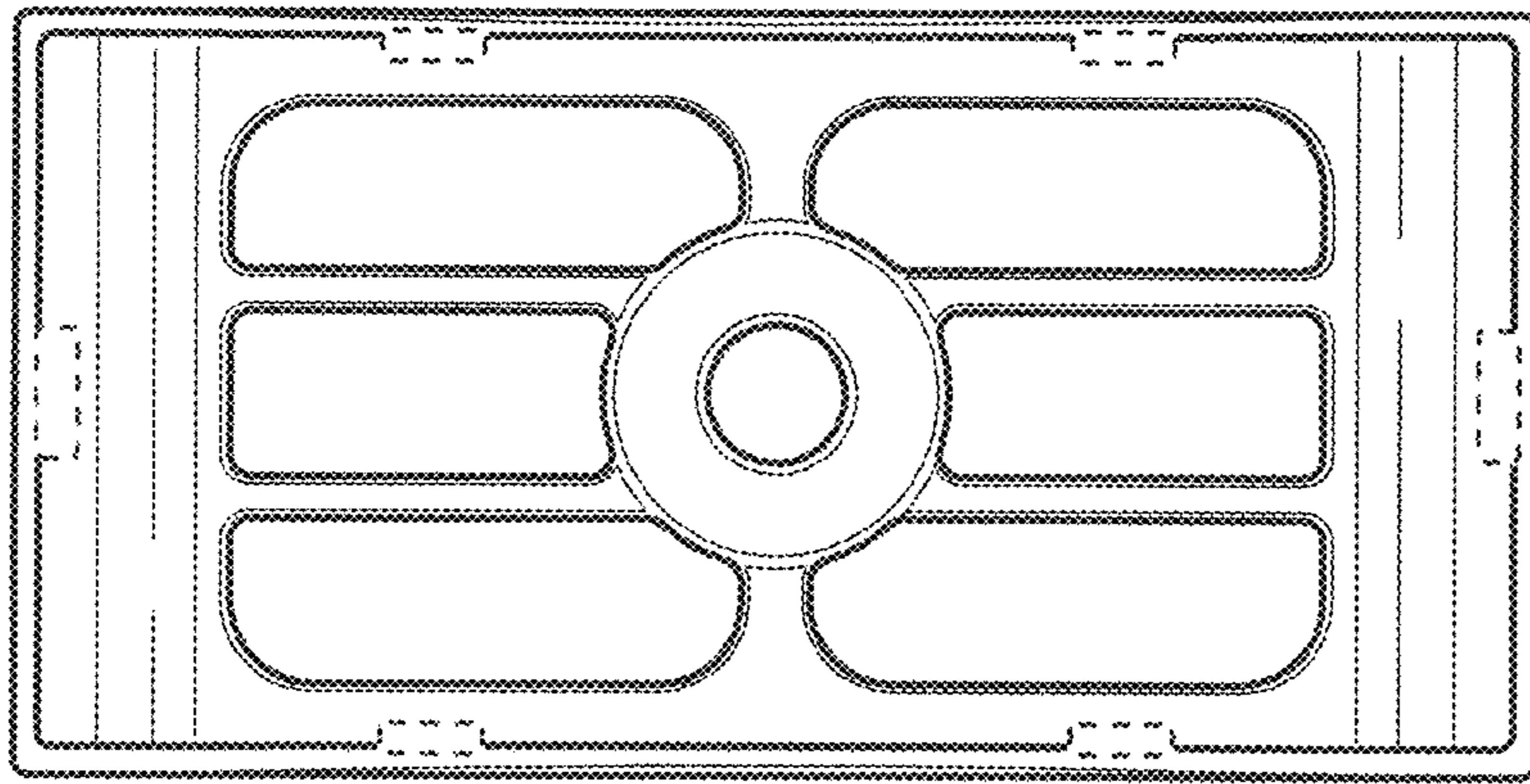


FIG. 5

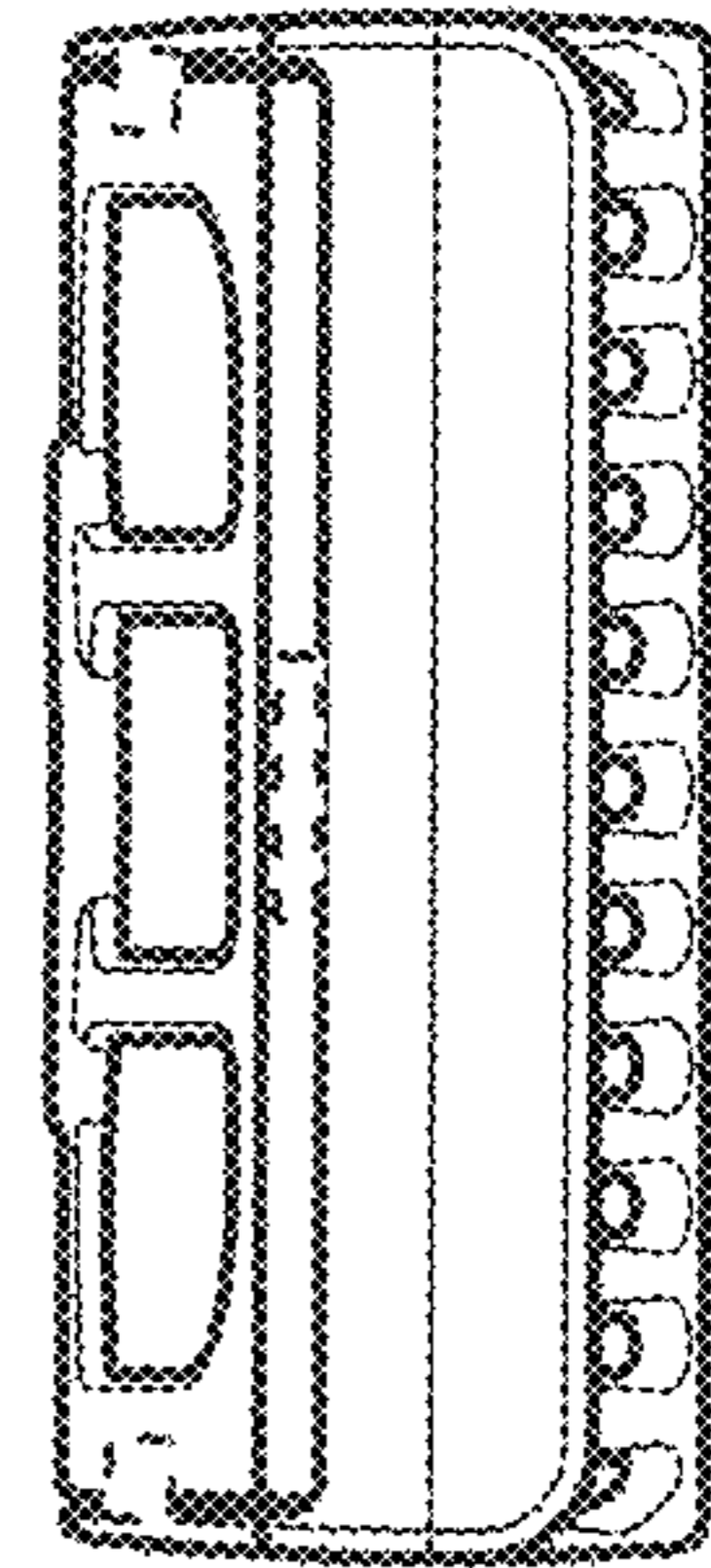


FIG. 7

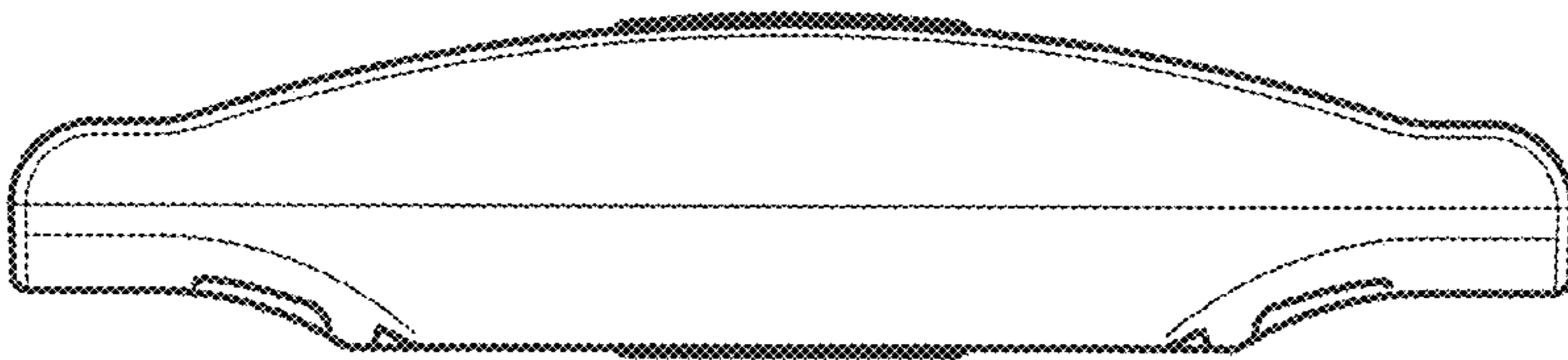


FIG. 4

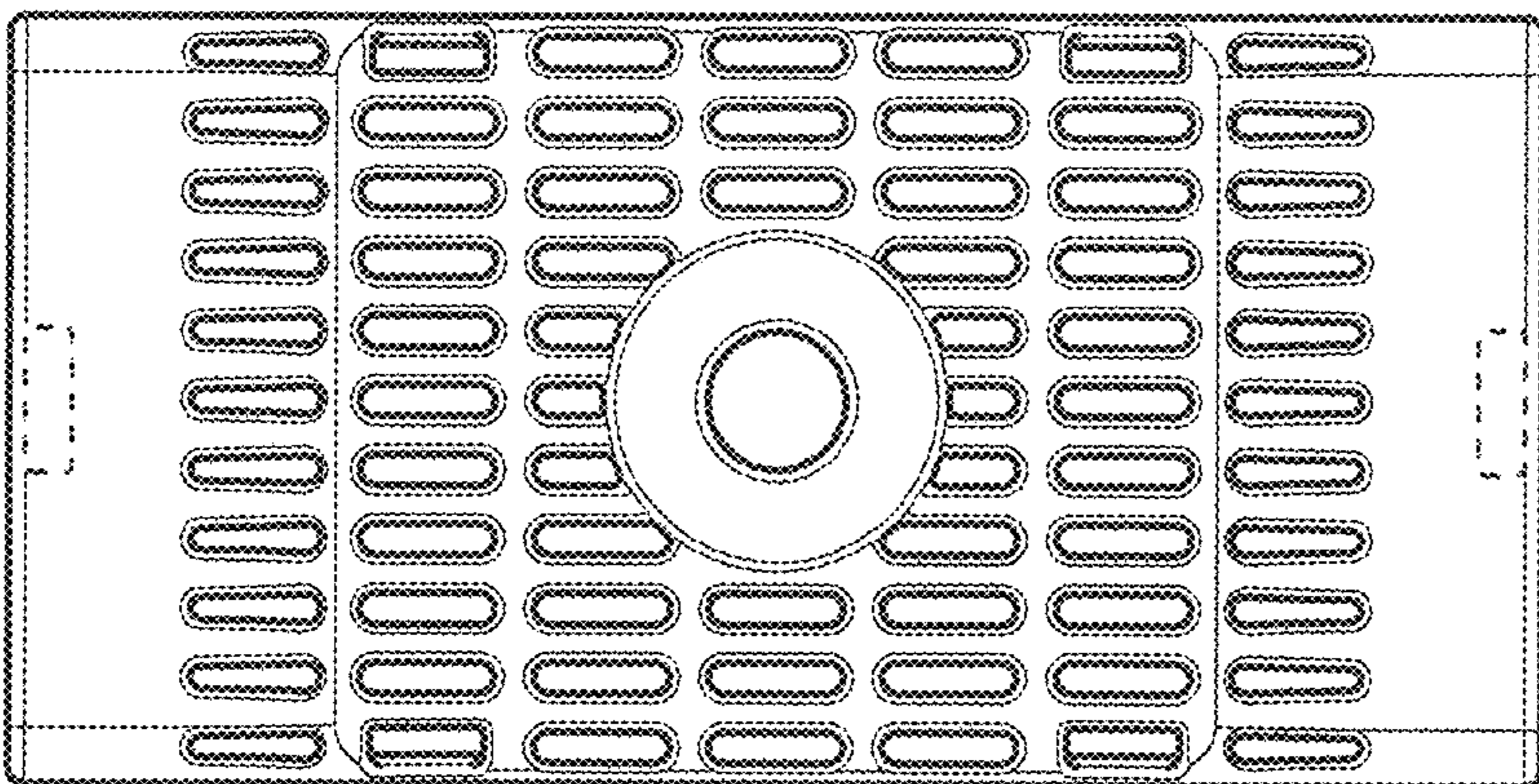


FIG. 6

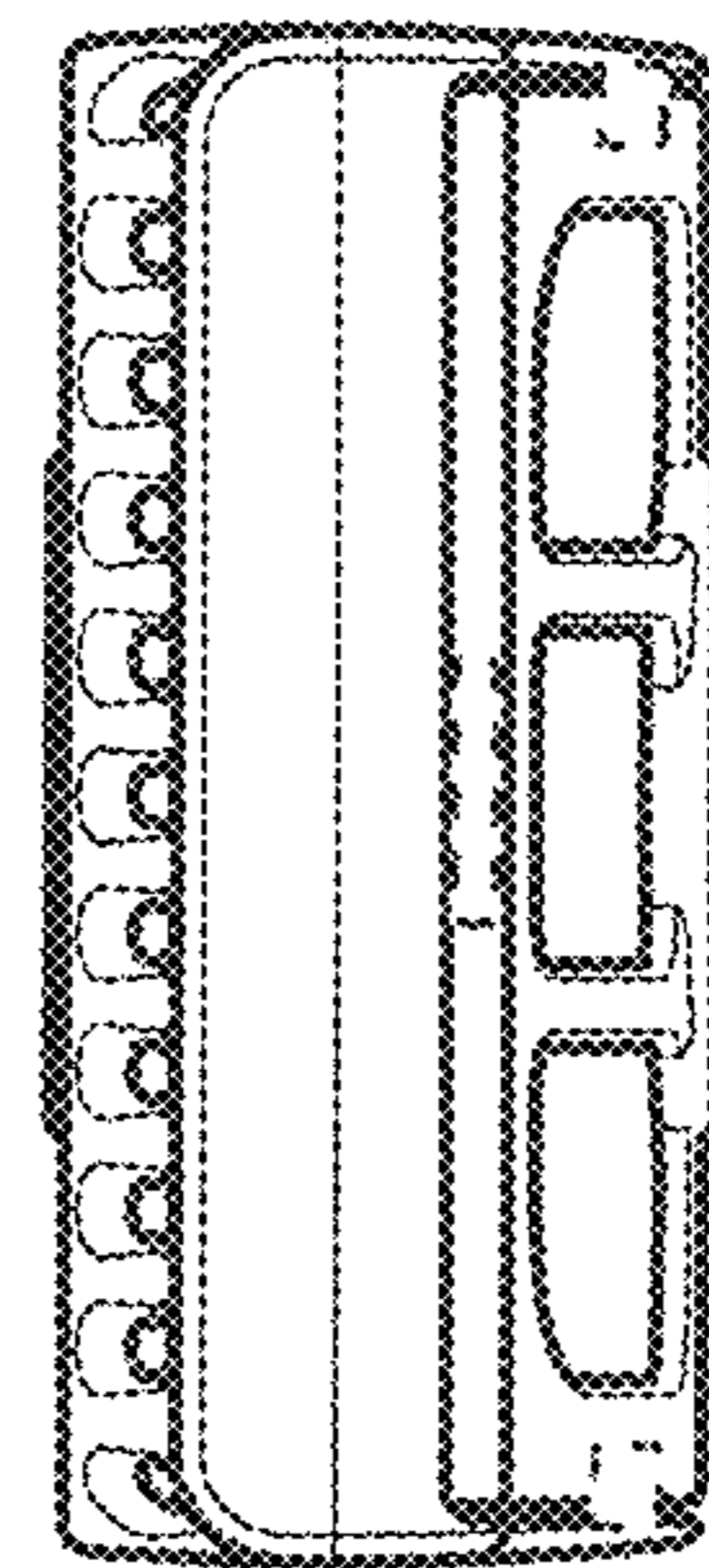


FIG. 8