



US00D881336S

(12) **United States Design Patent** (10) **Patent No.:** **US D881,336 S**
Dani et al. (45) **Date of Patent:** **** Apr. 14, 2020**

(54) **FILTER CORE**
(71) Applicant: **Brita LP**, Oakland, CA (US)
(72) Inventors: **Nikhil P. Dani**, Pleasanton, CA (US);
Russell Bell, Pleasanton, CA (US)
(73) Assignee: **Brita LP**, Oakland, CA (US)
(**) Term: **15 Years**
(21) Appl. No.: **29/657,747**
(22) Filed: **Jul. 25, 2018**

7,087,166 B1 * 8/2006 Sudo B01D 29/15
210/232
D711,502 S * 8/2014 Savoy D23/209
D729,343 S * 5/2015 Melzer D23/209
D750,736 S * 3/2016 Enomoto D23/207
D753,790 S * 4/2016 Torgerud D23/209
D755,345 S * 5/2016 Luthi D23/209
D756,484 S * 5/2016 Johnson D23/209
D815,714 S * 4/2018 Bell D23/209
D825,029 S * 8/2018 Goldman D23/209
D840,502 S * 2/2019 MacDonald D23/209
D847,371 S * 4/2019 Koseoglu D24/227
10,391,427 B2 * 8/2019 Dani B01D 27/08
2011/0079572 A1 4/2011 Olson et al.

(Continued)

Related U.S. Application Data

(63) Continuation of application No. 15/756,747, filed as application No. PCT/IB2016/001495 on Sep. 27, 2016.
(51) **LOC (12) Cl.** **23-01**
(52) **U.S. Cl.**
USPC **D23/209**
(58) **Field of Classification Search**
USPC D23/200, 207, 208, 209; 210/87, 232, 210/238, 244, 282, 747.3, 767; D7/700; D32/53; D24/162, 132; 4/223, 225.1, 4/227.1, 231
CPC .. B01D 35/143; B01D 35/30; B01D 19/0031; B01D 29/90; B01D 29/27; B01D 29/56; C02F 1/003; C02F 1/283; C02F 1/60
See application file for complete search history.

References Cited

U.S. PATENT DOCUMENTS

5,122,270 A 6/1992 Ruger et al.
D363,760 S * 10/1995 Morem D23/209
D374,476 S * 10/1996 Page D23/209
6,383,381 B1 5/2002 O'Flynn et al.
D496,985 S * 10/2004 King D23/209

FOREIGN PATENT DOCUMENTS

CA 2051056 C 9/1998
CA 2559637 A1 3/2007

(Continued)

OTHER PUBLICATIONS

Brita Stream® System Filter [Aug. 28, 2019] found online [Aug. 28, 2019]—<https://www.brita.com/replacement-filters/stream/>.*

(Continued)

Primary Examiner — Lakiya G Rogers
Assistant Examiner — John A Voytek
(74) *Attorney, Agent, or Firm* — Thomas C. Feix

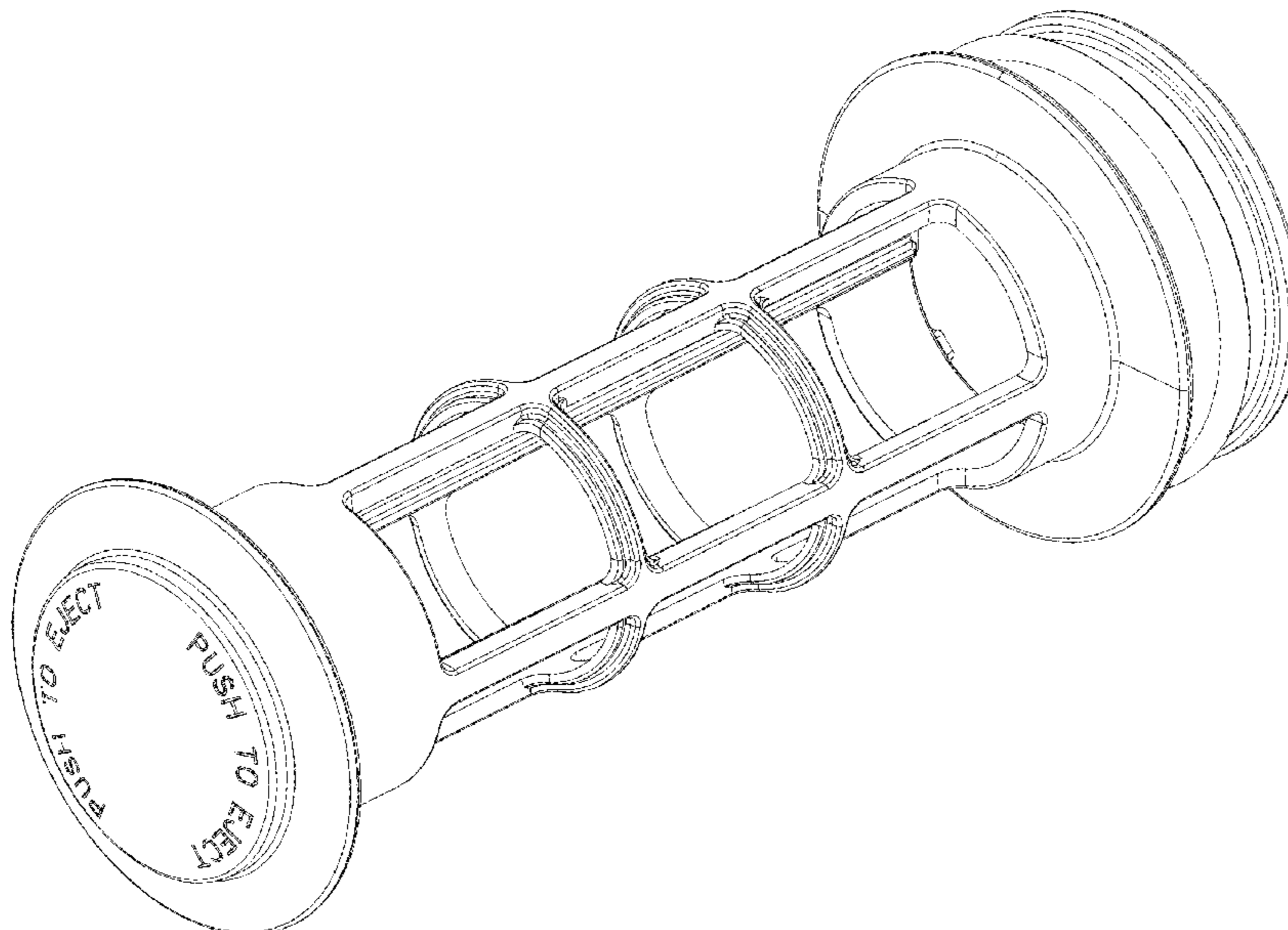
(57) **CLAIM**

The ornamental design for a filter core, as shown.

DESCRIPTION

FIG. 1 is a top front perspective view of a filter core showing the claimed design;
FIG. 2 is a bottom rear perspective view thereof; and,
FIG. 3 is a side view thereof.

1 Claim, 3 Drawing Sheets



(56)

References Cited

U.S. PATENT DOCUMENTS

2013/0270168 A1* 10/2013 Fall C02F 1/001
210/232
2014/0069871 A1* 3/2014 Brown B01D 29/111
210/663
2016/0376162 A1* 12/2016 Dani C02F 1/002
210/266
2017/0326482 A1* 11/2017 Prchal B01D 35/00
2018/0250615 A1* 9/2018 Dani B01D 27/08

FOREIGN PATENT DOCUMENTS

CA 2874153 A1 6/2015
CA 2933185 A1 6/2015
GB 2268680 A 1/1994
GB 2284563 A 6/1995
WO WO199835738 A1 8/1998
WO WO200701468 A1 1/2000
WO WO2015073144 A1 5/2015
WO WO2015094741 A1 6/2015

OTHER PUBLICATIONS

Hutton, I.M., 2007, Handbook of Nonwoven Filter Media (1st ed),
pp. 96-99.

* cited by examiner

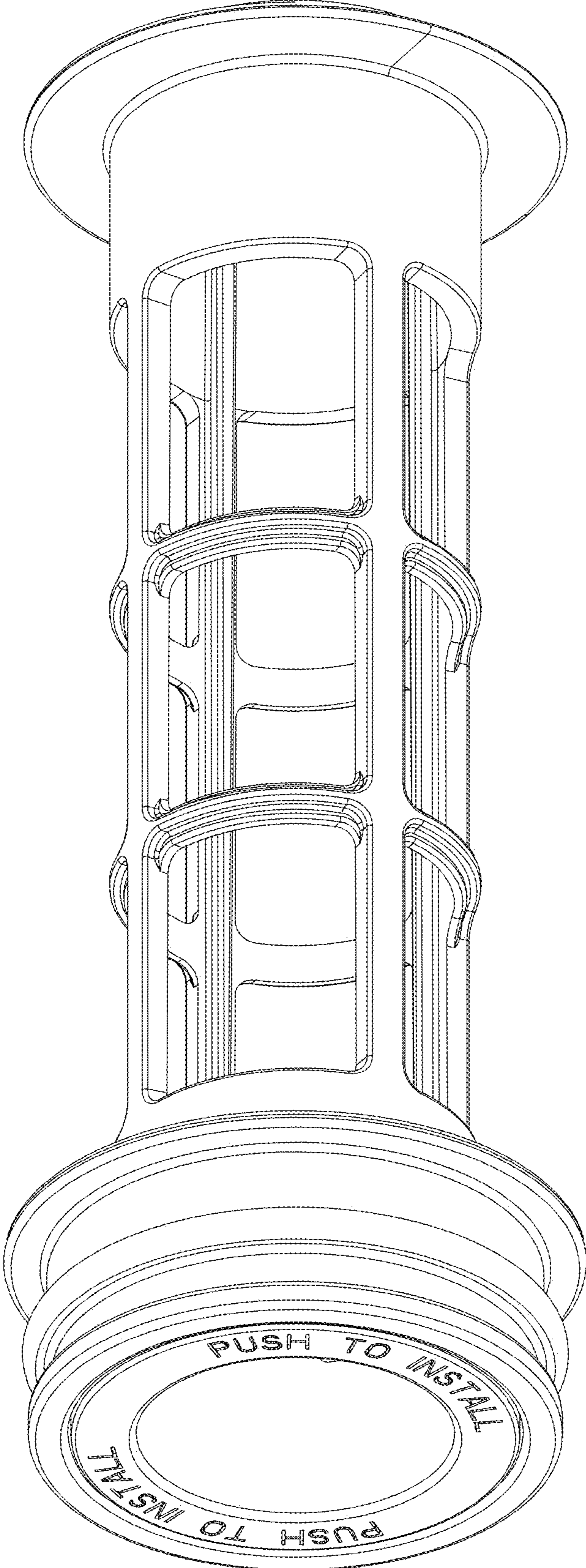


FIG. 1

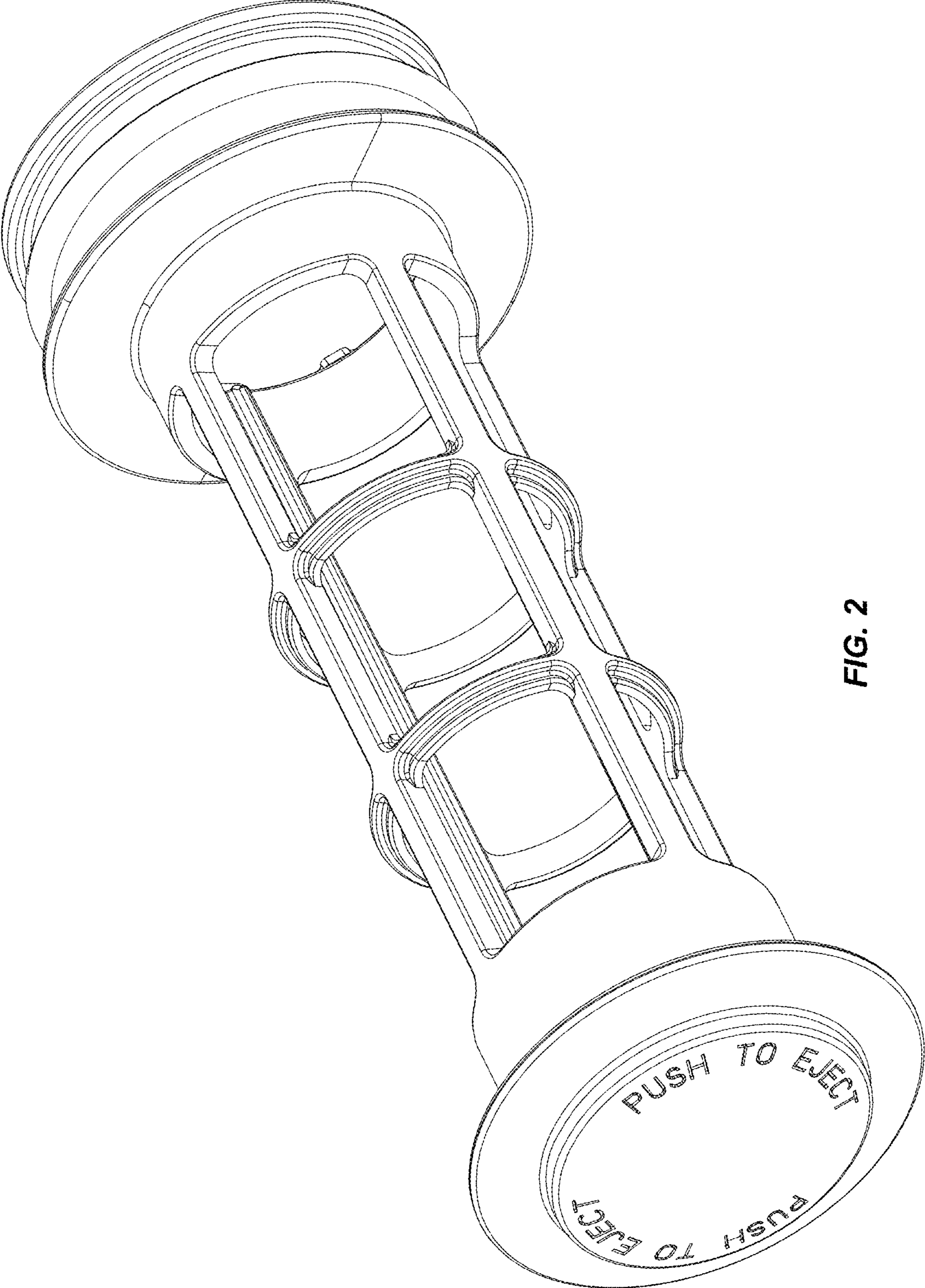


FIG. 2

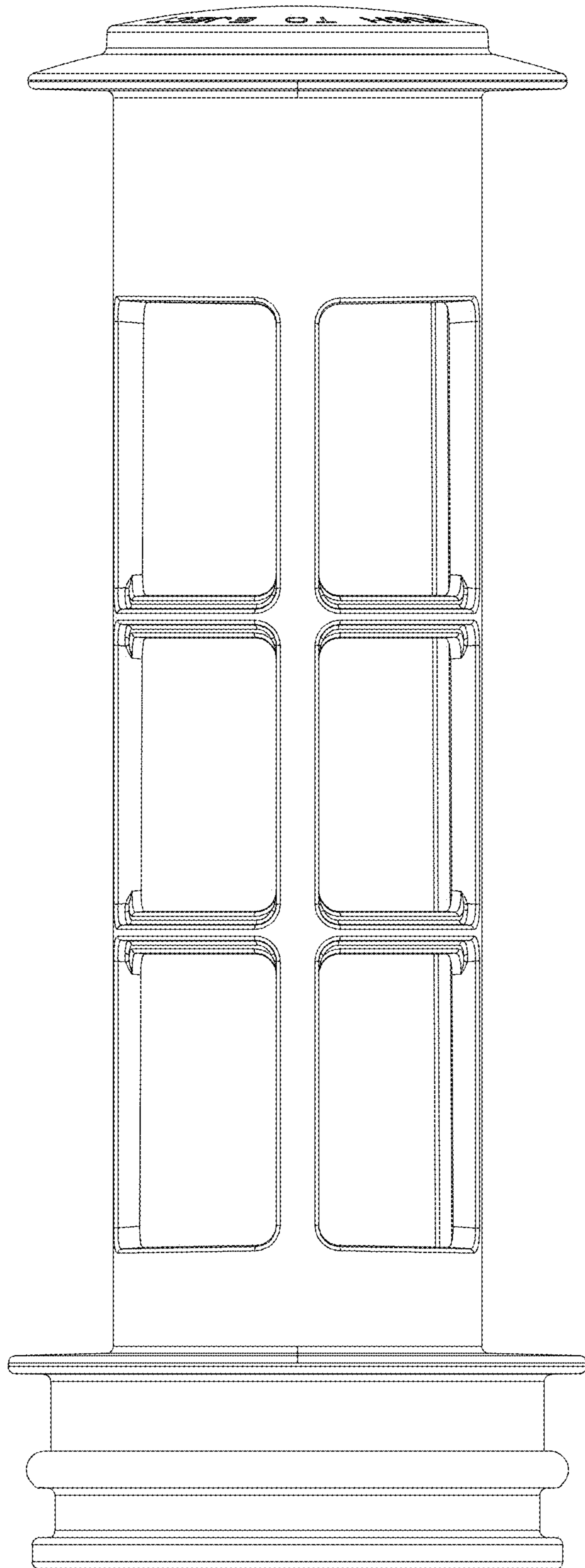


FIG. 3