



US00D881335S

(12) **United States Design Patent**  
**Capazorio et al.**

(10) **Patent No.:** **US D881,335 S**

(45) **Date of Patent:** **\*\* Apr. 14, 2020**

- (54) **DEODORIZING DISPENSER**
- (71) Applicant: **WEST SANITATION SERVICES, Inc.**, Baton Rouge, LA (US)
- (72) Inventors: **Shane Capazorio**, Baton Rouge, LA (US); **Benny J Elder**, Baton Rouge, LA (US)
- (73) Assignee: **WEST SANITATION SERVICES, Inc.**, Baton Rouge, LA (US)
- (\*\*) Term: **15 Years**

D658,052 S *	4/2012	Boucher-Gagne	.....	D8/394
D658,977 S *	5/2012	Riddell	.....	D8/394
D719,342 S *	12/2014	Ma	.....	D3/10
D740,367 S *	10/2015	White	.....	D20/41
D750,199 S *	2/2016	Gerhards	.....	D23/208
D750,200 S *	2/2016	Gerhards	.....	D23/208
D756,211 S *	5/2016	Downs	.....	D8/395
9,332,885 B1 *	5/2016	Todd	.....	E03D 9/005
D765,817 S *	9/2016	Gerhards	.....	D23/208
D786,883 S *	5/2017	Chen	.....	D14/447
D788,780 S *	6/2017	Chen	.....	D14/447
D788,781 S *	6/2017	Chen	.....	D14/447
D852,090 S *	6/2019	Bowerman	.....	D11/155
D868,573 S *	12/2019	Owens	.....	D8/394

- (21) Appl. No.: **29/650,171**
- (22) Filed: **Jun. 5, 2018**
- (51) **LOC (12) Cl.** ..... **23-01**
- (52) **U.S. Cl.**  
USPC ..... **D23/208**; D8/394; D8/395
- (58) **Field of Classification Search**  
USPC ..... D23/207, 208; D28/8.1; D8/381, 394, D8/395; D6/321, 323, 328  
CPC ... E03D 9/032; E03D 9/005; E03D 2009/024; E04H 17/1421; E04H 12/22; A61L 9/05; A63H 33/32; Y10T 24/14; Y10T 24/1486; Y10T 24/3958; Y10T 292/20  
See application file for complete search history.

- (56) **References Cited**  
U.S. PATENT DOCUMENTS  
D237,460 S \* 11/1975 Bordman ..... D8/373  
D384,736 S \* 10/1997 Goode ..... D23/208  
D407,419 S \* 3/1999 Burch ..... D15/28  
D421,289 S \* 2/2000 De Winter ..... D23/208  
D482,954 S \* 12/2003 Hoernig ..... D8/381  
D513,168 S \* 12/2005 Chu ..... D8/356  
D562,122 S \* 2/2008 Leman ..... D23/386  
D600,317 S \* 9/2009 Enever ..... D23/208  
D645,865 S \* 9/2011 Diehl ..... D14/299  
D657,664 S \* 4/2012 Boucher-Gagne ..... D8/394  
D658,050 S \* 4/2012 Boucher-Gagne ..... D8/394

**OTHER PUBLICATIONS**

<https://fmatic.com/product/gelair-toilet-bowl-clip/> (Year: 2019).\*  
<https://www.amazon.com/Fresh-Products-Toilet-Bowl-Freshener/> (Year: 2015).\*

\* cited by examiner

*Primary Examiner* — Manpreet S Matharu  
*Assistant Examiner* — Keith J Wilson  
(74) *Attorney, Agent, or Firm* — Roy Kiesel Ford Doody & North, APLC

(57) **CLAIM**

The ornamental design for a deodorizing dispenser, as shown and described.

**DESCRIPTION**

FIG. 1 is a front perspective view a deodorizing dispenser showing our new design;  
FIG. 2 is a top plan view thereof;  
FIG. 3 is a bottom plan view thereof;  
FIG. 4 is a front elevation view thereof;  
FIG. 5 is a rear elevation view thereof;  
FIG. 6 is a right elevation view thereof; and,  
FIG. 7 is a left elevation view thereof.

**1 Claim, 2 Drawing Sheets**

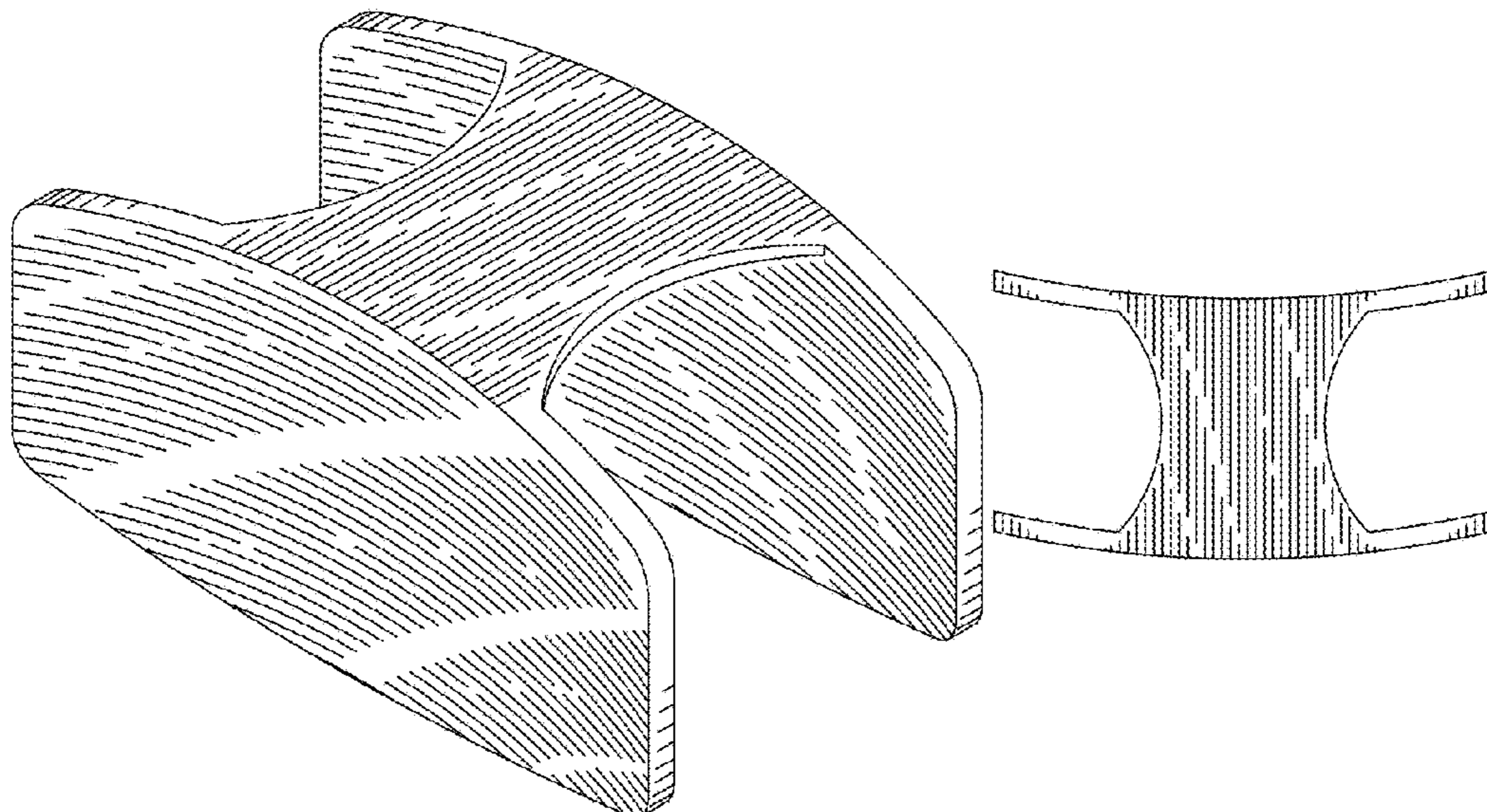


Fig 1

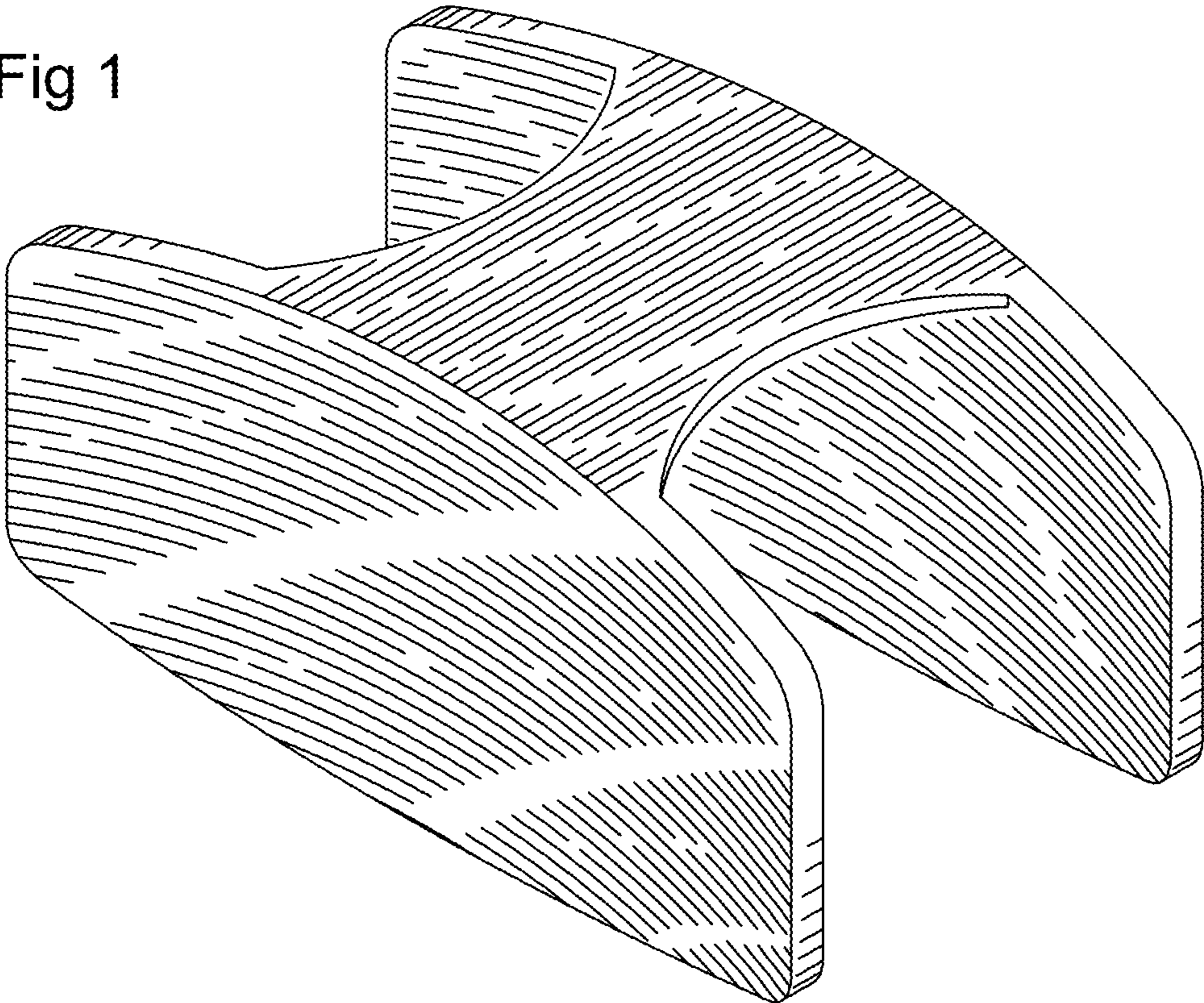


Fig 2

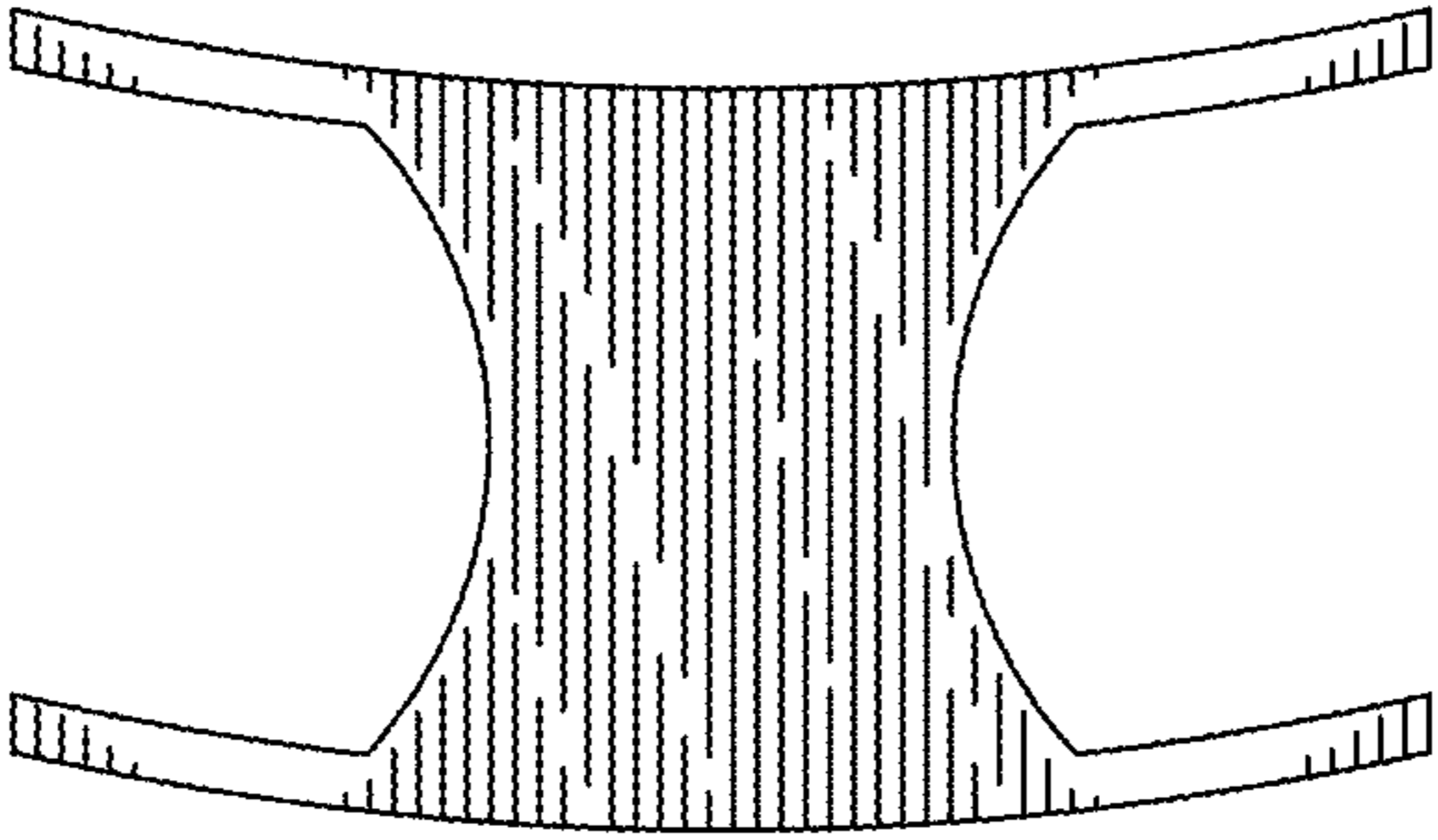


Fig 3

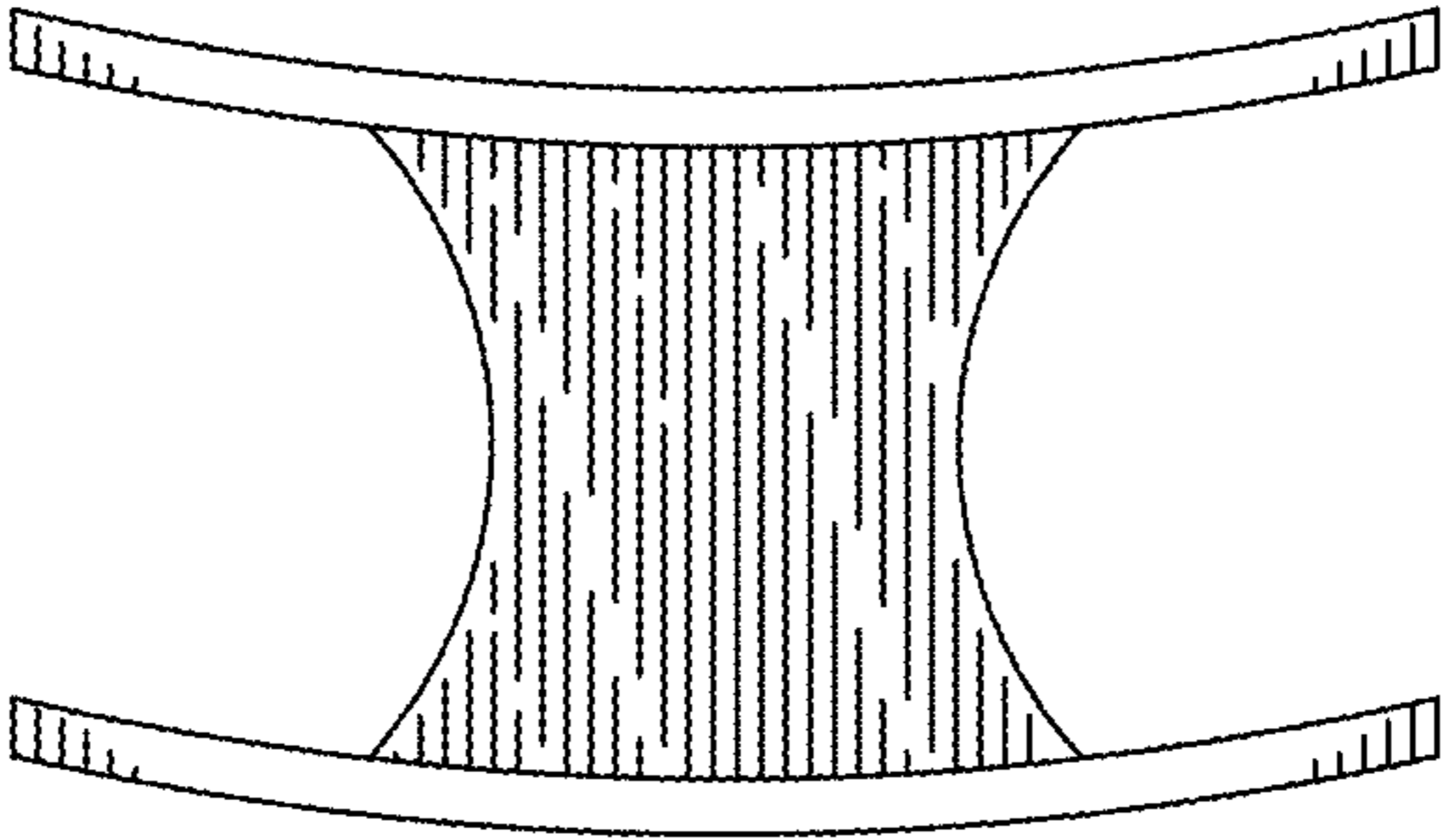


Fig 4

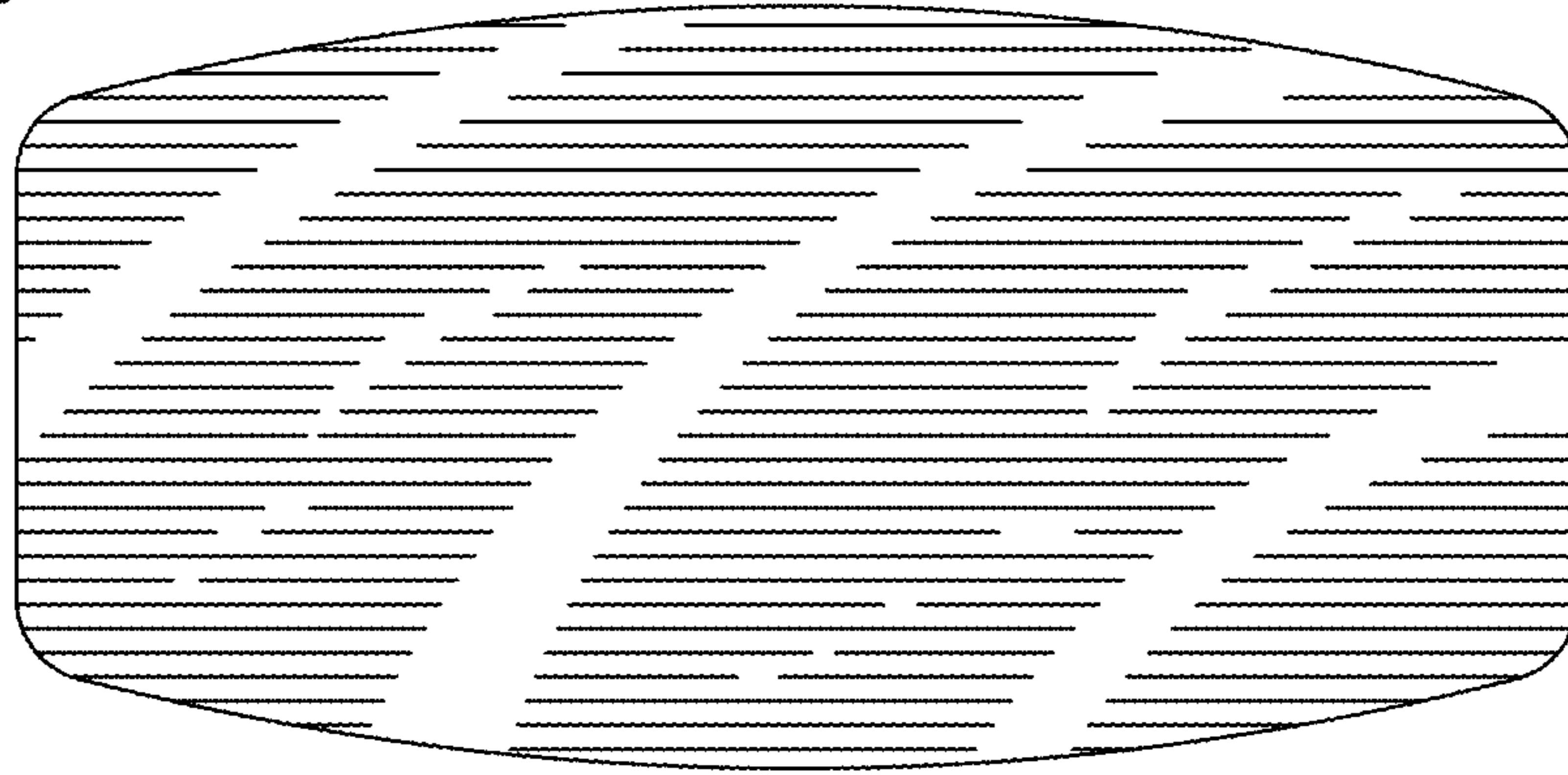


Fig 5

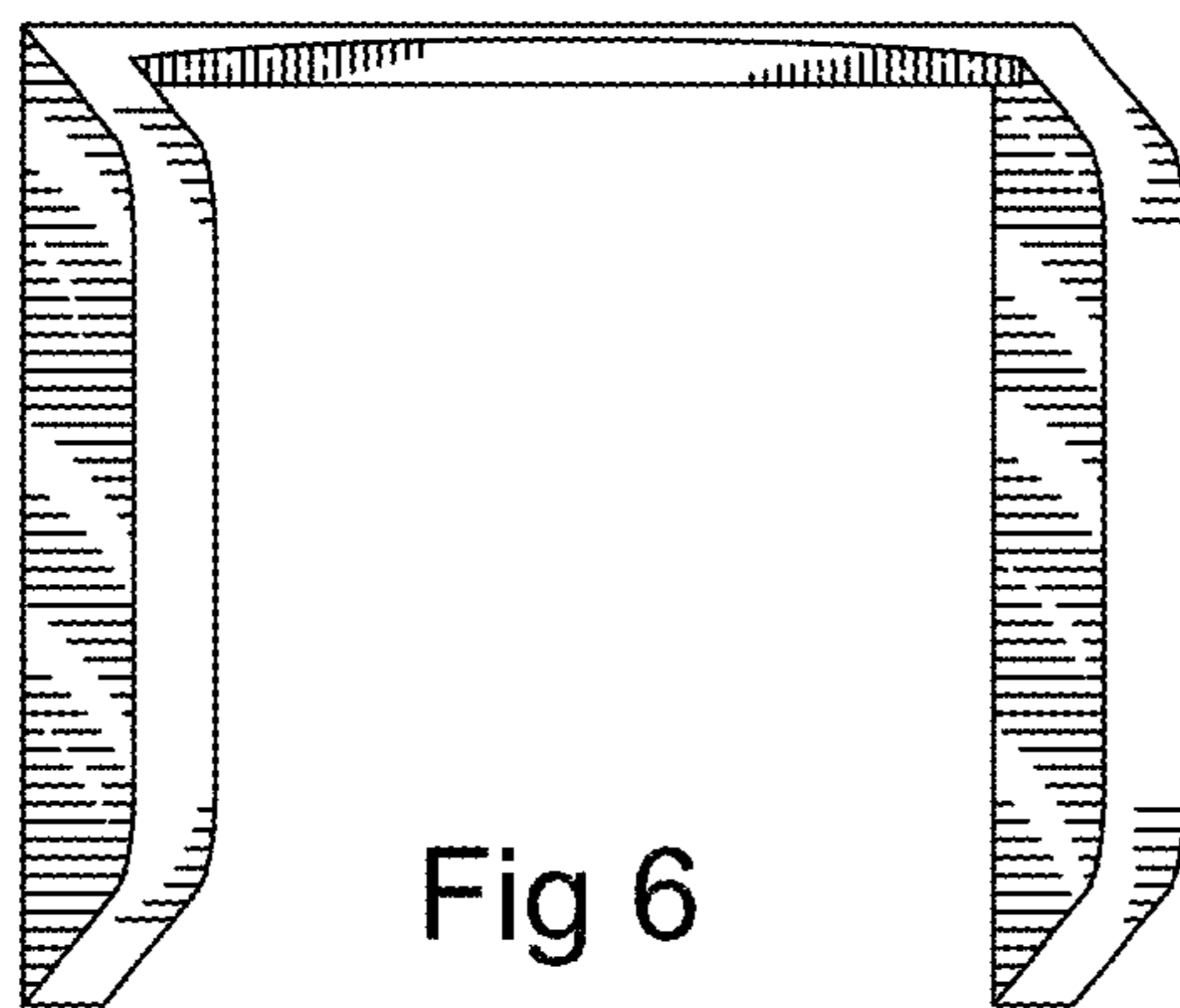
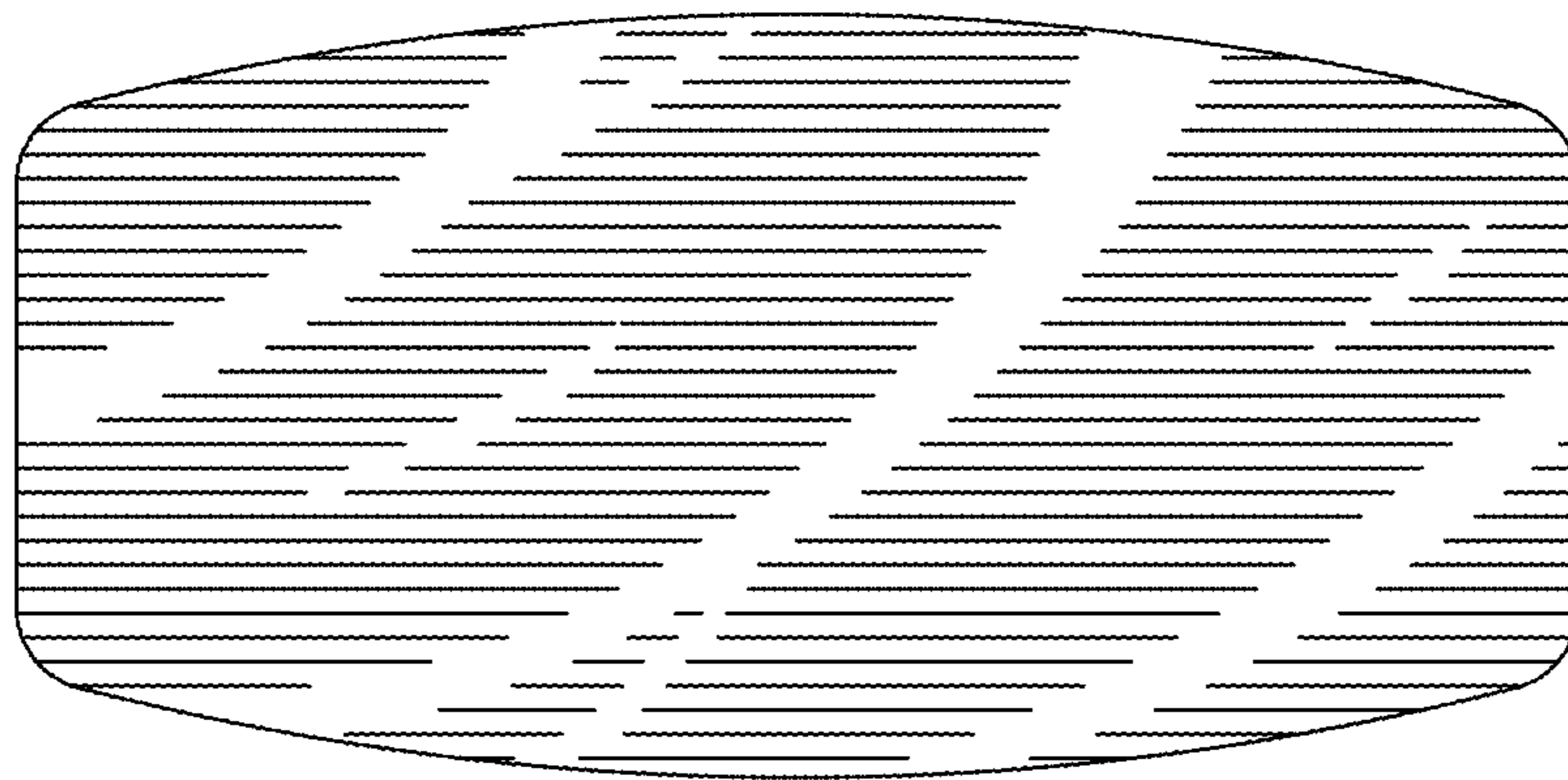


Fig 6

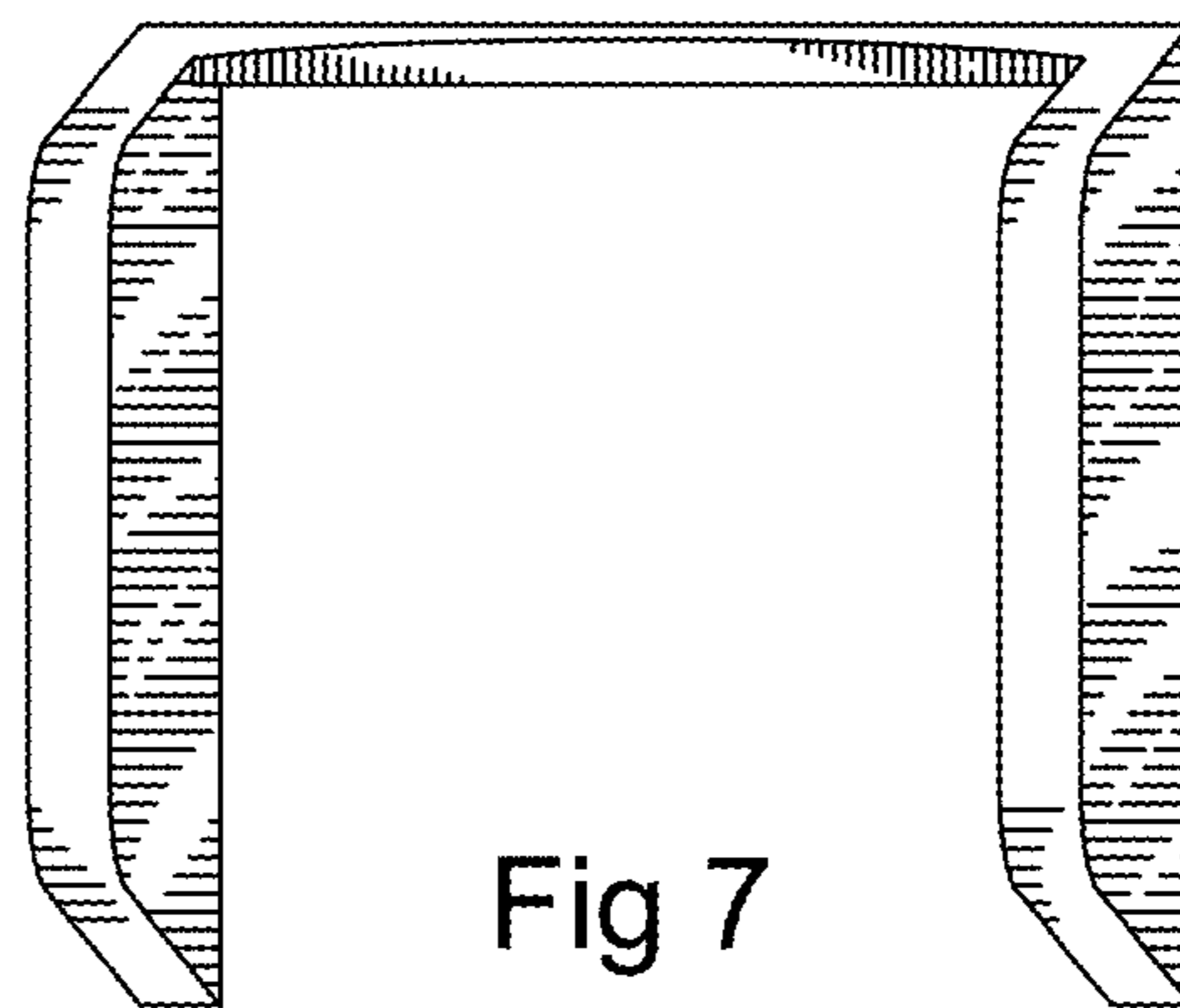


Fig 7