



US00D881334S

(12) **United States Design Patent**
Kremerman

(10) **Patent No.:** **US D881,334 S**

(45) **Date of Patent:** **** Apr. 14, 2020**

(54) **LAMINAR FLOW DISTRIBUTION ADAPTER**

(71) Applicant: **Elliot Kremerman**, Scotts Valley, CA
(US)

(72) Inventor: **Elliot Kremerman**, Scotts Valley, CA
(US)

(**) Term: **15 Years**

(21) Appl. No.: **29/657,265**

(22) Filed: **Jul. 20, 2018**

(51) **LOC (12) Cl.** **23-01**

(52) **U.S. Cl.**
USPC **D23/207**

(58) **Field of Classification Search**
USPC D23/200, 206, 207, 209, 260, 262, 266,
D23/366; D15/79, 81; D7/306;
D14/140.4, 188, 496; D24/108, 110,
D24/110.5, 127, 129, 222, 224
CPC B65D 47/06; A61M 15/086; A61M 15/00;
A61M 11/001; A61M 15/009
See application file for complete search history.

(56) **References Cited**

U.S. PATENT DOCUMENTS

3,271,935	A *	9/1966	Smith	B01D 5/006 55/434.4
D705,391	S *	5/2014	Okazaki	D23/207
D747,361	S *	1/2016	Franklin	D15/5
D802,084	S *	11/2017	Kremerman	D23/207
D805,599	S *	12/2017	Kremerman	D23/207
D805,600	S *	12/2017	Kremerman	D23/207
10,159,907	B2 *	12/2018	Kremerman	B01D 3/02
D841,119	S *	2/2019	Huang	D23/207
D849,184	S *	5/2019	Kremerman	D23/207
D849,187	S *	5/2019	Kremerman	D23/207
D850,576	S *	6/2019	Kremerman	D23/207
D855,754	S *	8/2019	Maibach, Jr.	D23/207

D875,880	S *	2/2020	Kremerman	D23/207
D875,881	S *	2/2020	Kremerman	D23/207
2008/0276998	A1 *	11/2008	Boyher	E03C 1/023 137/561 A
2018/0326322	A1 *	11/2018	Kremerman	B01D 3/02

OTHER PUBLICATIONS

Summit Research #24 Laminar Path MONOCOW [Feb. 19, 2020]
found online [Feb. 19, 2020]—<https://summit-research.tech/product/24-laminar-path/>.*

* cited by examiner

Primary Examiner — Brandon M Rosati

Assistant Examiner — John A Voytek

(74) *Attorney, Agent, or Firm* — Michael J. Feigin, Esq.;
Feigin and Fridman LLC

(57) **CLAIM**

The ornamental design for a laminar flow distribution adapter, as shown and described.

DESCRIPTION

FIG. 1 shows a top and side perspective view of a laminar flow distribution adapter.

FIG. 2 shows a bottom and reverse side perspective view thereof.

FIG. 3 shows a first side view thereof.

FIG. 4 shows a second side view thereof.

FIG. 5 shows a third side view thereof.

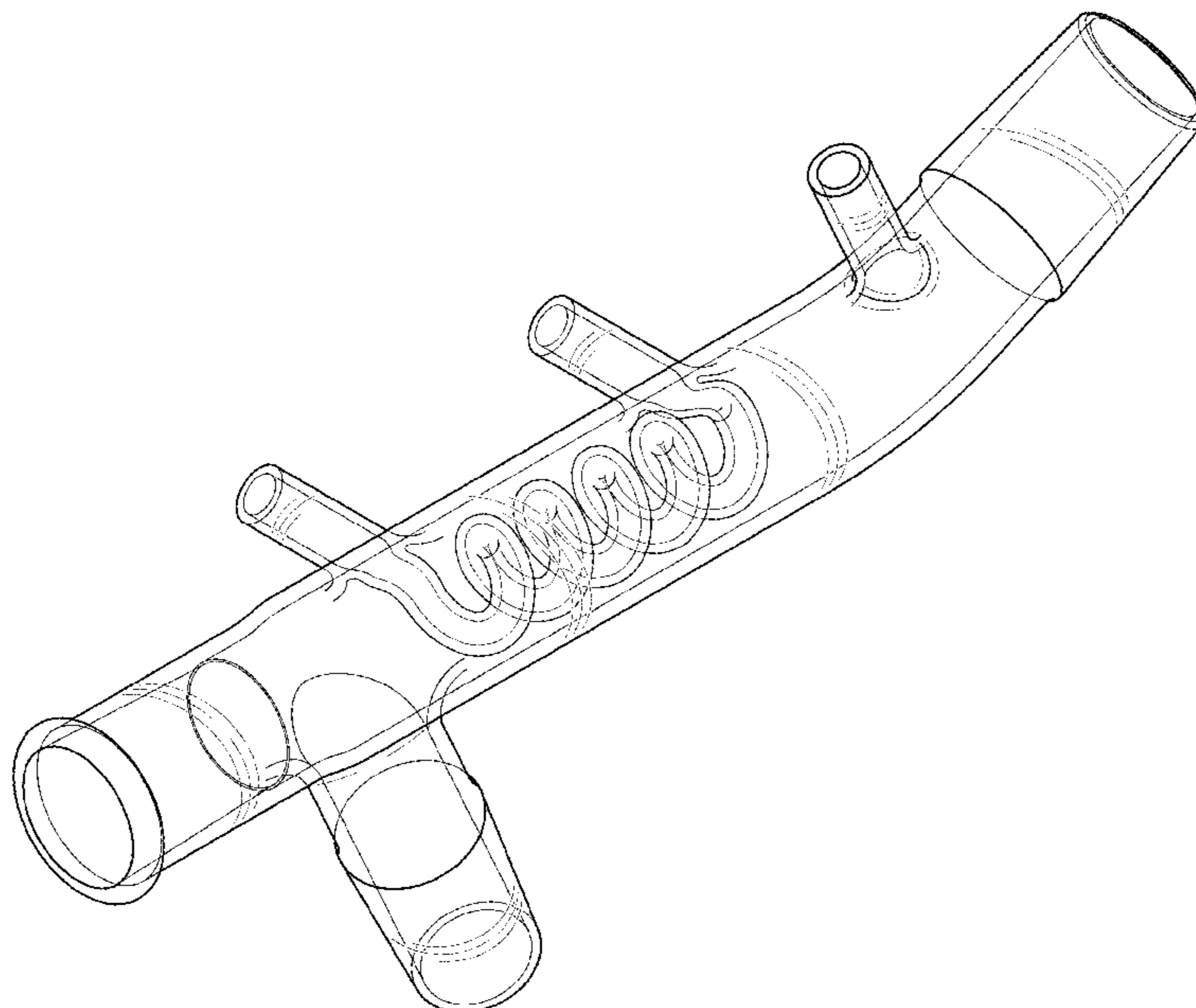
FIG. 6 shows a fourth side view thereof.

FIG. 7 shows a front view thereof.

FIG. 8 shows a rear view thereof; and,

FIG. 9 shows a cutaway view of the side.

1 Claim, 7 Drawing Sheets



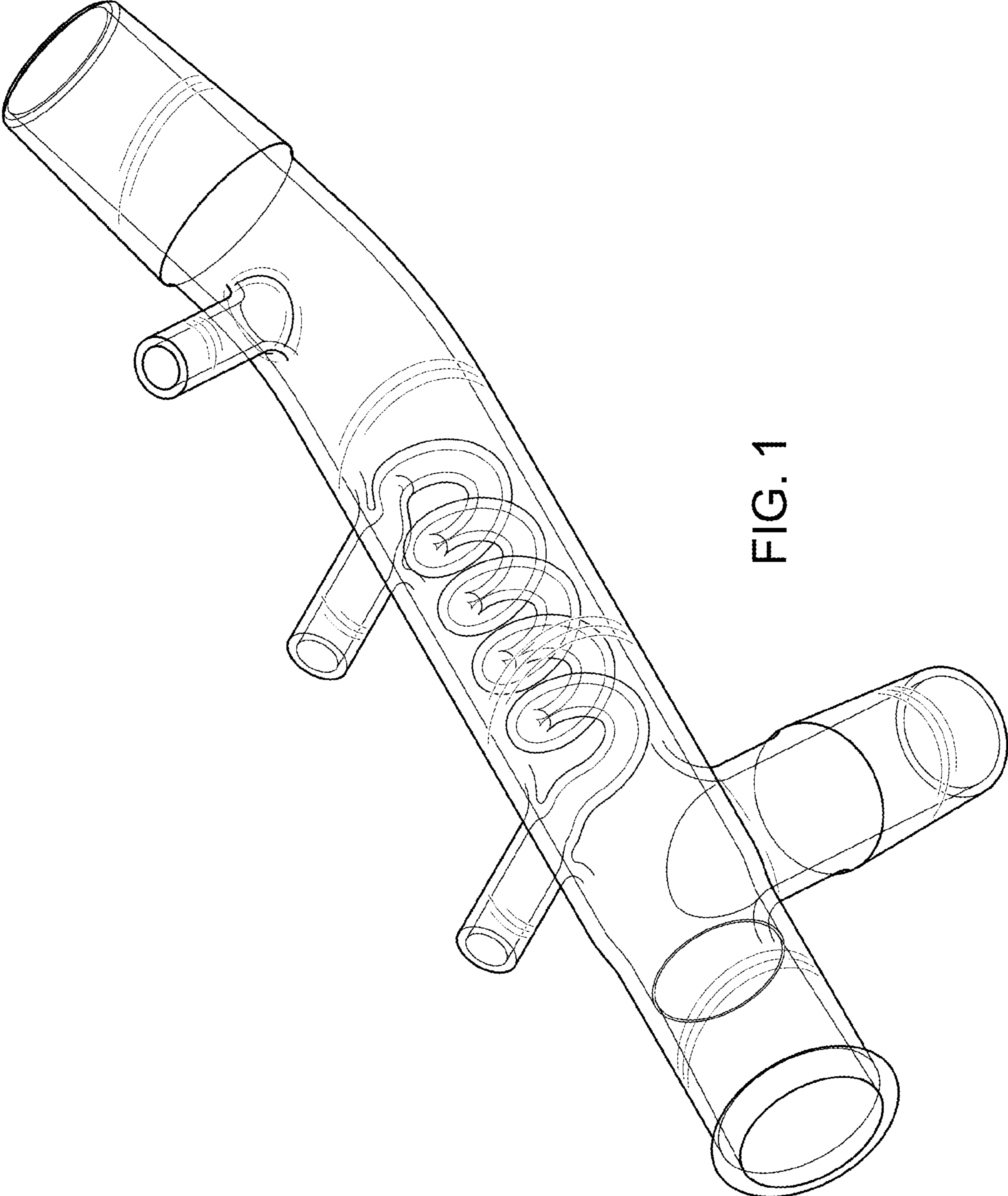


FIG. 1

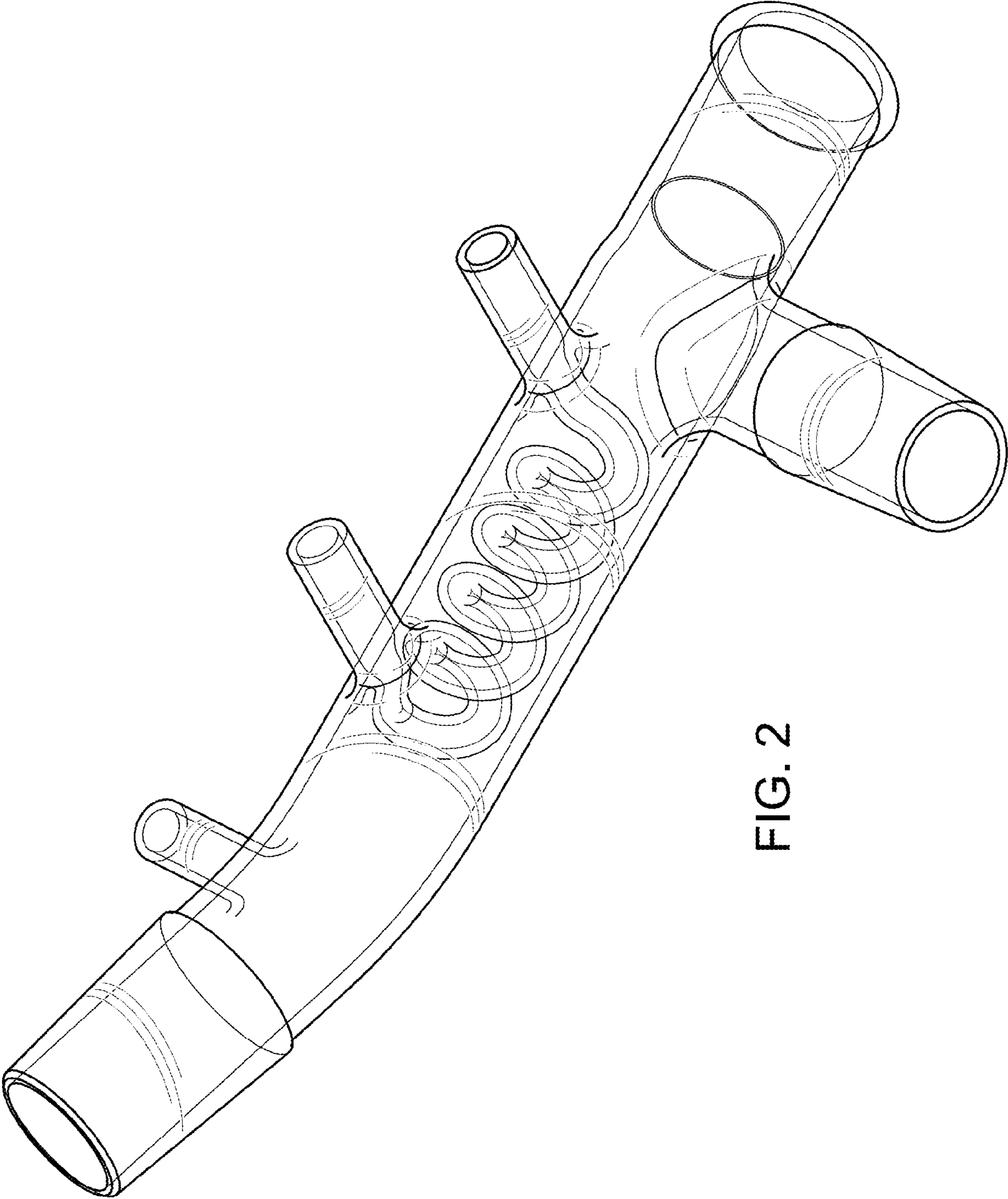


FIG. 2

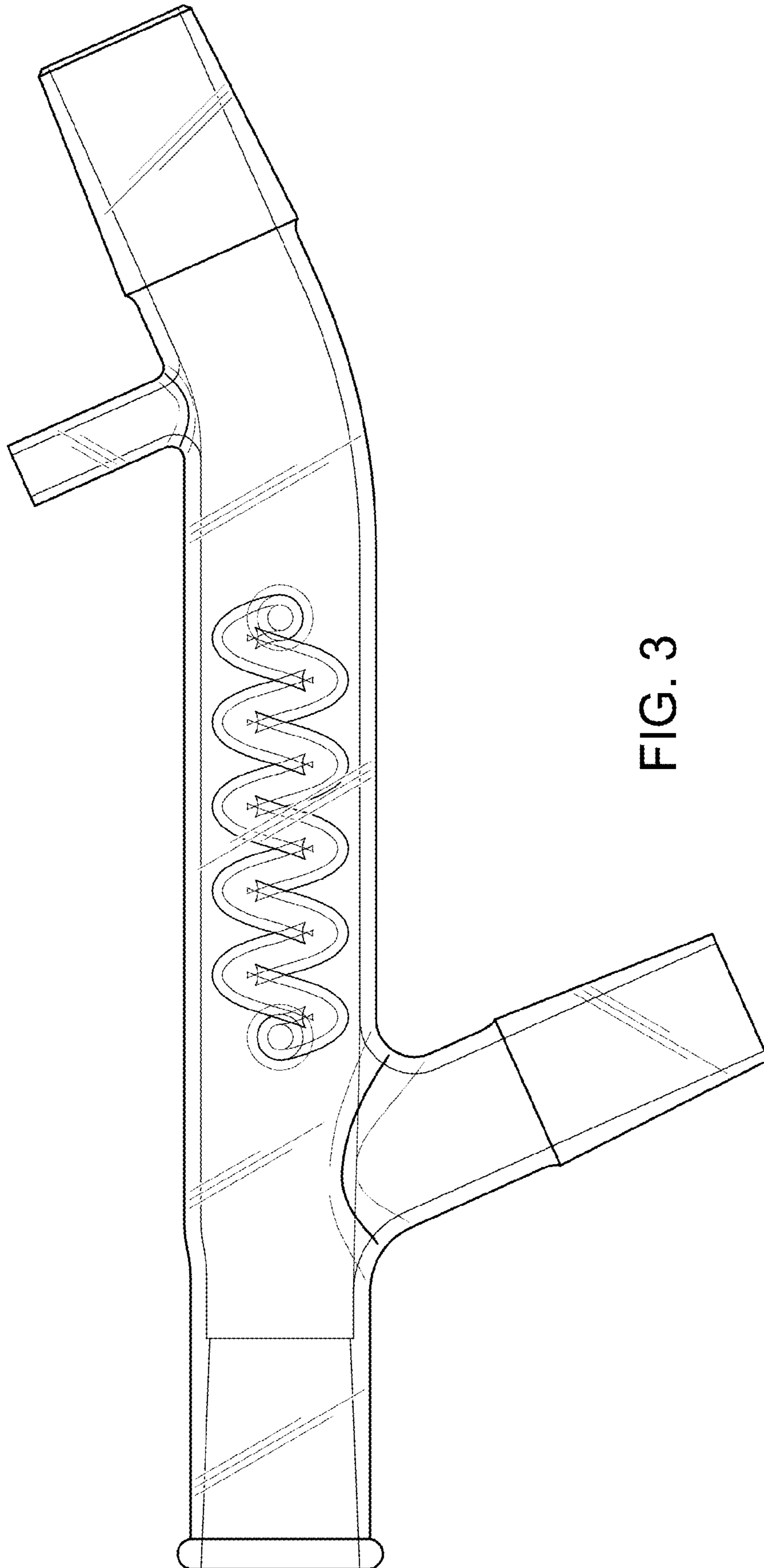


FIG. 3

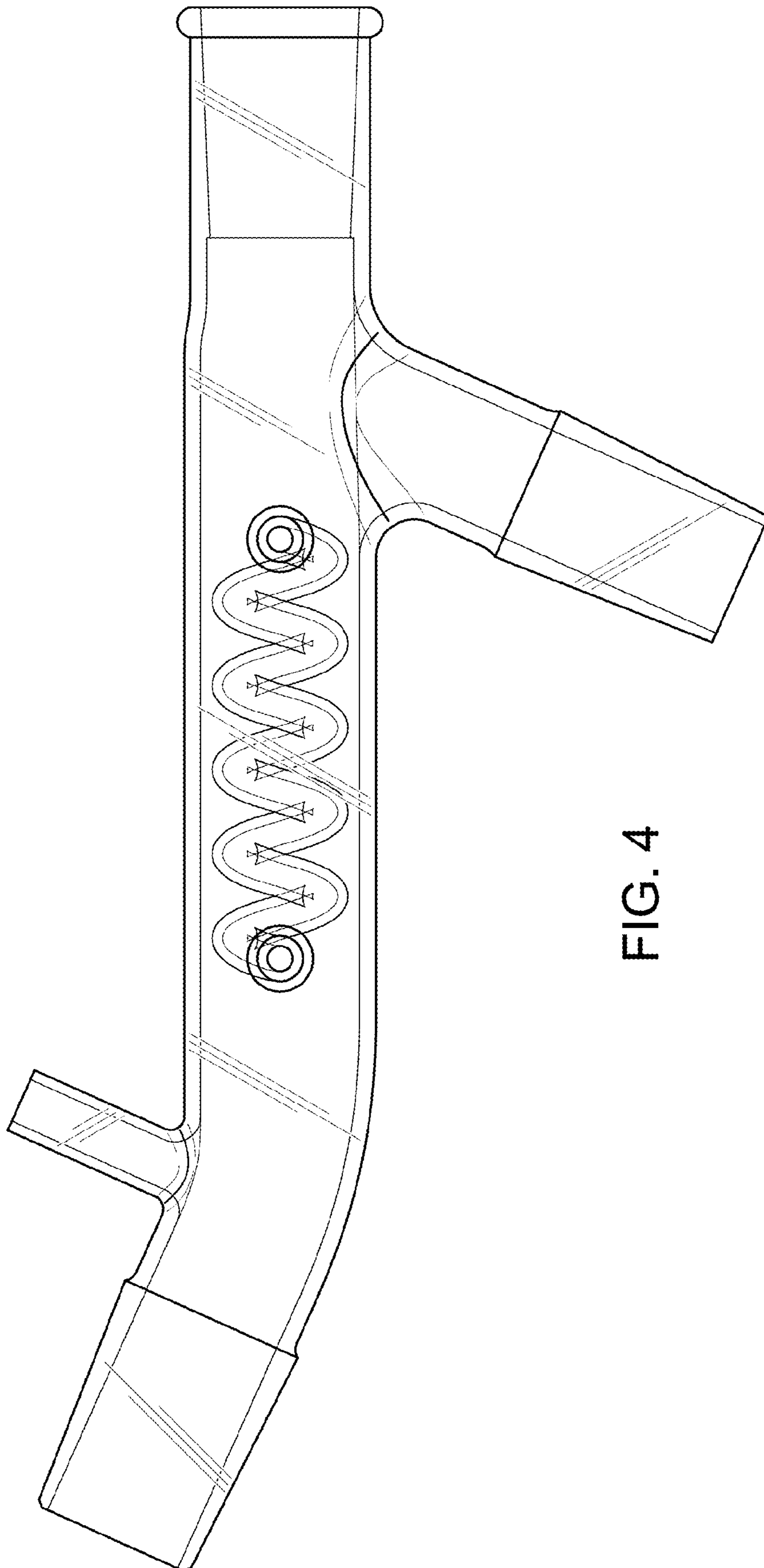


FIG. 4

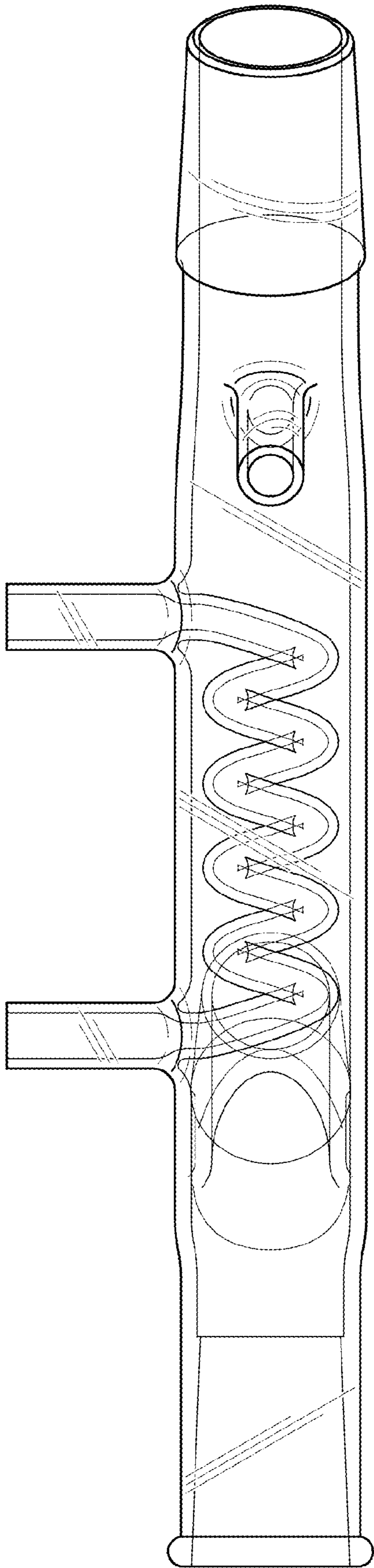


FIG. 5

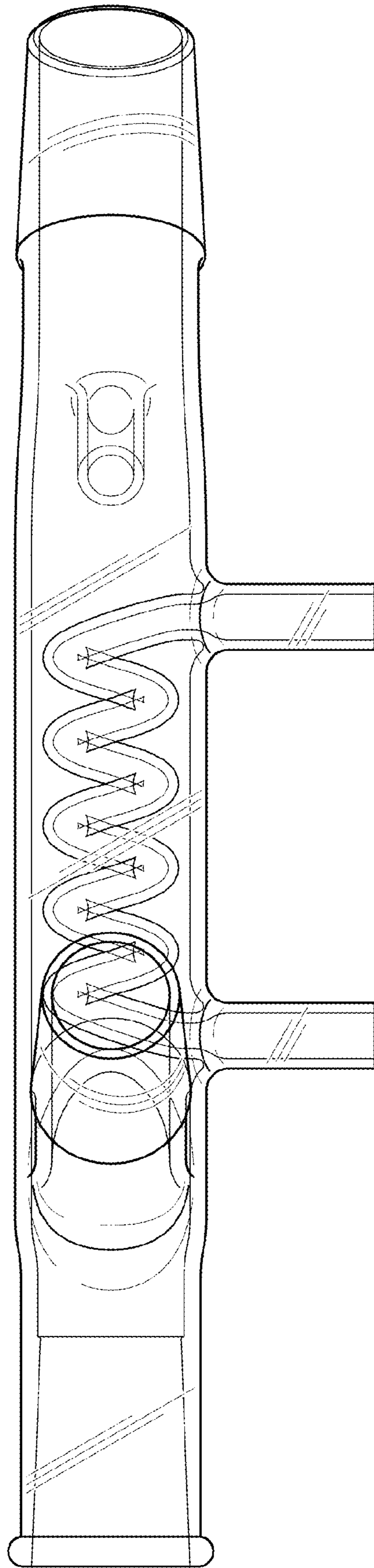


FIG. 6

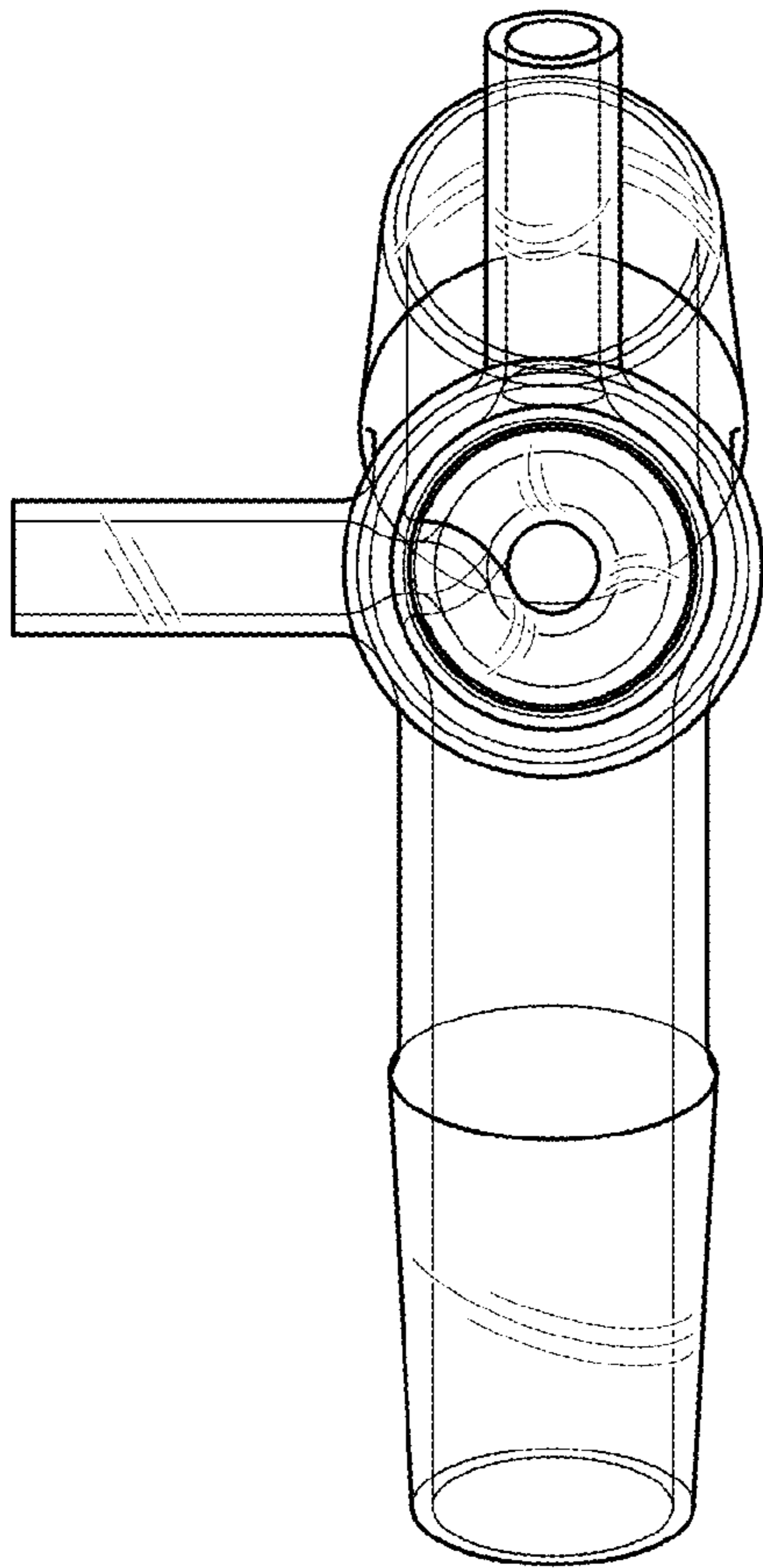


FIG. 7

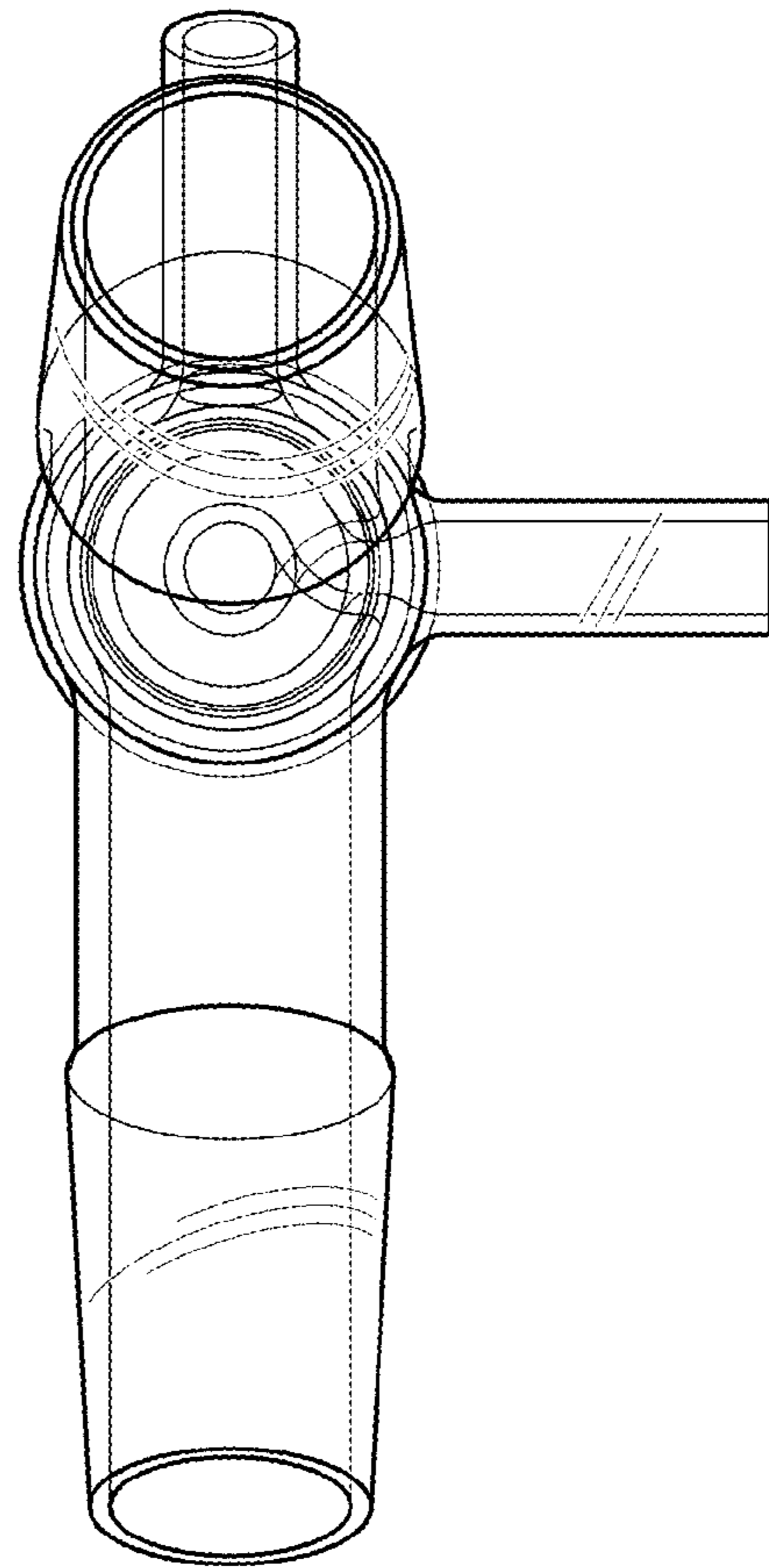


FIG. 8

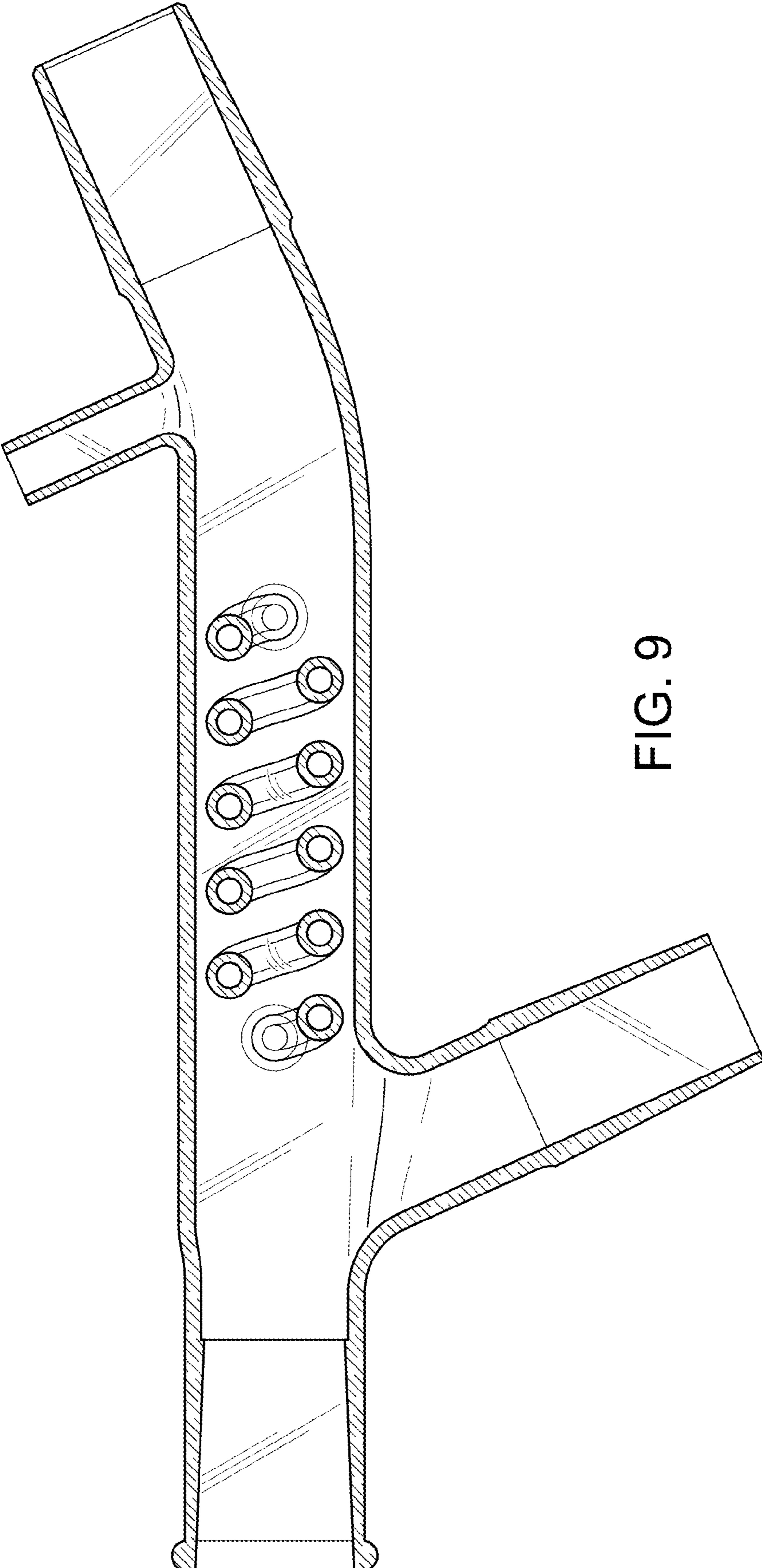


FIG. 9