

US00D881330S

(12) **United States Design Patent** (10) **Patent No.:** **US D881,330 S**
Long (45) **Date of Patent:** **** Apr. 14, 2020**

(54) **ELECTRONIC MOUSE AND INSECT REPELLENT**

(71) Applicant: **Hui Jian Long**, Wugang (CN)

(72) Inventor: **Hui Jian Long**, Wugang (CN)

(**) Term: **15 Years**

(21) Appl. No.: **29/676,291**

(22) Filed: **Jan. 10, 2019**

(51) **LOC (12) Cl.** **22-06**

(52) **U.S. Cl.**
USPC **D22/120**

(58) **Field of Classification Search**
USPC D22/119–120; 43/111–113, 124, 129,
43/131, 132.1, 144; D23/366–369
CPC A01M 1/04; A01M 1/08; A01M 29/12;
A01M 29/16; A01M 29/34; A01M 29/28;
A01N 37/44; A01N 43/16; A01N 49/00
See application file for complete search history.

(56) **References Cited**

U.S. PATENT DOCUMENTS

D780,878 S * 3/2017 Zhang D22/120
D829,847 S * 10/2018 Gu D22/120

D829,848 S * 10/2018 Gu D22/120
D829,876 S * 10/2018 Arinsmier D23/366
D836,748 S * 12/2018 Gu D22/120
D847,296 S * 4/2019 Gu D22/120
D852,312 S * 6/2019 Gu D22/120
D856,465 S * 8/2019 Long D22/120
D856,466 S * 8/2019 Long D22/120
D857,147 S * 8/2019 Gu D22/120

* cited by examiner

Primary Examiner — Catherine R Oliver-Garcia
(74) *Attorney, Agent, or Firm* — Wayne & Ken, LLC;
Tony Hom

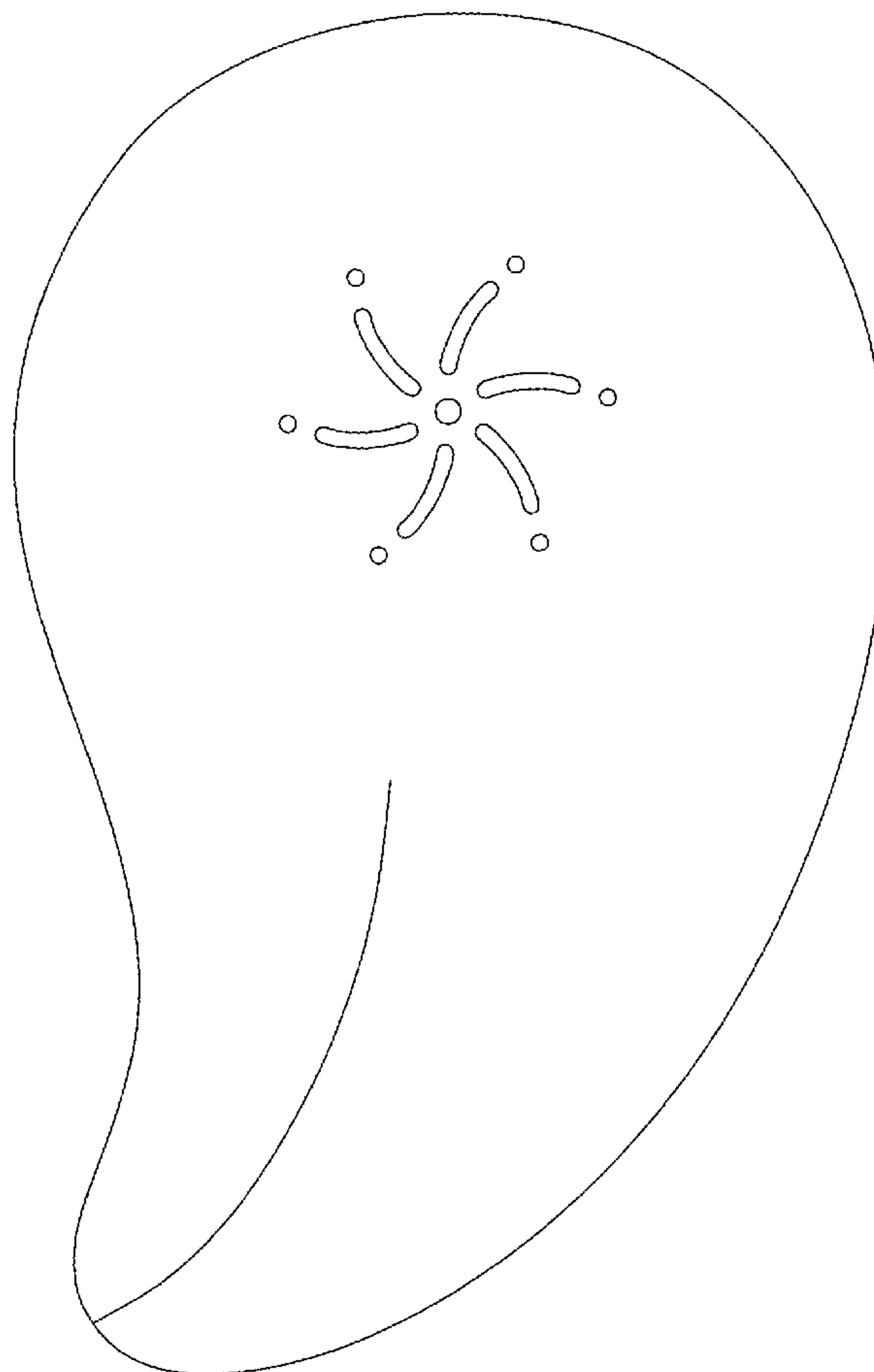
(57) **CLAIM**

The ornamental design for an electronic mouse and insect repellent, as shown and described.

DESCRIPTION

FIG. 1 is a front elevation view of a electronic mouse and insect repellent showing my new design;
FIG. 2 is a rear elevation view thereof;
FIG. 3 is a left side elevation view thereof;
FIG. 4 is a right side elevation view thereof;
FIG. 5 is a top plan view thereof;
FIG. 6 is a bottom plan view thereof; and,
FIG. 7 is a front, right perspective view thereof.

1 Claim, 7 Drawing Sheets



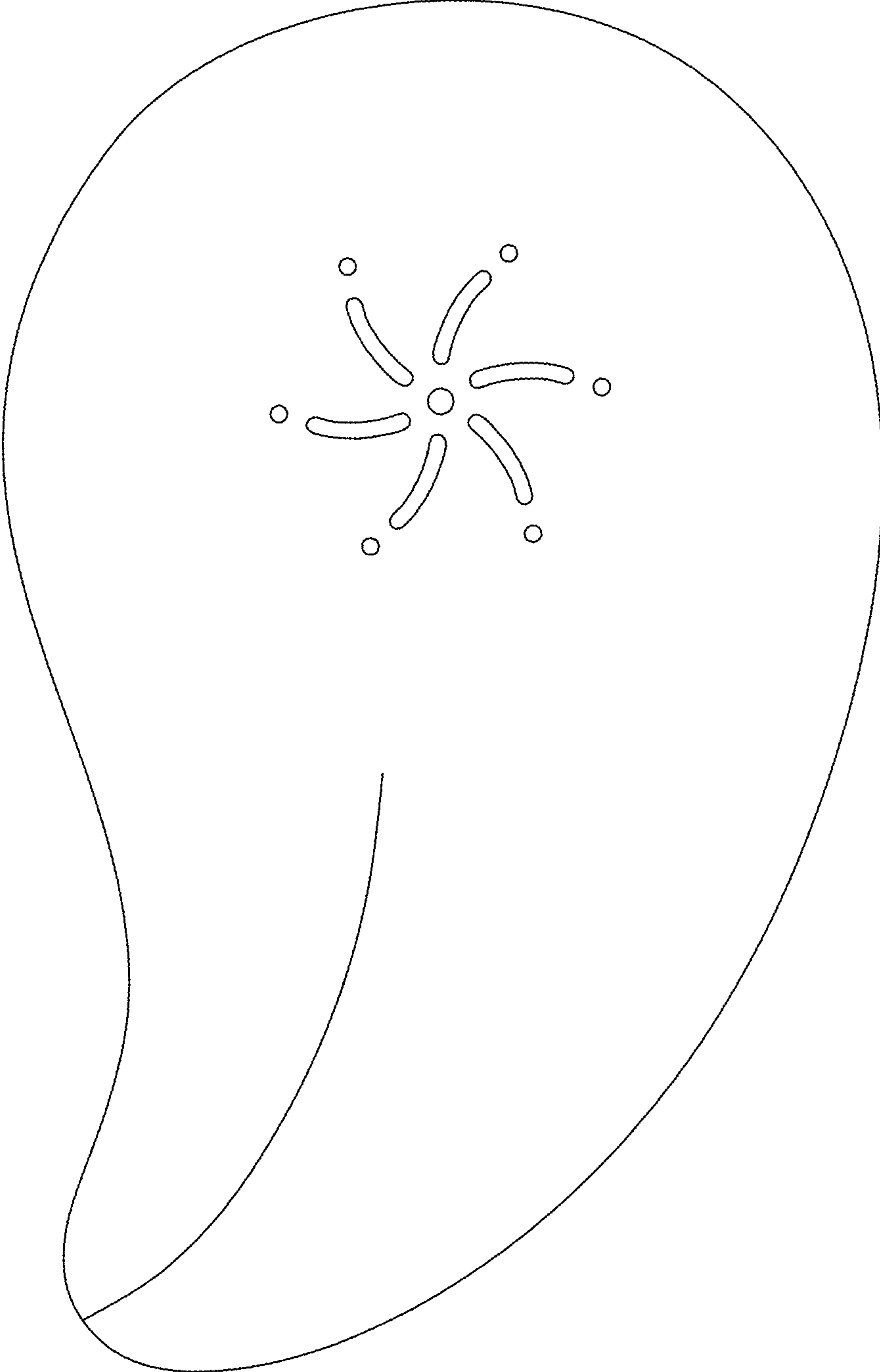


FIG. 1

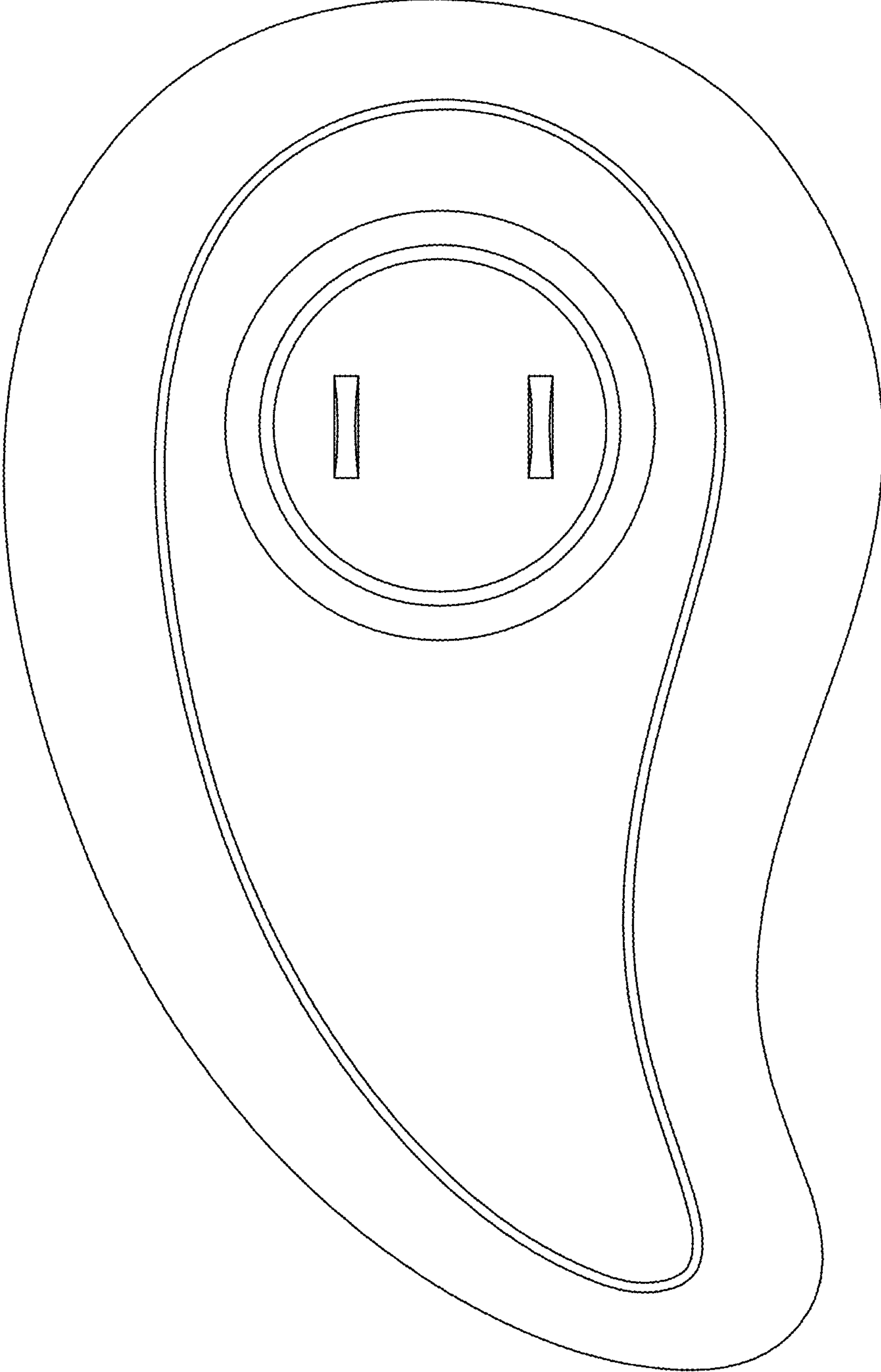


FIG.2

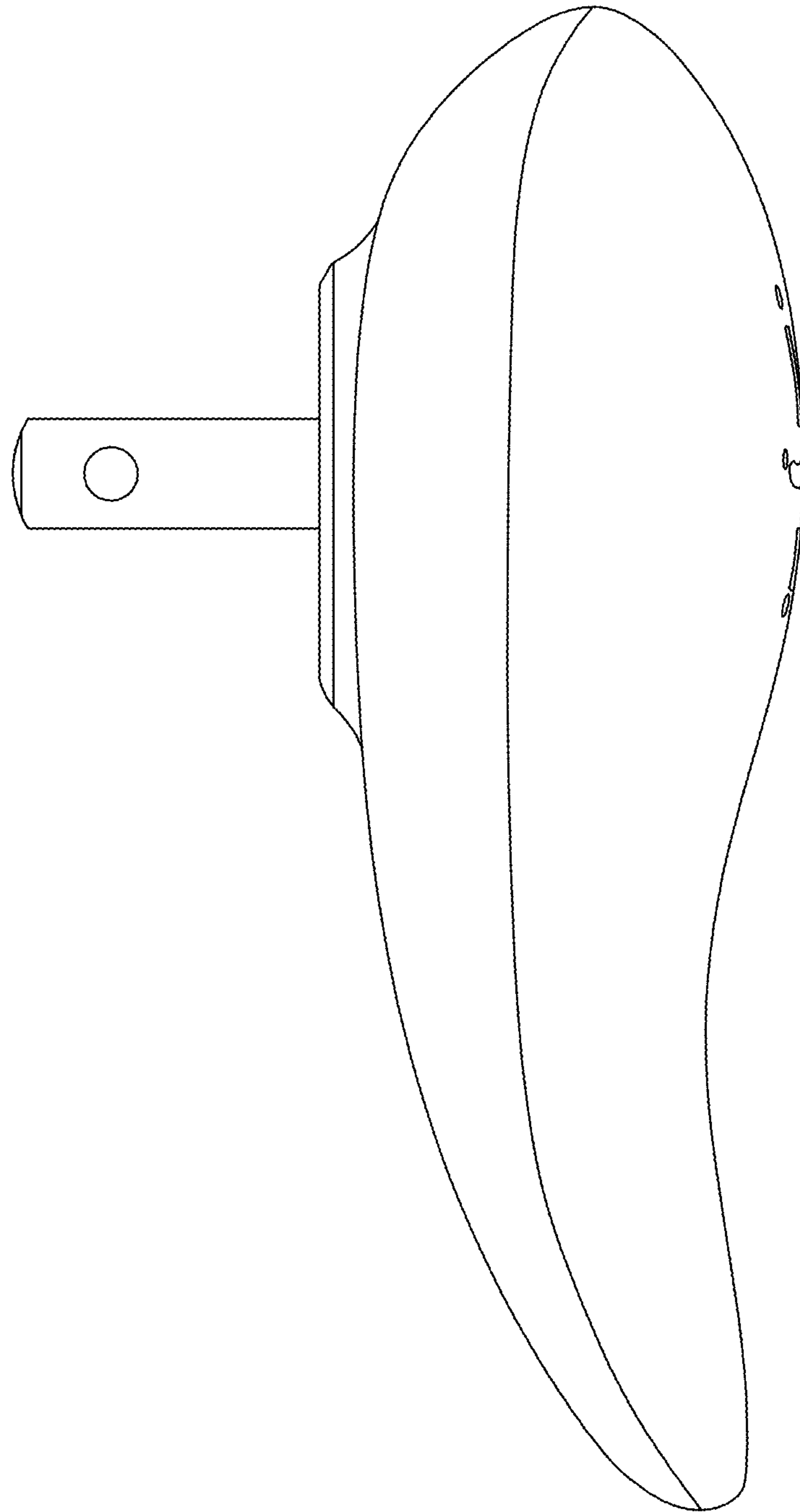


FIG. 3

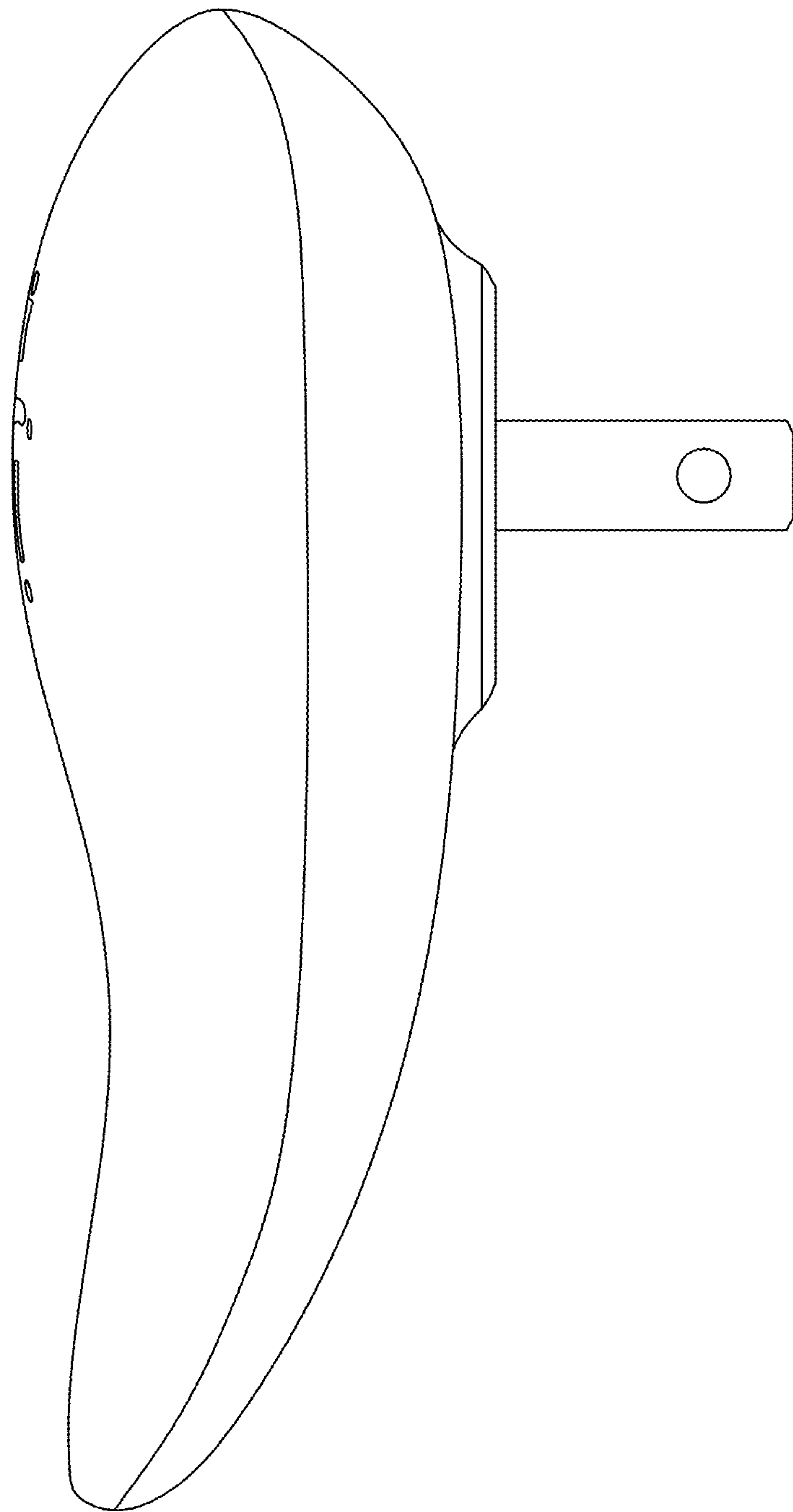


FIG. 4

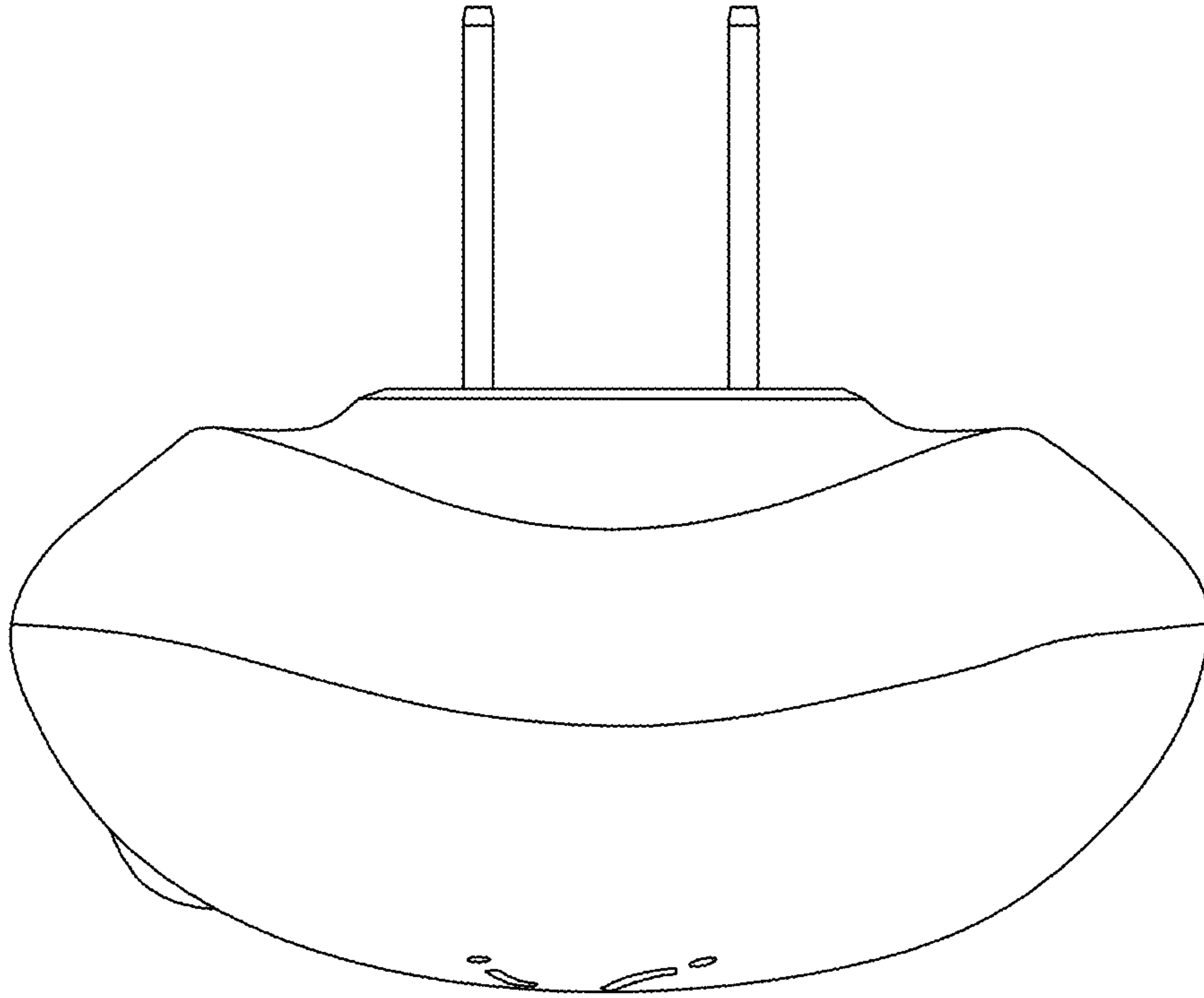


FIG.5

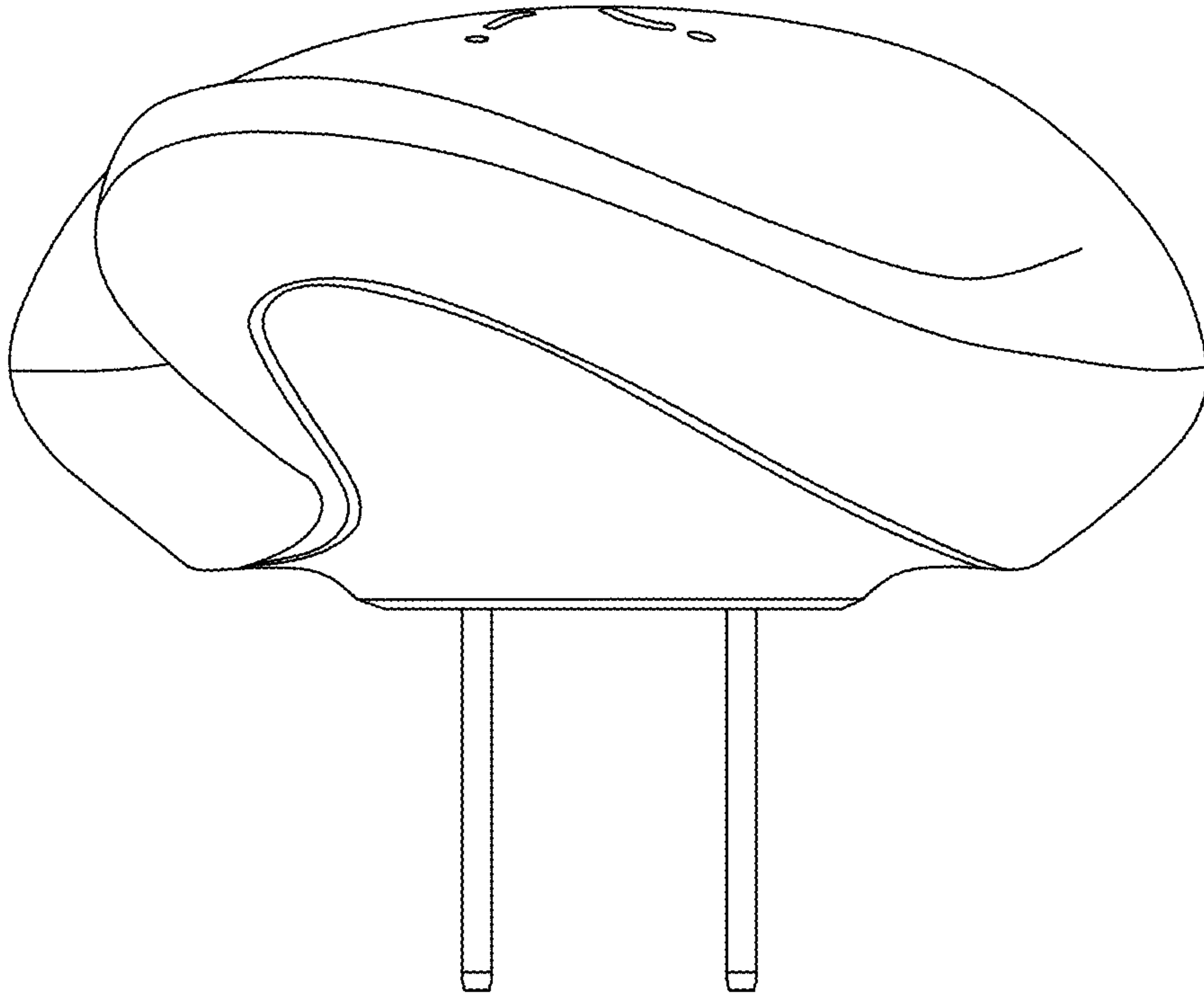


FIG.6

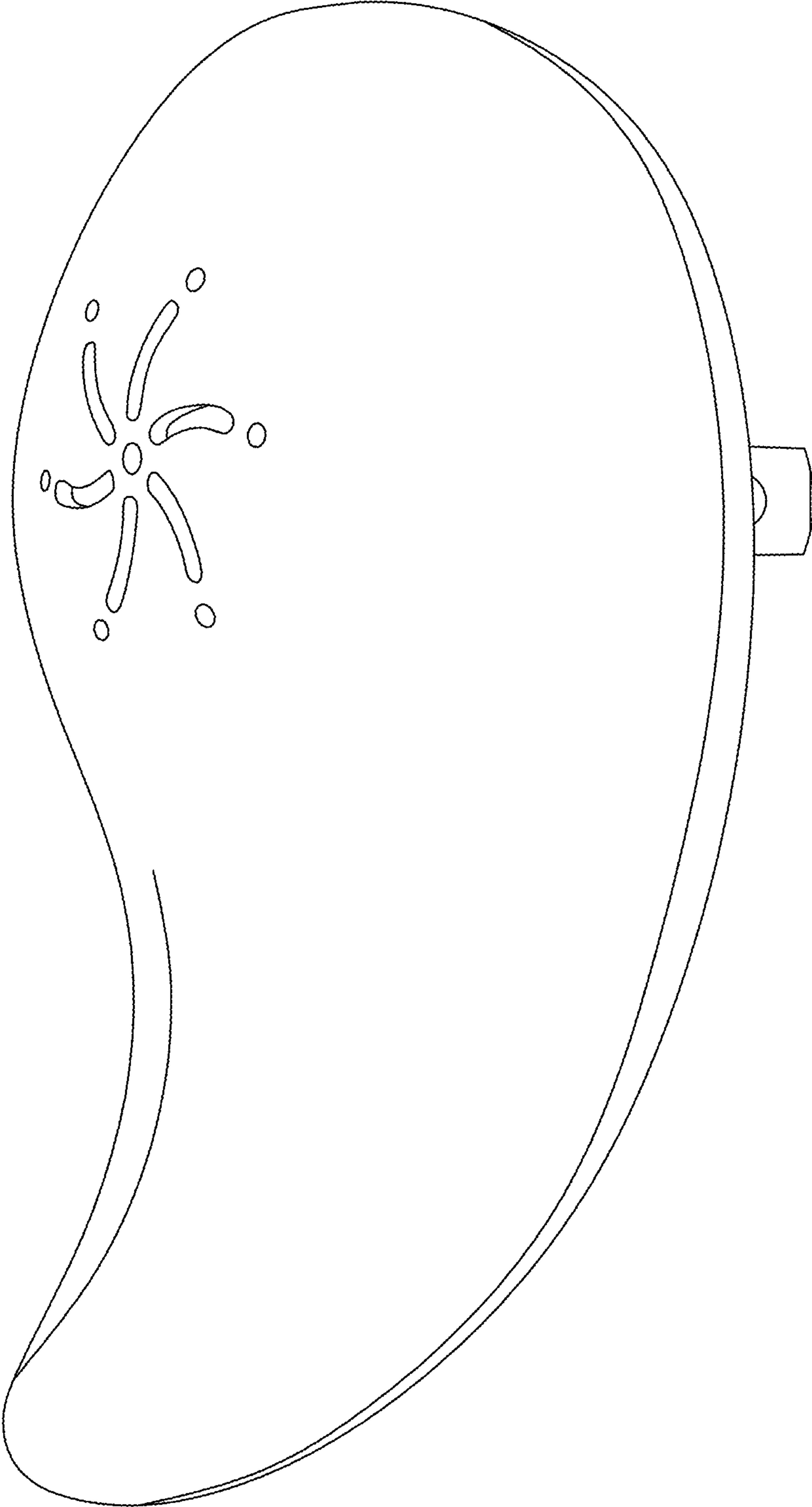


FIG.7