



US00D881329S

(12) **United States Design Patent**
Towne

(10) **Patent No.:** **US D881,329 S**

(45) **Date of Patent:** **** Apr. 14, 2020**

(54) **BIRD SPINNER**

(71) Applicant: **KNESS MFG. CO., INC.**, Albia, IA
(US)

(72) Inventor: **Dennis Towne**, Warrensburg, MO (US)

(73) Assignee: **KNESS MFG. CO., INC.**, Albia, IA
(US)

(**) Term: **15 Years**

(21) Appl. No.: **29/671,607**

(22) Filed: **Nov. 28, 2018**

(51) **LOC (12) Cl.** **22-06**

(52) **U.S. Cl.**
USPC **D22/120**

(58) **Field of Classification Search**
USPC D22/119–124; D21/458; D25/1;
43/112–114, 121, 124, 131, 132.1, 137;
367/139
CPC A01M 29/00; A01M 29/16; A01M 29/34;
A01M 29/28; A01M 2200/011; A01M
2200/012; A01M 1/106
See application file for complete search history.

(56) **References Cited**

U.S. PATENT DOCUMENTS

1,380,325 A	5/1921	Schlirf	
2,795,894 A	6/1957	Hughes	
3,786,583 A	1/1974	Revor	
4,109,605 A	8/1978	Bachli	
D359,099 S *	6/1995	Sugimoto D21/458
6,351,908 B1	3/2002	Thomas	

6,557,482 B1	5/2003	Doty et al.	
D534,236 S *	12/2006	Zecher D22/120
D807,467 S *	1/2018	Kotze D22/120
D807,468 S *	1/2018	Kotze D22/120
D829,299 S *	9/2018	Kaps D22/120
2013/0014692 A1	1/2013	Lee	

FOREIGN PATENT DOCUMENTS

JP 06181672 A 7/1994

* cited by examiner

Primary Examiner — Catherine R Oliver-Garcia
(74) *Attorney, Agent, or Firm* — Nyemaster Goode, P.C.

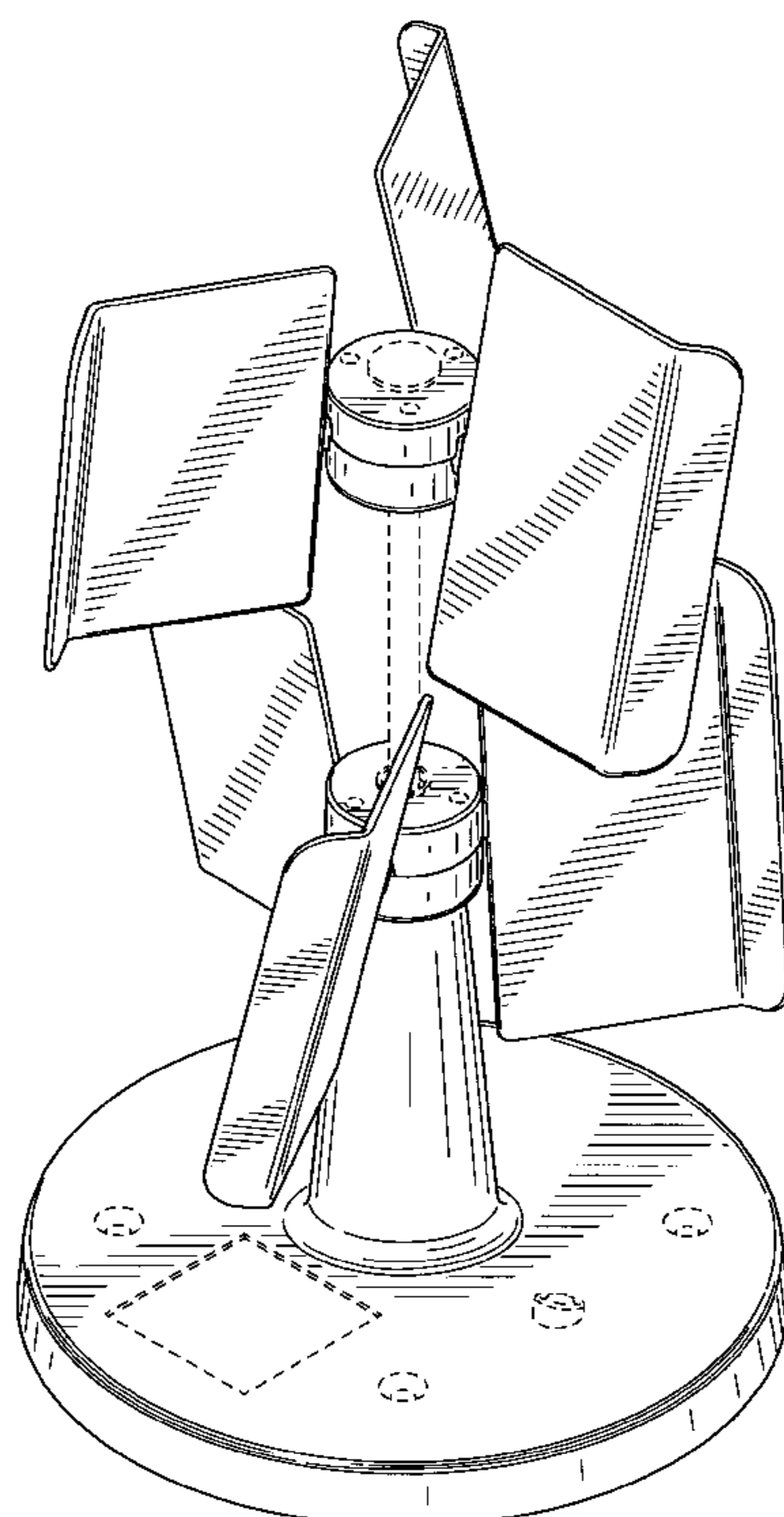
(57) **CLAIM**

I claim the ornamental design for a bird spinner, as shown and described.

DESCRIPTION

FIG. 1 is a top and front perspective view of a bird spinner showing the new design;
FIG. 2 is a bottom and front perspective view thereof;
FIG. 3 is a front elevation view thereof;
FIG. 4 is a rear elevation view thereof;
FIG. 5 is a right side elevation view thereof;
FIG. 6 is a left side elevation view thereof;
FIG. 7 is a top plan view thereof; and,
FIG. 8 is a bottom plan view thereof.
The broken lines in the figures are for contextual purposes or show the environment and form no part of the claimed design.

1 Claim, 8 Drawing Sheets



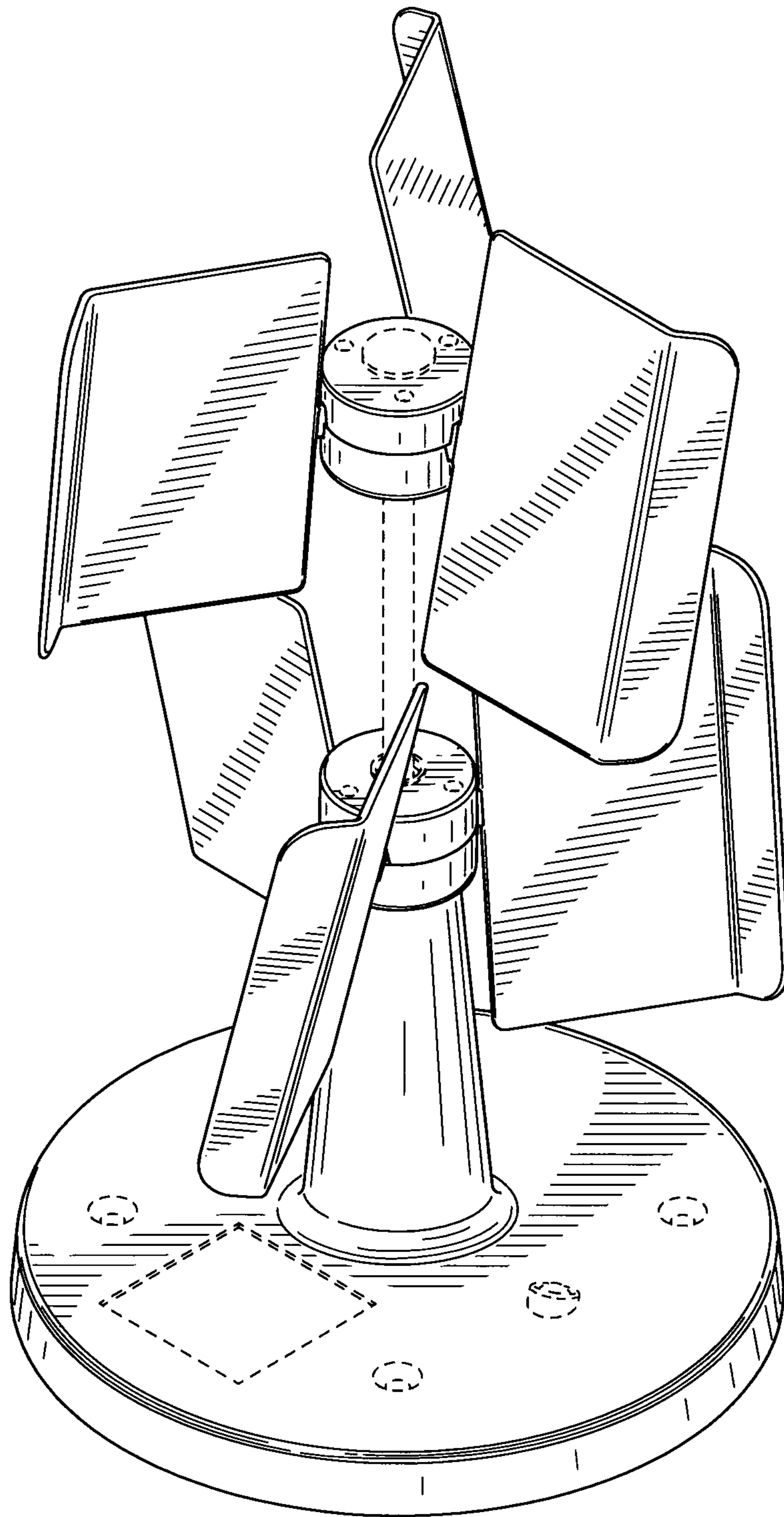


FIG. 1

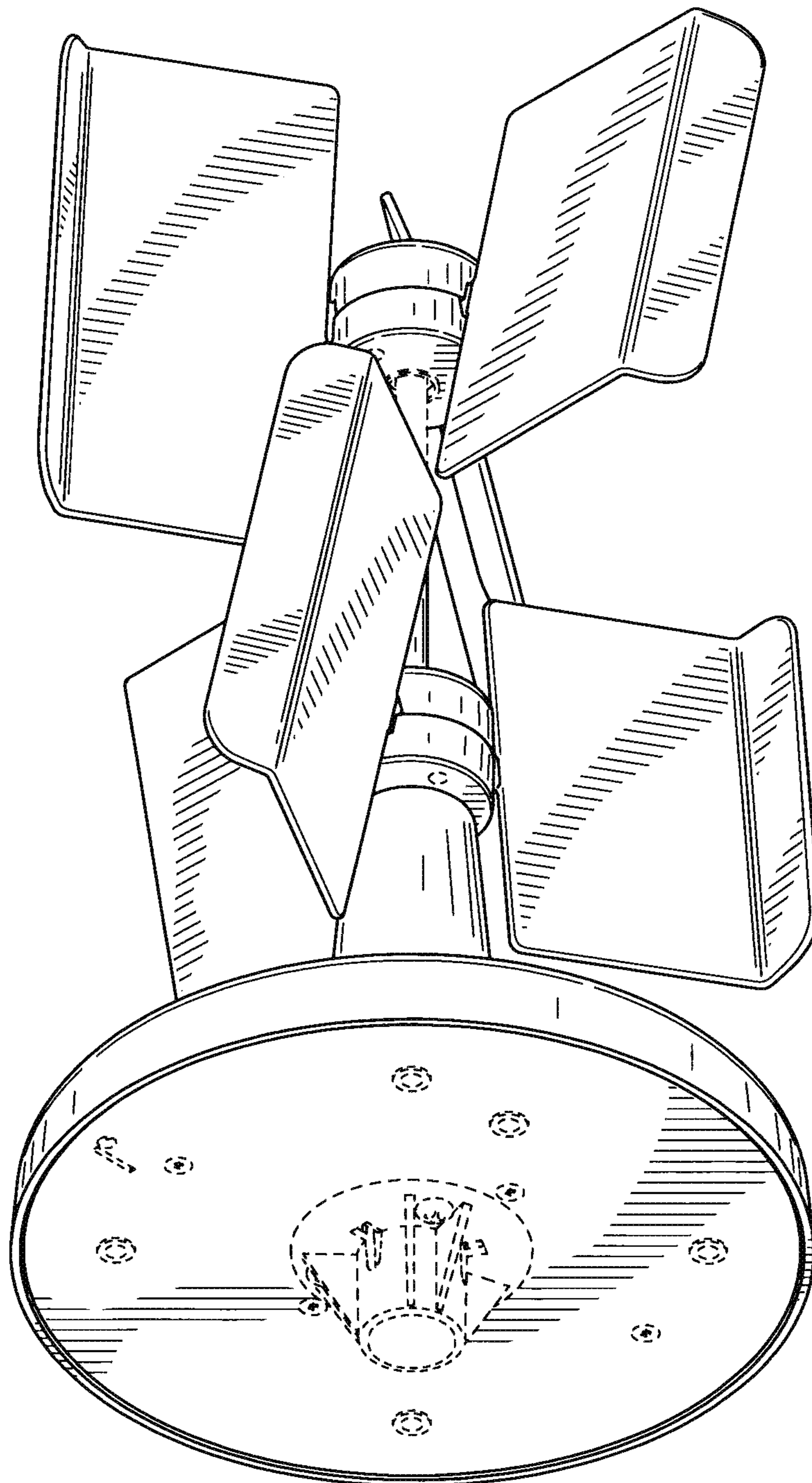


FIG. 2

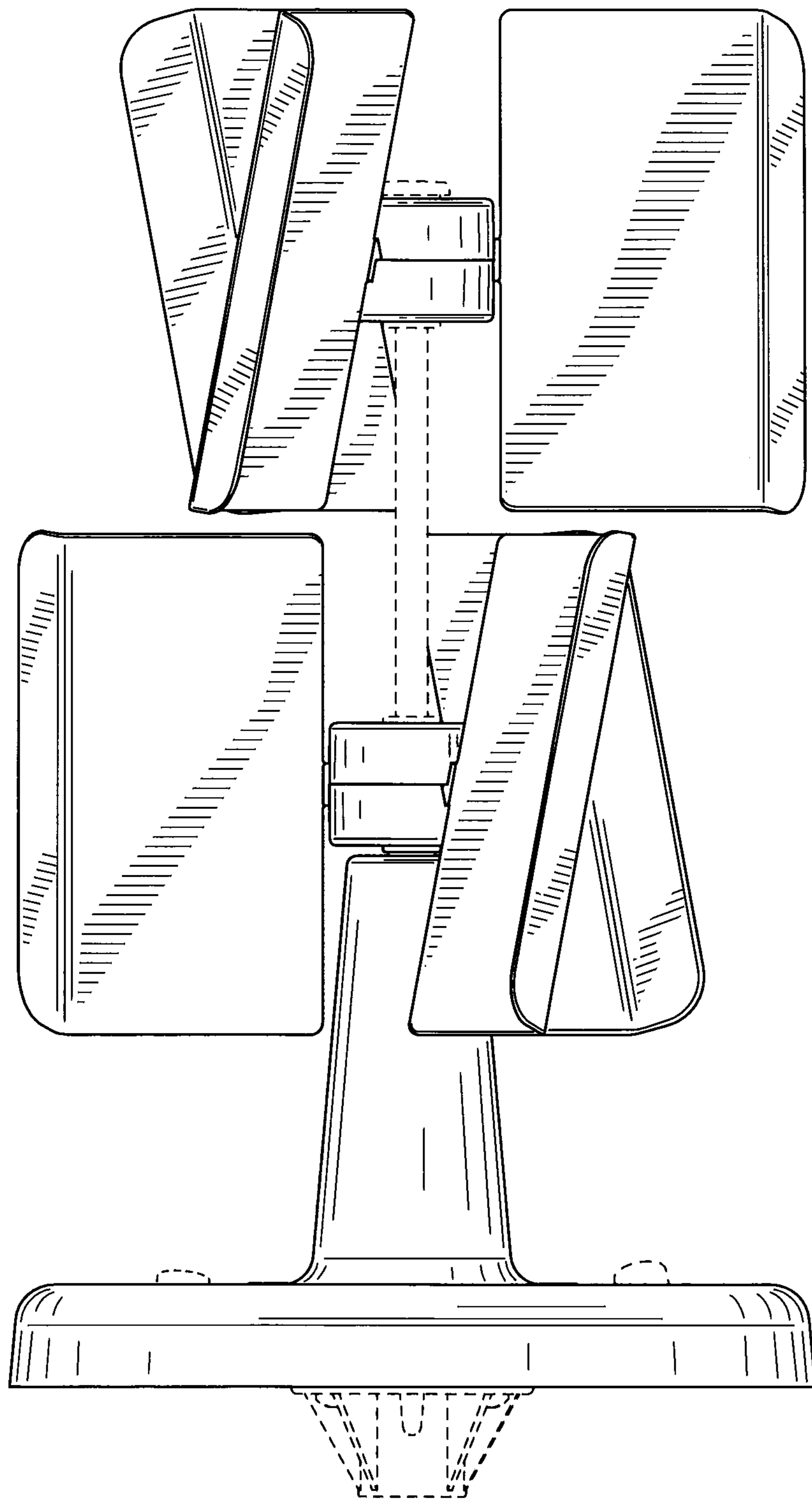


FIG. 3

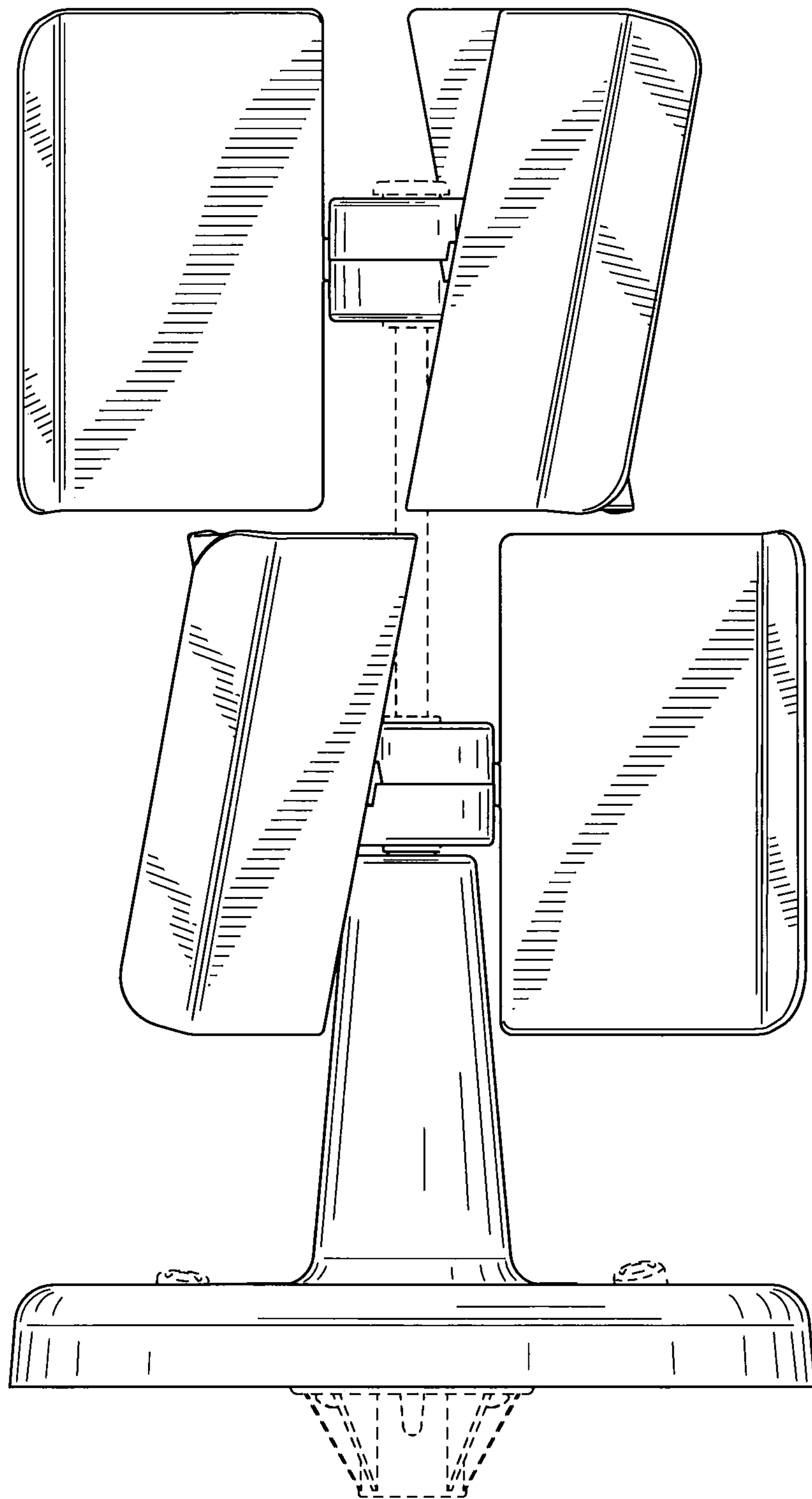


FIG. 4

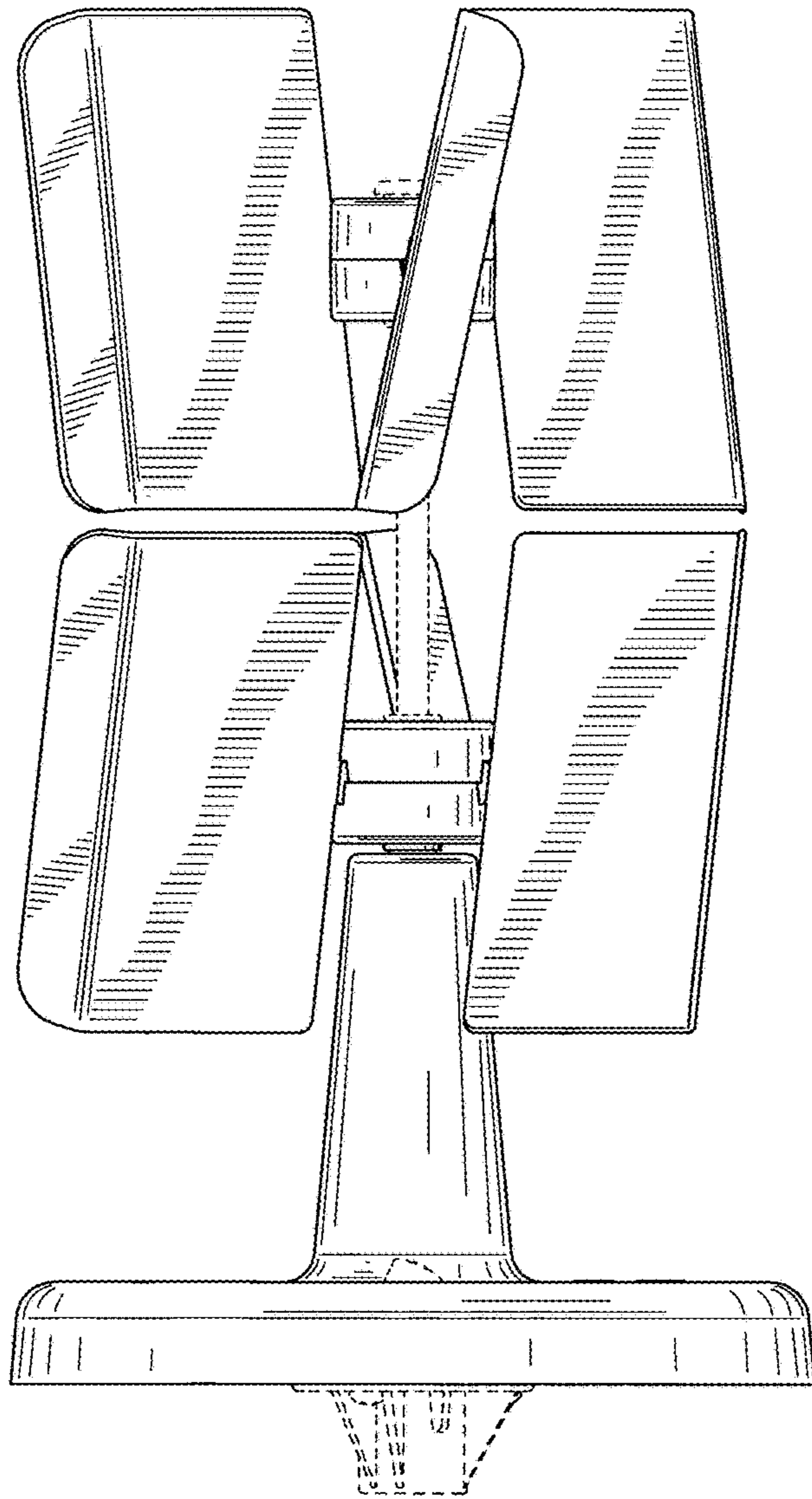


FIG. 5

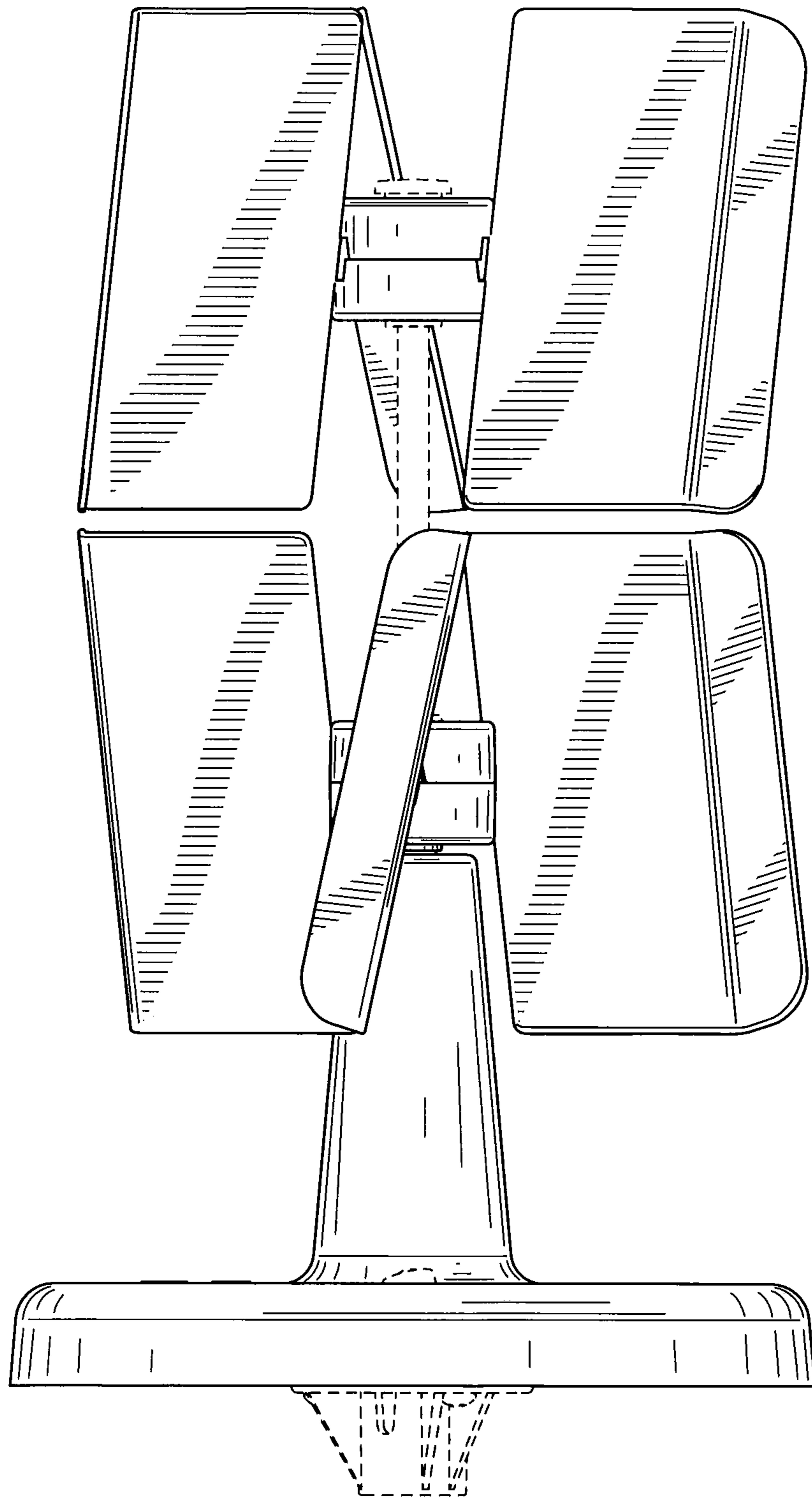


FIG. 6

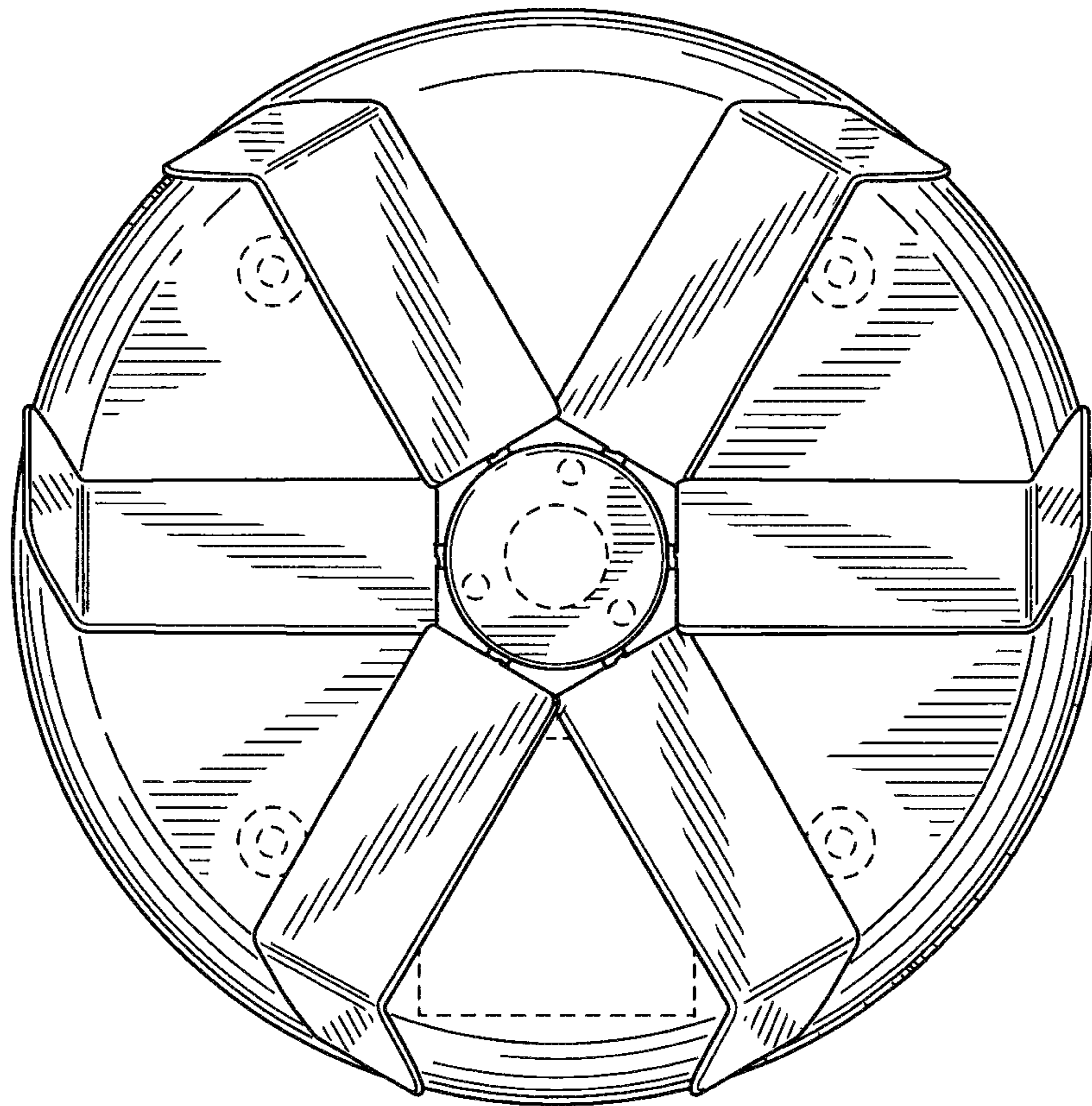


FIG. 7

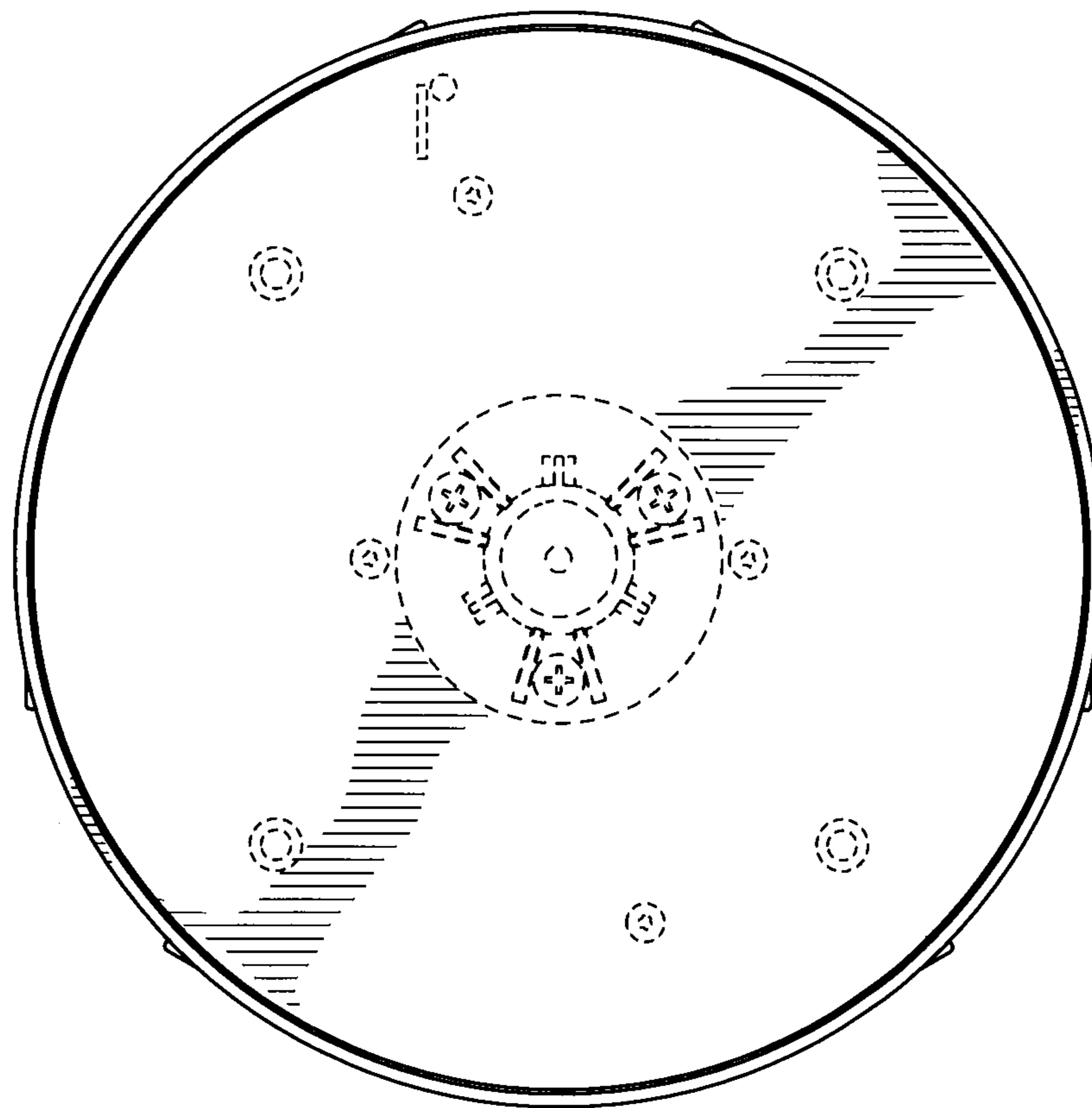


FIG. 8