



US00D881321S

(12) **United States Design Patent**
Xu

(10) **Patent No.:** **US D881,321 S**

(45) **Date of Patent:** **** Apr. 14, 2020**

(54) **FIREARM MUZZLE BRAKE**

D807,980 S * 1/2018 Frederickson D22/108

(71) Applicant: **CZAR OPTICS & OUTDOOR GEAR INC**, Brighton, Adams County, CO (US)

* cited by examiner

Primary Examiner — Michael A. Pratt

(72) Inventor: **Baohuan Xu**, Brighton, CO (US)

(74) *Attorney, Agent, or Firm* — Prakash Nama; Global IP Services, PLLC

(**) Term: **15 Years**

(21) Appl. No.: **29/665,363**

(57) **CLAIM**

(22) Filed: **Oct. 2, 2018**

The ornamental design for a firearm muzzle brake, as shown.

(51) **LOC (12) Cl.** **22-01**

(52) **U.S. Cl.**
USPC **D22/109**

(58) **Field of Classification Search**
USPC D22/108
CPC F41A 21/34; F41A 21/325; F41A 21/32;
F41A 21/28
See application file for complete search history.

DESCRIPTION

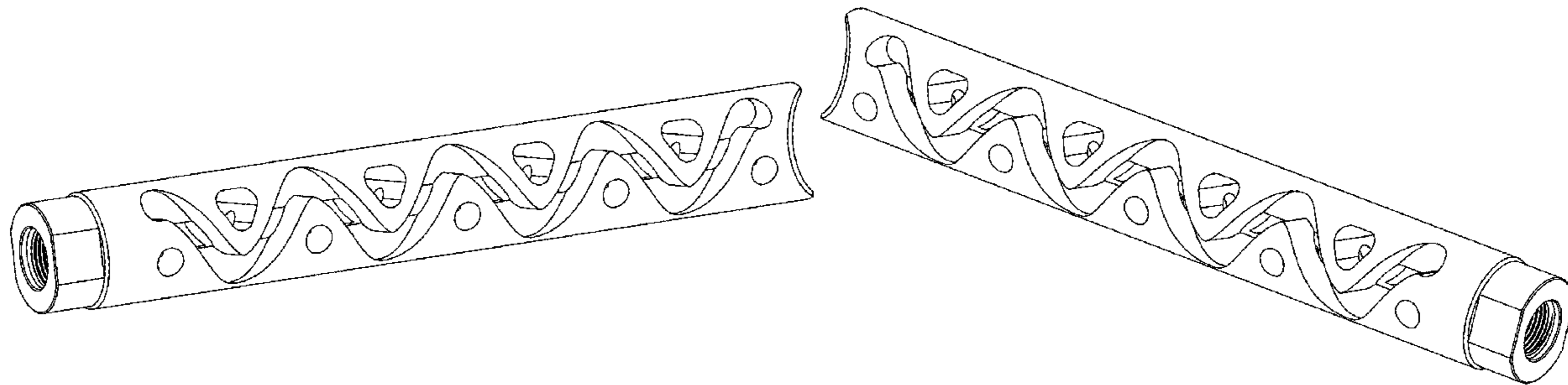
FIG. 1 is a front elevational view of a firearm muzzle brake showing my new design;
FIG. 2 is a rear elevational view thereof;
FIG. 3 is a left side view thereof;
FIG. 4 is a right side view thereof;
FIG. 5 is a top plan view thereof;
FIG. 6 is a bottom plan view thereof;
FIG. 7 is a perspective view thereof; and,
FIG. 8 is another perspective view thereof.

(56) **References Cited**

U.S. PATENT DOCUMENTS

D285,238 S * 8/1986 Cellini 89/14.3
5,279,200 A * 1/1994 Rose F41A 21/32
42/97

1 Claim, 4 Drawing Sheets



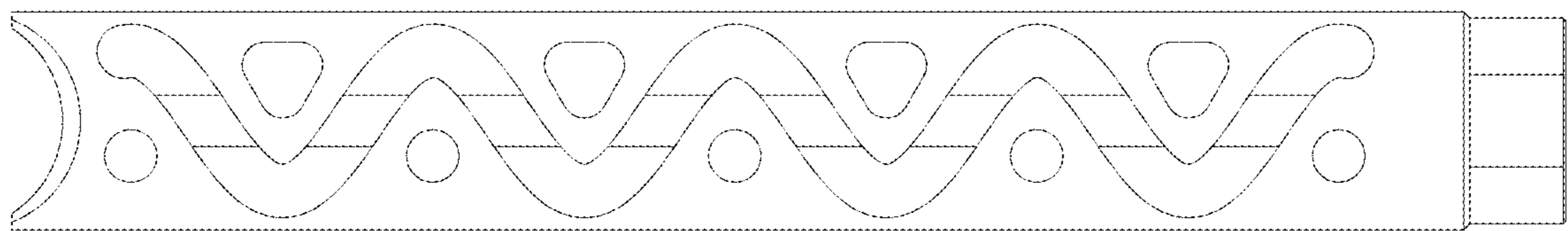


Fig. 1

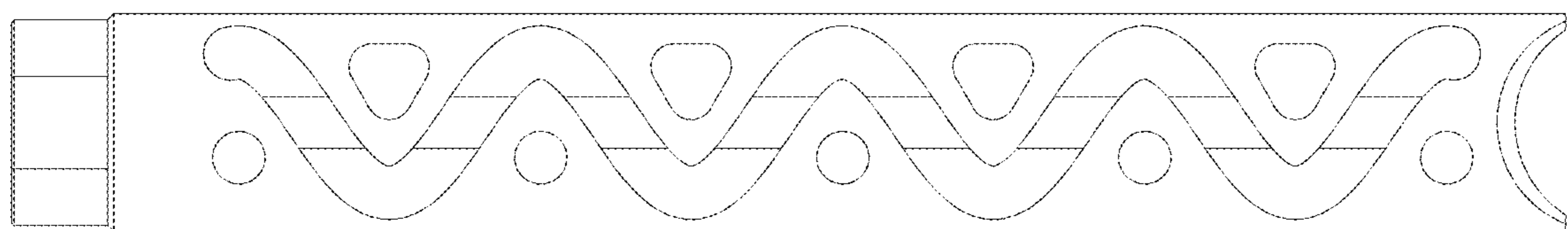


Fig. 2

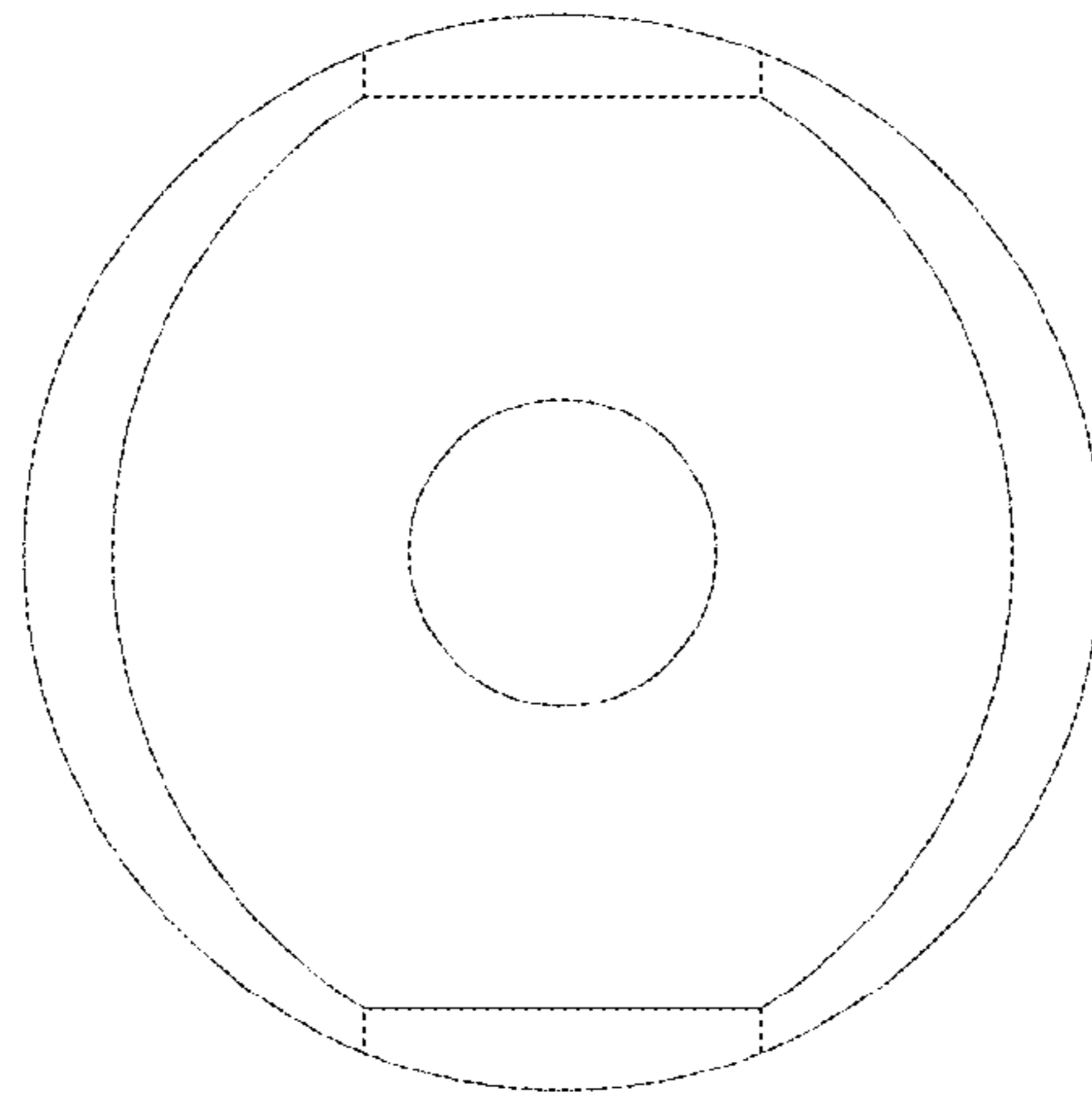


Fig. 3

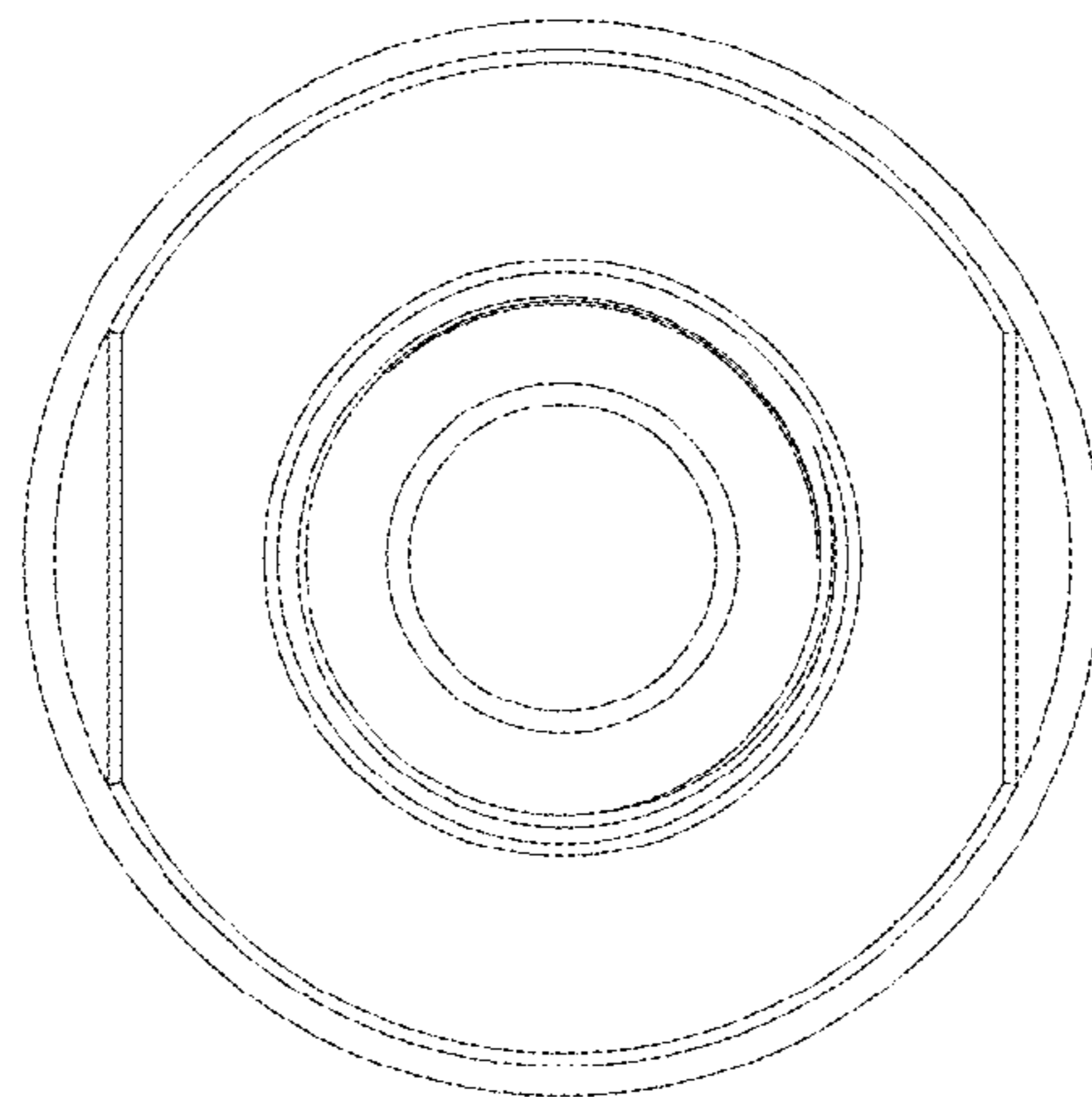


Fig. 4

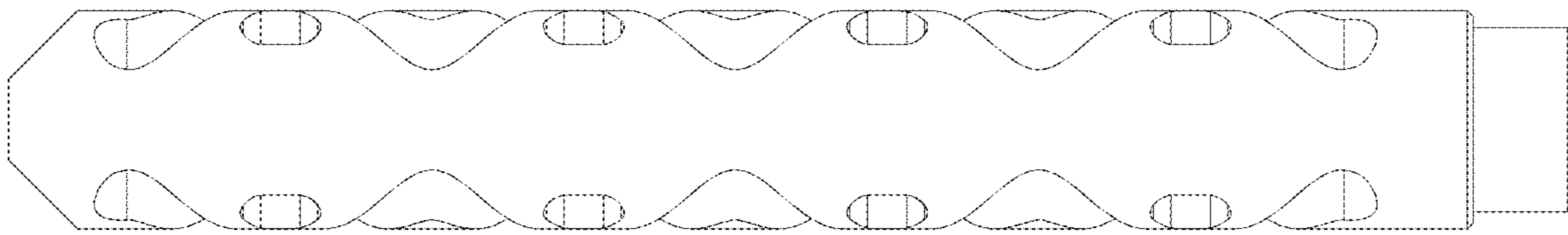


Fig. 5

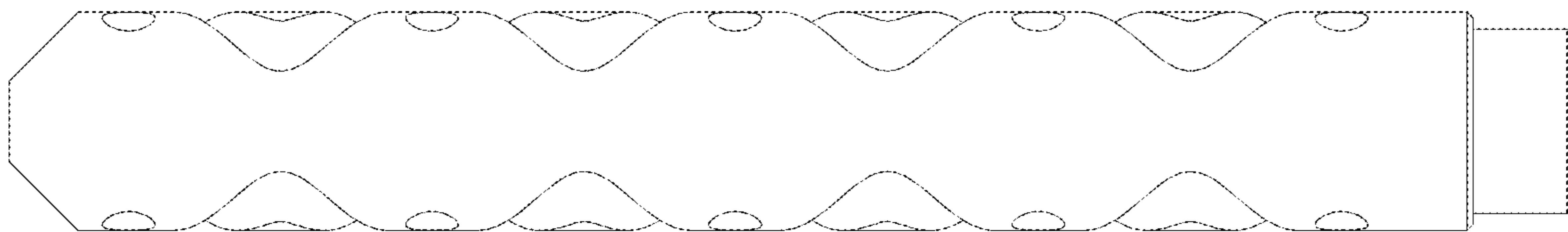


Fig. 6

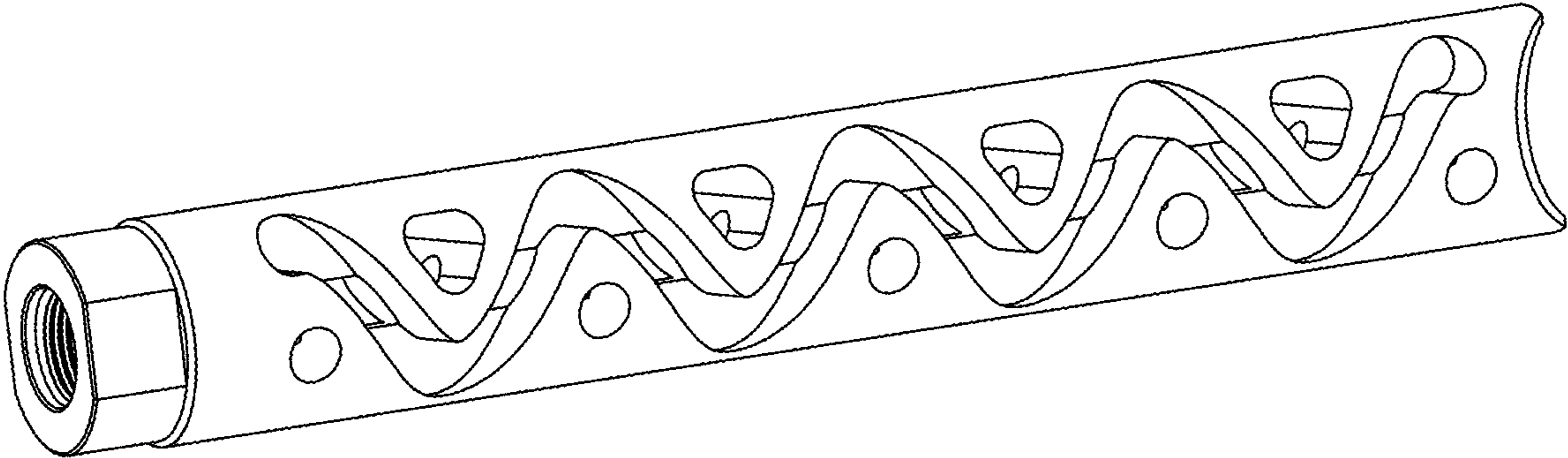


Fig. 7

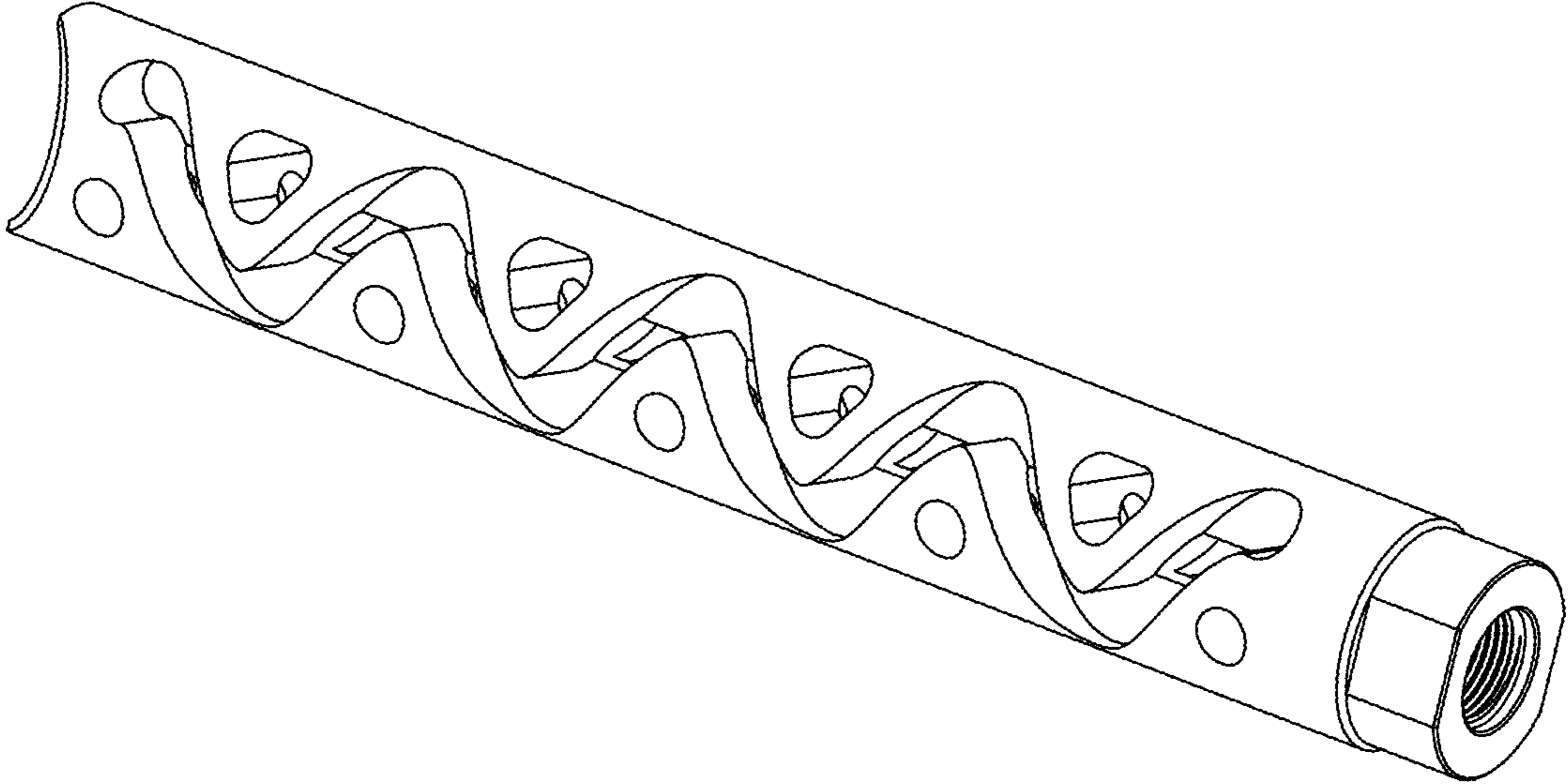


Fig. 8