



US00D881320S

(12) **United States Design Patent**
Larsson et al.

(10) **Patent No.:** **US D881,320 S**
(45) **Date of Patent:** **** Apr. 14, 2020**

(54) **SIGHT**

(71) Applicant: **Aimpoint AB**, Malmö (SE)

(72) Inventors: **Niklas Larsson**, Åkarp (SE); **John Örtengren**, Lund (SE)

(73) Assignee: **AIMPOINT AB**, Malmö (SE)

(**) Term: **15 Years**

(21) Appl. No.: **29/662,163**

(22) Filed: **Sep. 4, 2018**

(30) **Foreign Application Priority Data**

Mar. 6, 2018 (EM) 004741791-0002

(51) **LOC (12) Cl.** **22-01**

(52) **U.S. Cl.**
USPC **D22/109**

(58) **Field of Classification Search**
USPC D22/109
CPC . F41G 11/003; F41G 1/00; F41G 1/16; F41G
1/345
See application file for complete search history.

(56) **References Cited**

U.S. PATENT DOCUMENTS

D612,756 S * 3/2010 D'Amelio D10/70
D742,991 S * 11/2015 Klecker D22/109

D747,431 S * 1/2016 Cheng D22/109
D784,480 S * 4/2017 Oz D22/109
D837,927 S * 1/2019 Trulsson D22/109
2016/0102943 A1 * 4/2016 Teetzel F41G 1/35
42/113

* cited by examiner

Primary Examiner — Michael A. Pratt

(74) *Attorney, Agent, or Firm* — Thomas|Horstemeyer,
LLP

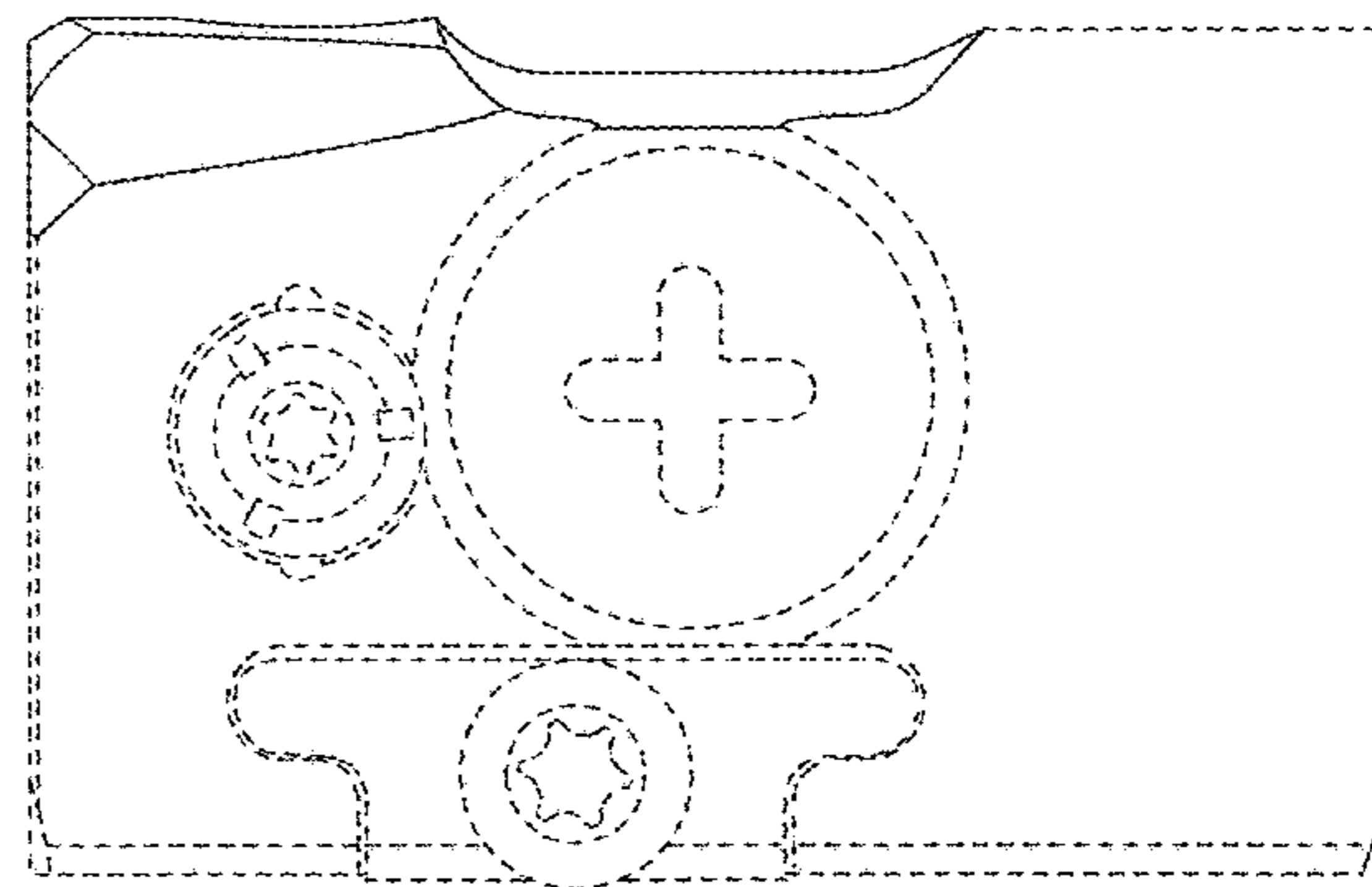
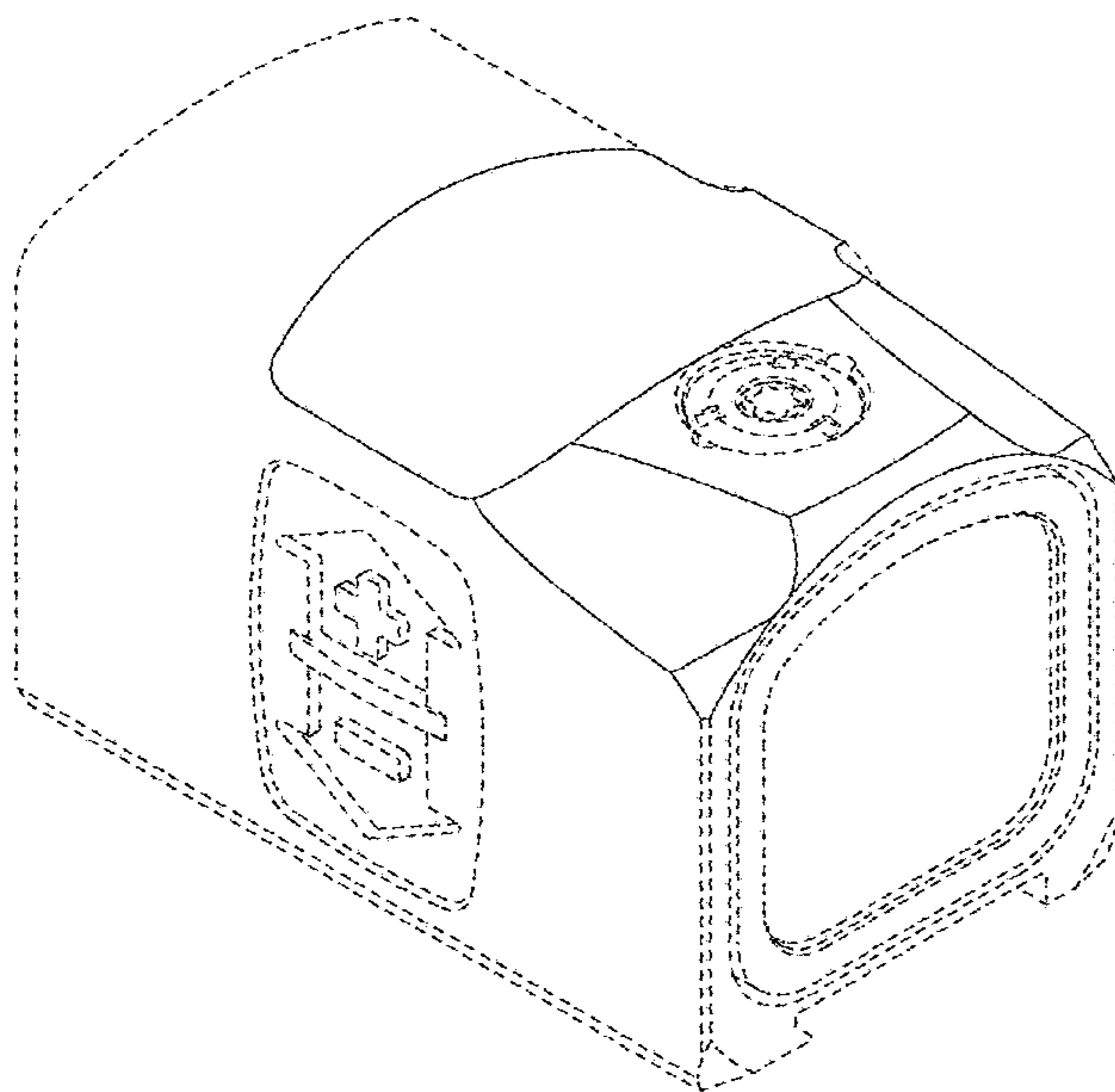
(57) **CLAIM**

The ornamental design for a sight, as shown and described.

DESCRIPTION

FIG. 1 is a perspective view of a sight showing my new design;
FIG. 2 is an end view thereof;
FIG. 3 is an end view thereof, from an end opposite that of FIG. 2;
FIG. 4 is a side view thereof;
FIG. 5 is a side view thereof, from a side opposite that of FIG. 4; and,
FIG. 6 is a top plan view thereof.

1 Claim, 6 Drawing Sheets



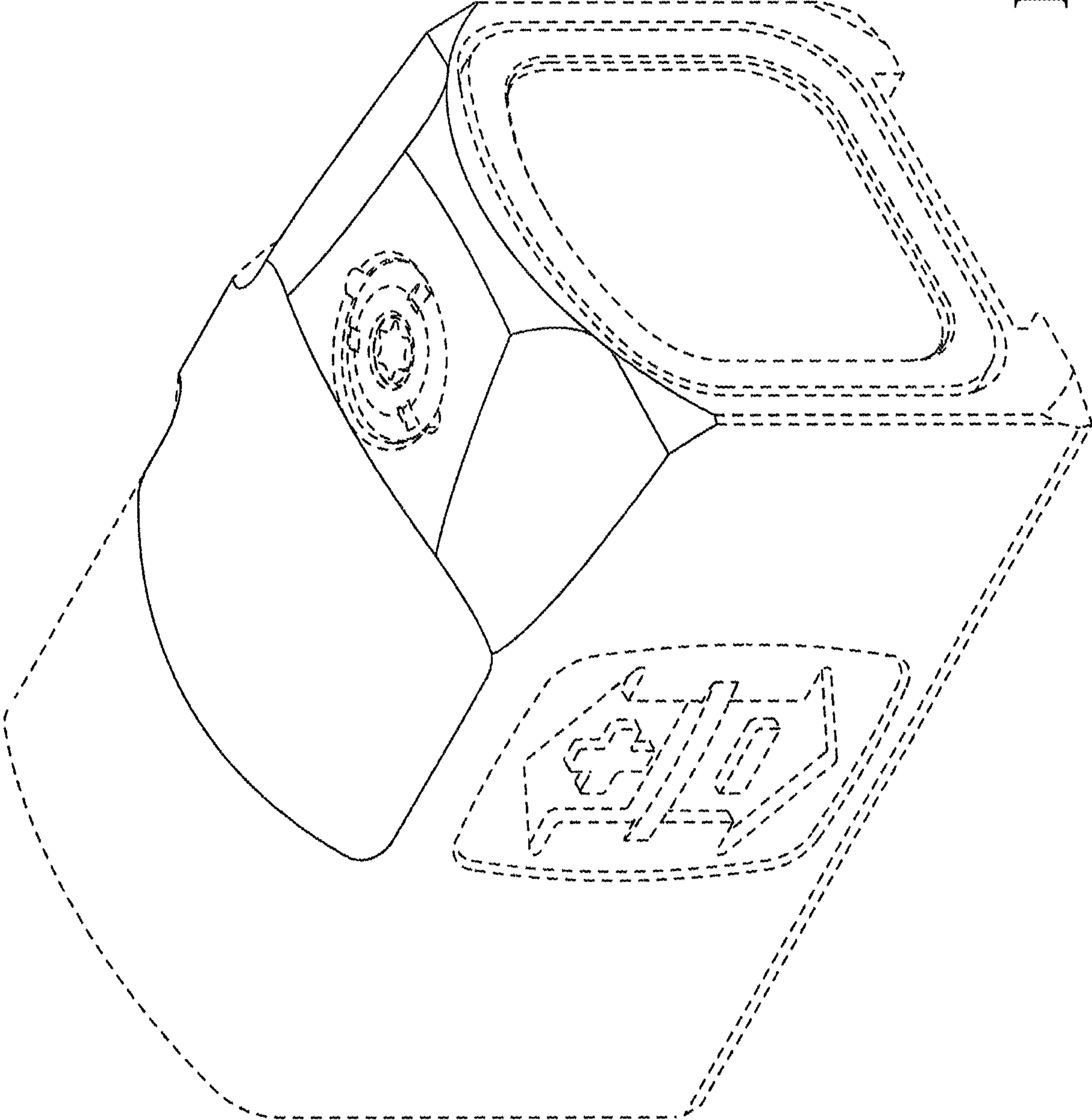


FIG. 1

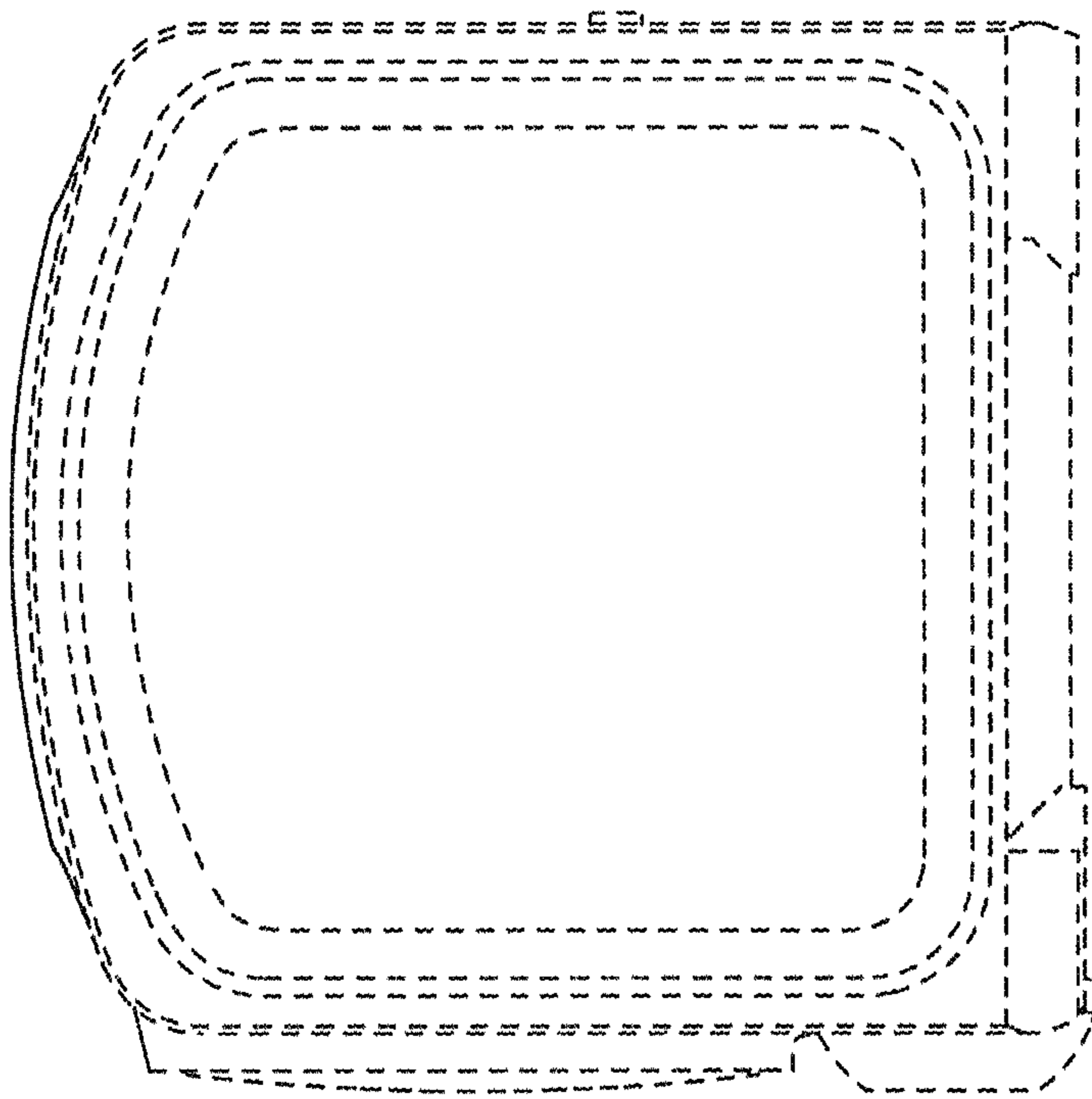


FIG. 2

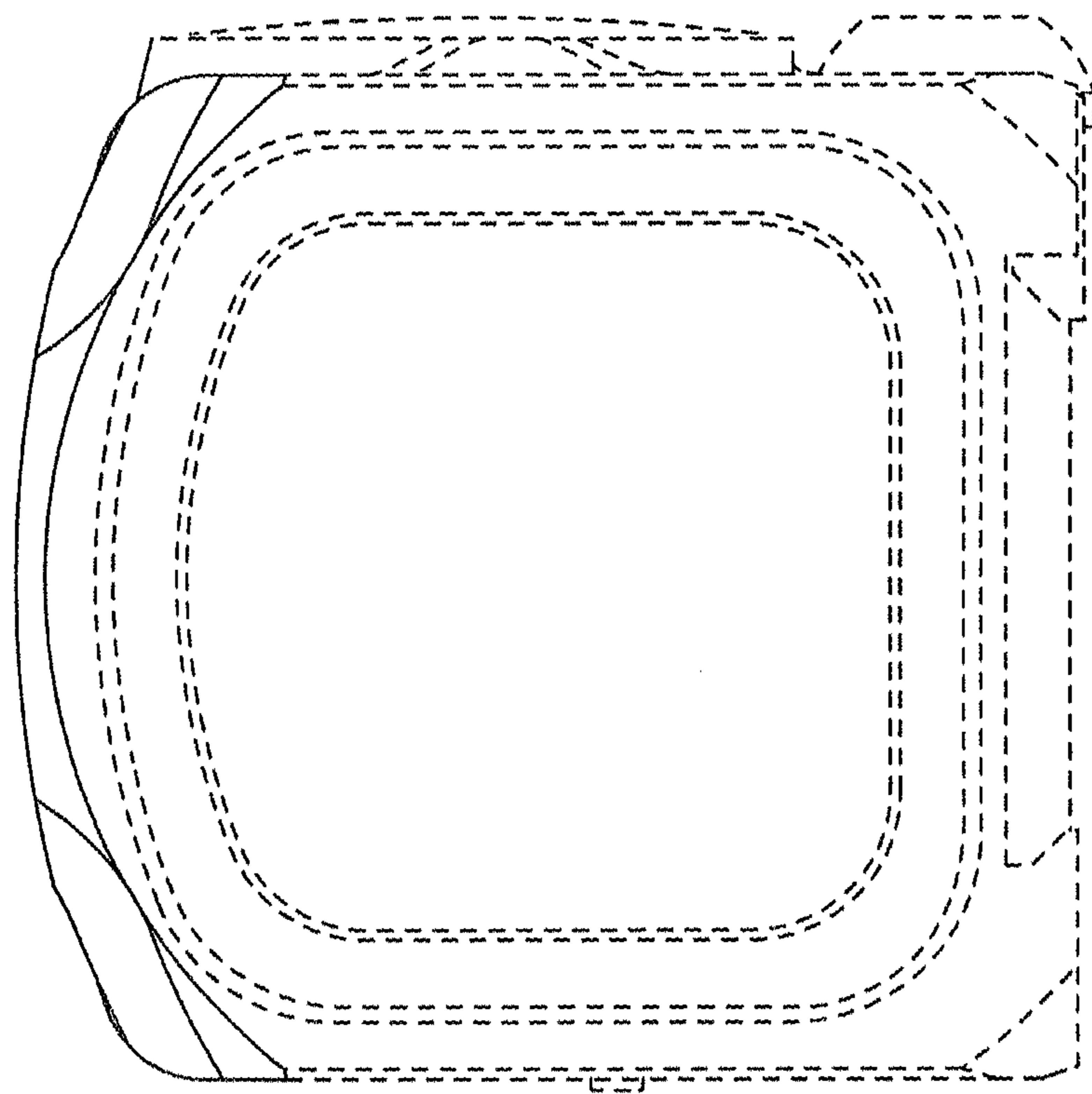


FIG. 3

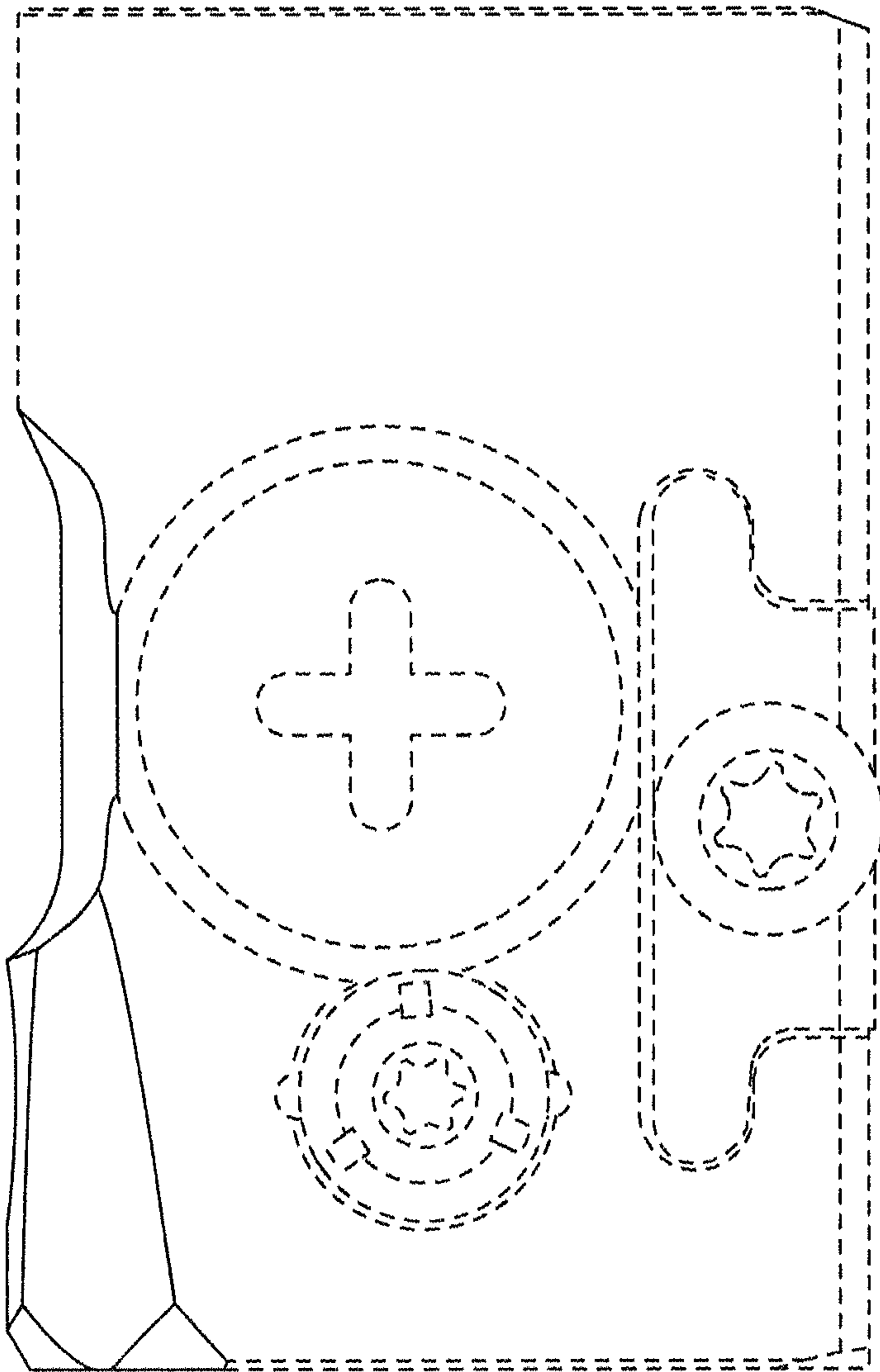


FIG. 4

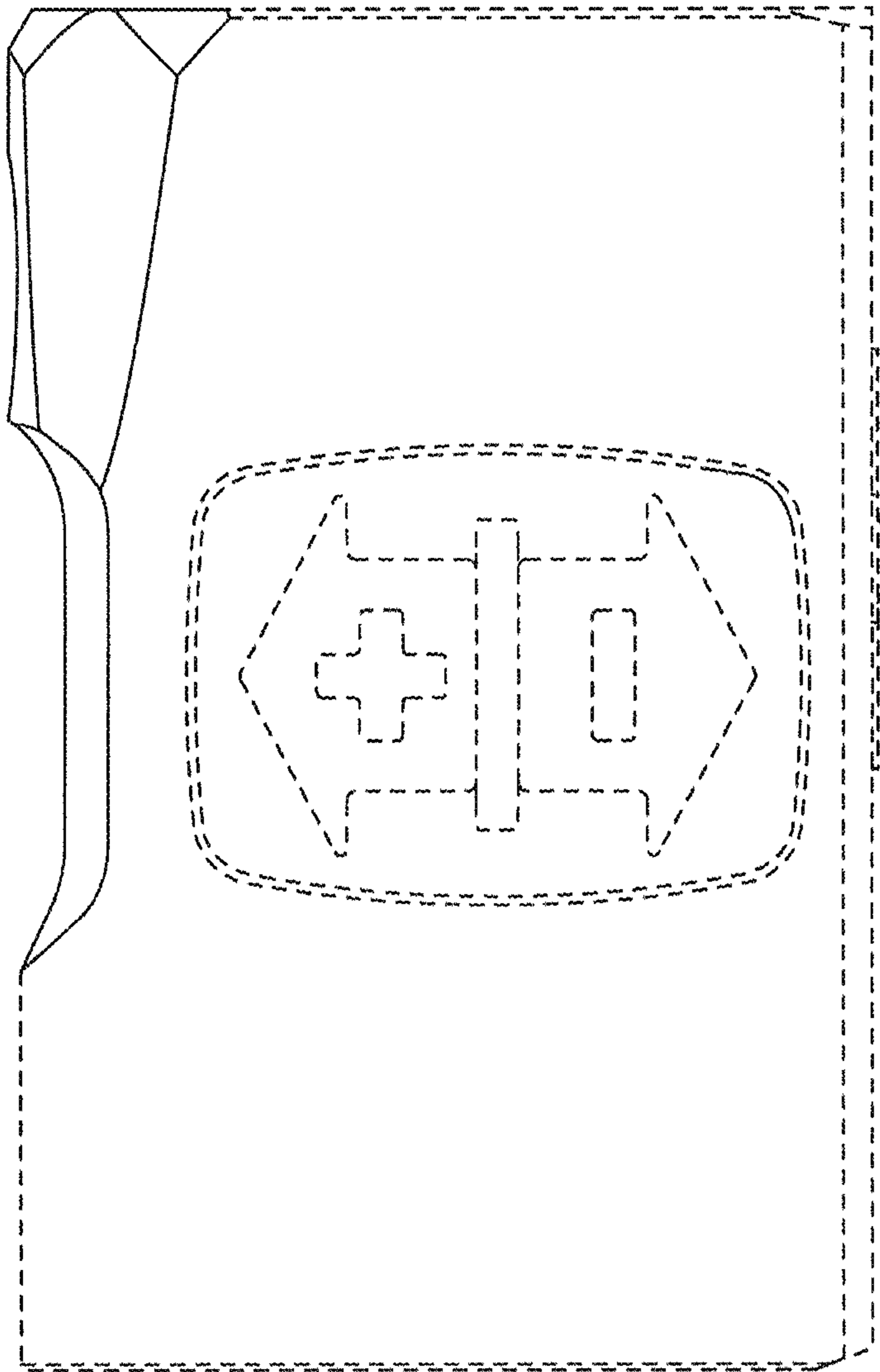


FIG. 5

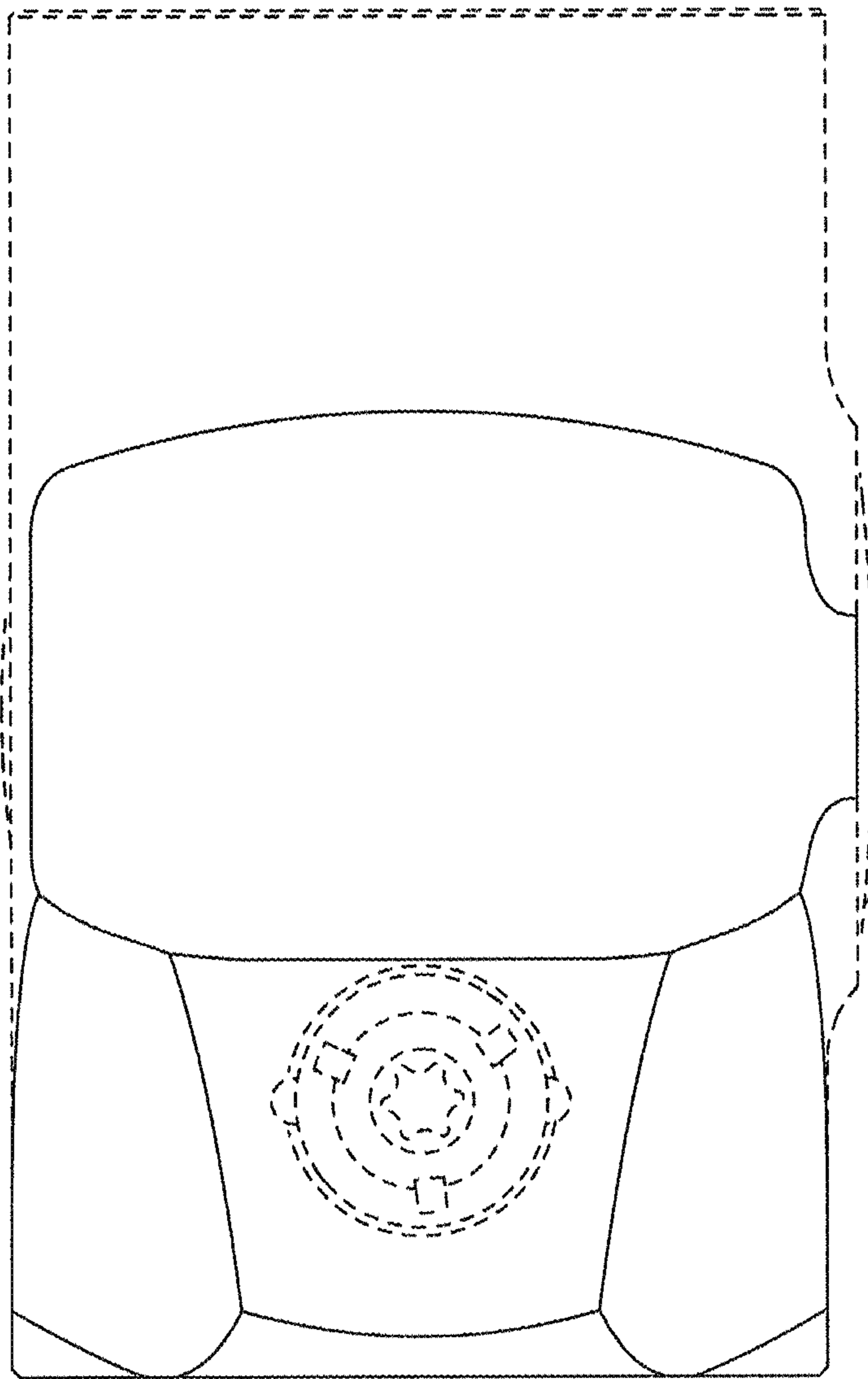


FIG. 6