



US00D881318S

(12) **United States Design Patent**
Aral

(10) **Patent No.:** **US D881,318 S**

(45) **Date of Patent:** **** Apr. 14, 2020**

(54) **GUN TRIGGER**

(71) Applicant: **SAMSUN YURT SAVUNMA SANAYI VE TICARET A.Ş.**, Samsun (TR)

(72) Inventor: **Utku Aral**, Samsun (TR)

(73) Assignee: **SAMSUN YURT SAVUNMA SANAYI VE TICARET A.Ş.**, Samsun (TR)

(**) Term: **15 Years**

(21) Appl. No.: **29/679,802**

(22) Filed: **Feb. 11, 2019**

(30) **Foreign Application Priority Data**

Sep. 25, 2018 (TR) 2018/05591

(51) **LOC (12) Cl.** **22-01**

(52) **U.S. Cl.**
USPC **D22/108**

(58) **Field of Classification Search**
USPC D22/100, 103, 108, 109, 113, 115, 116, D22/199; D21/302, 567, 573
CPC F41C 7/00; F41C 23/16; F41G 1/02; F41G 1/027; F41G 1/14; F41J 1/10; F42B 6/10; F42B 7/00; F42B 7/02; F41A 17/38
See application file for complete search history.

(56) **References Cited**

U.S. PATENT DOCUMENTS

D371,591 S * 7/1996 Lenkarski D22/100
D504,168 S * 4/2005 McCormick D22/108
7,331,136 B2 * 2/2008 Geissele F41A 19/16
42/69.03
D585,954 S * 2/2009 Bubits D22/108
D593,617 S * 6/2009 Dochterman D21/573
D597,625 S * 8/2009 Pflaumer D22/104
D624,609 S * 9/2010 Stein D21/573
8,033,043 B2 * 10/2011 McGarry F41A 11/00
42/70.01
D659,790 S * 5/2012 Geissele D22/108

D690,374 S * 9/2013 Lee D21/574
D705,651 S * 5/2014 Neumann B05B 11/3057
D9/448
D740,907 S * 10/2015 Oglesby D22/108
9,267,751 B2 * 2/2016 Ruiz F41A 19/12
(Continued)

OTHER PUBLICATIONS

“POTD: Canik TP9 Elite Combat” [online]. thefirearmblog.com. [Published Apr. 15, 2019]. Retrieved from the Internet: <<https://www.thefirearmblog.com/blog/2019/04/15/potd-canik-tp9-elite-combat/>>.*

(Continued)

Primary Examiner — Khawaja Anwar
Assistant Examiner — Mojtaba Tehrani
(74) *Attorney, Agent, or Firm* — Bayramoglu Law Offices LLC

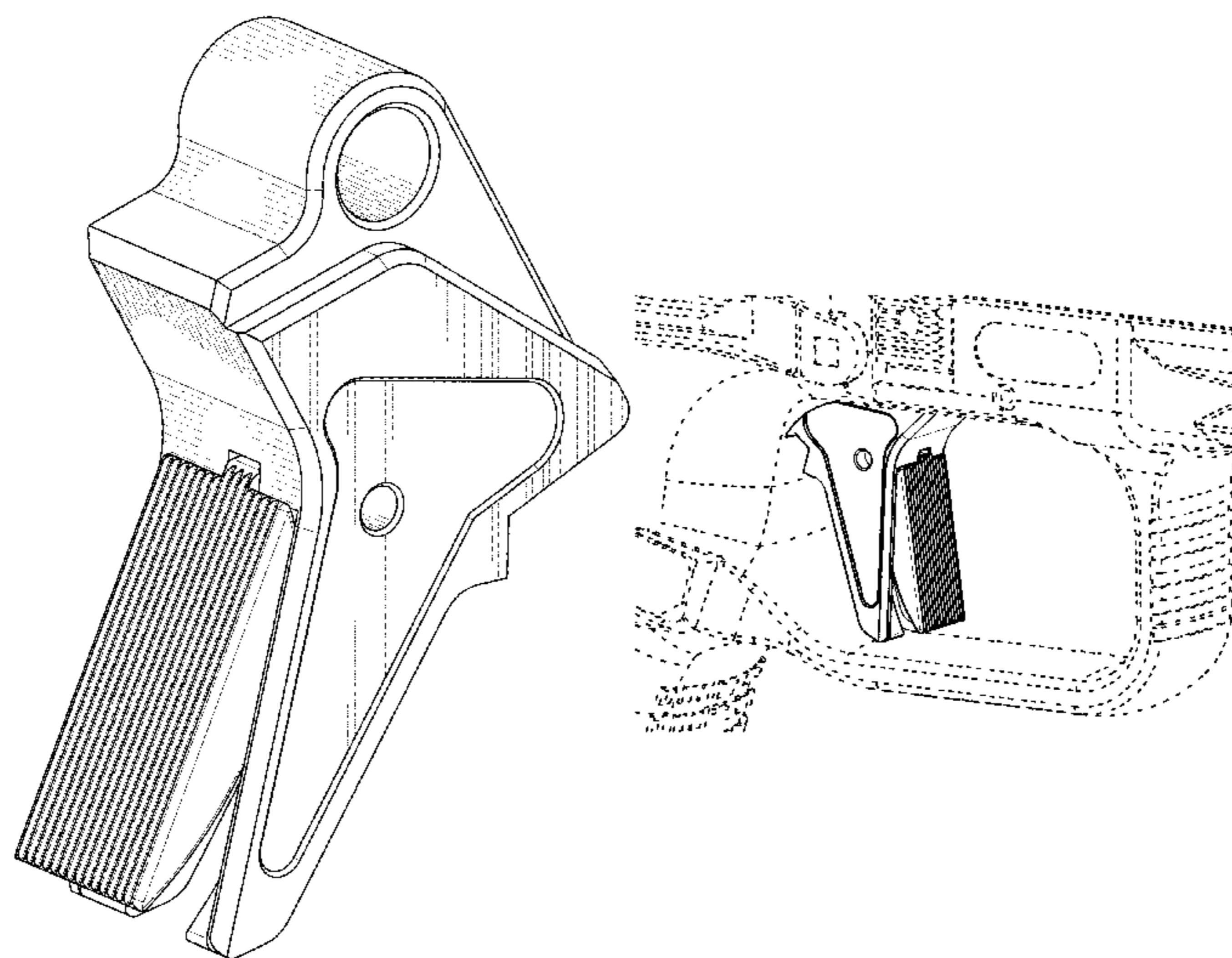
(57) **CLAIM**

The ornamental design for a gun trigger, as shown and described.

DESCRIPTION

FIG. 1 is a front perspective view of a gun trigger showing the new design;
FIG. 2 is a rear perspective view thereof;
FIG. 3 is a front view thereof;
FIG. 4 is a rear view thereof;
FIG. 5 is a left side view thereof;
FIG. 6 is a right side view thereof;
FIG. 7 is a top view thereof;
FIG. 8 is a bottom view thereof; and,
FIG. 9 is a status view in use thereof.
The broken lines showing of the pistol are for the purpose of illustrating the environmental structure and form no part of the claimed design.

1 Claim, 9 Drawing Sheets



(56)

References Cited

U.S. PATENT DOCUMENTS

D750,725 S * 3/2016 Capps D22/108
D755,339 S * 5/2016 Geissele D22/108
D764,004 S * 8/2016 Bender D22/108
D771,767 S * 11/2016 Niswander D22/108
D777,285 S * 1/2017 Bender D22/108
9,638,485 B2 * 5/2017 Geissele F41A 19/10
D832,388 S * 10/2018 McNally D22/108
D833,561 S * 11/2018 Pavlick D22/108
D835,743 S * 12/2018 Bender D22/108
2009/0266348 A1 * 10/2009 Yeh F41A 19/10
124/31
2014/0366418 A1 * 12/2014 Stakes F41A 19/10
42/69.03
2015/0233662 A1 * 8/2015 Ruiz F41A 19/10
42/69.03
2018/0238651 A1 8/2018 Kilic

OTHER PUBLICATIONS

“Tech-tip: How to install the Ace 1 Arms SAI trigger in a TM/WE Glock” [online]. Non Existent. [Published Jul. 11, 2016]. Retrieved from the Internet: <<https://www.youtube.com/watch?v=SIBoiOA8e0A>>.*

* cited by examiner

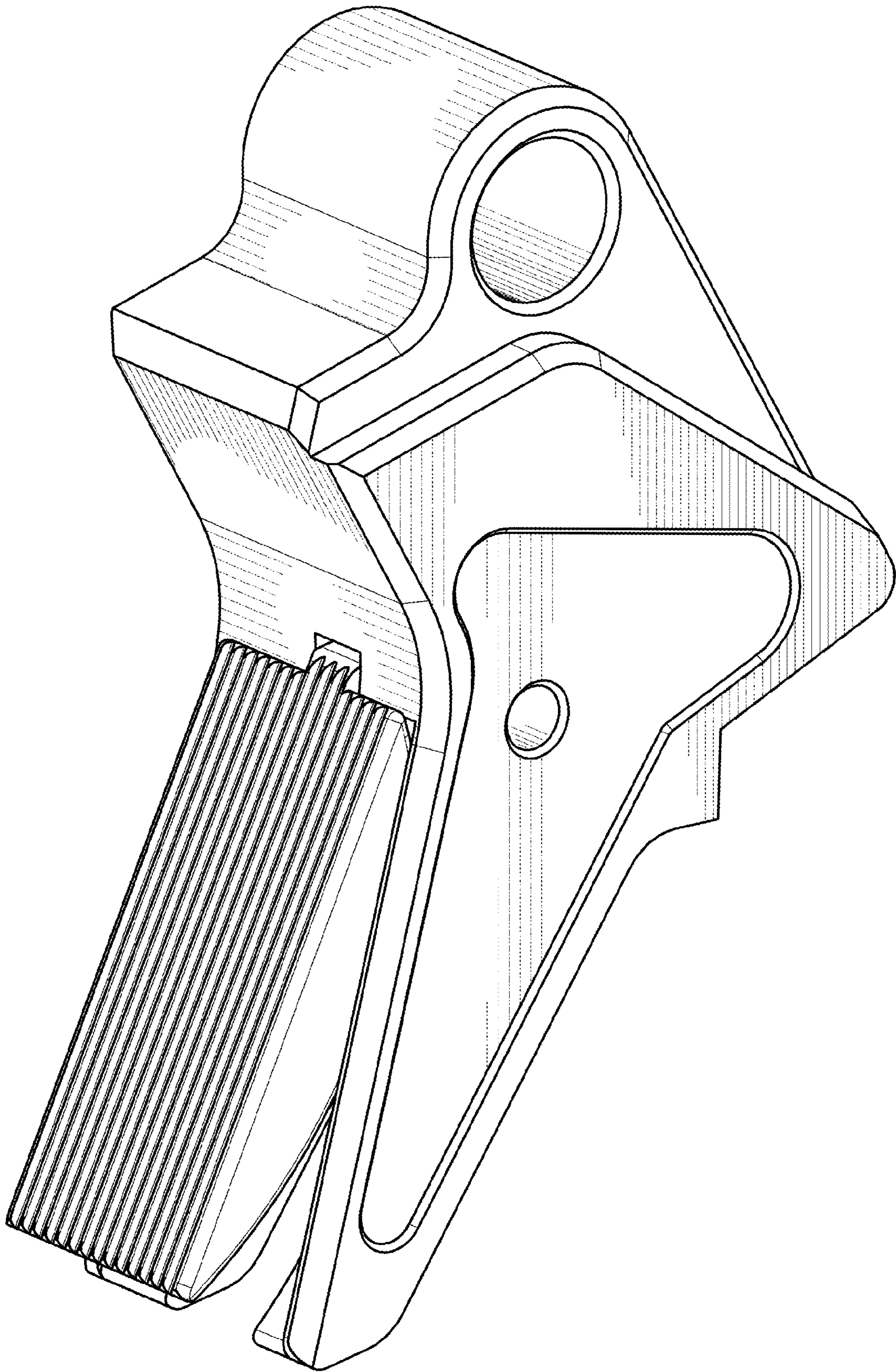


Fig. 1

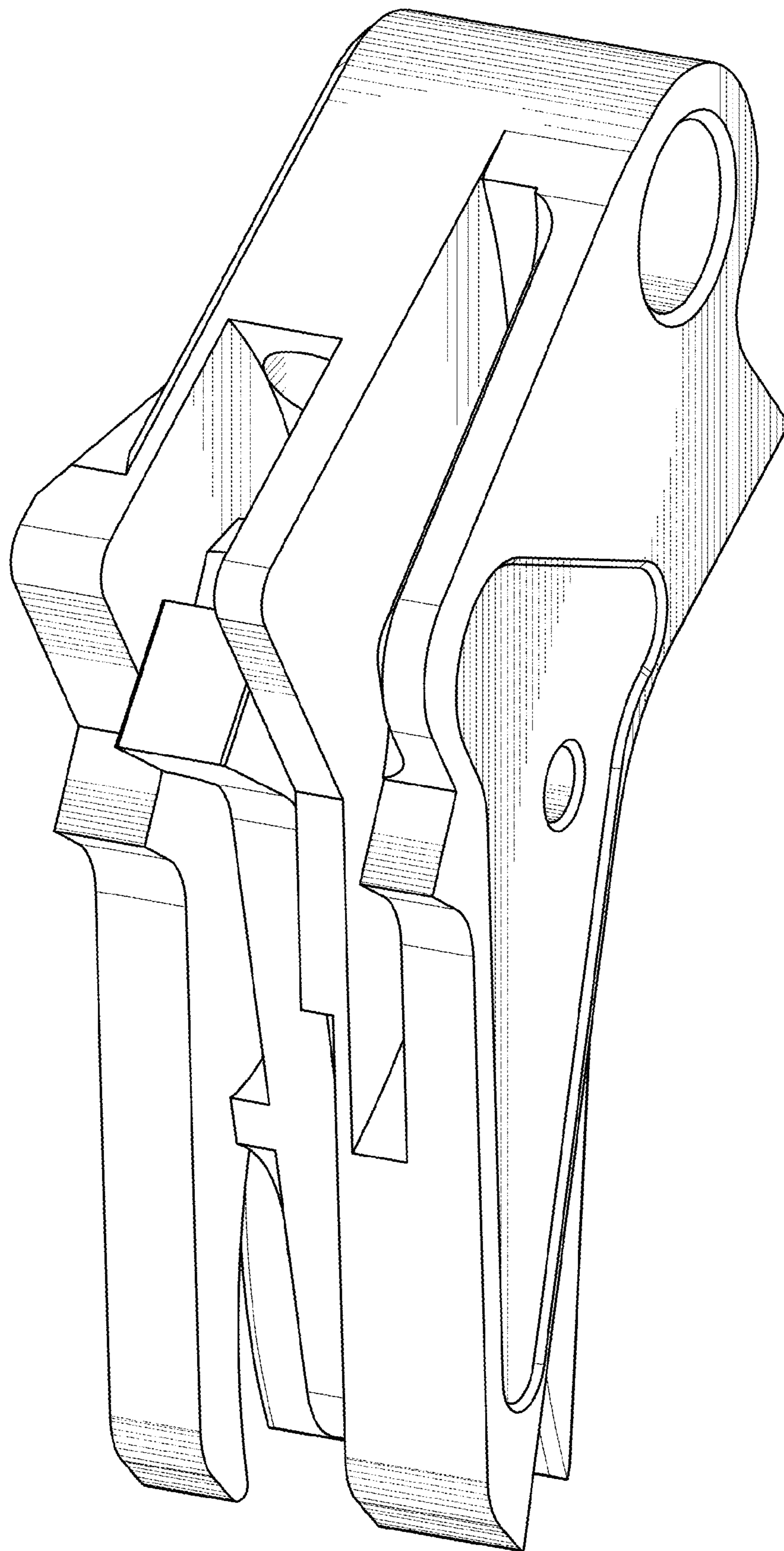


Fig. 2

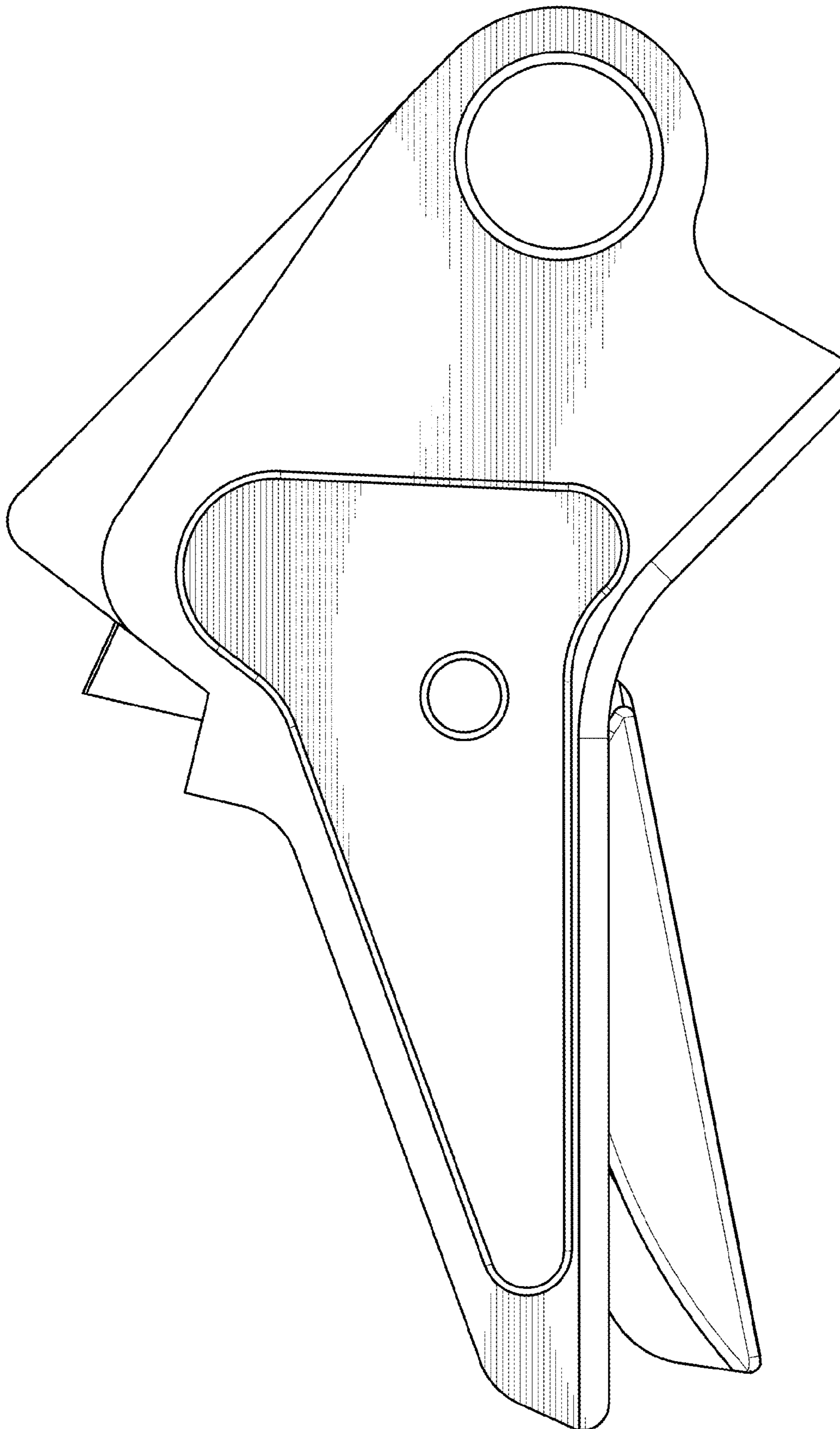


Fig. 3

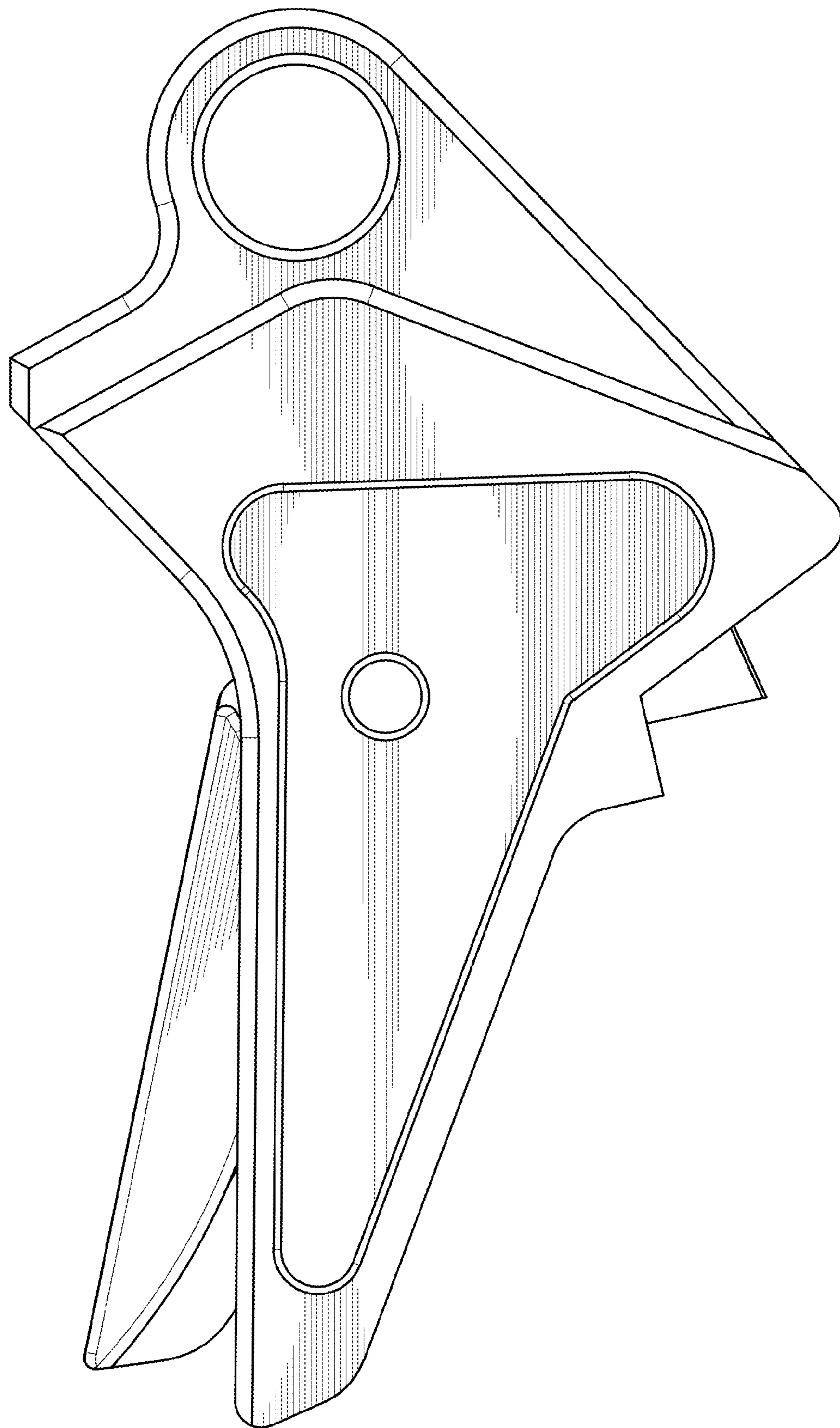


Fig. 4

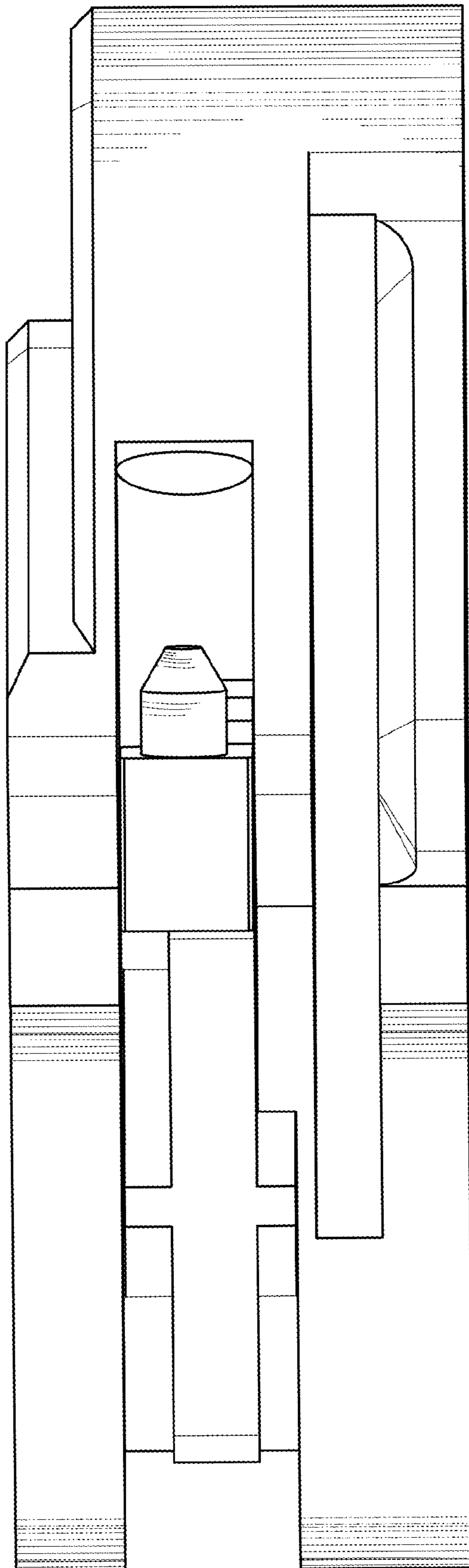


Fig. 5

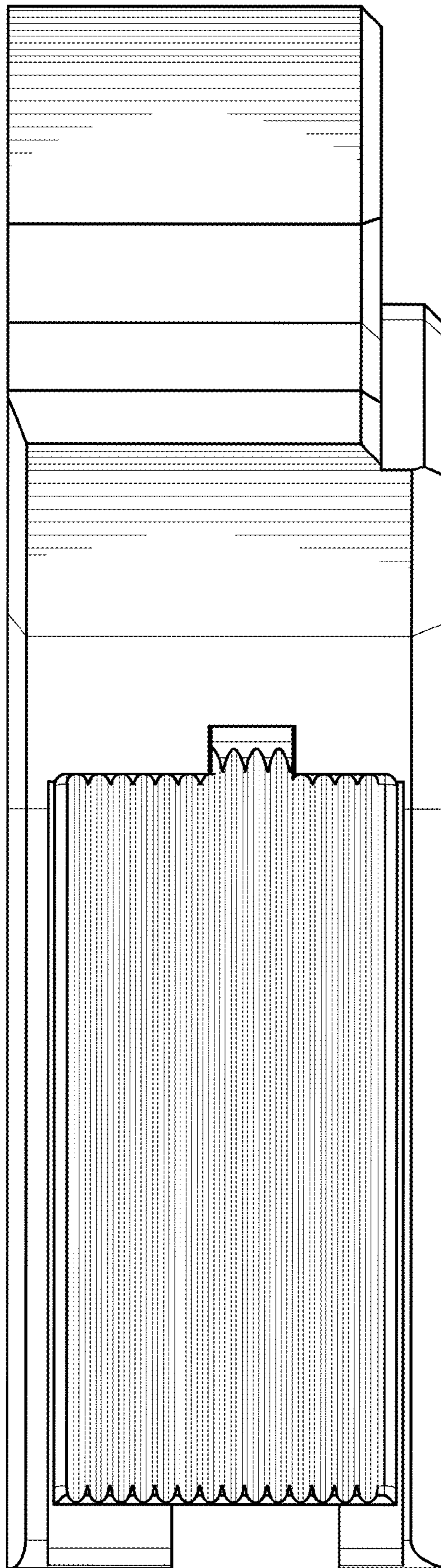


Fig. 6

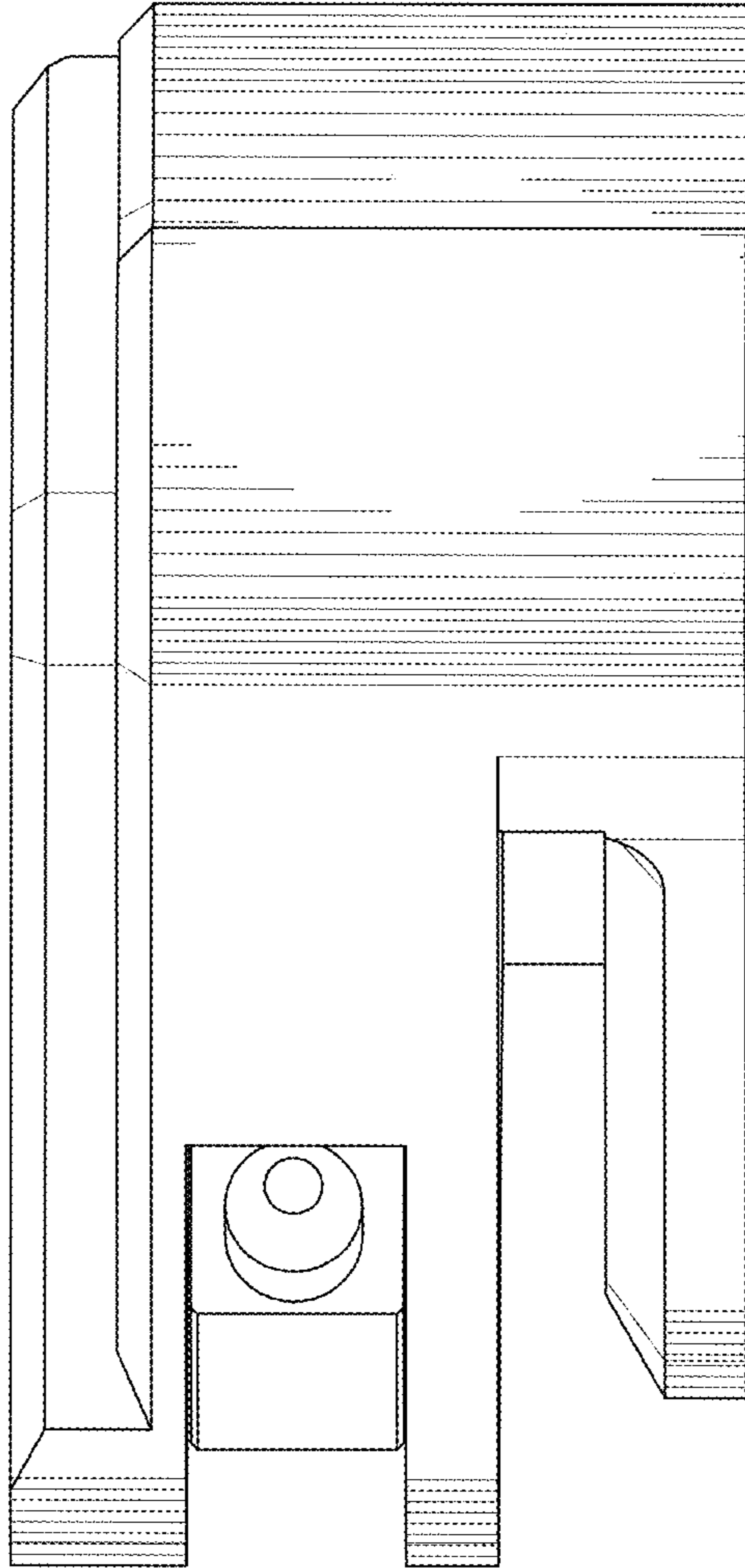


Fig. 7

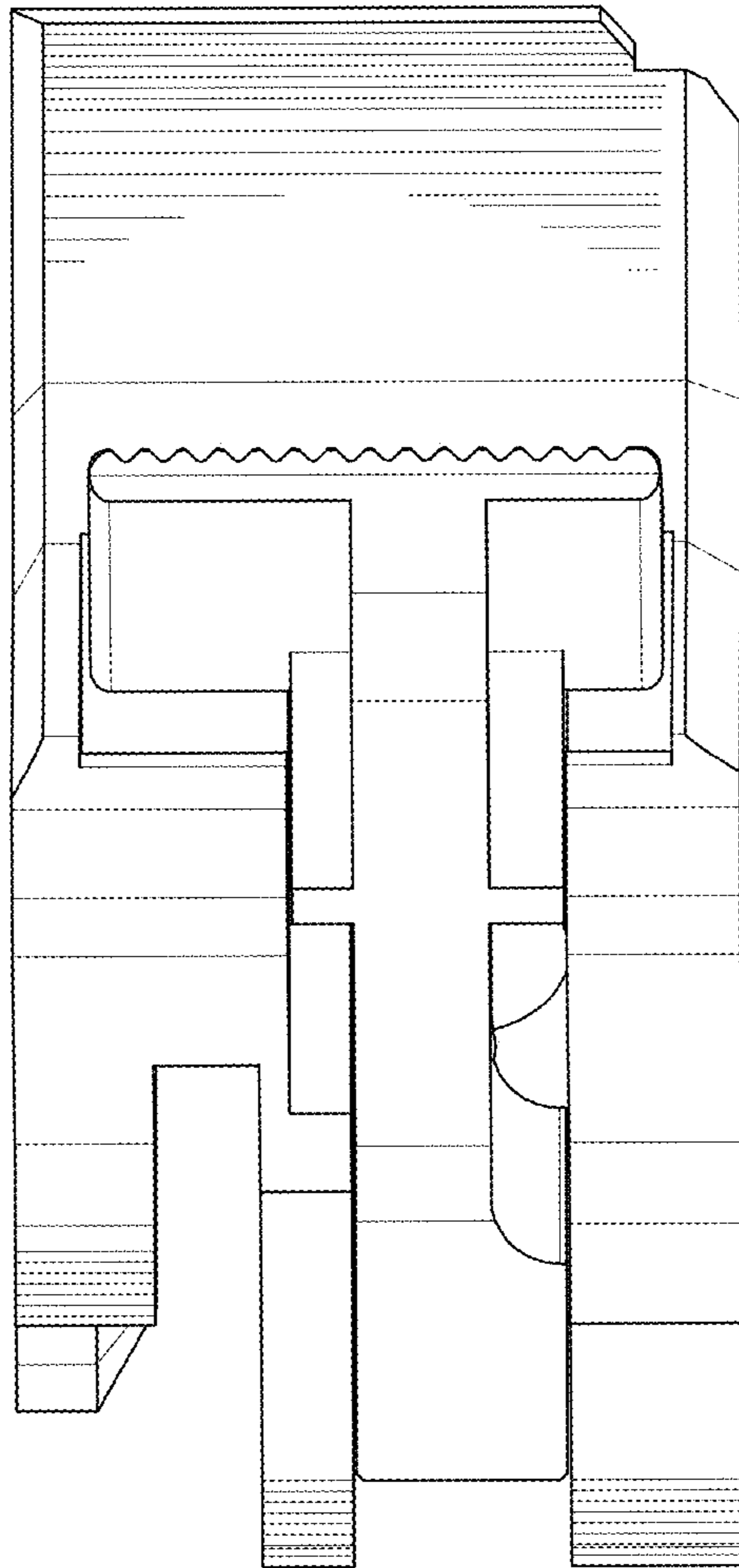


Fig. 8

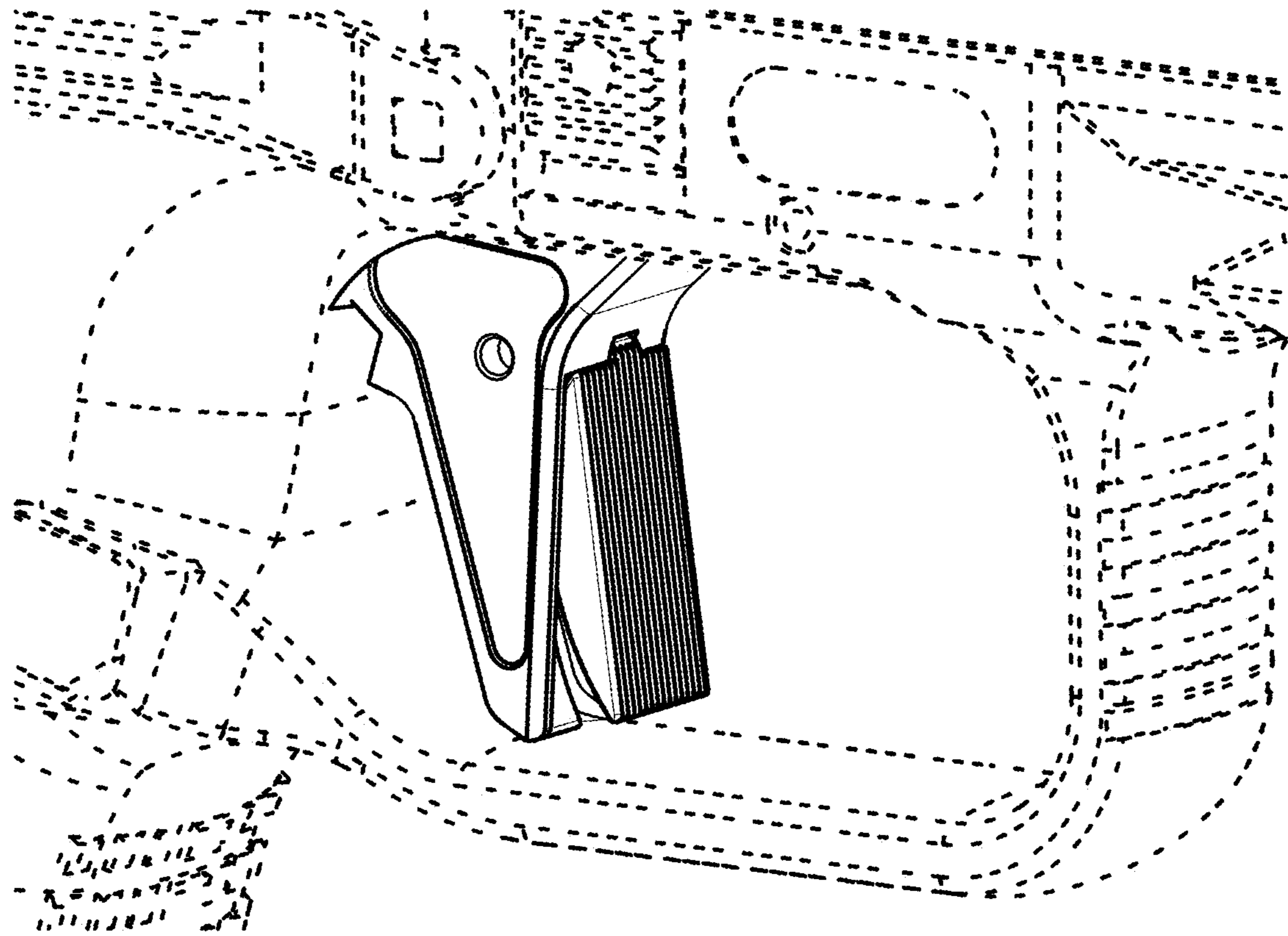


Fig. 9