



US00D881317S

(12) **United States Design Patent**
Evans et al.

(10) **Patent No.:** **US D881,317 S**
(45) **Date of Patent:** **** Apr. 14, 2020**

(54) **GUN FORWARD GRIP ATTACHMENT**

(71) Applicant: **KordTech Pty Ltd**, Eltham VIC (AU)

(72) Inventors: **Donald Evans**, Eltham (AU); **William Boettcher**, Eltham (AU); **Bruce MacDonald**, Eltham (AU); **Geoffrey Woodman**, Eltham (AU); **Stephen Hill**, Rozelle (AU)

(73) Assignee: **KordTech Pty Ltd**, Eltham VIC (AU)

(**) Term: **15 Years**

(21) Appl. No.: **29/677,529**

(22) Filed: **Jan. 22, 2019**

(30) **Foreign Application Priority Data**

Aug. 2, 2018 (AU) 201814628

(51) **LOC (12) Cl.** **22-01**

(52) **U.S. Cl.**
USPC **D22/108**

(58) **Field of Classification Search**
USPC D22/100, 103, 108, 109, 113, 115, 116,
D22/199; D21/302, 567, 573, 566;
D14/412

CPC F41C 7/00; F41C 23/16; F41G 1/02; F41G
1/027; F41G 1/14; F41J 1/10; F42B 6/10;
F42B 7/00; F42B 7/02; F41A 17/38

See application file for complete search history.

(56) **References Cited**

U.S. PATENT DOCUMENTS

D540,882 S * 4/2007 Crook D14/412
7,665,239 B1 * 2/2010 Moody F41A 23/08
42/72
7,665,241 B2 * 2/2010 Oz F41A 23/08
42/94
D624,601 S * 9/2010 Grossman D14/218
7,823,855 B2 * 11/2010 Faifer F16M 11/041
248/166
D644,707 S * 9/2011 Faifer D22/108

D645,046 S * 9/2011 Hobenshield D14/412
8,607,492 B2 * 12/2013 Hartley F41C 23/16
42/72
D704,298 S * 5/2014 Cheng D22/109
D727,455 S * 4/2015 Ding F16M 11/00
D22/108

(Continued)

OTHER PUBLICATIONS

“Aussie tech firm Kord opens office in Ogden” [online]. Jasen Lee, KSL. [Published Jun. 18, 2019]. Retrieved from the Internet: <<https://www.ksl.com/article/46576011/aussie-tech-firm-kord-opens-office-in-ogden>>.*

Primary Examiner — Khawaja Anwar

Assistant Examiner — Mojtaba Tehrani

(74) *Attorney, Agent, or Firm* — Nadya Reingand; Yan Hankin

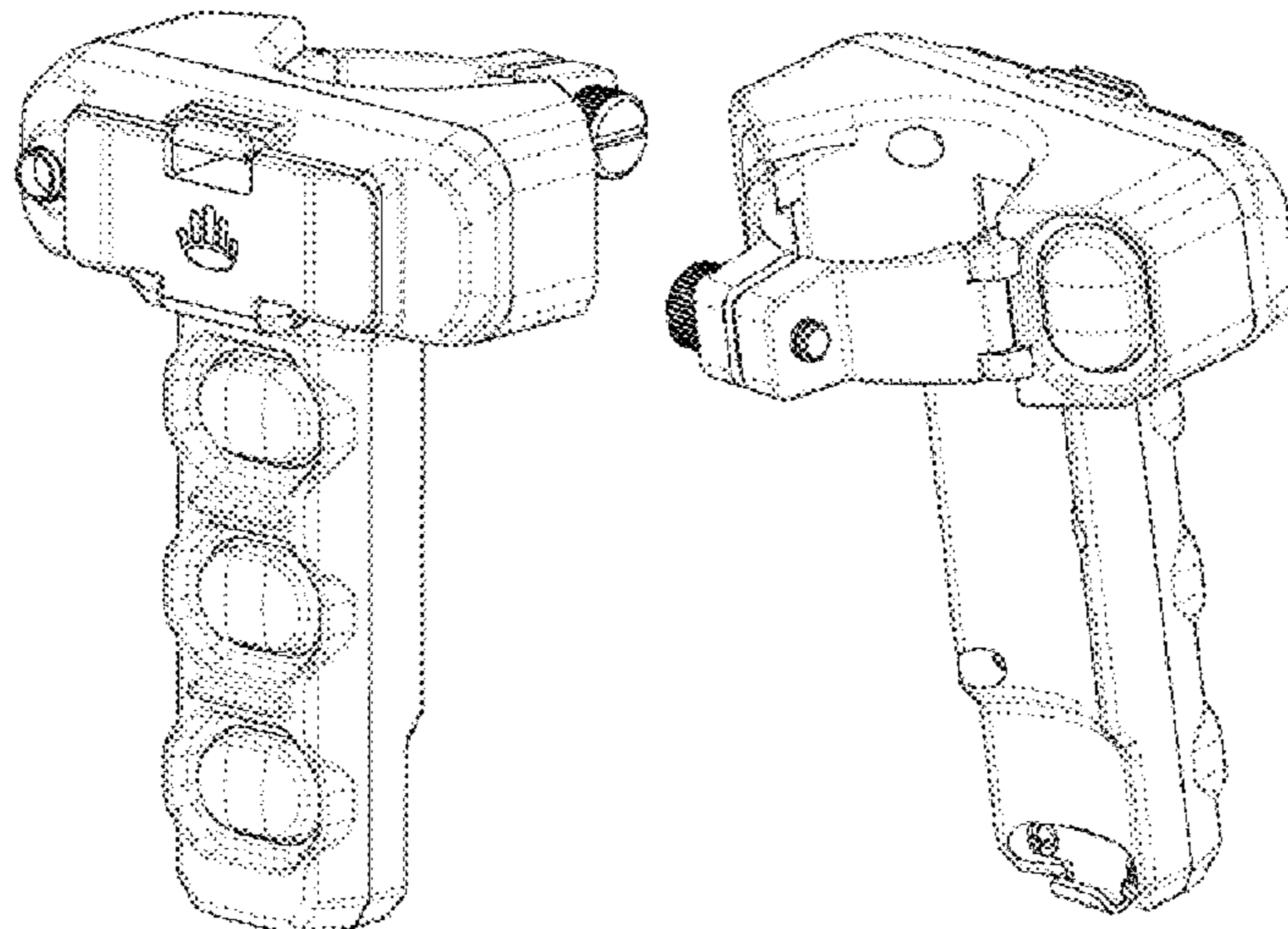
(57) **CLAIM**

The ornamental design for a gun forward grip attachment, as shown and described.

DESCRIPTION

FIG. 1 is a front view of a gun forward grip attachment, showing our new design;
FIG. 2 is a rear view thereof;
FIG. 3 is a right side elevation view thereof;
FIG. 4 is a left side elevation view thereof;
FIG. 5 is a top view thereof;
FIG. 6 is a bottom view thereof;
FIG. 7 is a top front perspective view thereof;
FIG. 8 is a top rear perspective view thereof; and,
FIG. 9 is a top front perspective view thereof, in a configuration with the battery compartment being open.
The broken line in the drawings depicts unclaimed portion of the forward grip attachment only and forms no part of the claimed design.

1 Claim, 9 Drawing Sheets



(56)

References Cited

U.S. PATENT DOCUMENTS

| | | | | |
|--------------|------|---------|----------------|-------------|
| 9,523,551 | B2 * | 12/2016 | Iannello | F41C 23/16 |
| 10,197,358 | B2 * | 2/2019 | Hebden | F41C 23/22 |
| 10,209,030 | B2 * | 2/2019 | Moore | F41C 23/10 |
| D846,057 | S * | 4/2019 | Cheng | D22/108 |
| 2009/0038199 | A1 * | 2/2009 | Oz | F41A 23/10 |
| | | | | 42/94 |
| 2009/0038200 | A1 * | 2/2009 | Keng | F41A 23/10 |
| | | | | 42/94 |
| 2011/0047851 | A1 * | 3/2011 | Mock | F41C 23/16 |
| | | | | 42/72 |
| 2011/0210146 | A1 * | 9/2011 | Dapper | F41H 9/10 |
| | | | | 222/113 |
| 2014/0360079 | A1 * | 12/2014 | Iannello | F41G 11/003 |
| | | | | 42/90 |

* cited by examiner

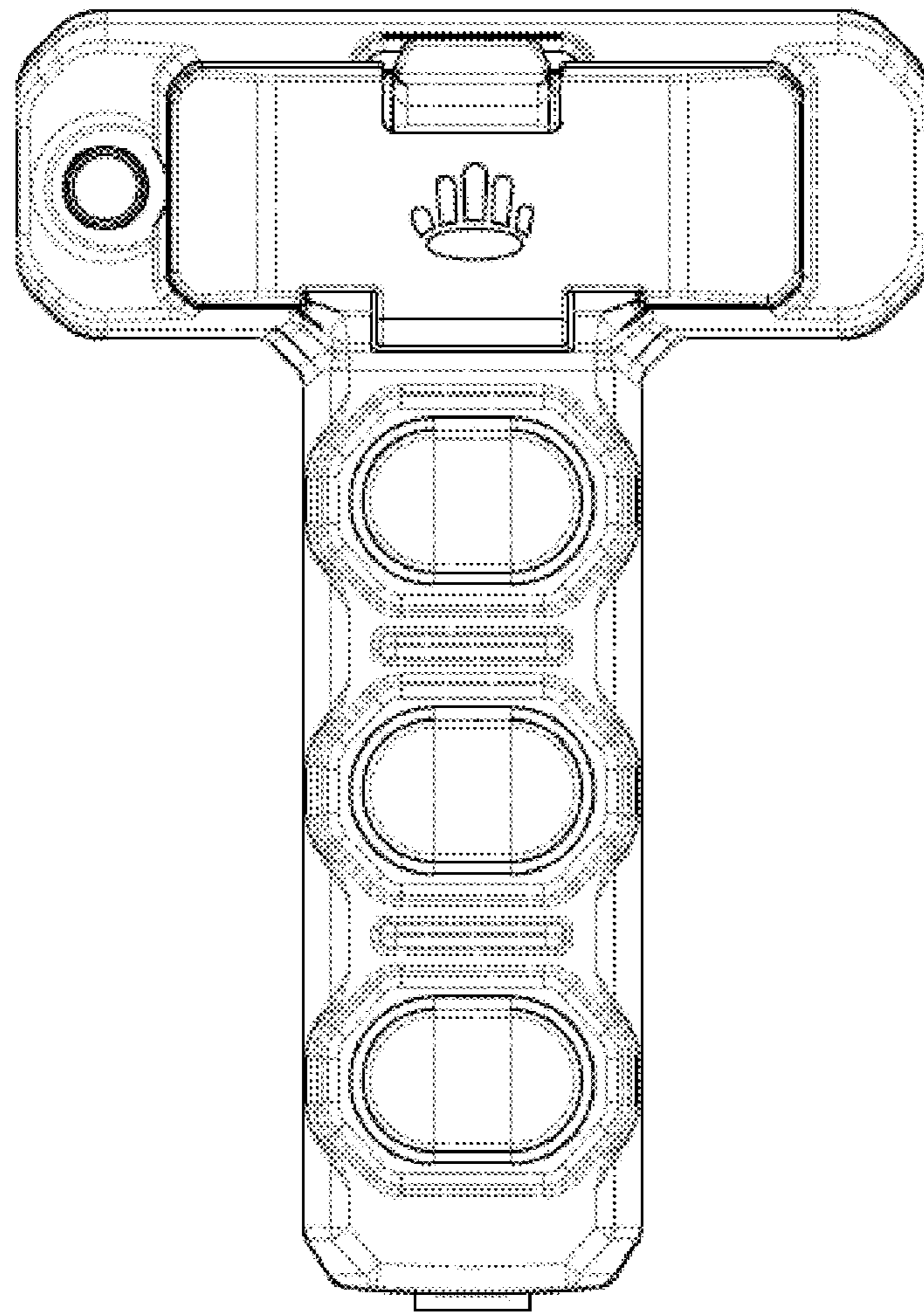


FIG. 1

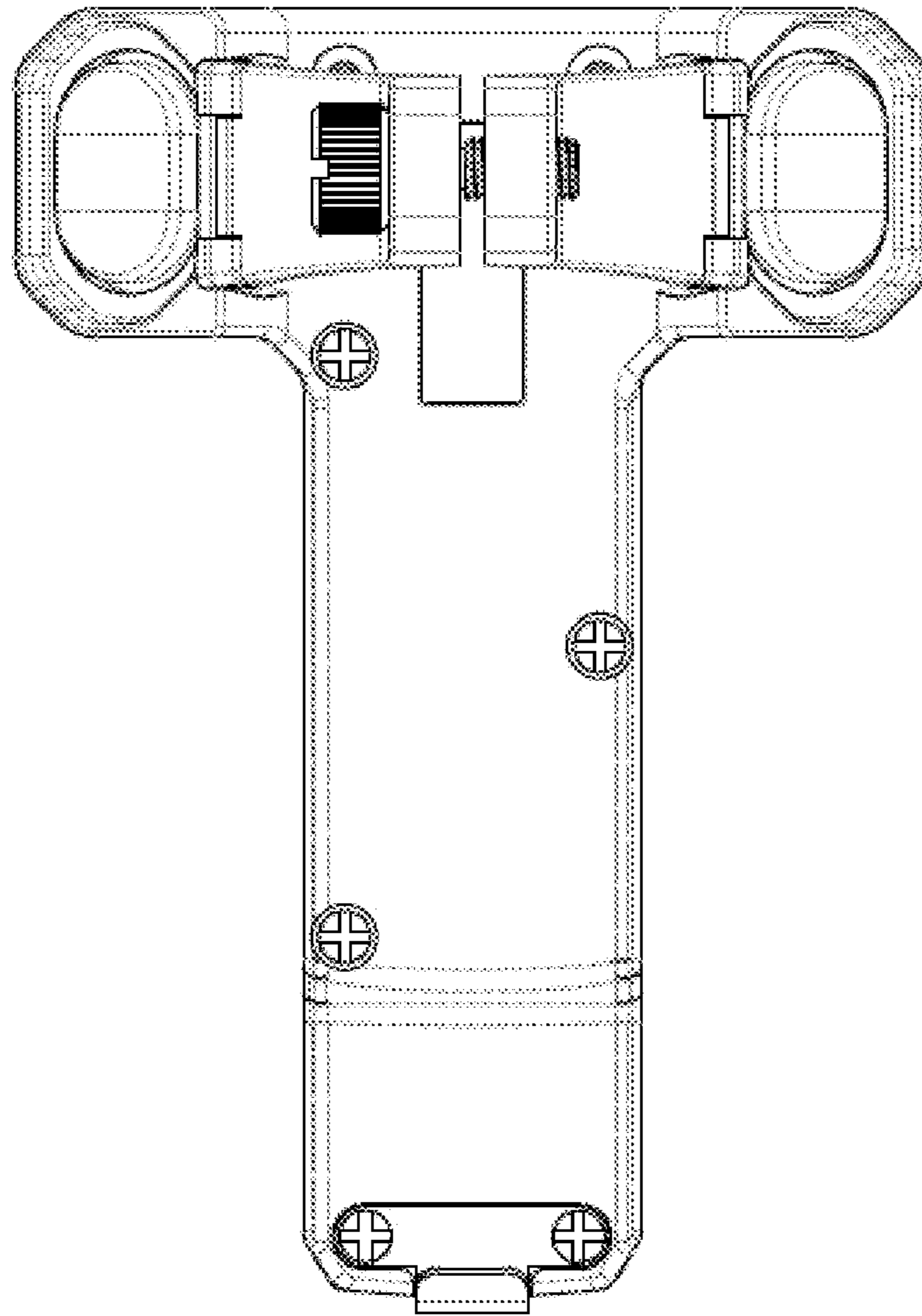


FIG. 2

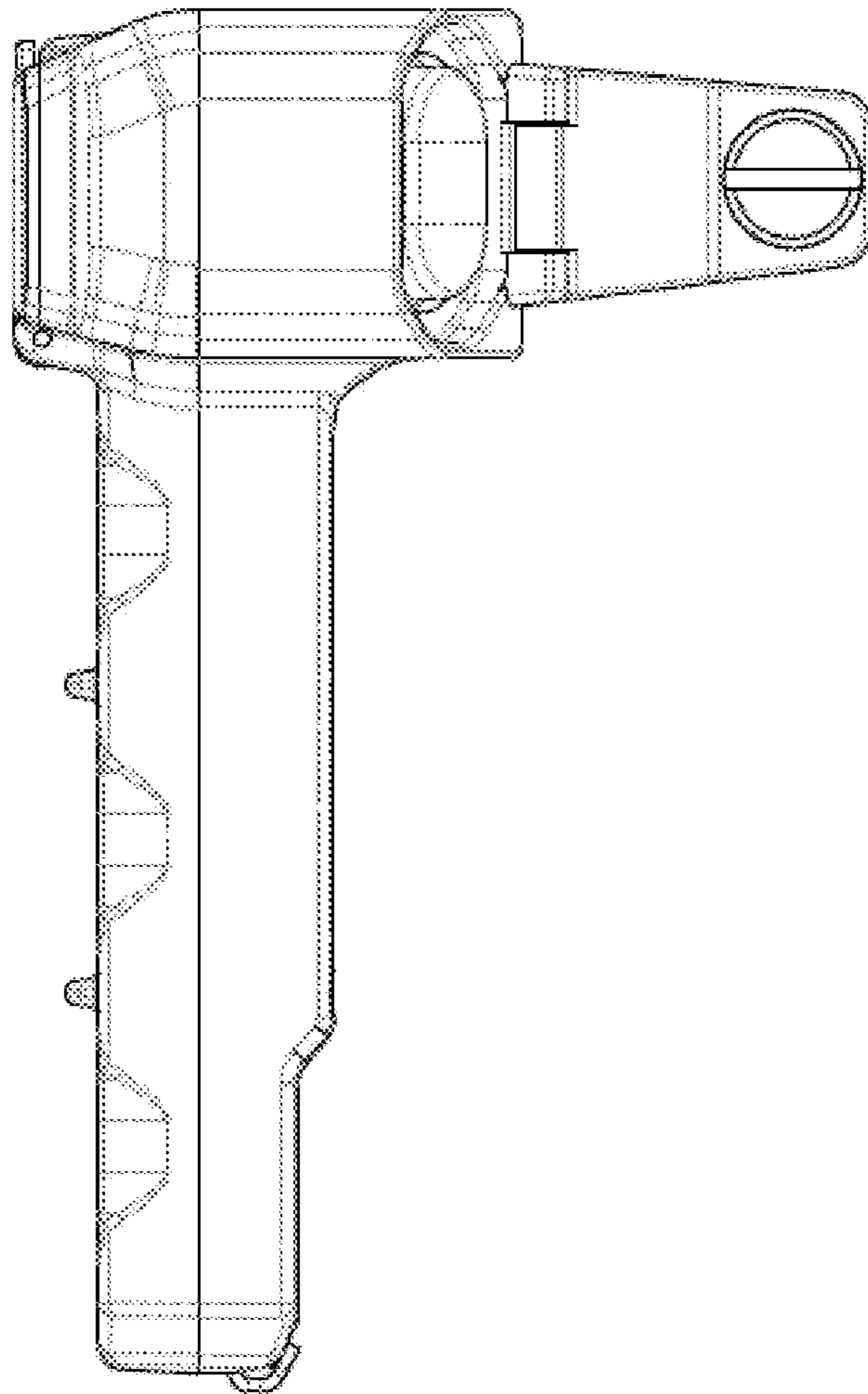


FIG. 3

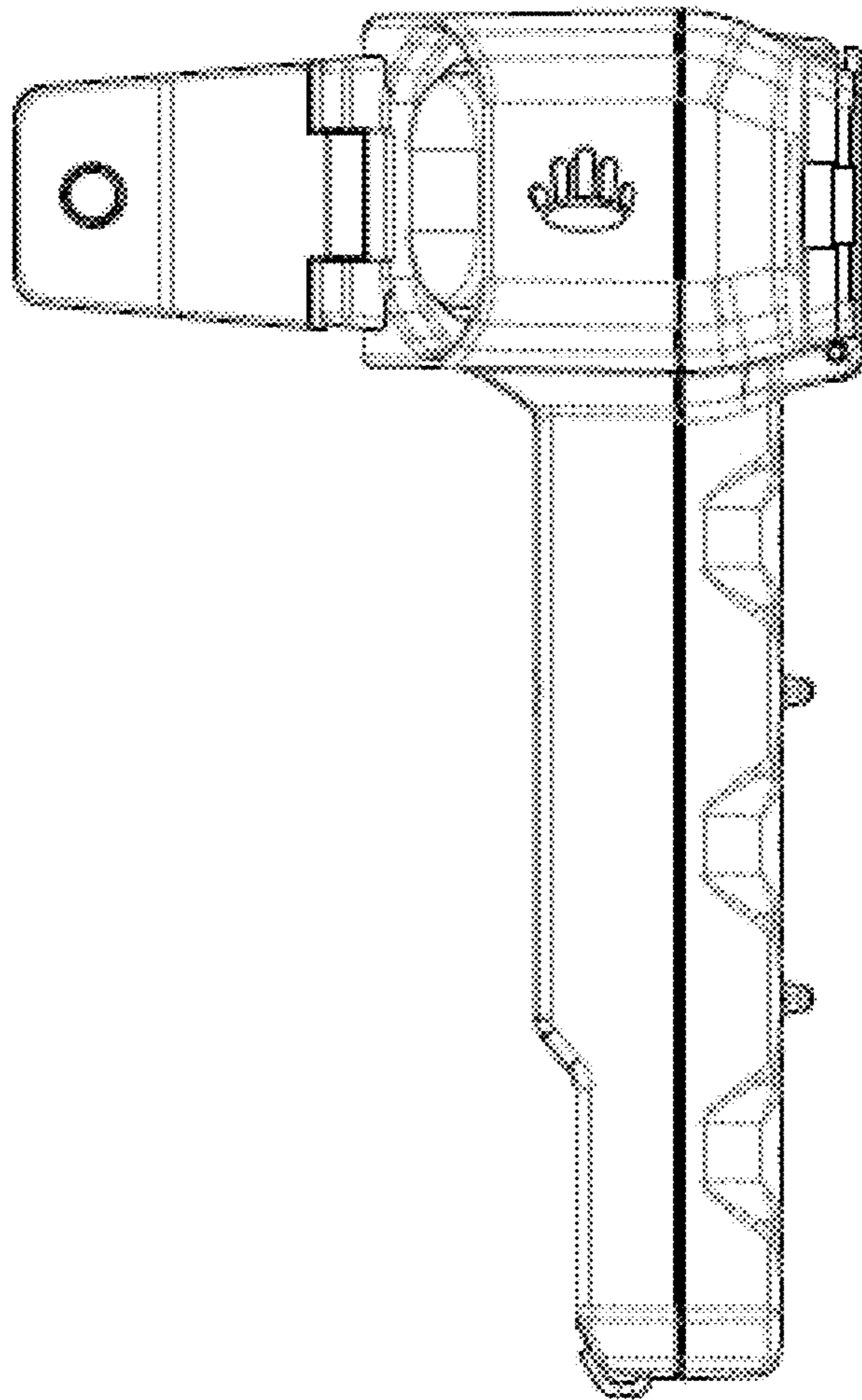


FIG. 4

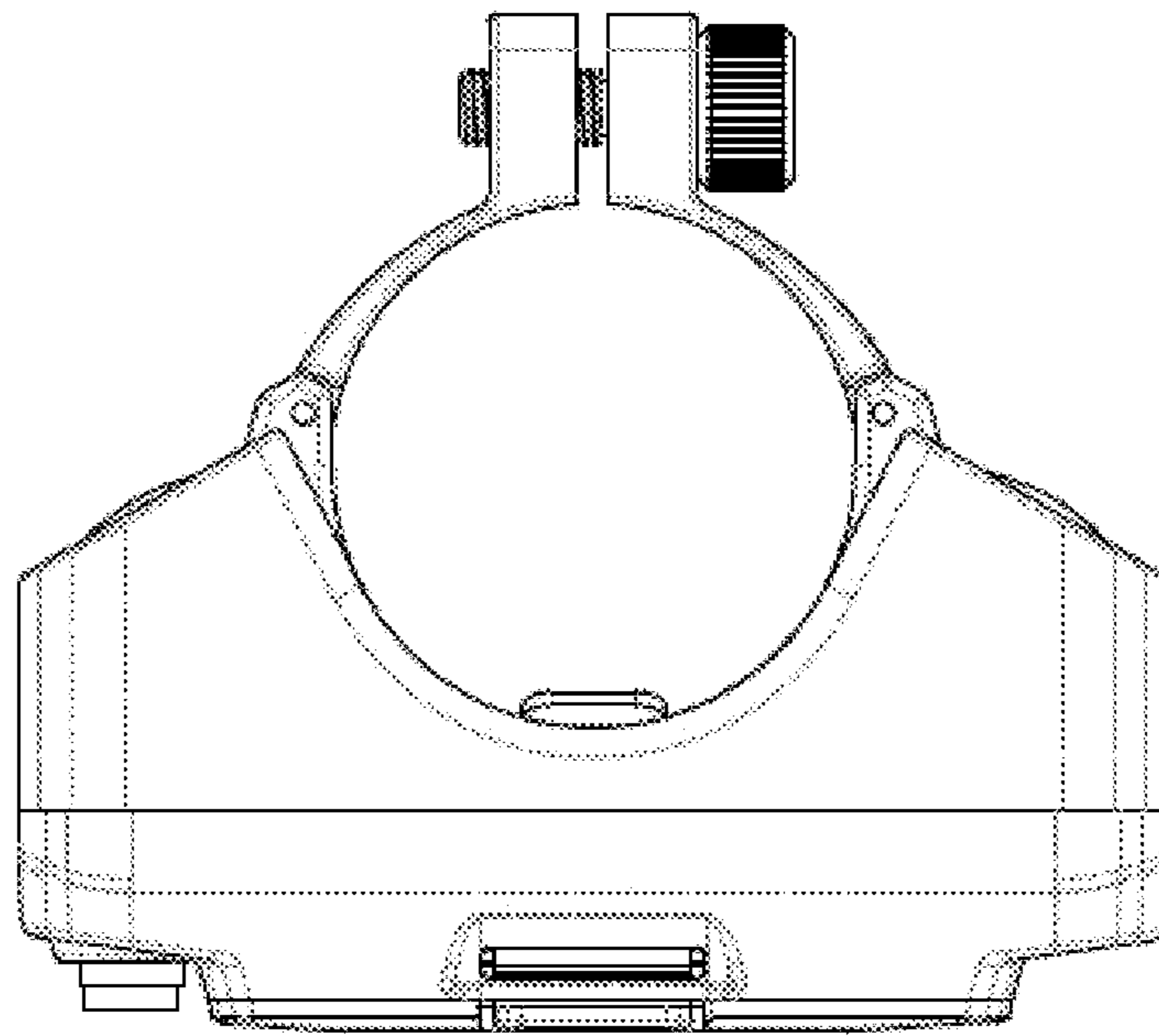


FIG. 5

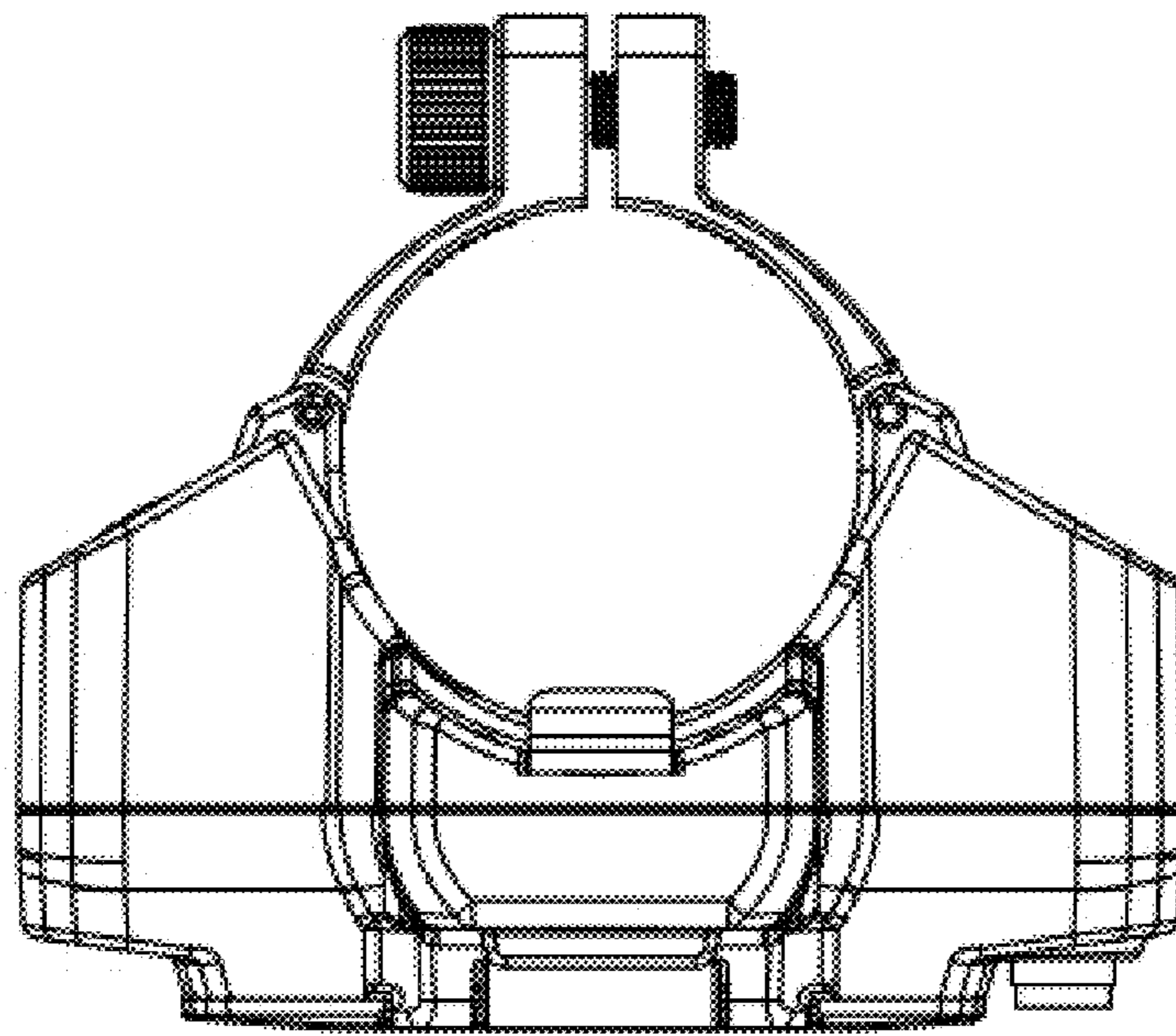


FIG. 6

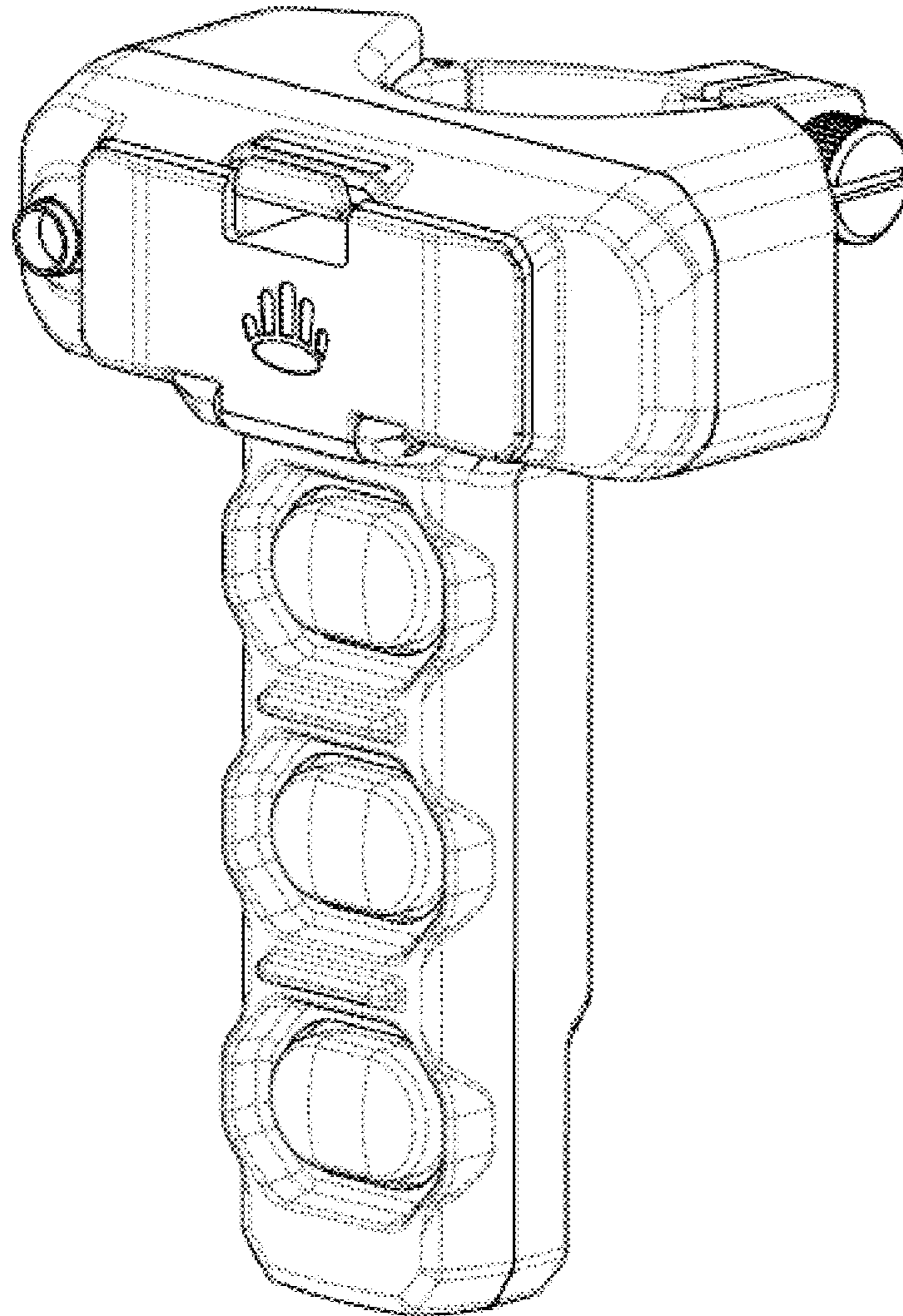


FIG. 7

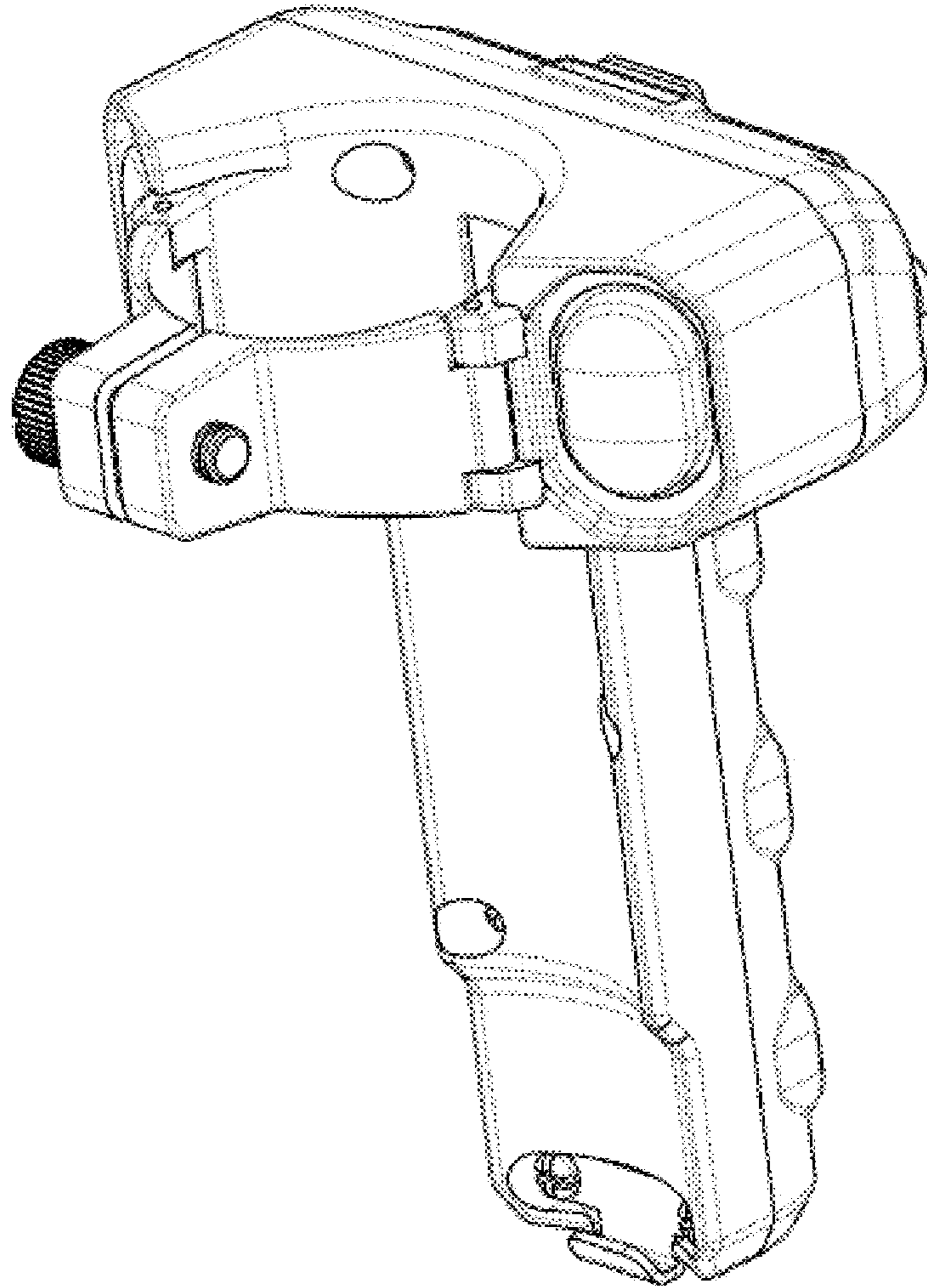


FIG. 8

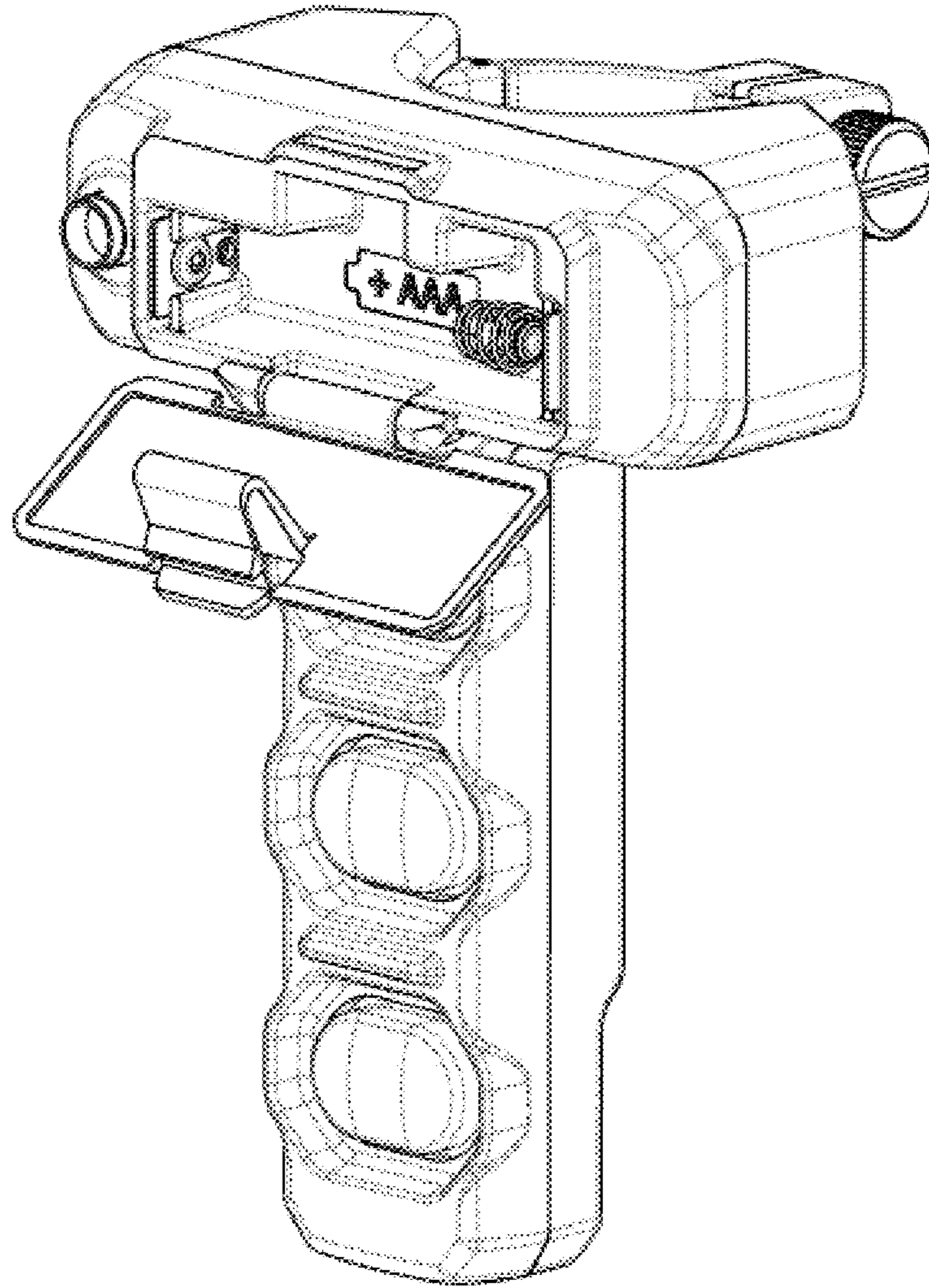


FIG. 9