



US00D881316S

(12) **United States Design Patent**
Browning

(10) **Patent No.:** **US D881,316 S**

(45) **Date of Patent:** **** Apr. 14, 2020**

(54) **AMMUNITION MAGAZINE WEIGHT**

(71) Applicant: **Peter M. Browning**, Savannah, GA
(US)

(72) Inventor: **Peter M. Browning**, Savannah, GA
(US)

(**) Term: **15 Years**

(21) Appl. No.: **29/659,493**

(22) Filed: **Aug. 9, 2018**

Related U.S. Application Data

(63) Continuation of application No. 16/020,786, filed on
Jun. 27, 2018, now Pat. No. 10,295,317.

(51) **LOC (12) Cl.** **22-01**

(52) **U.S. Cl.**
USPC **D22/108**

(58) **Field of Classification Search**
USPC D22/108
CPC F41C 27/22
See application file for complete search history.

(56) **References Cited**

U.S. PATENT DOCUMENTS

5,689,907 A * 11/1997 Cooley F41A 9/61
42/1.01

2019/0025029 A1* 1/2019 Browning F41A 33/00

* cited by examiner

Primary Examiner — Michael A. Pratt

(74) *Attorney, Agent, or Firm* — John G. Posa; Belzer PC

(57) **CLAIM**

The ornamental design for an ammunition magazine weight,
as shown and described.

DESCRIPTION

FIG. 1 is a top, back, left side perspective of an ammunition
magazine weight;

FIG. 2 is front view of the ammunition magazine weight;

FIG. 3 is left side view of the ammunition magazine weight;

FIG. 4 is a top view of the ammunition magazine weight;

FIG. 5 is a right side view of the ammunition magazine
weight;

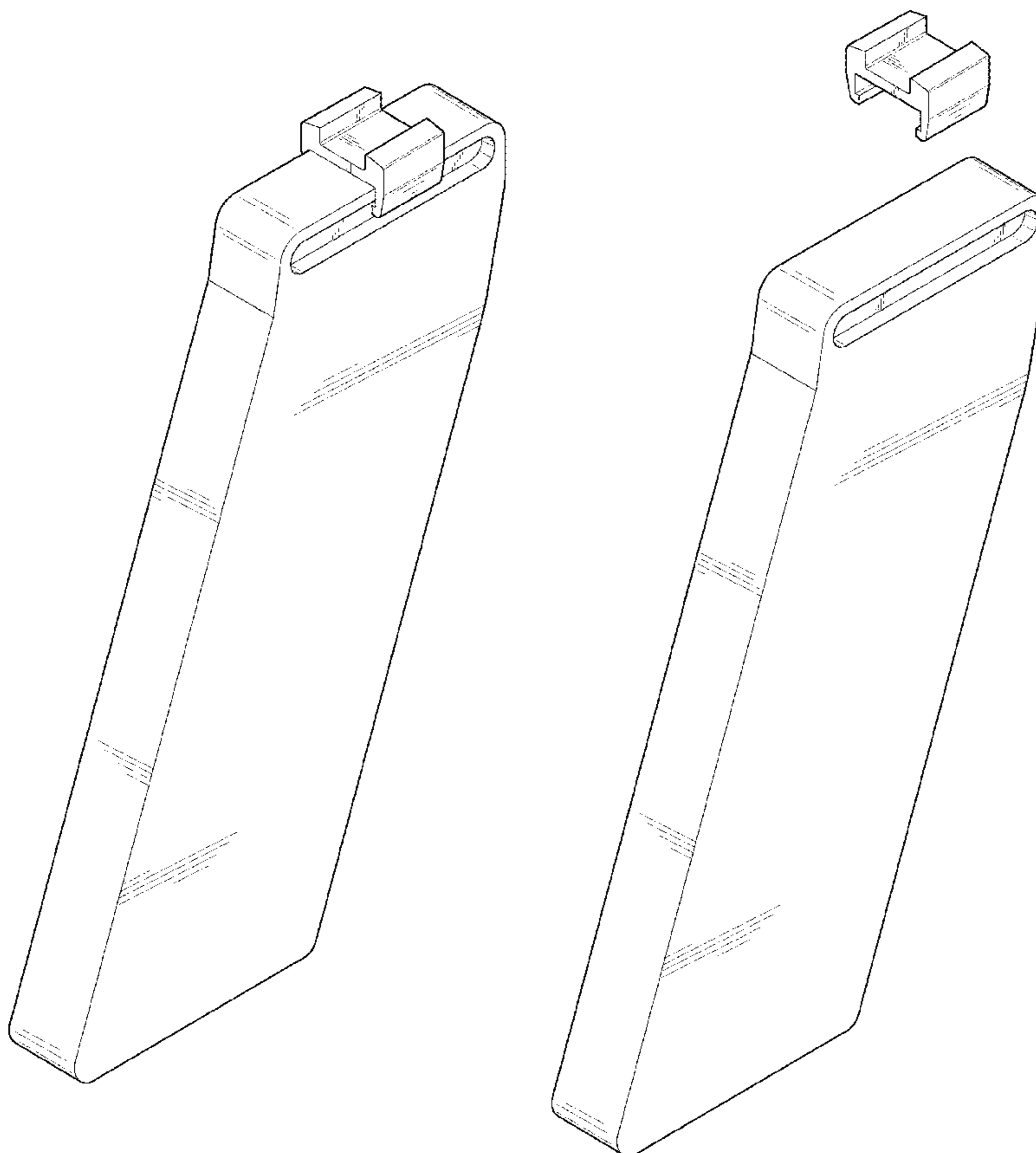
FIG. 6 is a rear view of the ammunition magazine weight;

FIG. 7 is a bottom view of the ammunition magazine weight;
and,

FIG. 8 is a top, back, left side perspective of the ammunition
magazine weight showing a removable, sliding clip in a
detached condition.

The broken lines in the drawings depict portions of the
ammunition magazine weight that form no part of the
claimed design.

1 Claim, 4 Drawing Sheets



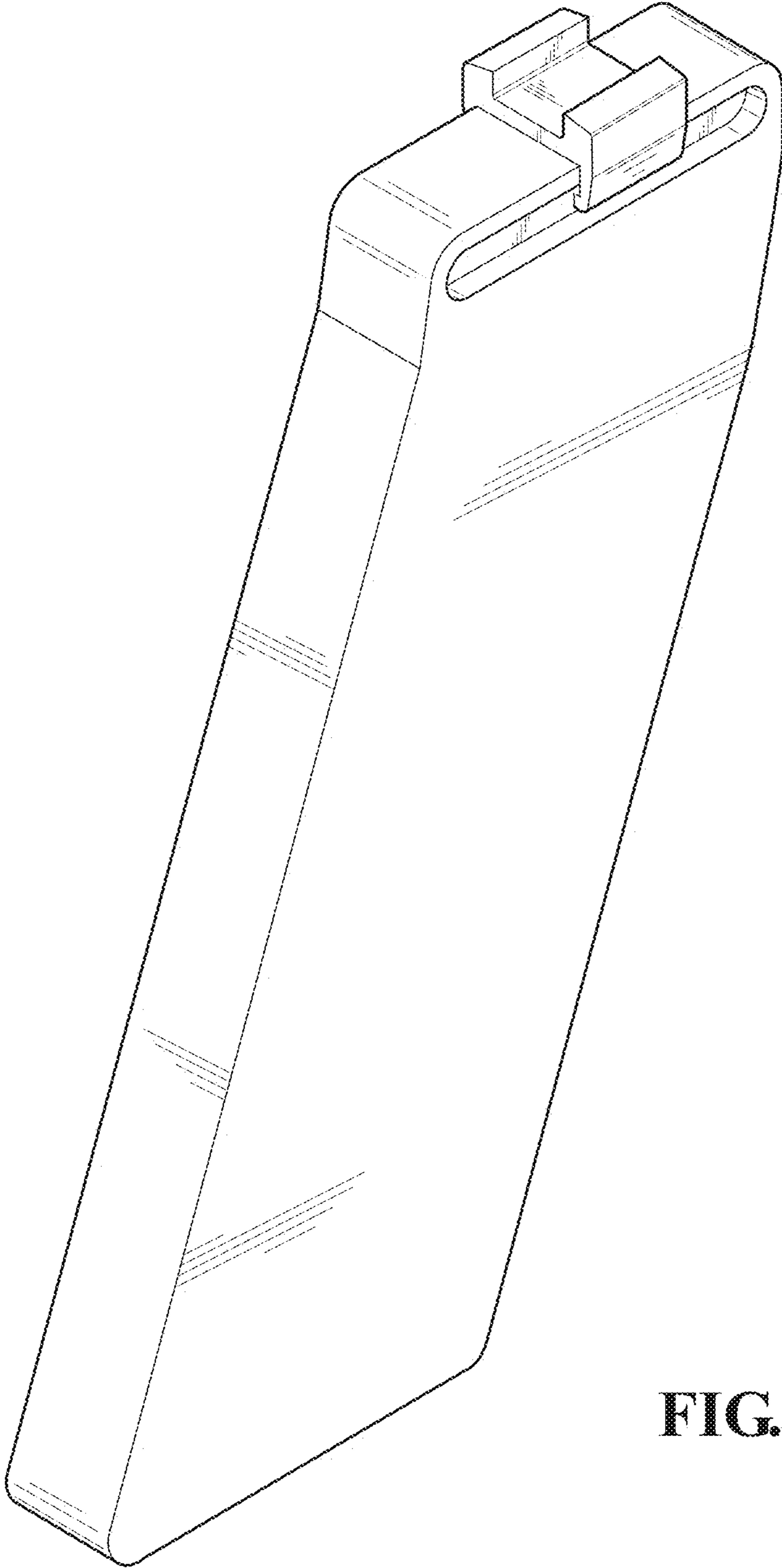


FIG. 1

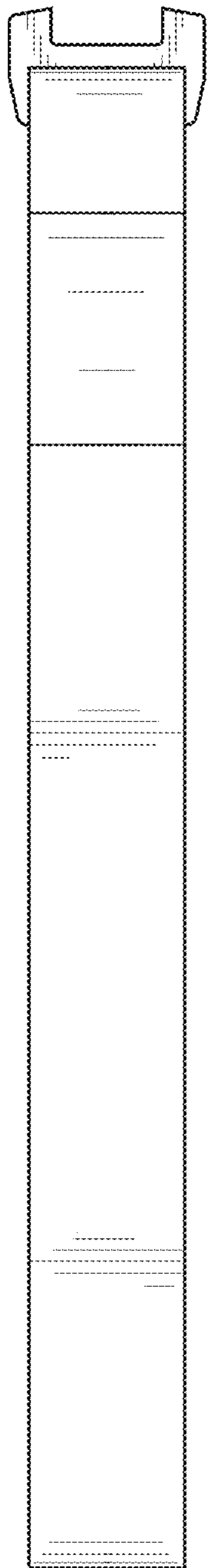


FIG. 2

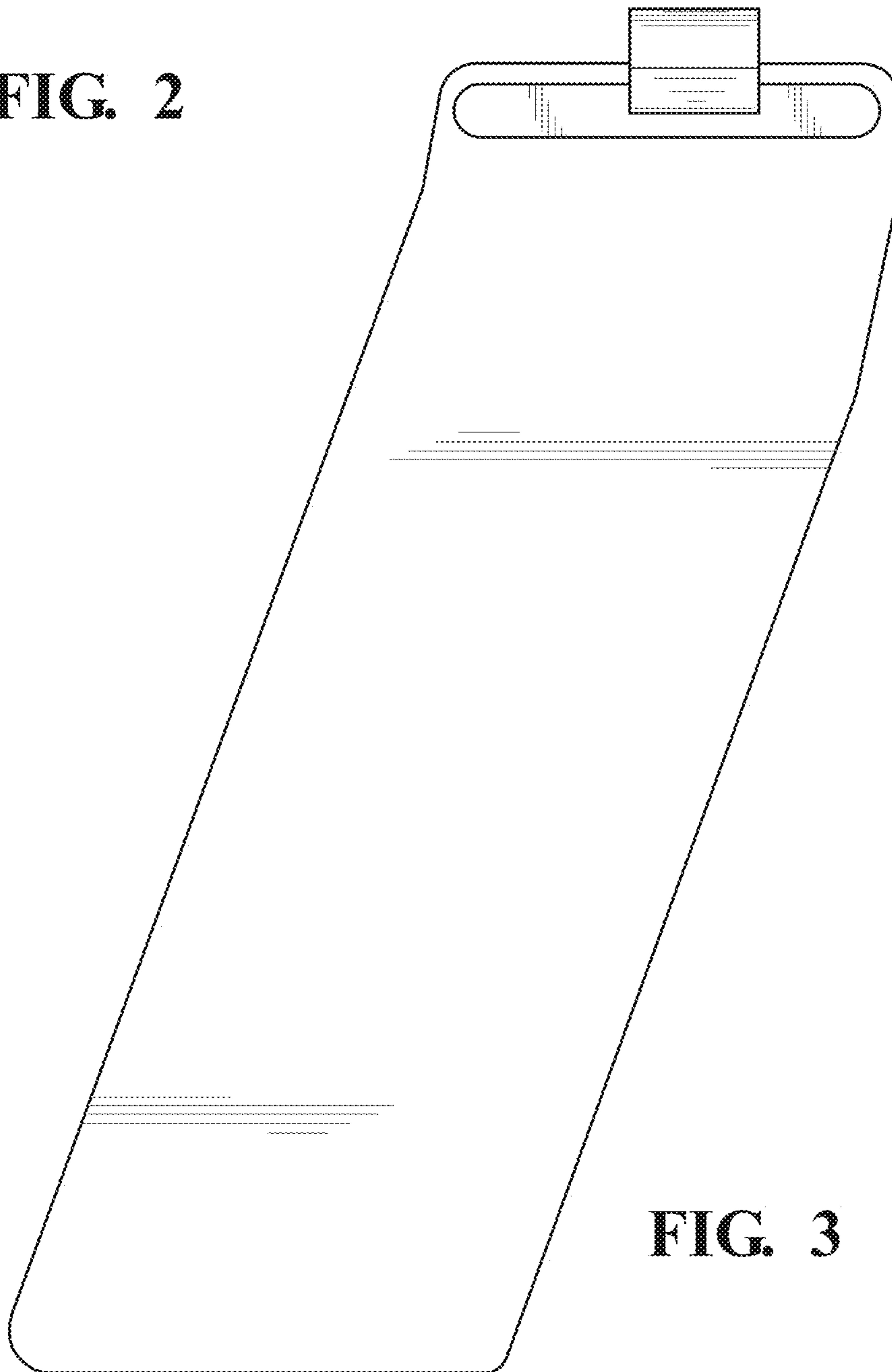


FIG. 3

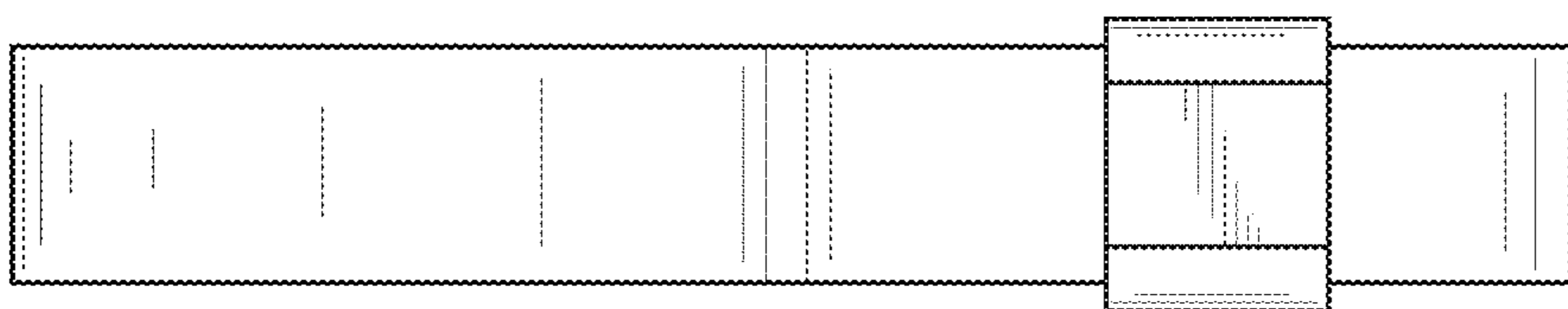


FIG. 4

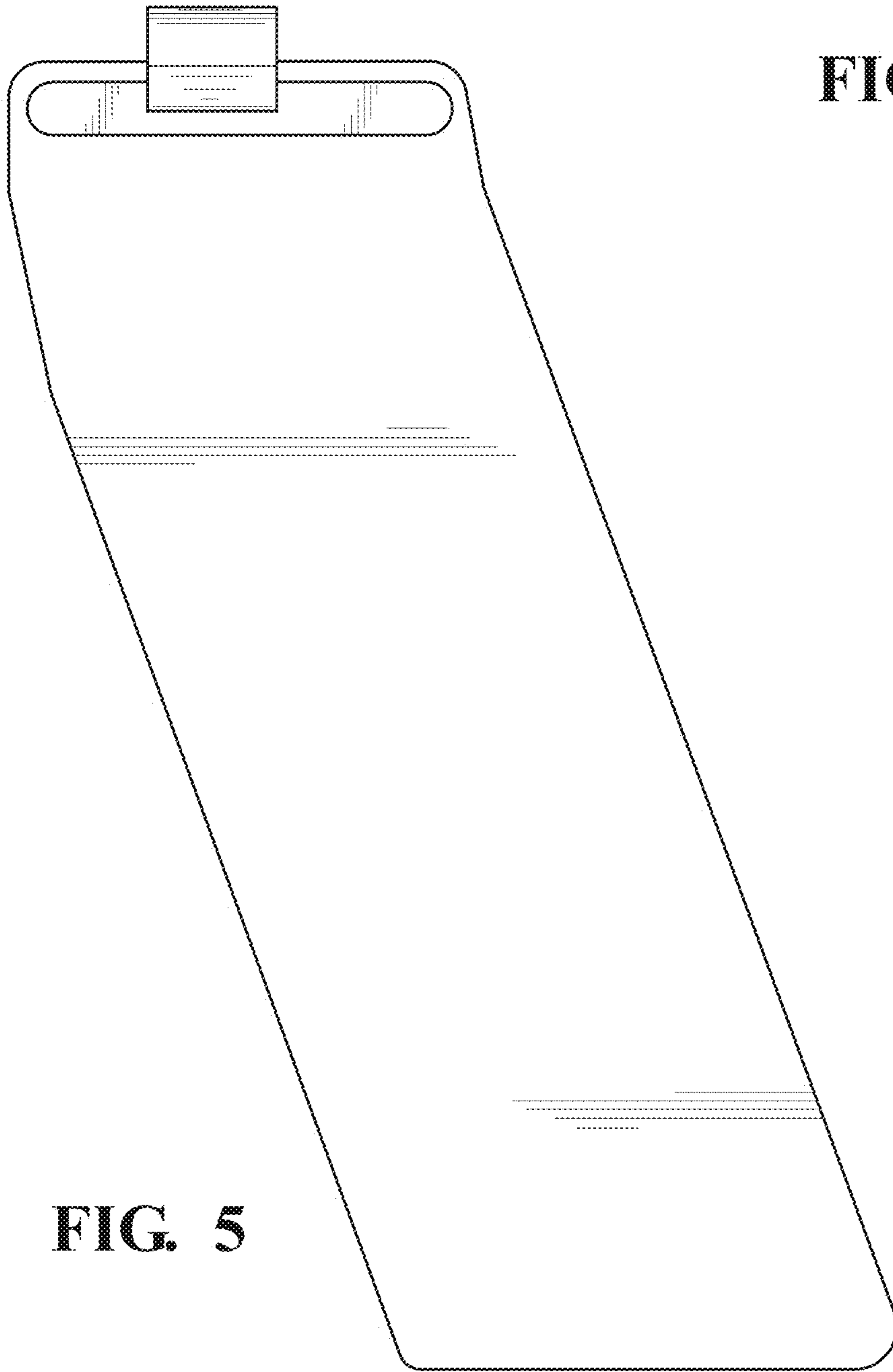


FIG. 5

FIG. 6

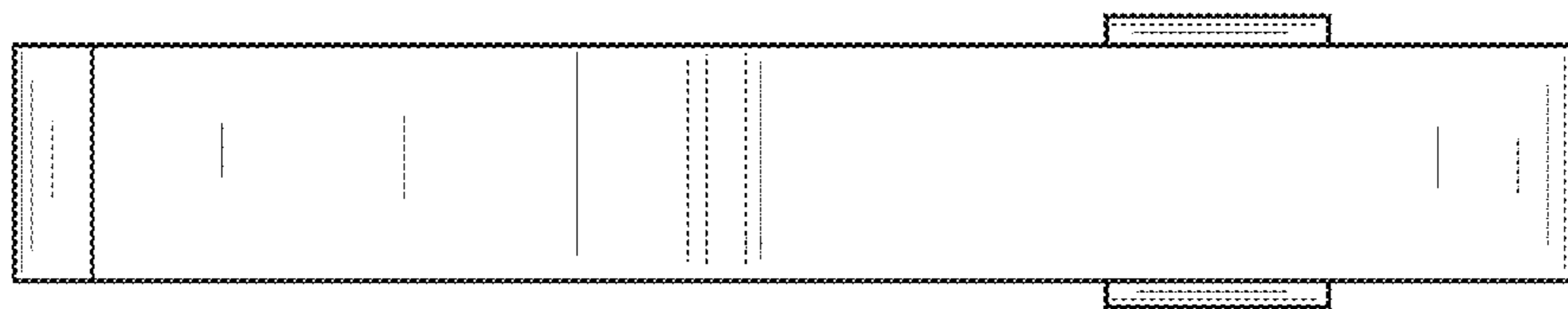
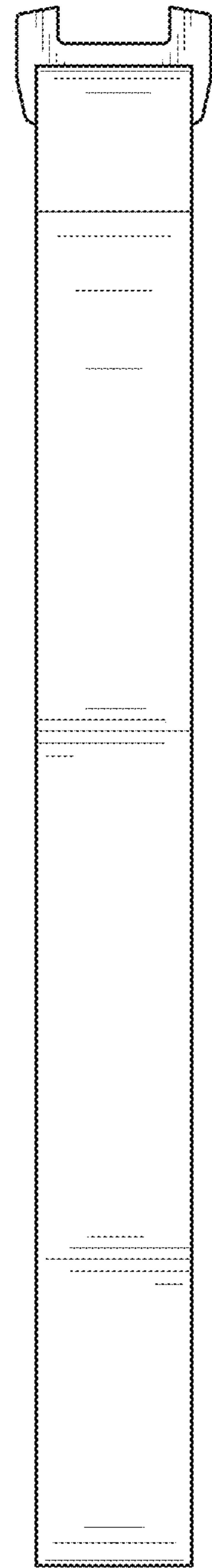


FIG. 7

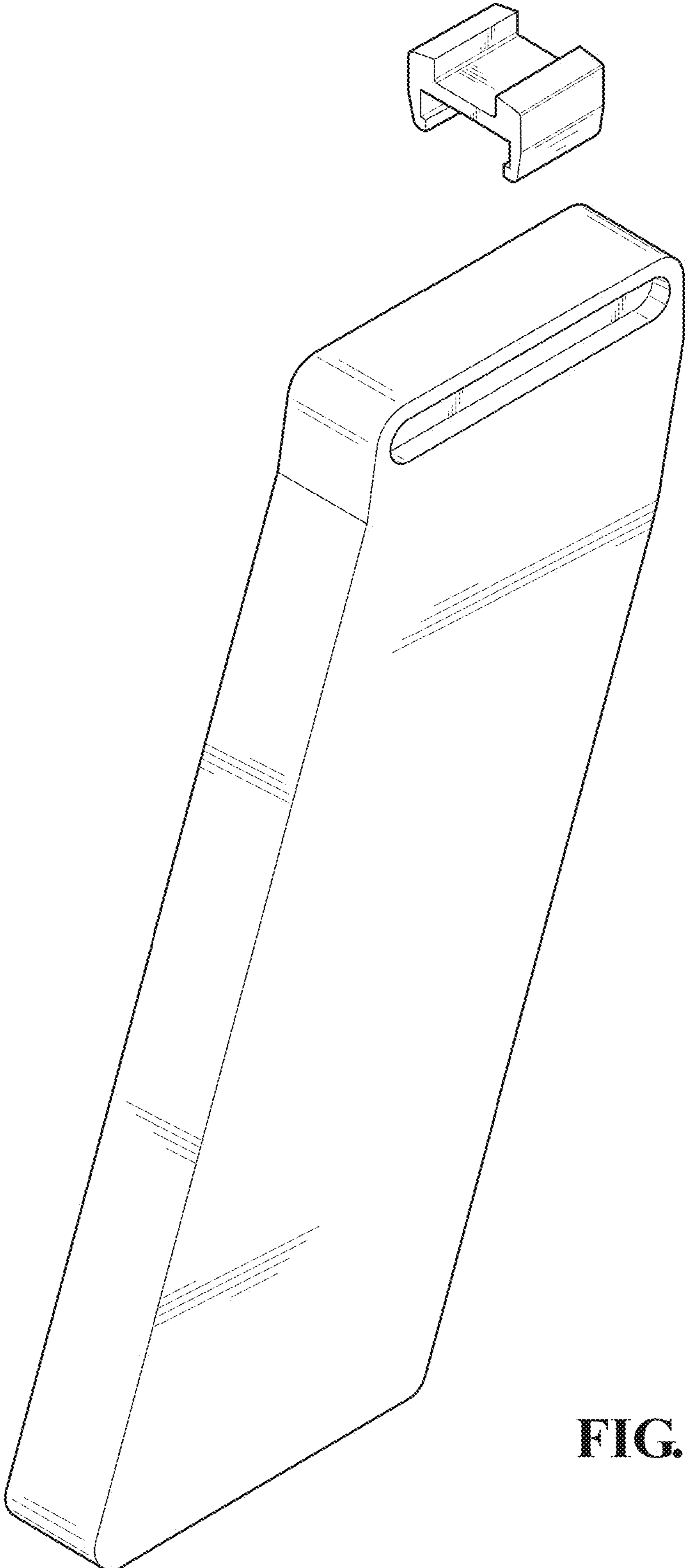


FIG. 8