



US00D881315S

(12) **United States Design Patent** (10) **Patent No.:** **US D881,315 S**  
**Liu** (45) **Date of Patent:** **\*\* Apr. 14, 2020**

(54) **BIPOD DUAL-MOUNT ATTACHMENT BASE**

(71) Applicant: **Cheh-Kang Liu**, Taipei (TW)

(72) Inventor: **Cheh-Kang Liu**, Taipei (TW)

(\*\*) Term: **15 Years**

(21) Appl. No.: **29/657,104**

(22) Filed: **Jul. 19, 2018**

(51) **LOC (12) Cl.** ..... **22-01**

(52) **U.S. Cl.**  
USPC ..... **D22/108**

(58) **Field of Classification Search**  
USPC ..... D16/219, 237–250; D8/354, 355, 363,  
D8/373, 382–383, 394–396; D14/224,  
D14/229, 238, 251, 253, 447, 451, 457;  
D22/108–110  
CPC ..... F16M 11/06–10; F16M 11/14; G02B  
7/00–002; G03B 17/56; G03B  
17/261–568; H04N 5/2253–2254  
See application file for complete search history.

(56) **References Cited**

**U.S. PATENT DOCUMENTS**

7,676,977	B1 *	3/2010	Cahill	.....	F16M 11/16 248/168
D614,944	S *	5/2010	Maro	.....	D8/394
7,845,267	B2 *	12/2010	Potterfield	.....	F41G 11/004 89/37.04
8,104,213	B2 *	1/2012	Keng	.....	F41A 23/10 42/94
D698,888	S *	2/2014	Hicks	.....	D22/199
D790,652	S *	6/2017	Gaddini	.....	D22/108
10,128,887	B2 *	11/2018	Balmer	.....	A45F 5/10
10,161,706	B2 *	12/2018	Roberts	.....	F41A 23/10
10,184,746	B1 *	1/2019	Liu	.....	F41A 23/10

D843,358	S *	3/2019	Davis	.....	D14/238
10,234,232	B1 *	3/2019	Liu	.....	F41A 23/10
D850,519	S *	6/2019	Kim	.....	D16/237
2010/0084524	A1 *	4/2010	Faifer	.....	F16M 11/041 248/170
2014/0115940	A1 *	5/2014	Bonelli	.....	F16M 11/14 42/94
2018/0202746	A1 *	7/2018	Flood, Jr.	.....	F41A 23/10
2018/0216907	A1 *	8/2018	Roberts	.....	F41A 23/10

**OTHER PUBLICATIONS**

Champion Pivot Traverse Bipod Sling Swivel Stud Mount. [online] Published on Mar. 19, 2017. Retrieved Jun. 24, 2019 from URL: [https://www.midwayusa.com/product/171250/champion-pivot-traverse-bipod-sling-swivel-stud-mount-1425-to-2925-black.\\*](https://www.midwayusa.com/product/171250/champion-pivot-traverse-bipod-sling-swivel-stud-mount-1425-to-2925-black.*)

\* cited by examiner

*Primary Examiner* — Vy N Koenig  
(74) *Attorney, Agent, or Firm* — Jackson IPG PLLC;  
Demian K. Jackson

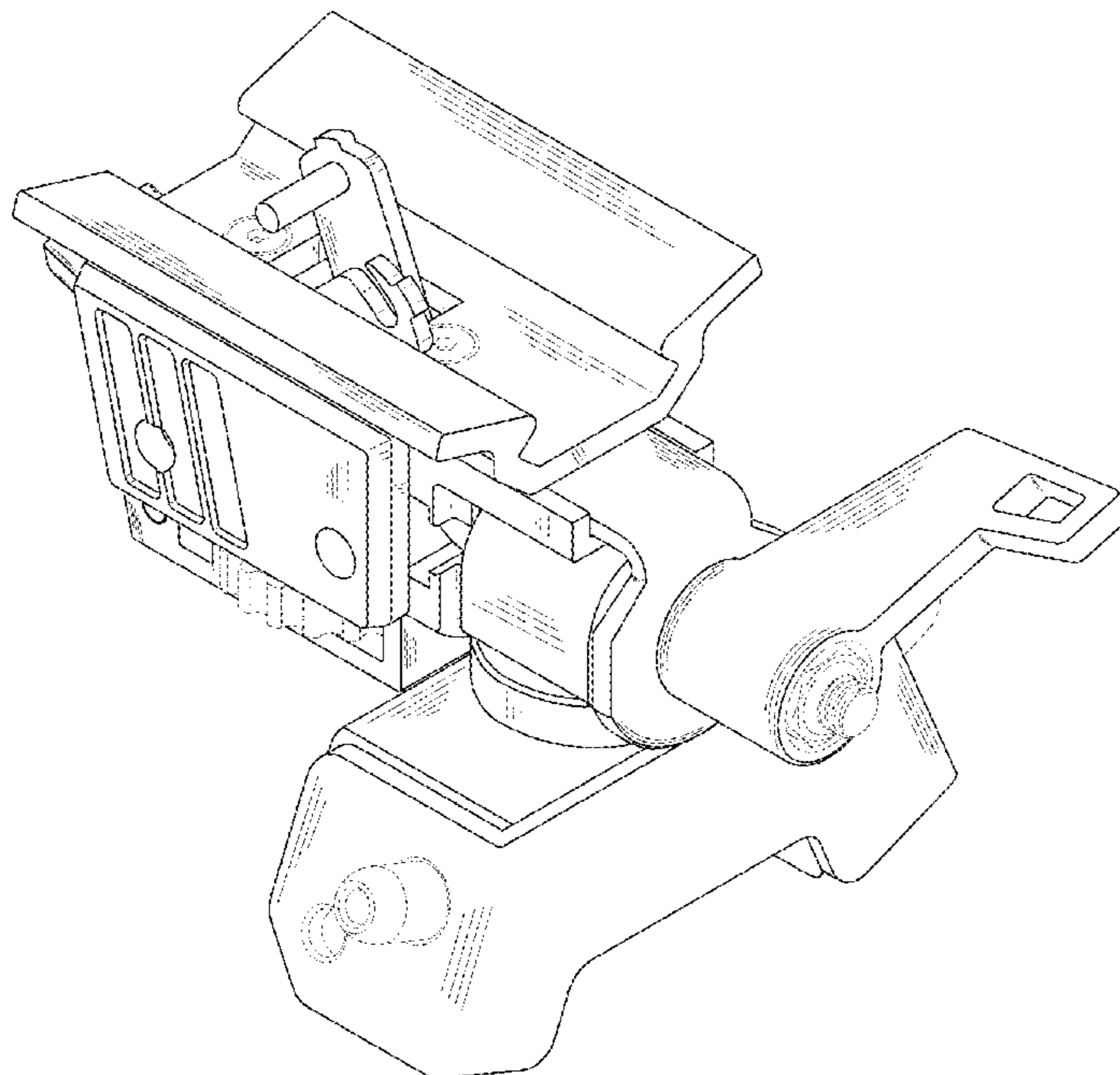
(57) **CLAIM**

The ornamental design for a bipod dual-mount attachment base, as shown and described.

**DESCRIPTION**

FIG. 1 is a perspective view of a bipod dual-mount attachment base showing my new design;  
FIG. 2 is a front elevational view thereof;  
FIG. 3 is a rear elevational view thereof;  
FIG. 4 is a top plan view thereof.  
FIG. 5 is a bottom plan view thereof; and  
FIG. 6 is a right side elevational view thereof; and,  
FIG. 7 is a left side elevational view thereof.  
The broken lines in the drawings depict environmental features, specifically a gear, holes, nuts and bolts that forms no part of the claimed design.

**1 Claim, 7 Drawing Sheets**



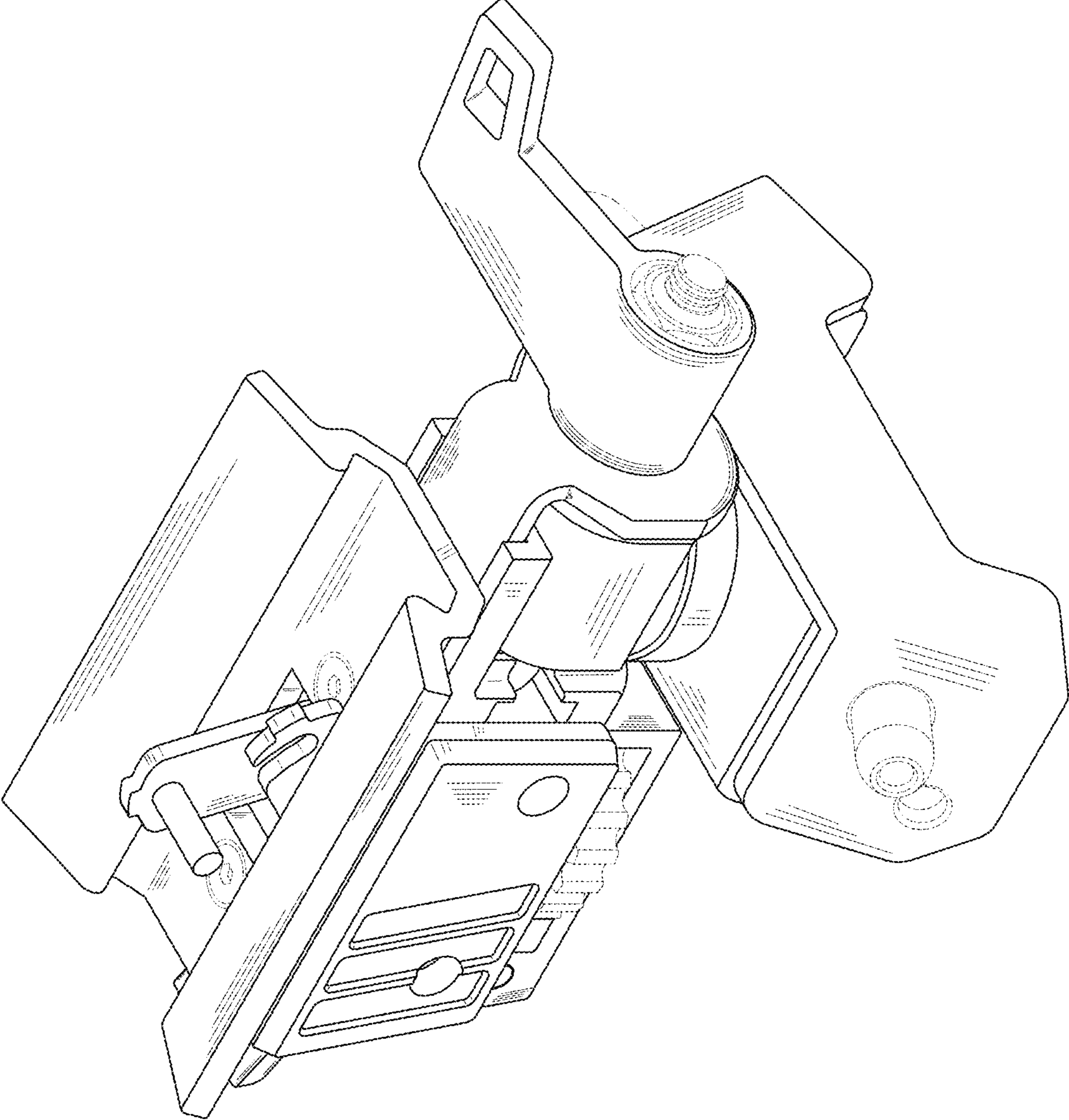


Fig. 1

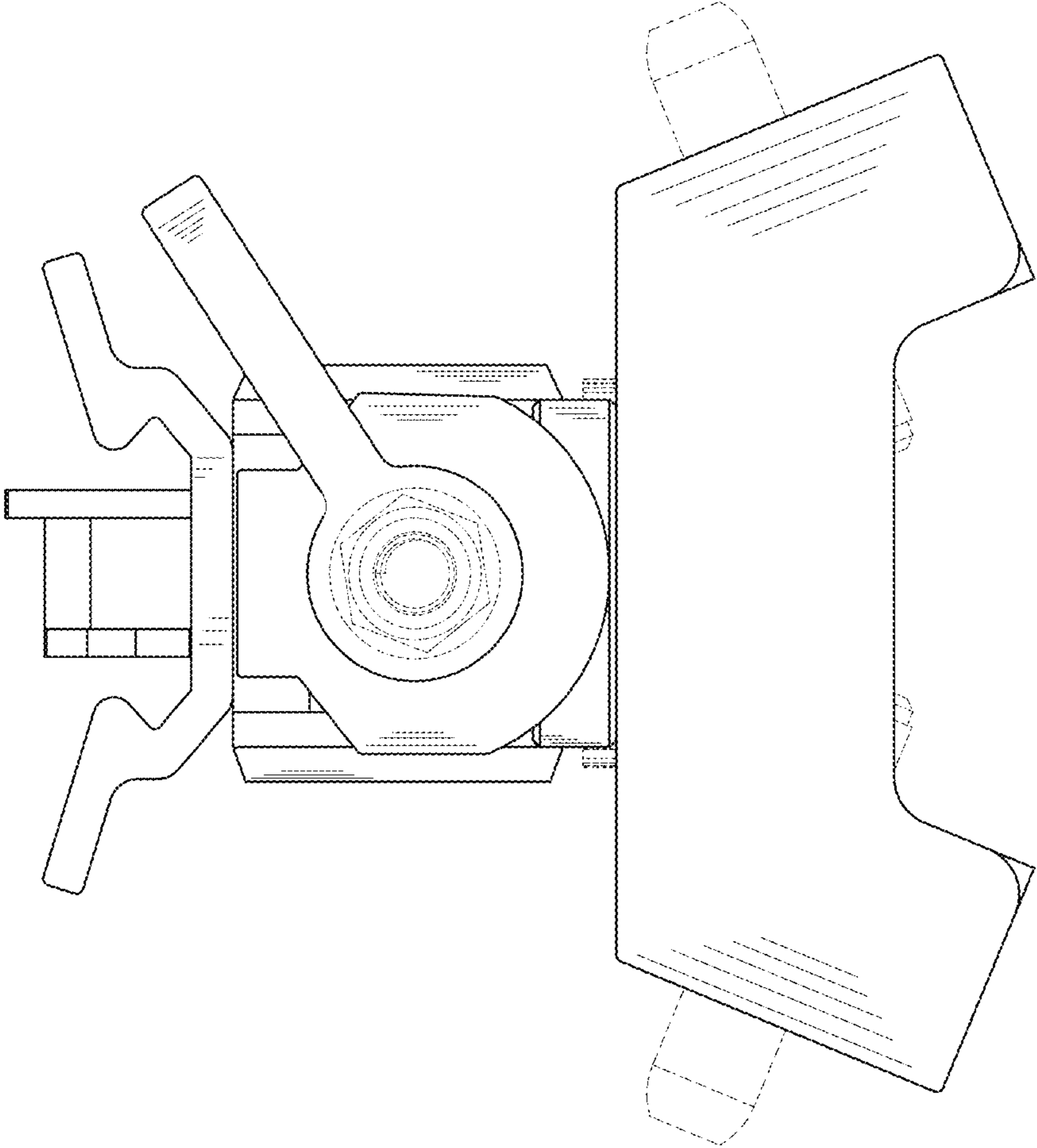


Fig. 2

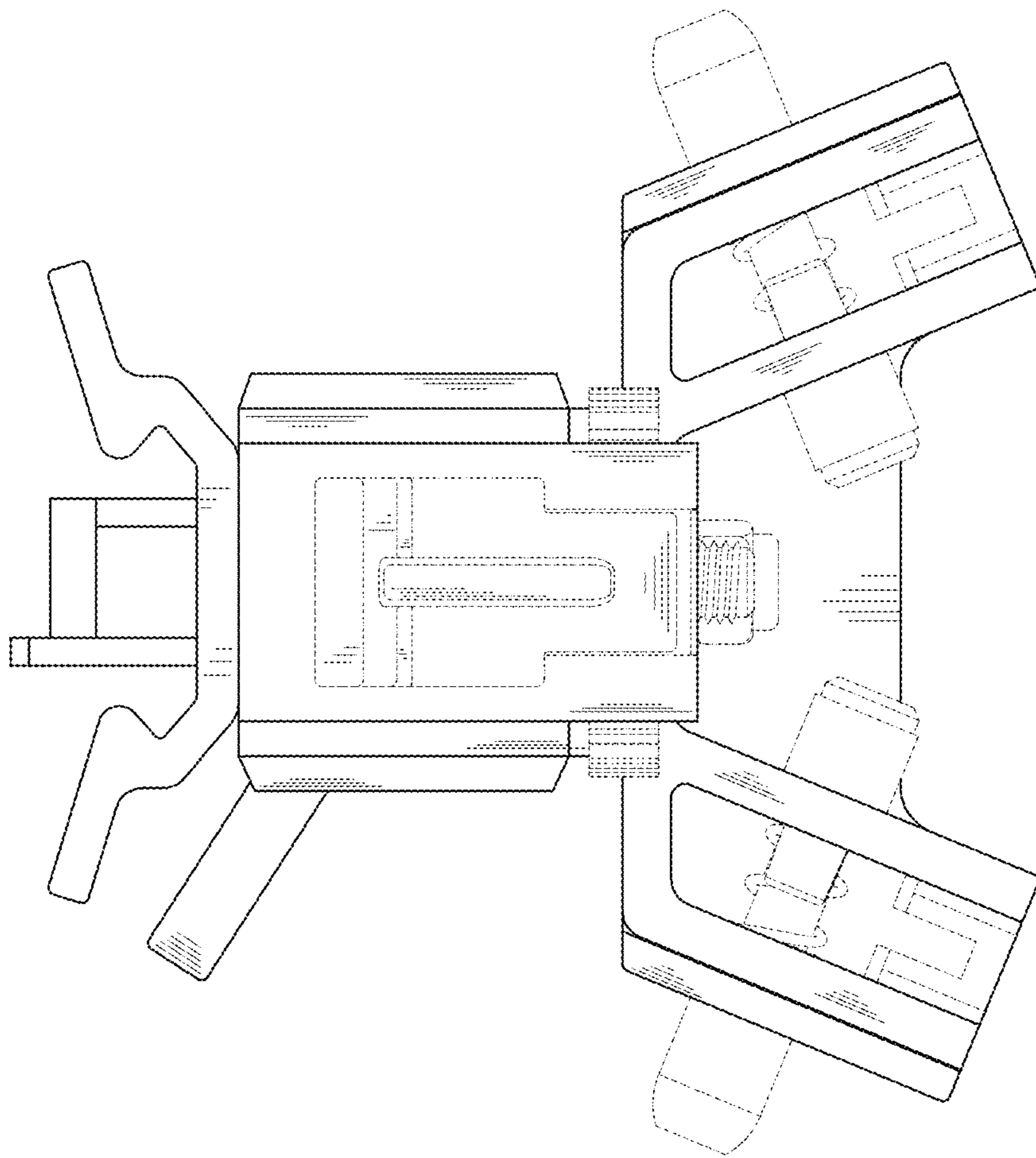


Fig. 3

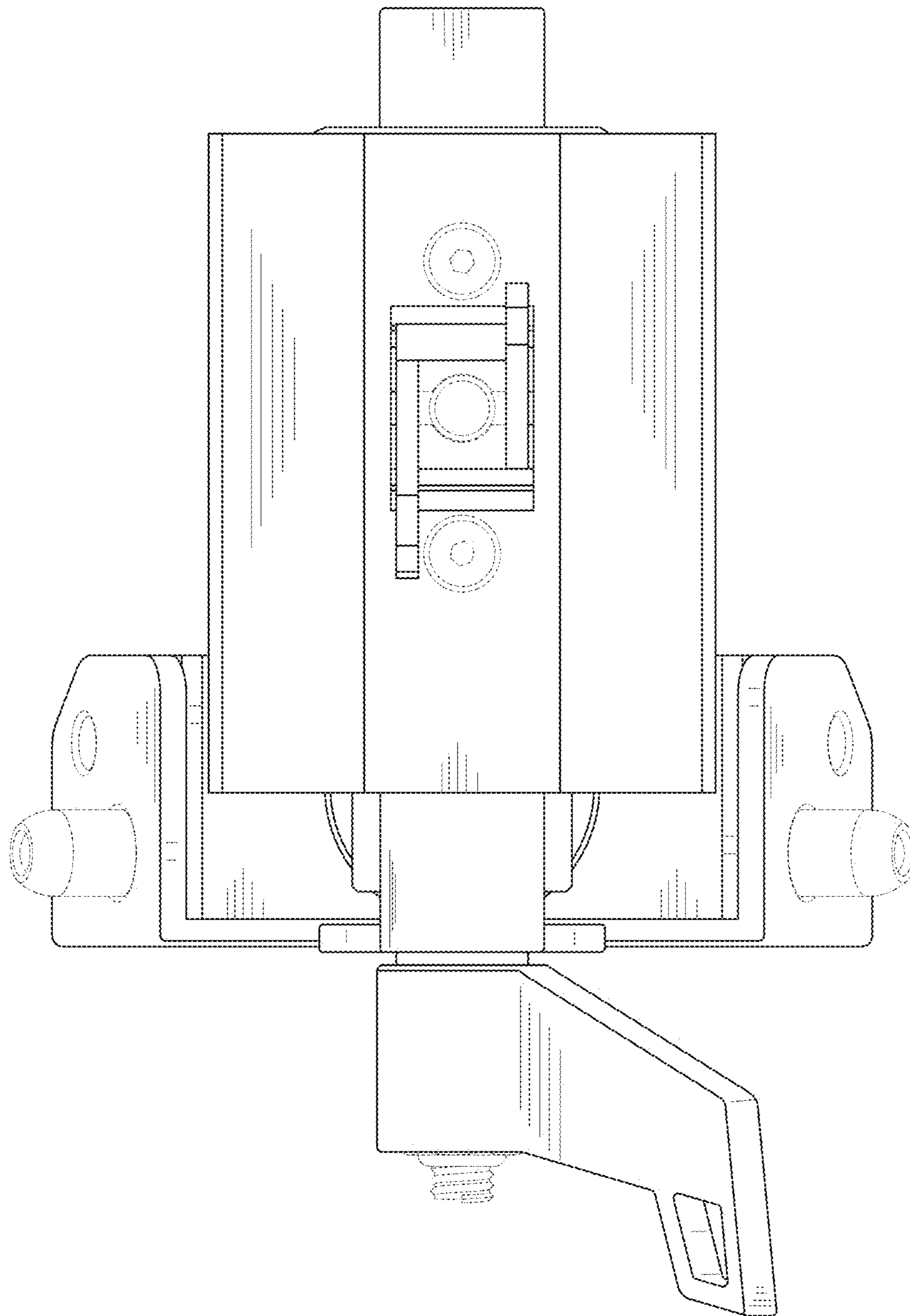


Fig. 4

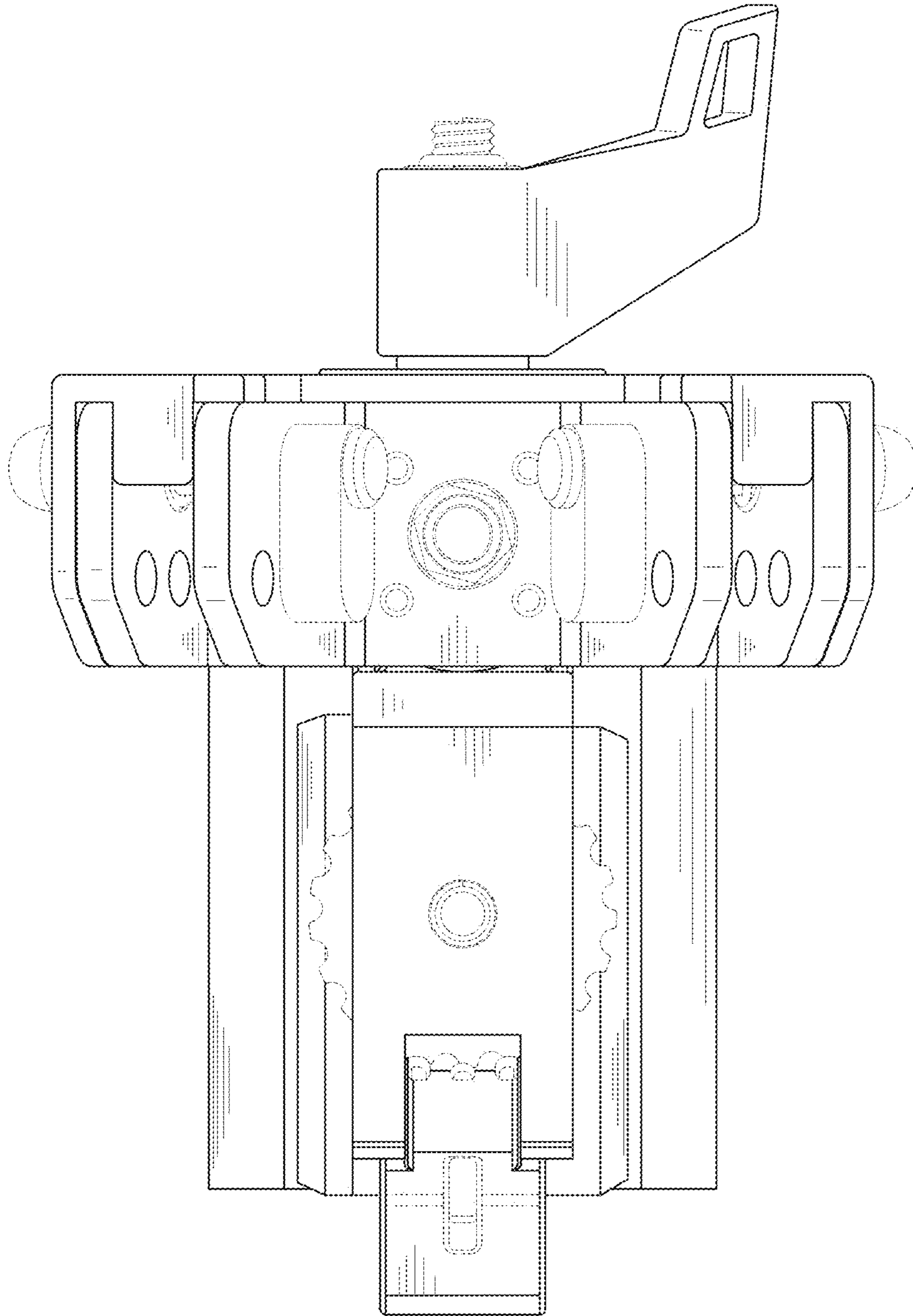


Fig. 5

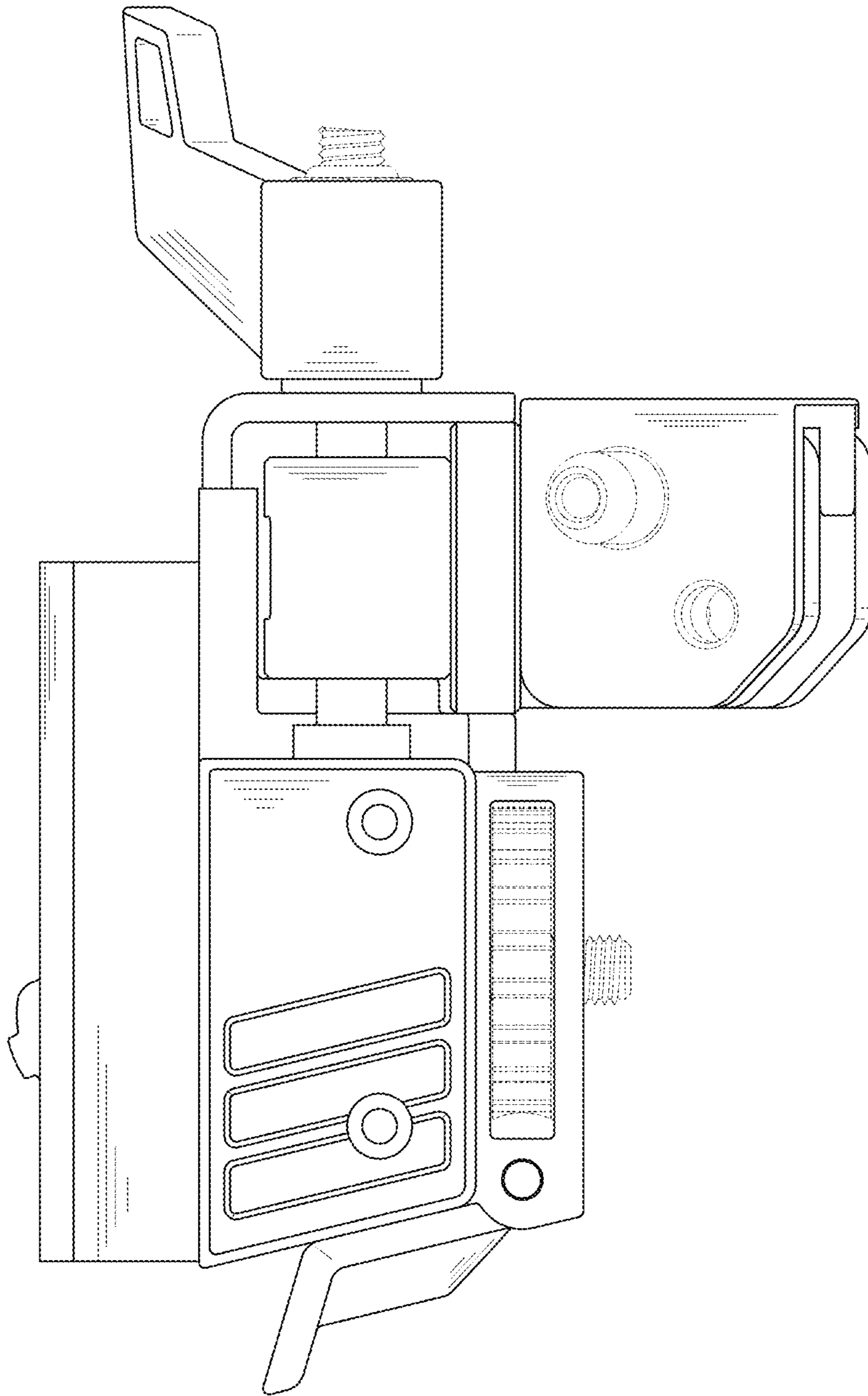


Fig. 6

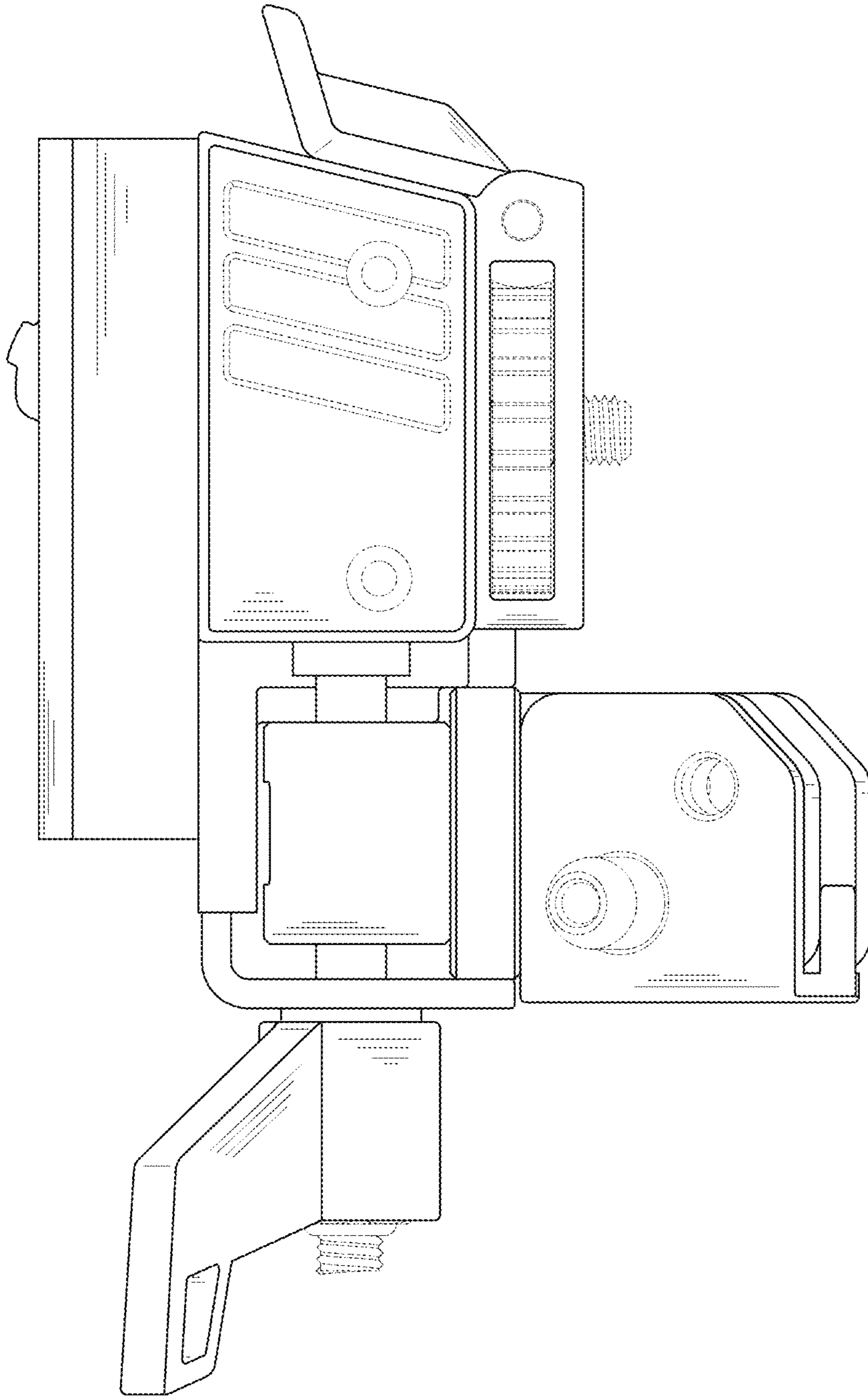


Fig. 7