



US00D881314S

(12) **United States Design Patent**
Oldham

(10) **Patent No.:** **US D881,314 S**

(45) **Date of Patent:** **** Apr. 14, 2020**

(54) **FIREARM GRIP**

(71) Applicant: **Elijah Aaron Oldham**, White Plains, KY (US)

(72) Inventor: **Elijah Aaron Oldham**, White Plains, KY (US)

(73) Assignee: **Elijah Aaron Oldham**, White Plains, KY (US)

(**) Term: **15 Years**

(21) Appl. No.: **29/651,743**

(22) Filed: **Feb. 21, 2019**

(51) **LOC (12) Cl.** **22-01**

(52) **U.S. Cl.**
USPC **D22/108**

(58) **Field of Classification Search**
USPC D22/100, 103, 104, 105, 108, 109, 110, D22/111, 199; D21/567, 573, 574, 575
CPC F41C 23/04; F41C 23/08; F41C 23/16; F41G 1/02; F41G 1/027; F41G 1/06; F41A 17/46; F41A 19/11
See application file for complete search history.

(56) **References Cited**

U.S. PATENT DOCUMENTS

D273,316 S	4/1984	Lambert	
D366,514 S	1/1996	Hochstrate	
6,981,344 B2 *	1/2006	Cahill	F41C 23/10
			42/71.01
D639,889 S *	6/2011	Troy, Jr.	D22/108
8,151,504 B1	4/2012	Aiston	
D667,916 S	9/2012	Mayberry	
D680,611 S *	4/2013	Emde	D22/103
D692,517 S	10/2013	Faifer	
D706,377 S *	6/2014	Zayatz	D22/108
D722,125 S *	2/2015	Zayatz	D22/108
D732,135 S *	6/2015	Webber	D22/108
D733,829 S *	7/2015	Chvala	D22/108

D733,830 S *	7/2015	Chvala	D22/108
D735,832 S *	8/2015	Fitzpatrick	D22/108
D740,910 S *	10/2015	Hines	D22/108
D769,398 S *	10/2016	Lam	D22/108
D774,156 S	12/2016	Esch	
D792,935 S *	7/2017	Ward, Jr.	D22/108
D819,765 S *	6/2018	Kafka	D22/103

(Continued)

OTHER PUBLICATIONS

“Aimsports Pjakg Ak Pistol Grip” [online]. bellmtcs.com. [Retrieved on Oct. 16, 2019]. Retrieved from the Internet: <<https://www.bellmtcs.com/aimsports-pjakg-ak-pistol-grip>>.*

(Continued)

Primary Examiner — Khawaja Anwar
Assistant Examiner — Mojtaba Tehrani

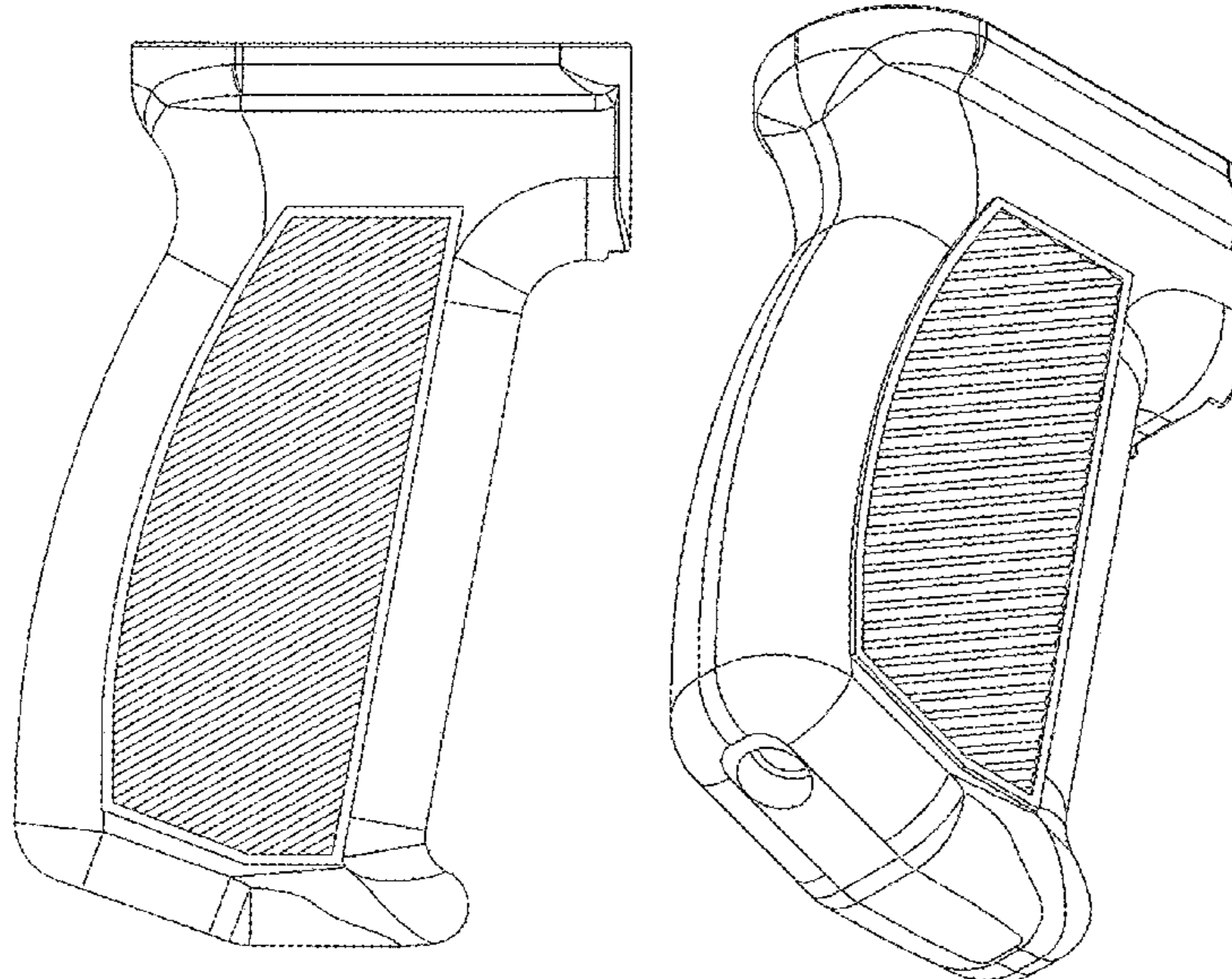
(57) **CLAIM**

The ornamental design for a firearm grip, as shown and described.

DESCRIPTION

FIG. 1 is a right-side elevation view of a firearm grip, showing my new design, in an environment of use; FIG. 2 is a right-side elevation view thereof; the left-side elevation view being a minor image thereof; FIG. 3 is a front elevation view thereof; FIG. 4 is a rear elevation view thereof; FIG. 5 is a top plan view thereof; FIG. 6 is a bottom plan view thereof; FIG. 7 is a rear, bottom, right perspective view thereof; and, FIG. 8 is a front, bottom, right perspective view thereof. The broken lines shown depict the unclaimed environment in figure 1 and depict the unclaimed portion of the firearm grip in the remaining figures. The broken lines are for illustrative purposes and represent no part of the claimed design.

1 Claim, 6 Drawing Sheets



(56)

References Cited

U.S. PATENT DOCUMENTS

2007/0271834 A1* 11/2007 Keng F41G 11/003
42/124
2012/0255209 A1* 10/2012 Klassen F41A 9/71
42/6
2013/0125442 A1* 5/2013 Burress, Jr. F41C 23/16
42/71.01

OTHER PUBLICATIONS

“Pistol Grip AK-47 Milled and Stamped Receivers Ambi Safety Metal Insert Reinforced Polymer Matte Plum” [online]. k-var.com. [Retrieved on Oct. 16, 2019]. Retrieved from the Internet: <<https://www.k-var.com/pistol-grip-thicker-ergonomic-design-with-cut-out-for-ambidextrous-safety-lever-plum-us-made>>.*

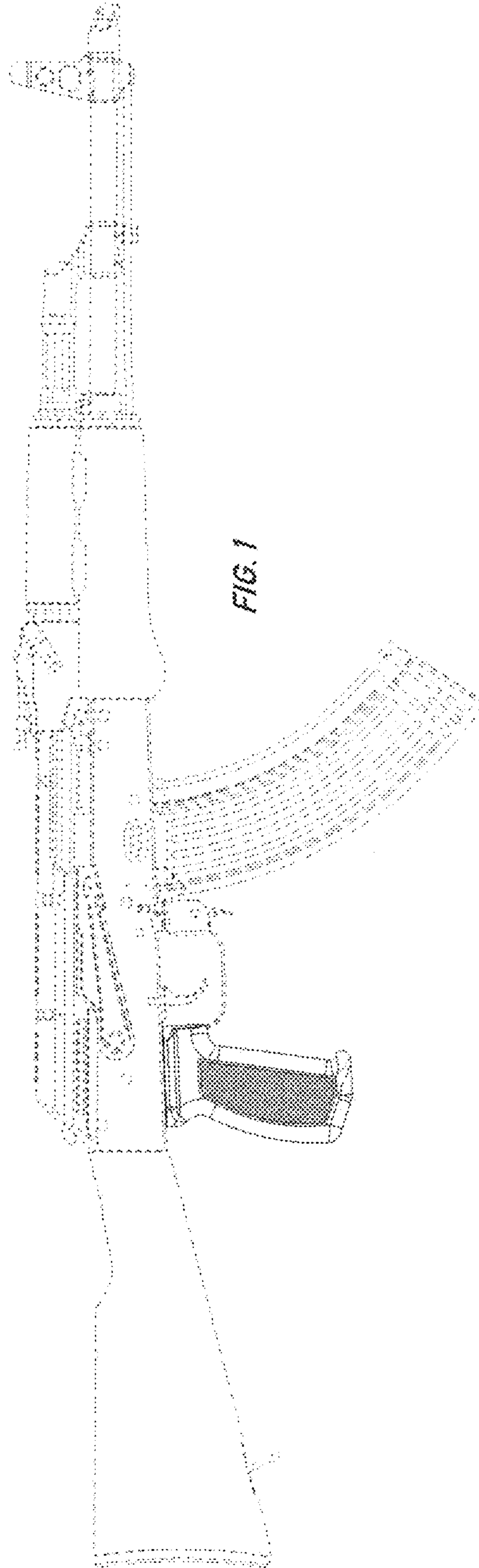
“Zenitco AK Pistol Grip PK-3” [online]. legionusa.com. [Retrieved on Feb. 16, 2019]. Retrieved from the Internet: <<https://www.legionusa.com/zenitco-pistol-grip.html>>.

“G47 Pistol Grip AK47 AK74” [online]. CAAGearup.com. [Retrieved on Feb. 16, 2019]. Retrieved from the Internet: <<https://caagearup.com/product/g47-pistol-grip-ak47-ak74/>>.

“X1 AK-47 Grip” [online]. ATIOutdoors.com. [Retrieved on Feb. 16, 2019]. Retrieved from the Internet: <<https://www.atioutdoors.com/rifles/ak-47/grips/ak-47-x1-grip>>.

“BG-AKOE Battlegrip” [online]. tangodown.com. [Retrieved on Feb. 18, 2019]. Retrieved from the Internet: <<https://tangodown.com/bg-akoe-battlegrip/>>.

* cited by examiner



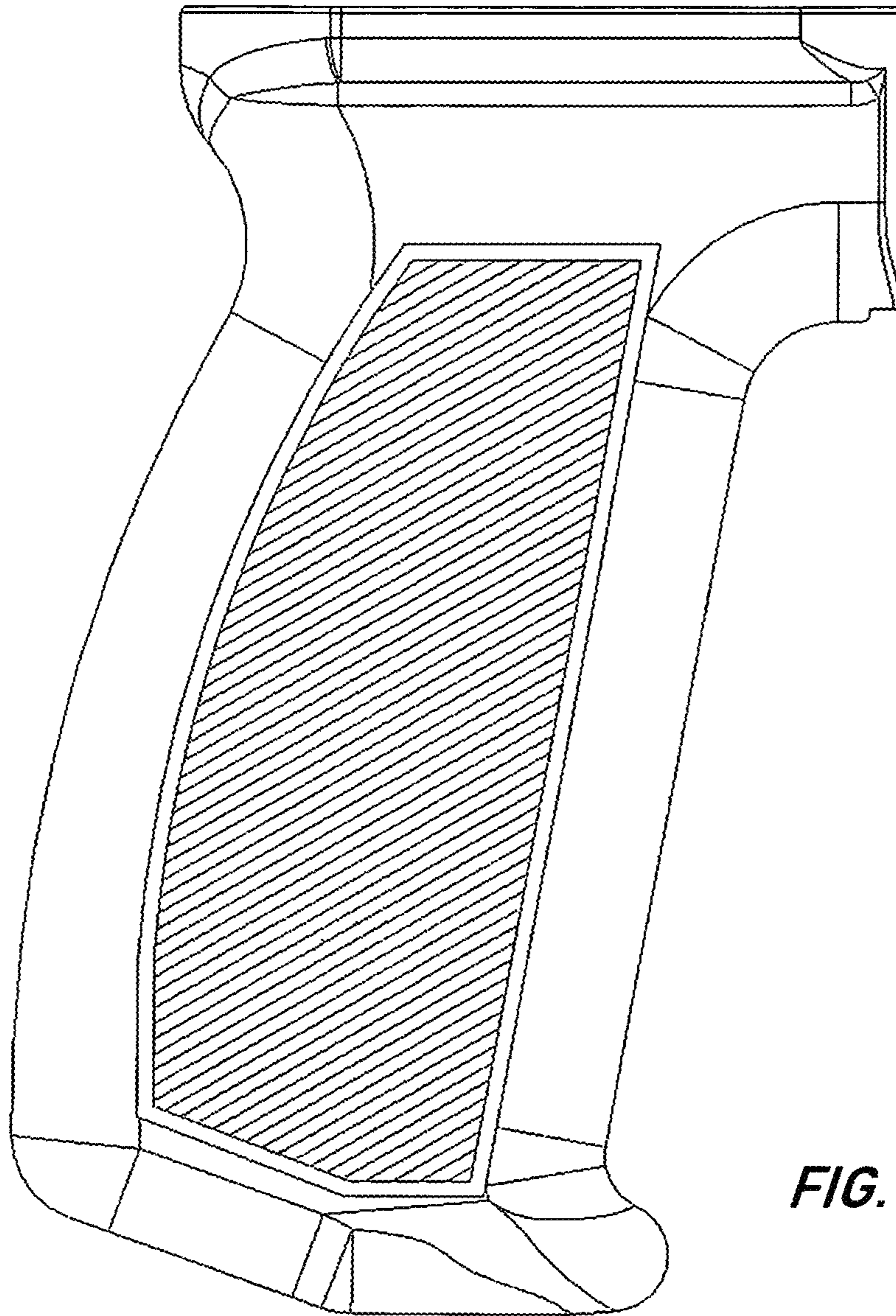


FIG. 2

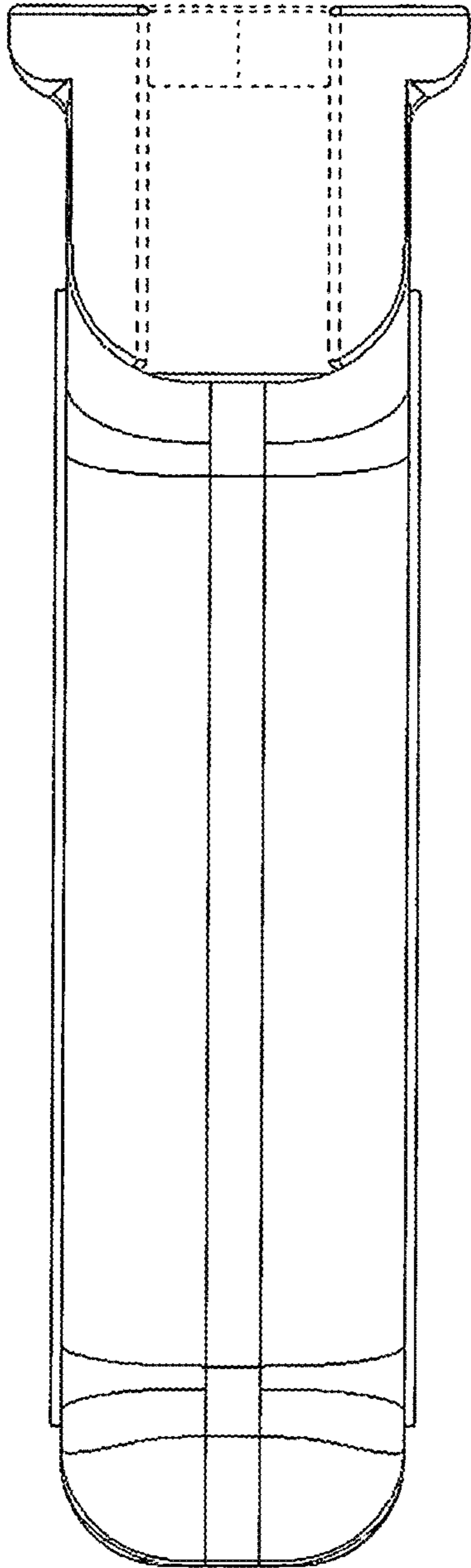


FIG. 3

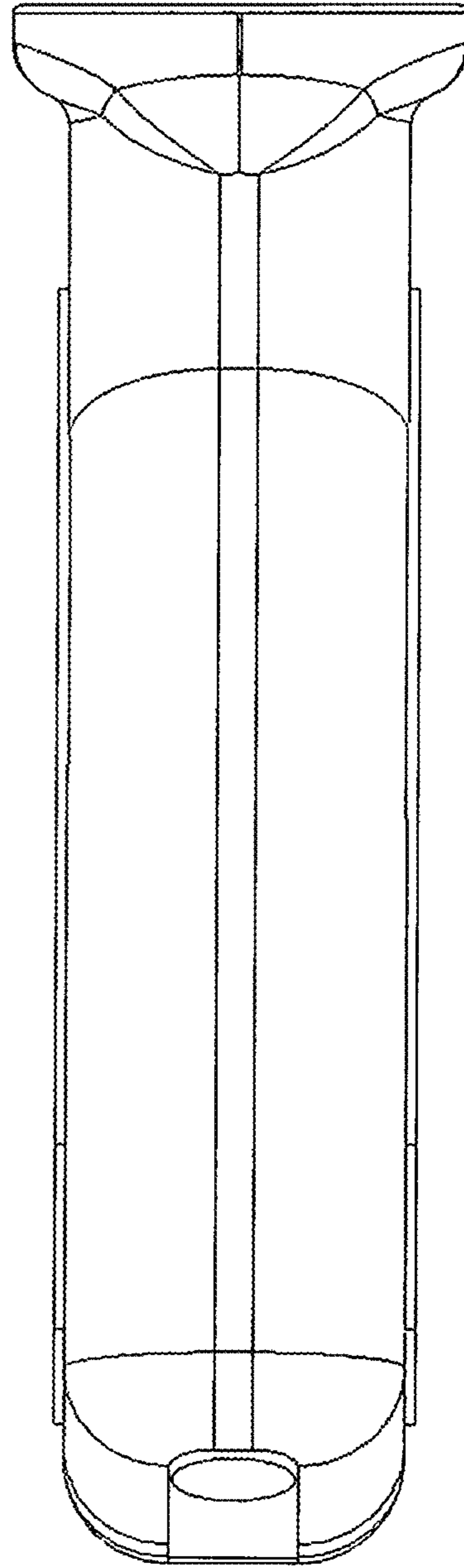


FIG. 4

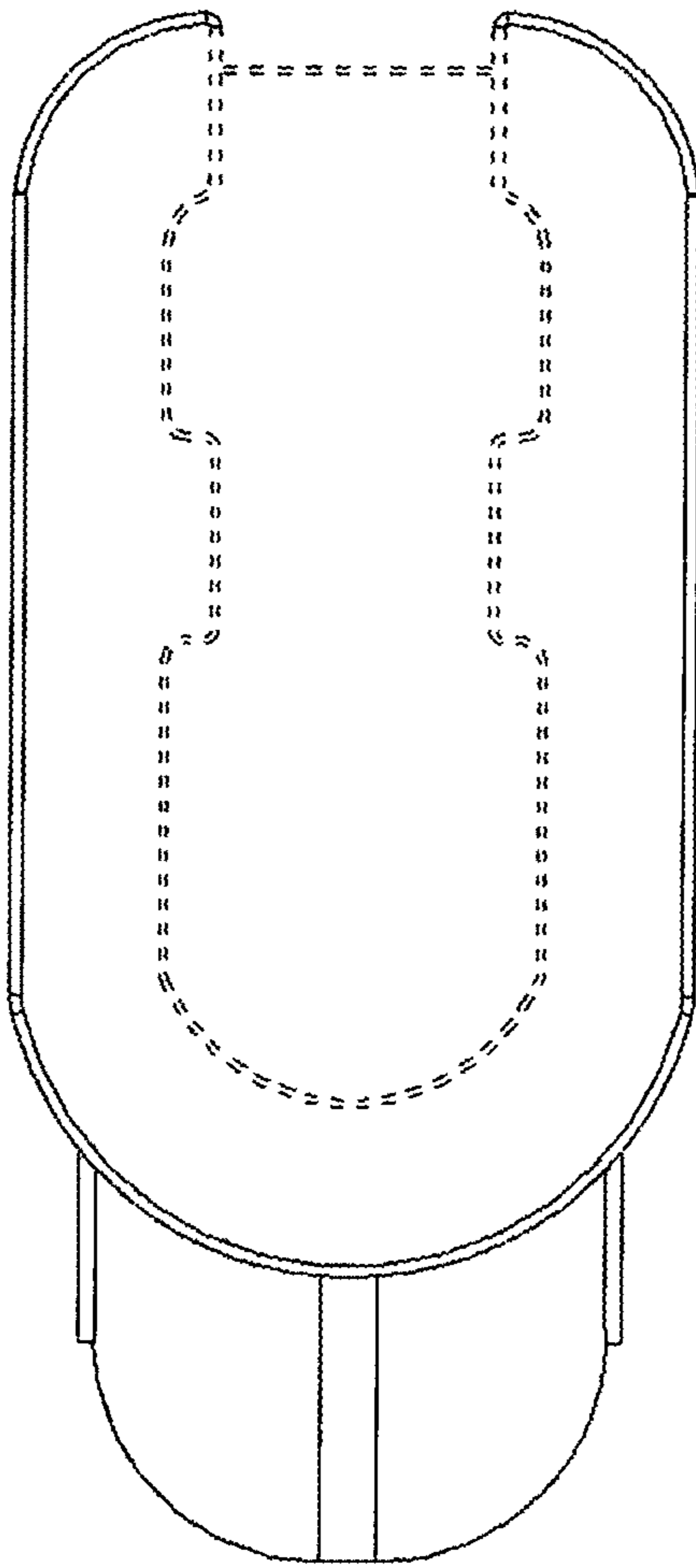


FIG. 5

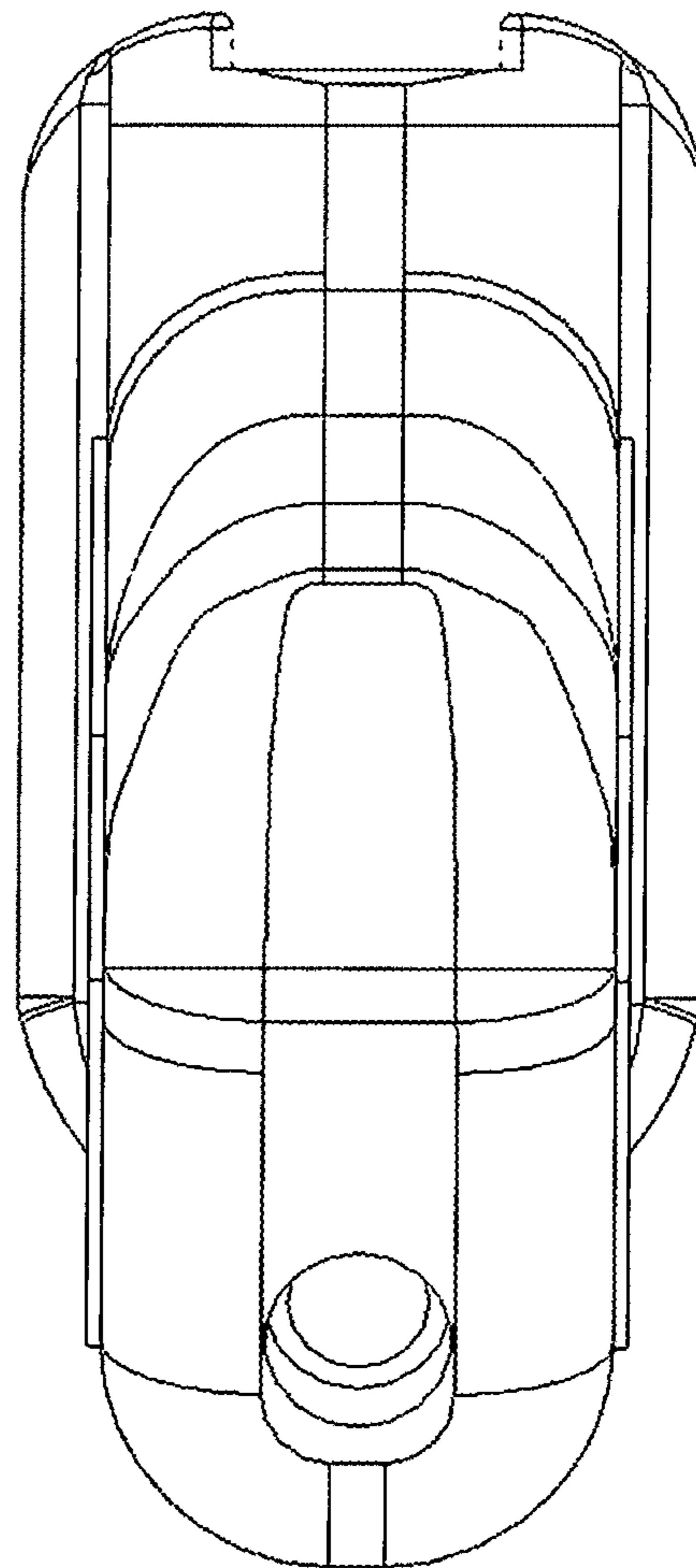


FIG. 6

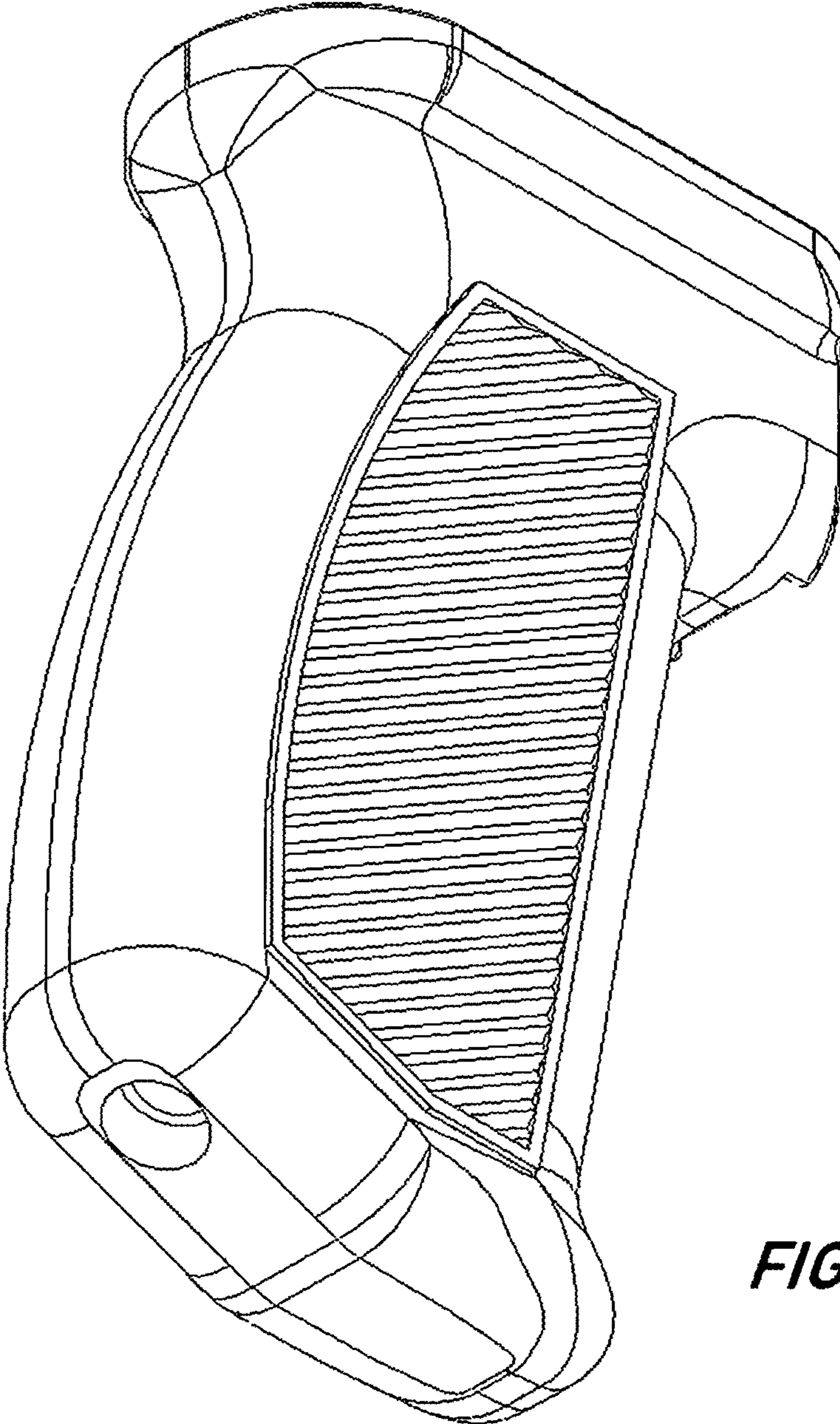


FIG. 7

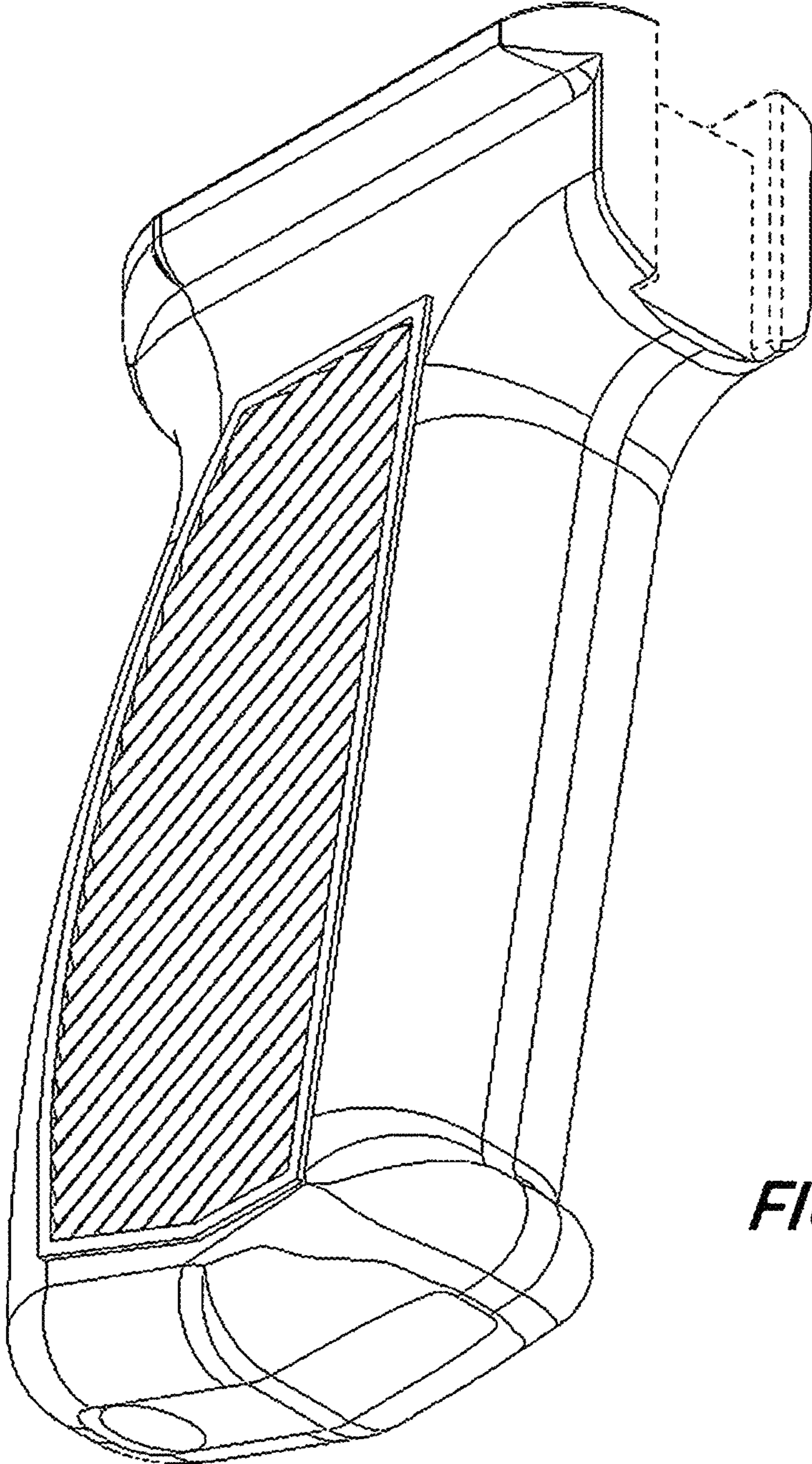


FIG. 8