



US00D881312S

(12) **United States Design Patent**
Hansen et al.

(10) **Patent No.:** **US D881,312 S**
(45) **Date of Patent:** **** Apr. 14, 2020**

(54) **SHOULDER MOUNT RIFLE SLING HOLDER**

(71) Applicants: **Janice B. Hansen**, Salt Lake City, UT (US); **Devon C. Hansen**, Salt Lake City, UT (US)

(72) Inventors: **Janice B. Hansen**, Salt Lake City, UT (US); **Devon C. Hansen**, Salt Lake City, UT (US)

(**) Term: **15 Years**

(21) Appl. No.: **29/608,908**

(22) Filed: **Jun. 27, 2017**

(51) **LOC (12) Cl.** **22-01**

(52) **U.S. Cl.**
USPC **D22/108**

(58) **Field of Classification Search**
USPC D22/106, 108, 109, 110, 199; D3/221; 224/149, 231, 223, 270, 666, 677, 682, 224/911, 913; D8/68, 356, 367
CPC A45F 5/00; A45F 5/02; A45F 5/021; A45F 22/0591; F41C 33/0209
See application file for complete search history.

D378,954 S 4/1997 Daigle
5,642,584 A 7/1997 Riegenbach
5,642,847 A 7/1997 DeMeo et al.
5,669,170 A 9/1997 Norris
6,119,907 A 9/2000 Benjamin
6,134,823 A 10/2000 Griffin
6,152,338 A 11/2000 Smith
RE37,111 E 3/2001 Barron
6,260,748 B1 * 7/2001 Lindsey F41C 33/001 224/150

6,363,532 B1 4/2002 Miller et al.
7,082,709 B2 8/2006 Lindsey
7,841,496 B1 11/2010 Schweikert
D636,836 S * 4/2011 Fitzpatrick D22/108
7,959,046 B2 6/2011 Burnsed et al.
7,988,023 B1 8/2011 Nykoluk
8,166,694 B2 5/2012 Swan
D664,233 S 7/2012 Heidkamp et al.

(Continued)

Primary Examiner — Rosemary K Tarcza
Assistant Examiner — Yolanda Robinson
(74) *Attorney, Agent, or Firm* — Thorpe North & Western, LLP

(57) **CLAIM**

The ornamental design for a shoulder mount rifle sling holder, as shown and described.

DESCRIPTION

FIG. 1 is a perspective top left front view of a shoulder mount rifle sling holder in accordance with the invention; FIG. 2 is a perspective bottom right back view thereof; FIG. 3 is a front view thereof; FIG. 4 is a back view thereof; FIG. 5 is a top side view thereof; FIG. 6 is a bottom view thereof; FIG. 7 is a right view thereof; and, FIG. 8 is a left view thereof.

The surface indicia of parallel lines also form no part of the claimed design and are merely contour shading.

1 Claim, 4 Drawing Sheets

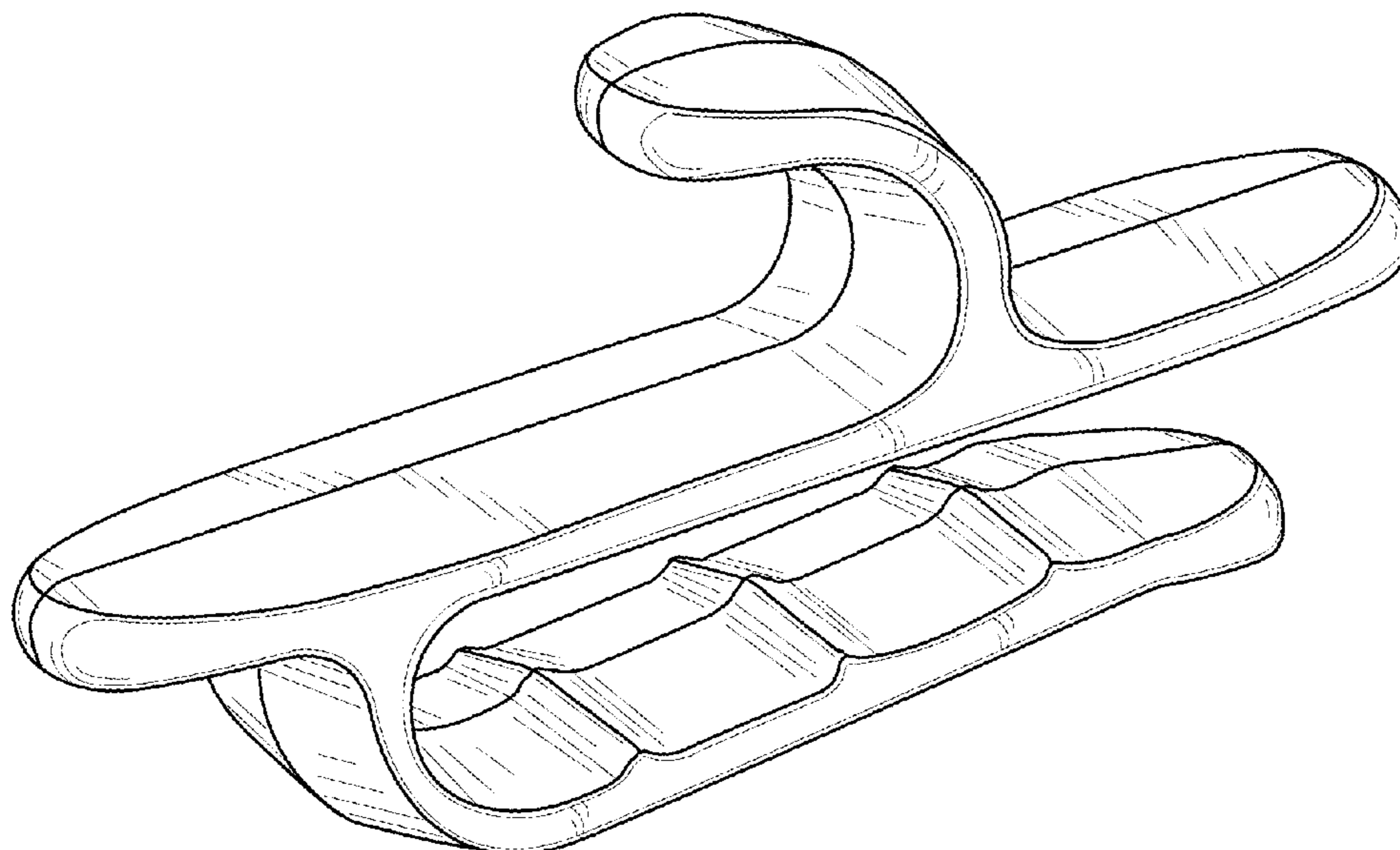
(56) **References Cited**

U.S. PATENT DOCUMENTS

4,431,122 A 2/1984 Garmong
4,542,840 A * 9/1985 Pepper, Sr. F41C 33/001 224/150

4,555,051 A 11/1985 Johnson
4,613,067 A 9/1986 Gann
4,691,852 A 9/1987 Phelps
4,768,689 A 9/1988 Davis
4,964,553 A * 10/1990 Glynn F41C 33/003 224/149

5,323,940 A 6/1994 Hart
5,325,618 A 7/1994 Turner
5,433,360 A 7/1995 Rock
5,513,785 A 5/1996 Campagna



(56)

References Cited

U.S. PATENT DOCUMENTS

8,210,405	B1	7/2012	Pritchard	
8,474,891	B2 *	7/2013	Shields A45F 5/021 224/269
8,984,791	B1 *	3/2015	Leslie F41C 23/04 42/71.01
D781,577	S *	3/2017	Hansen D3/221
10,040,388	B1 *	8/2018	Begyn F16B 45/00
10,495,135	B2 *	12/2019	Begyn F16B 45/00
2010/0162609	A1 *	7/2010	Rogers F41C 23/02 42/85
2010/0287808	A1 *	11/2010	King F41C 23/02 42/85

* cited by examiner

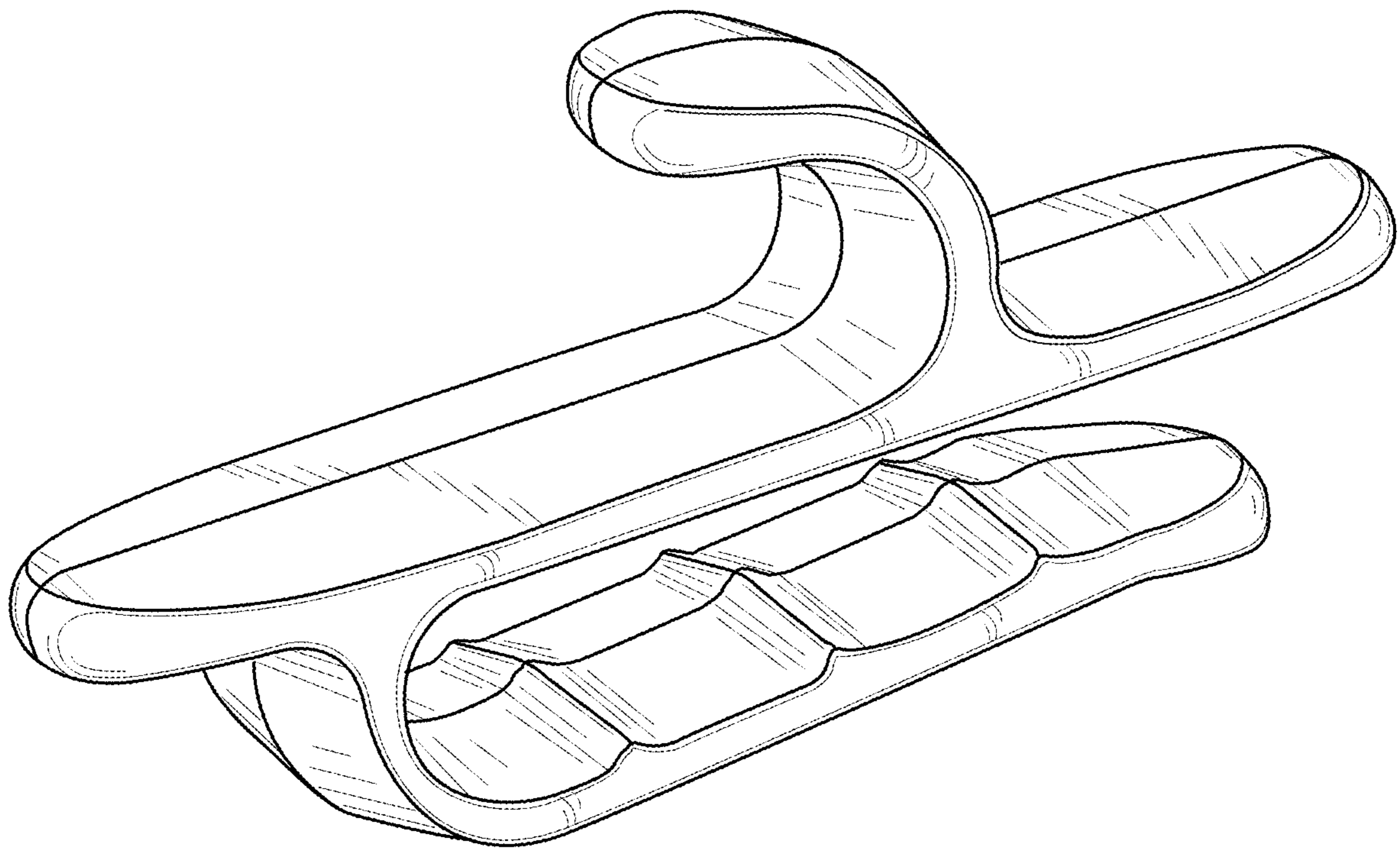


FIG. 1

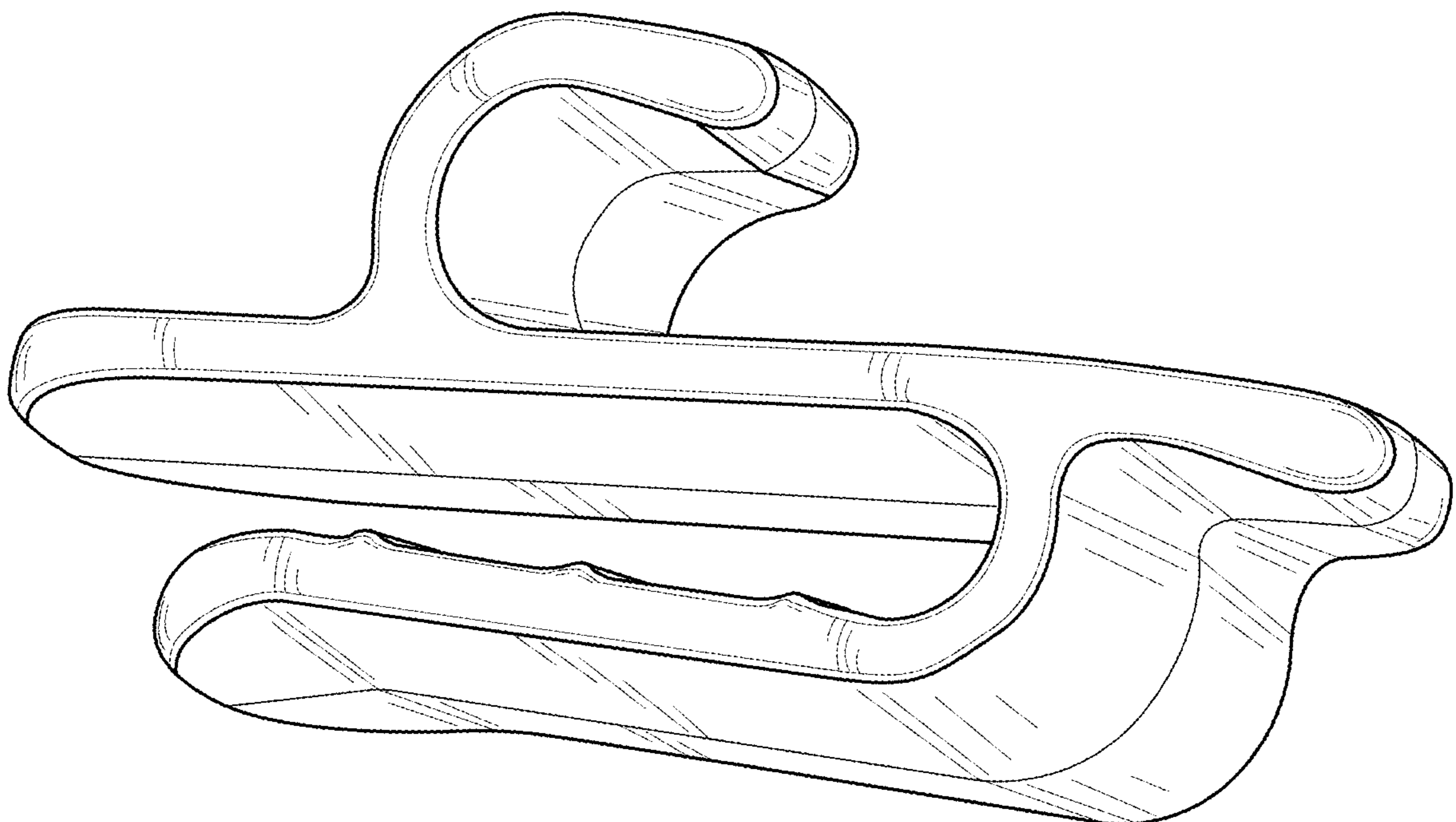


FIG. 2

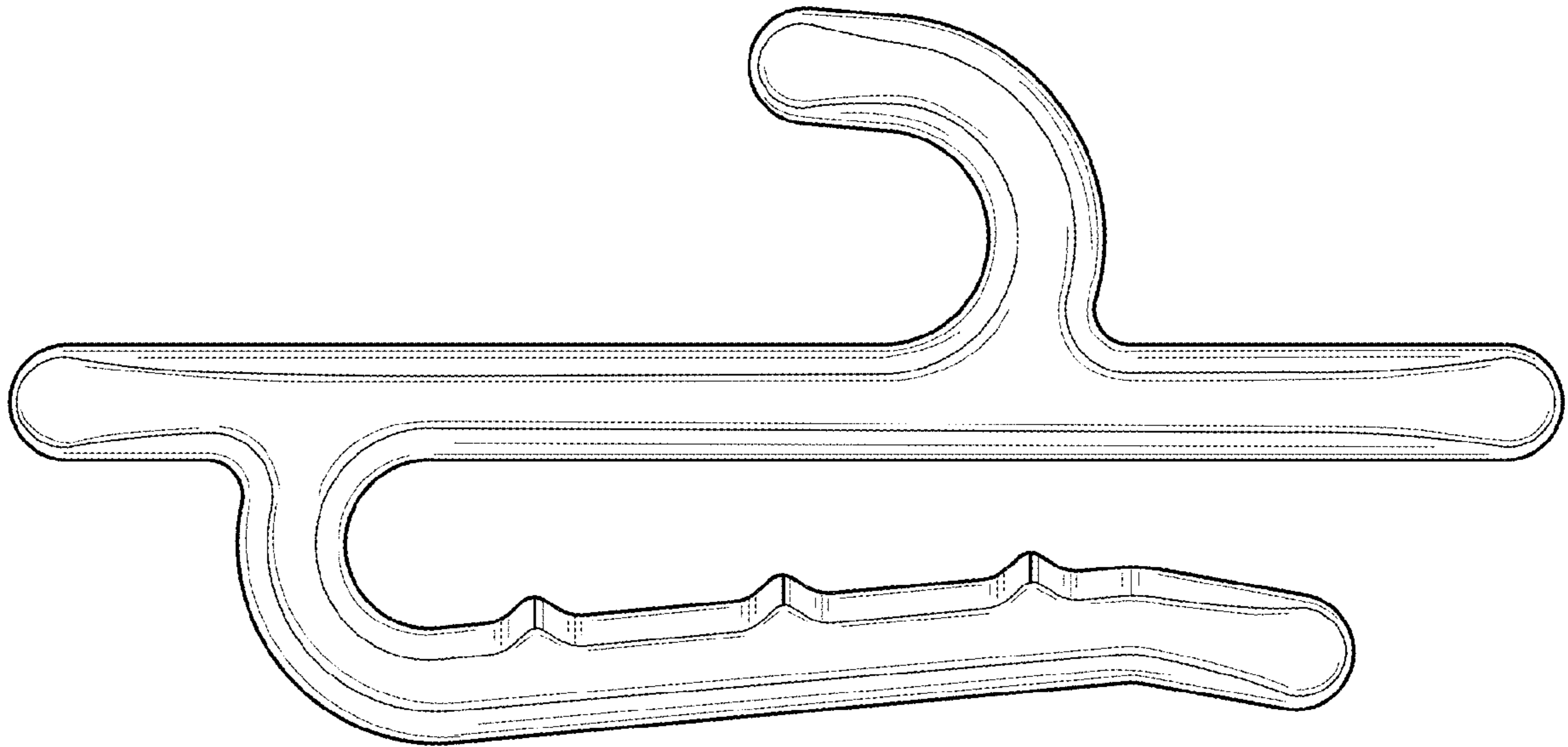


FIG. 3

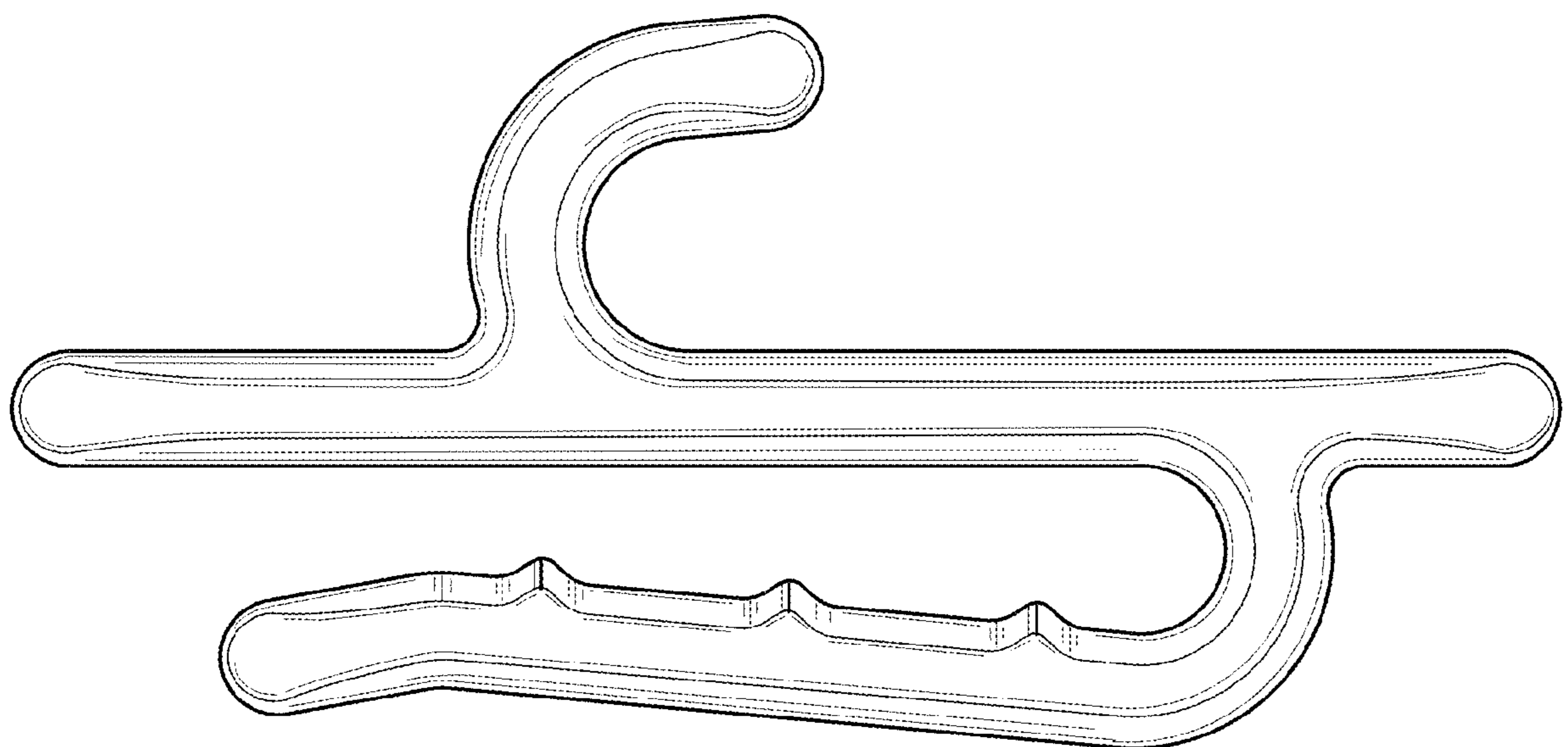


FIG. 4

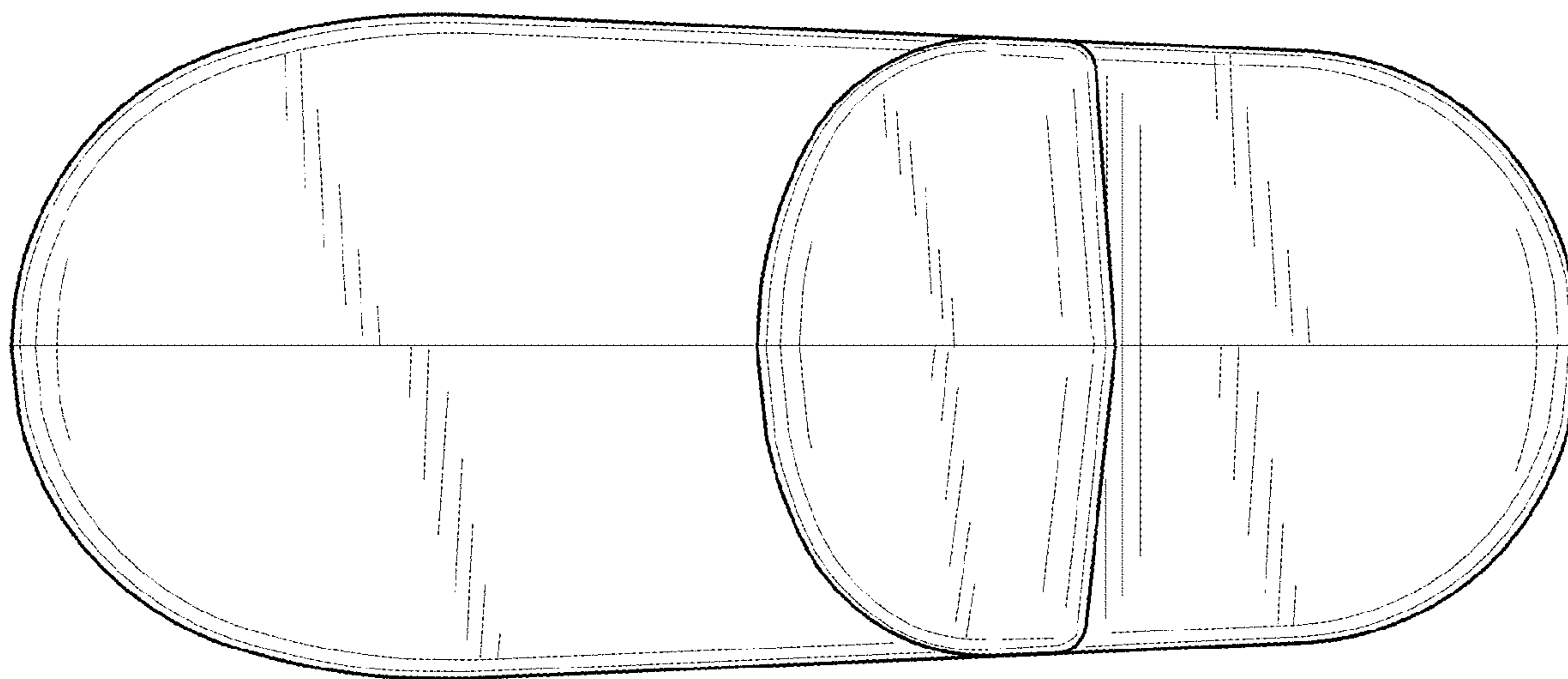


FIG. 5

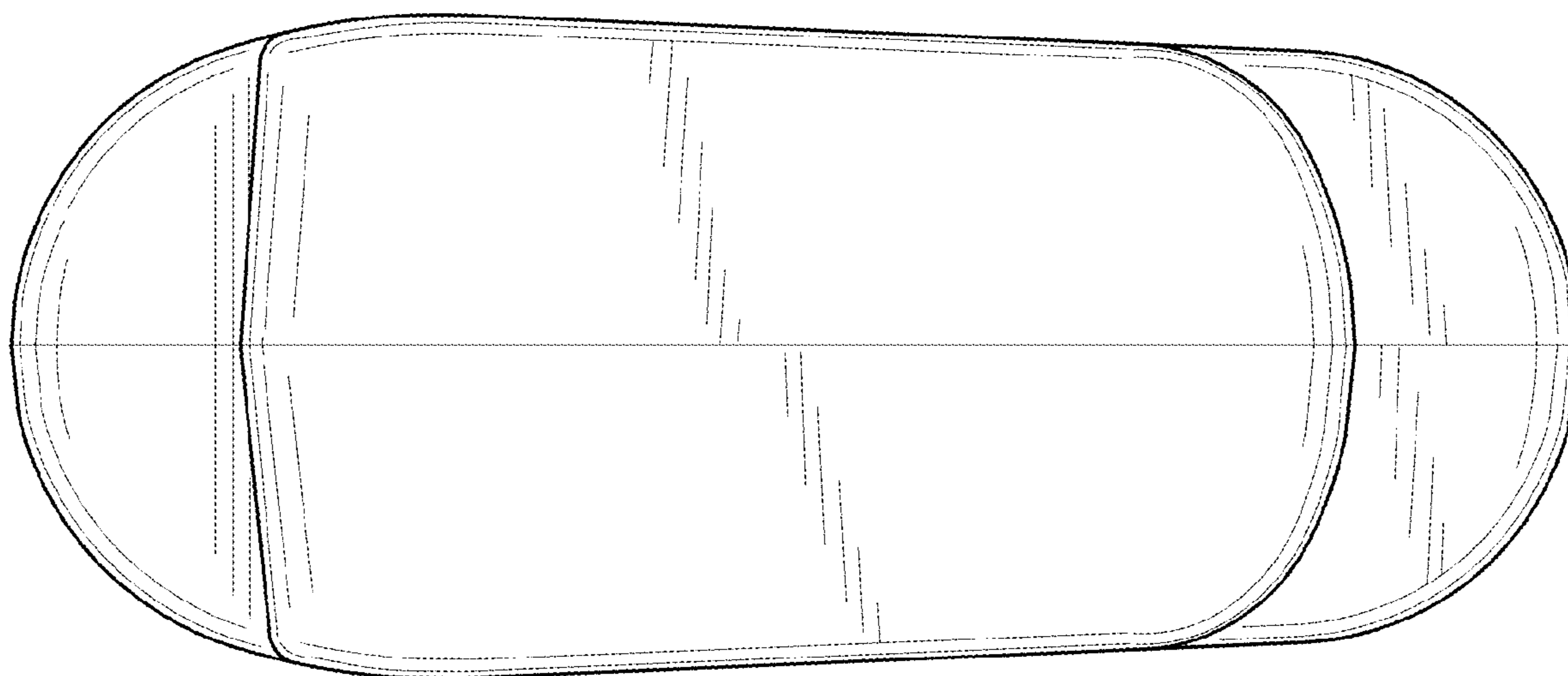


FIG. 6

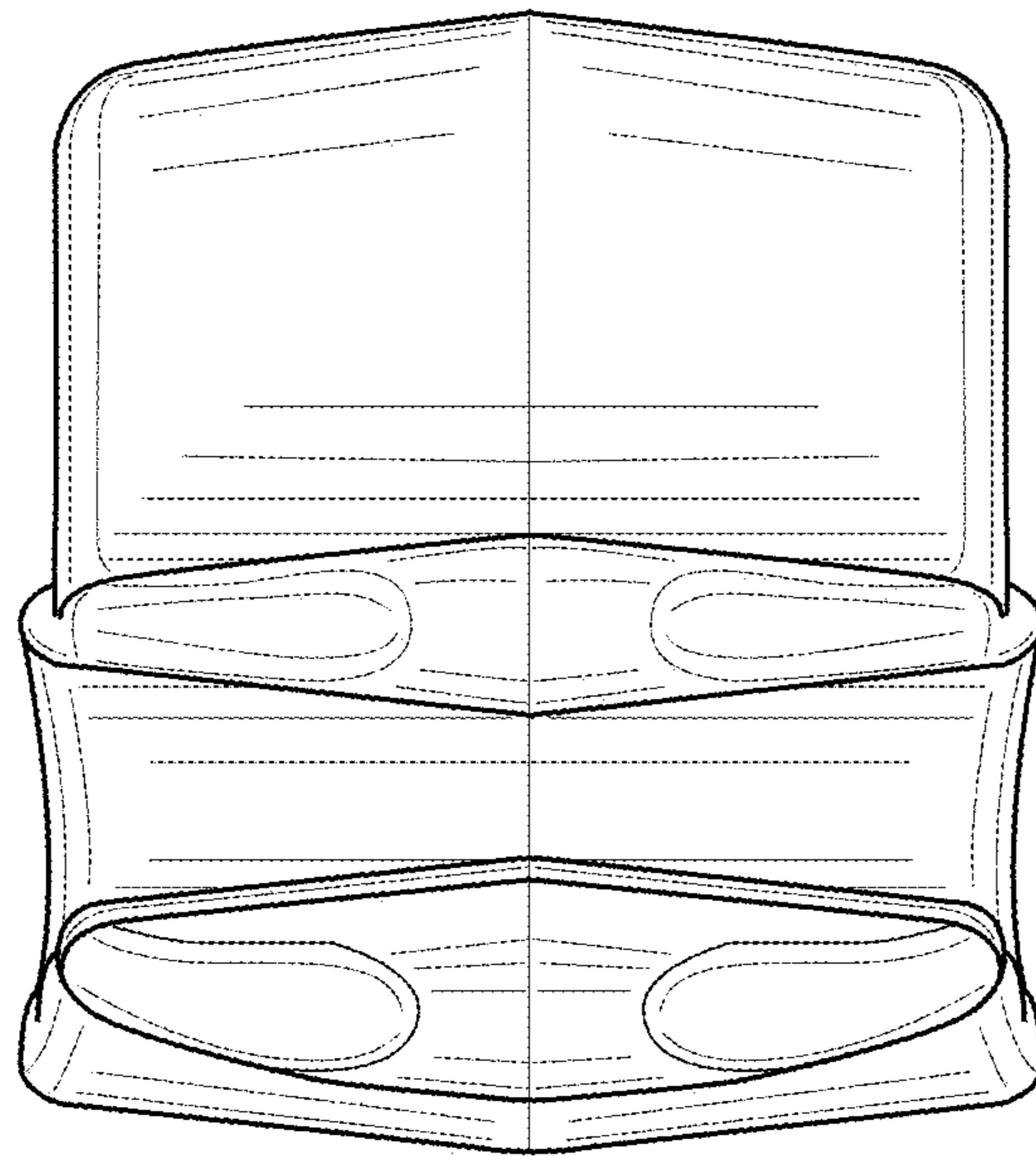


FIG. 7

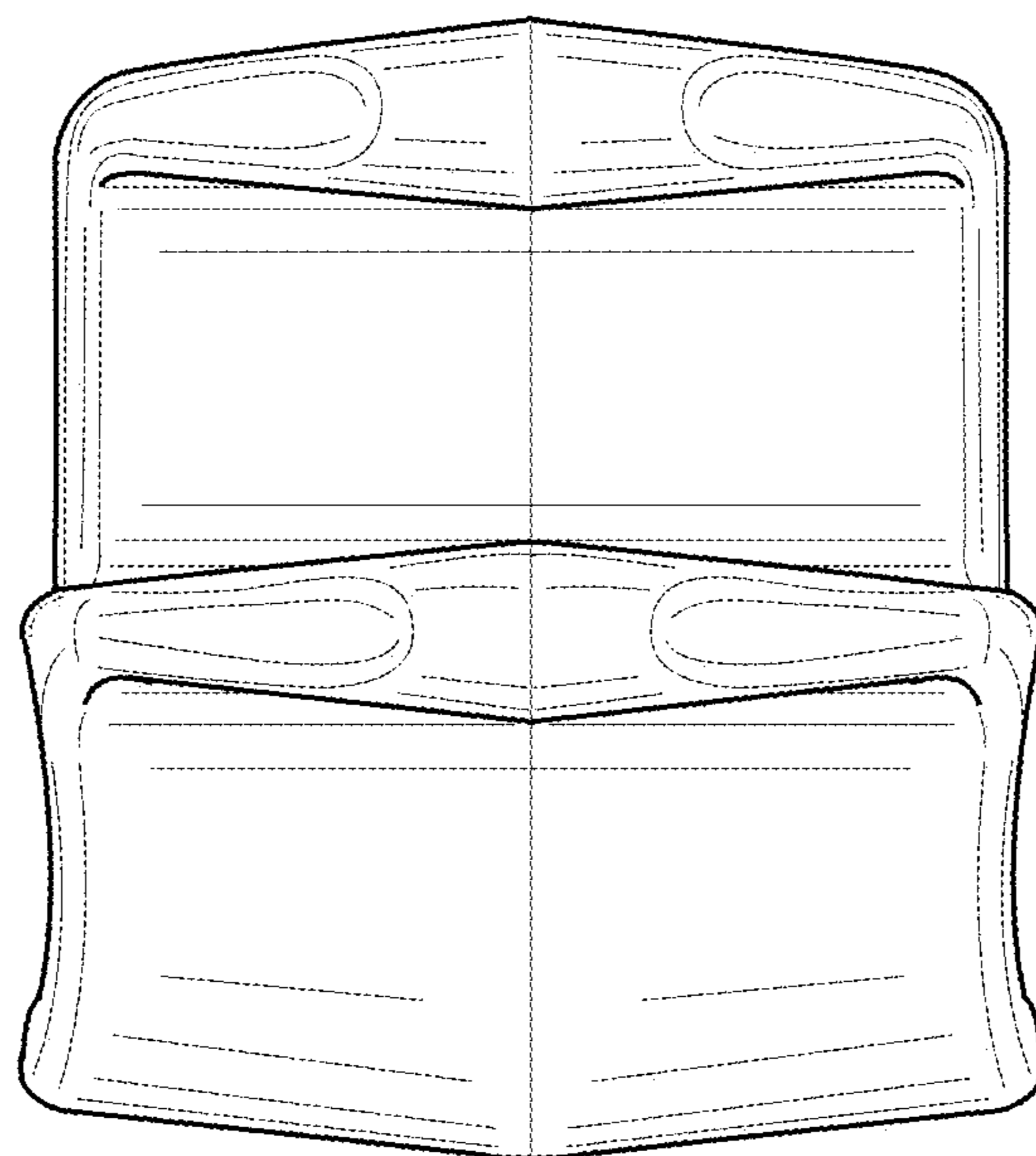


FIG. 8