



US00D881311S

(12) **United States Design Patent**  
**Swaims**

(10) **Patent No.:** **US D881,311 S**  
(45) **Date of Patent:** **\*\* Apr. 14, 2020**

- (54) **CONSOLE FOR PROVIDING VIRTUAL REALITY ENVIRONMENTS**
- (71) Applicant: **Chaparral Boats, Inc.**, Nashville, GA (US)
- (72) Inventor: **Ryan Swaims**, Valdosta, GA (US)
- (73) Assignee: **CHAPARRAL BOATS, INC.**, Nashville, GA (US)
- (\*\*) Term: **15 Years**
- (21) Appl. No.: **29/668,783**
- (22) Filed: **Nov. 1, 2018**
- (51) **LOC (12) Cl.** ..... **21-03**
- (52) **U.S. Cl.**  
USPC ..... **D21/833**
- (58) **Field of Classification Search**  
USPC ..... D21/811, 814, 828-833, 548-551;  
D12/82, 83, 86, 107-110  
CPC ..... A63F 13/00; A63F 13/90-13/98; A63F  
13/80-13/847; A63F 13/20-13/245  
See application file for complete search history.

- D285,330 S \* 8/1986 Okamoto ..... D21/833
- D338,051 S \* 8/1993 Holmes ..... D21/828
- D347,528 S \* 6/1994 Lee ..... D21/433
- D348,085 S \* 6/1994 Ballew ..... D21/833
- D348,288 S \* 6/1994 Ballew ..... D21/433
- D348,289 S \* 6/1994 Ballew ..... D21/833
- D366,513 S \* 1/1996 Crowe ..... D12/307
- D376,186 S \* 12/1996 Penney ..... D21/814
- D382,324 S \* 8/1997 Shinzato ..... D21/833
- D382,620 S \* 8/1997 Callan ..... D21/833
- 5,951,018 A \* 9/1999 Mamitsu ..... G09B 9/02  
273/442
- 6,083,106 A \* 7/2000 McDowell ..... A63F 13/02  
463/46
- 6,142,877 A \* 11/2000 Nishimura ..... A63F 13/08  
463/46
- 6,315,358 B1 \* 11/2001 Baru ..... A47B 21/00  
297/170
- D529,119 S \* 9/2006 Zamperla ..... D21/833
- D537,899 S \* 3/2007 Zamperla ..... D21/833
- D550,802 S \* 9/2007 Zamperla ..... D21/833
- D552,704 S \* 10/2007 Zamperla ..... D21/833

(Continued)

*Primary Examiner* — Mitchell I. Siegel

(57) **CLAIM**

The ornamental design for a console for providing virtual reality environments, as shown and described.

**DESCRIPTION**

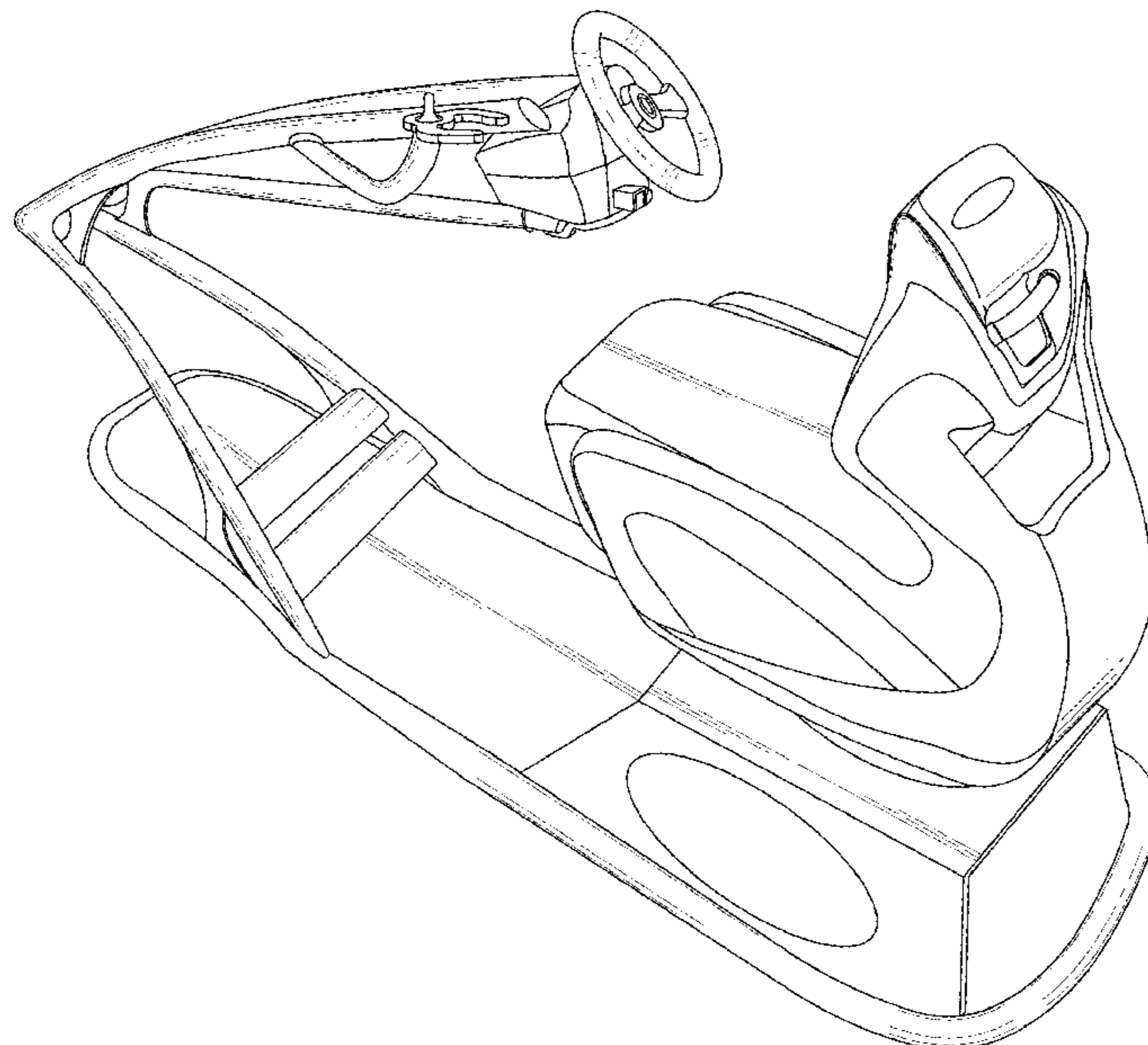
FIG. 1 is a perspective view of a console for providing virtual reality environments showing my new design; FIG. 2 is a perspective view of a console for providing virtual reality environments showing my new design; FIG. 3 is a right side view thereof; FIG. 4 is a top view thereof; FIG. 5 is a left side view thereof; FIG. 6 is a bottom view thereof; FIG. 7 is a front view thereof; and, FIG. 8 is a rear view thereof.

**1 Claim, 8 Drawing Sheets**

(56) **References Cited**

U.S. PATENT DOCUMENTS

- D189,582 S \* 1/1961 Gurr ..... D21/833
- D212,766 S \* 11/1968 Gurr ..... D21/828
- D215,313 S \* 9/1969 Gurr ..... D21/833
- D225,872 S \* 1/1973 Burke ..... D21/833
- D226,930 S \* 5/1973 Wormser ..... D21/833
- D240,843 S \* 8/1976 Zick ..... D21/833
- 3,973,332 A \* 8/1976 Slomski ..... A61B 5/18  
434/258
- D244,044 S \* 4/1977 Ahrens ..... D21/830
- D250,550 S \* 12/1978 Reverchon ..... D21/833
- D256,150 S \* 7/1980 Lofton ..... D21/833
- D267,185 S \* 12/1982 Reverchon ..... D21/833



(56)

**References Cited**

U.S. PATENT DOCUMENTS

D567,893 S \* 4/2008 Zamperla ..... D21/833  
D583,435 S \* 12/2008 Zamperla ..... D21/833  
D586,873 S \* 2/2009 Philippen ..... D21/828  
D603,476 S \* 11/2009 Norbury ..... D21/833  
D604,791 S \* 11/2009 Zamperla ..... D21/833  
7,662,042 B2 \* 2/2010 Oswald ..... A47C 15/004  
463/46  
D616,055 S \* 5/2010 Zamperla ..... D21/833  
D670,780 S \* 11/2012 Cunningham ..... D21/828  
8,876,535 B2 \* 11/2014 Fields ..... G09B 5/00  
434/64  
D825,683 S \* 8/2018 Liu ..... D21/833  
10,413,815 B2 \* 9/2019 Ergen ..... A63F 13/23  
2004/0129489 A1 \* 7/2004 Brasseal ..... B60K 17/16  
180/350  
2004/0254020 A1 \* 12/2004 Dragusin ..... A47C 7/72  
463/46  
2005/0132939 A1 \* 6/2005 McClellion ..... A63F 13/02  
108/92

\* cited by examiner

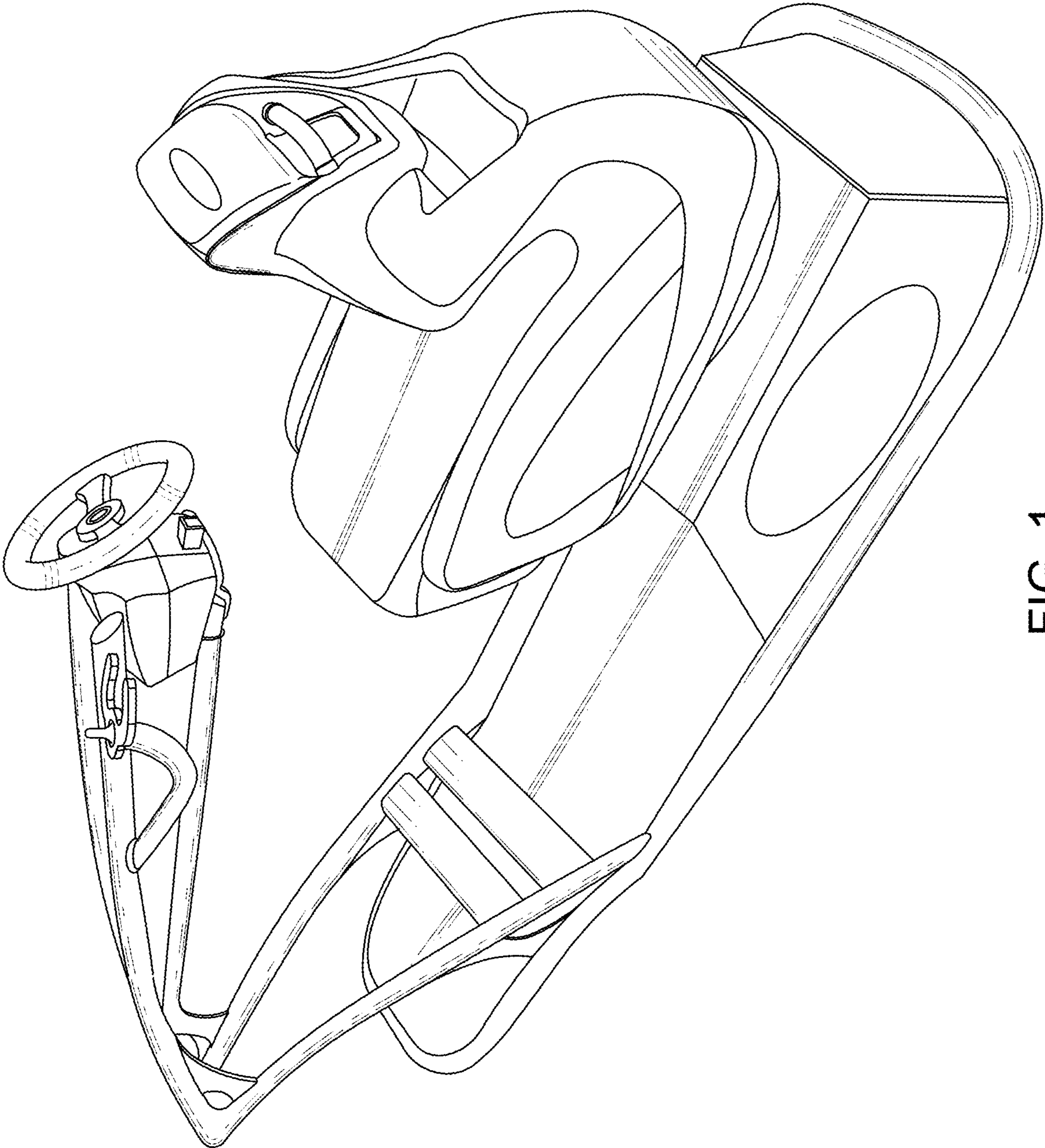


FIG. 1

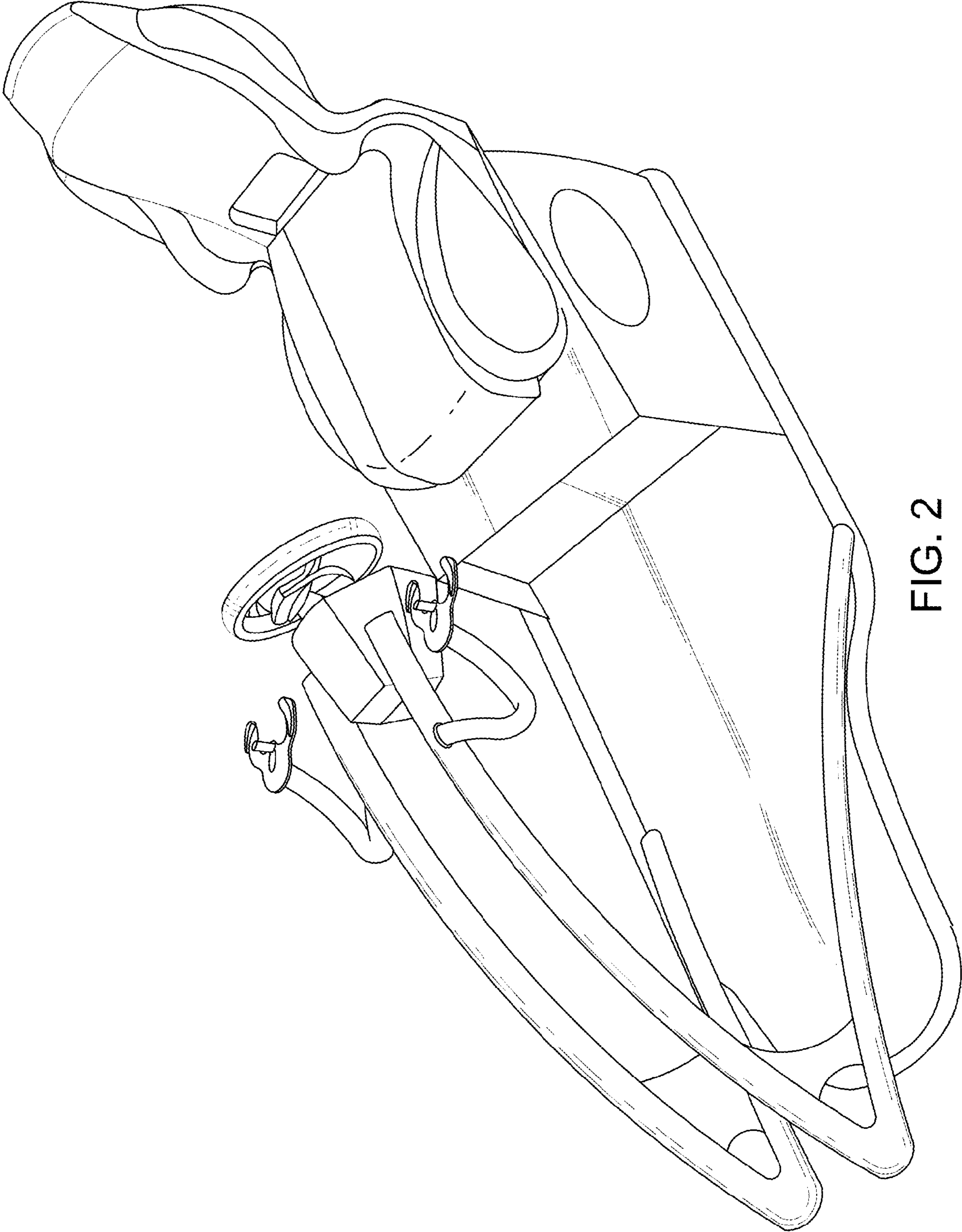


FIG. 2

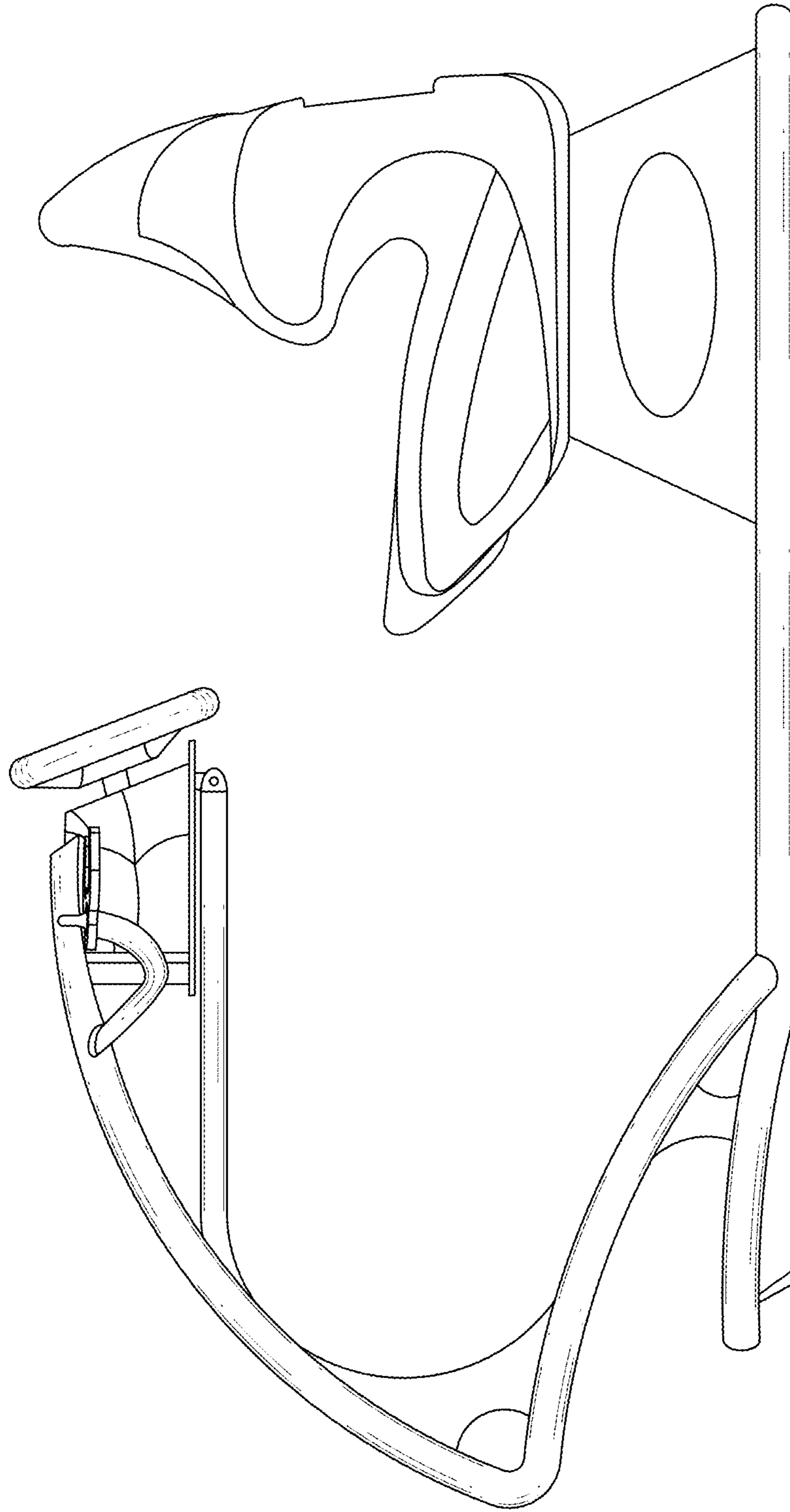


FIG. 3

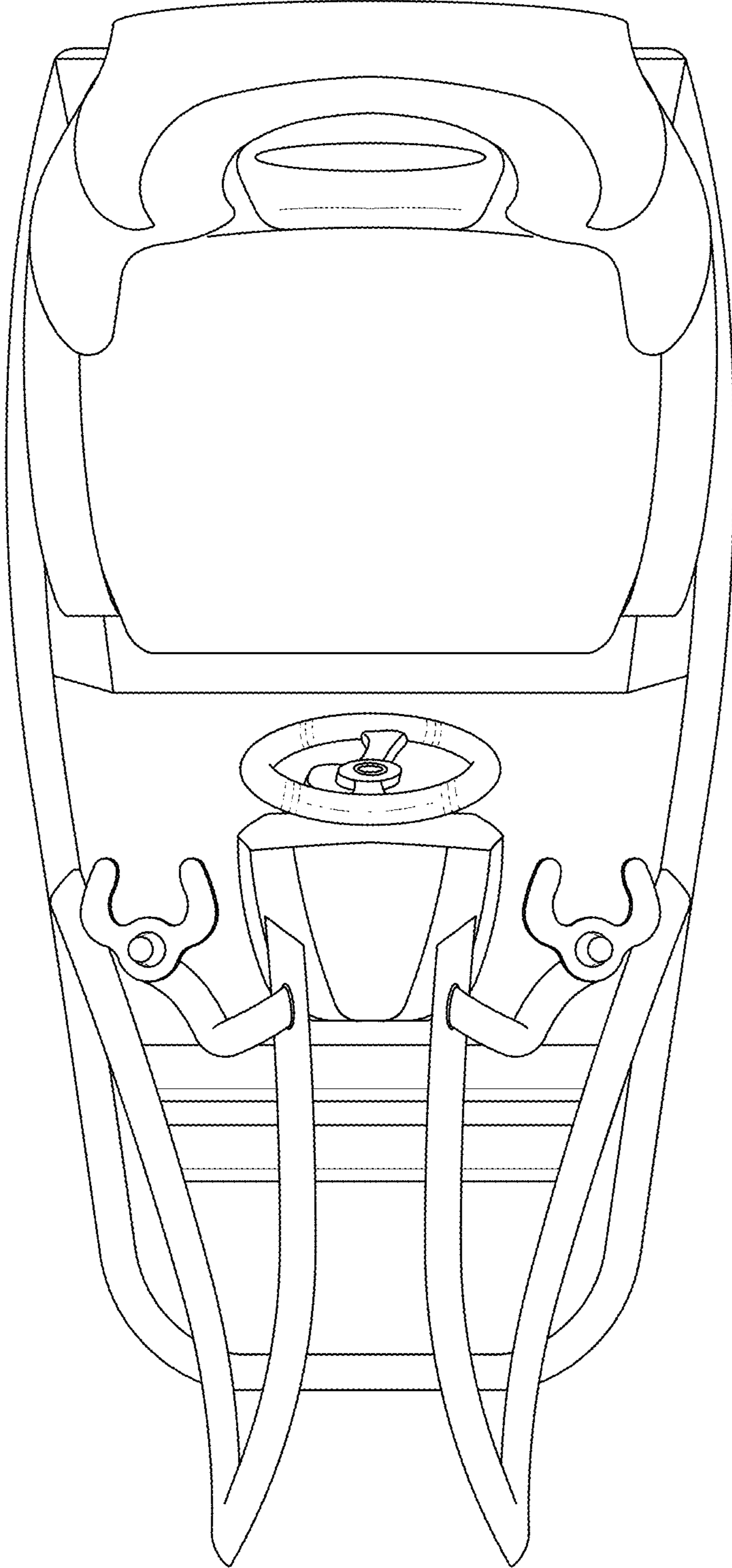


FIG. 4

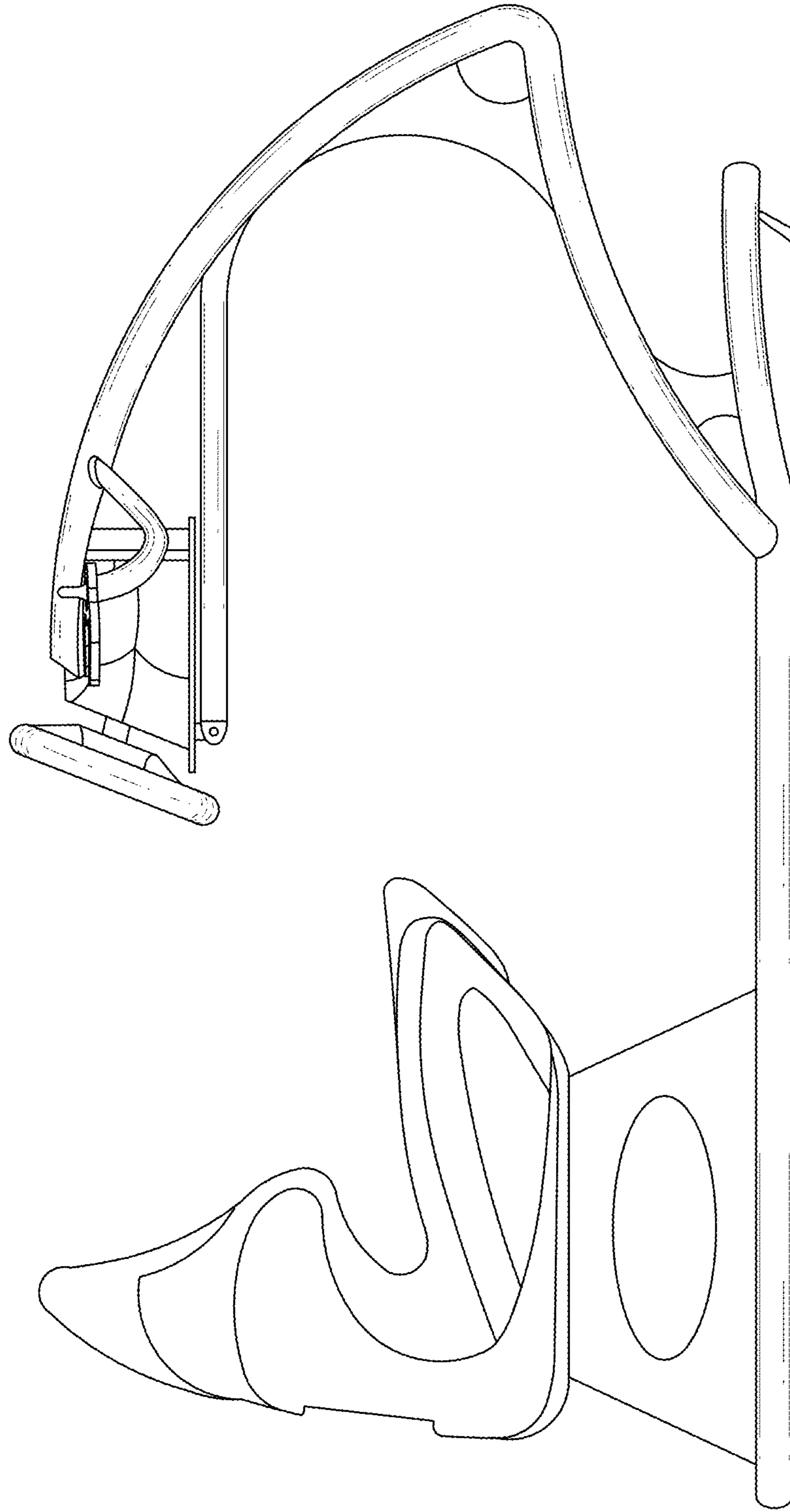


FIG. 5

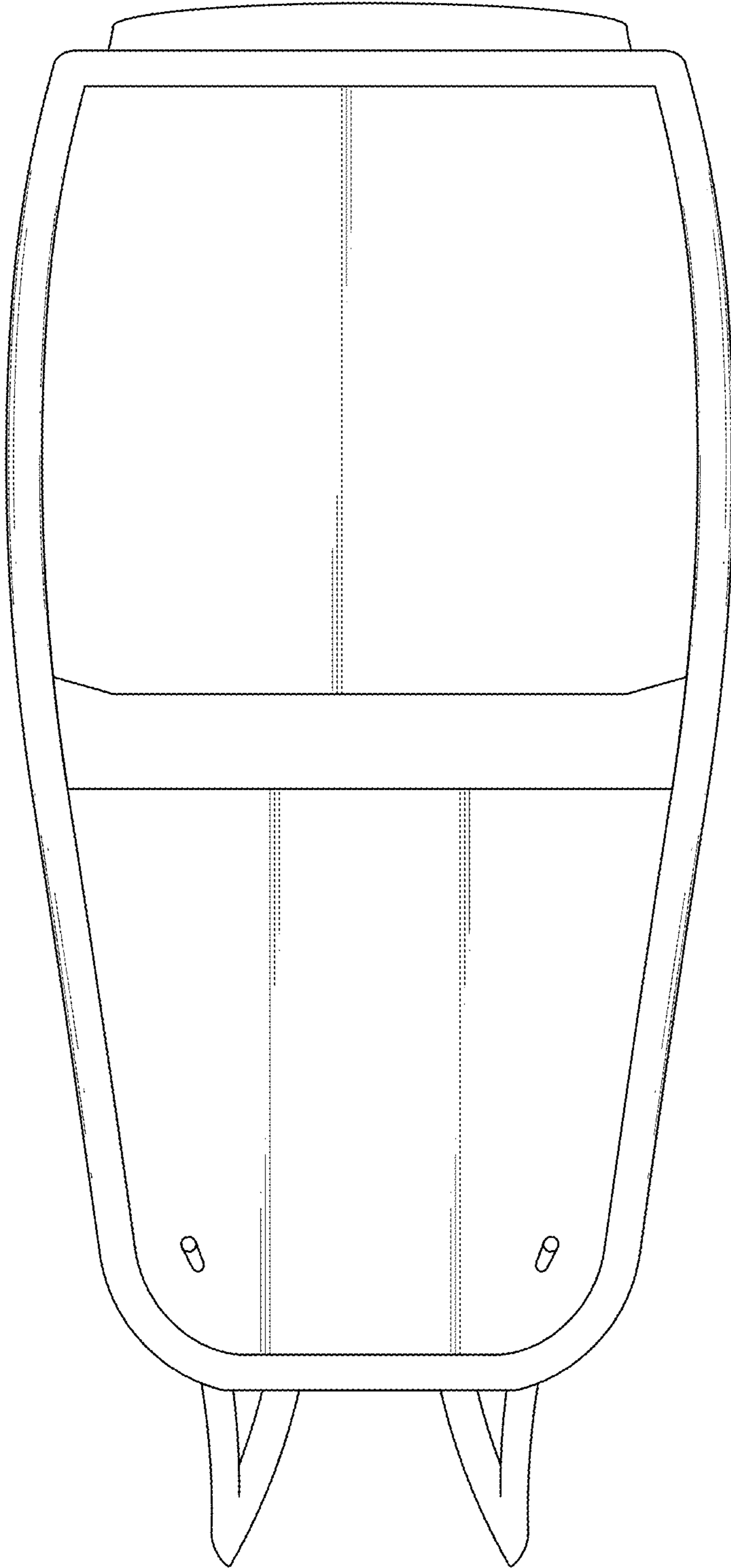


FIG. 6



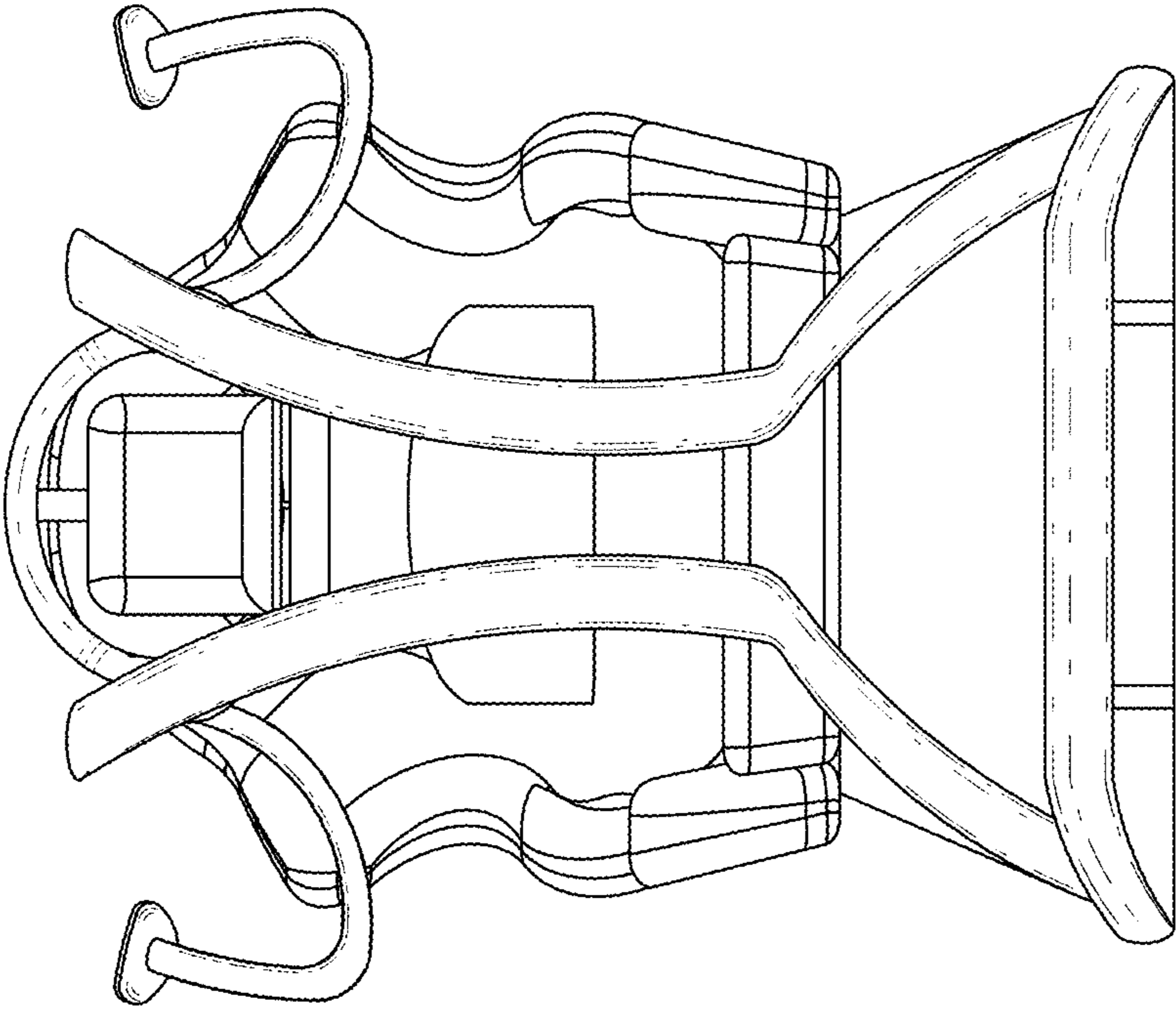


FIG. 7

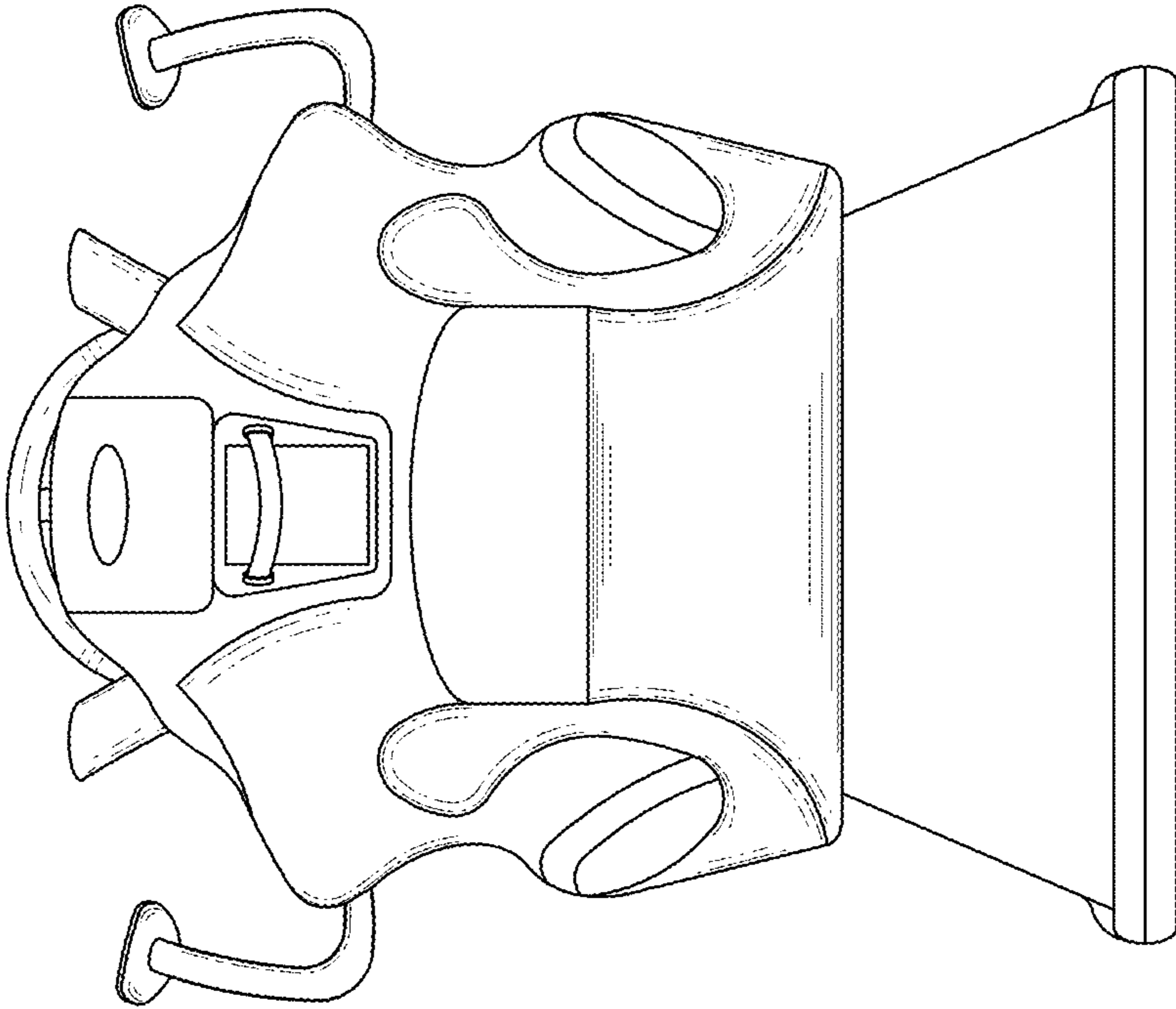


FIG. 8