



US00D881310S

(12) **United States Design Patent**
He

(10) **Patent No.:** **US D881,310 S**

(45) **Date of Patent:** **** Apr. 14, 2020**

(54) **SWIMMING SHOE**

(71) Applicant: **Jianxiong He**, Guangdong Province
(CN)

(72) Inventor: **Jianxiong He**, Guangdong Province
(CN)

(**) Term: **15 Years**

(21) Appl. No.: **29/671,331**

(22) Filed: **Nov. 26, 2018**

(30) **Foreign Application Priority Data**

Aug. 31, 2018 (CN) 2018 3 0488840

(51) **LOC (12) Cl.** **21-02**

(52) **U.S. Cl.**
USPC **D21/806**

(58) **Field of Classification Search**
USPC D21/801, 803, 804, 806, 807
CPC A63B 31/00; A63B 31/02; A63B 31/08;
A63B 31/10; A63B 31/11
See application file for complete search history.

(56) **References Cited**

U.S. PATENT DOCUMENTS

3,084,355 A * 4/1963 Ciccotelli A63B 31/14
441/61
D302,197 S * 7/1989 Greeley D2/903

D319,917 S * 9/1991 Mishima D2/903
D592,839 S * 5/2009 Reyes D2/896
D594,077 S * 6/2009 Vassallo D21/806
D613,808 S * 4/2010 Vassallo D21/806
D699,932 S * 2/2014 Lubart D2/911
D704,292 S * 5/2014 Garraffa D21/806

* cited by examiner

Primary Examiner — Zenia I Bennett

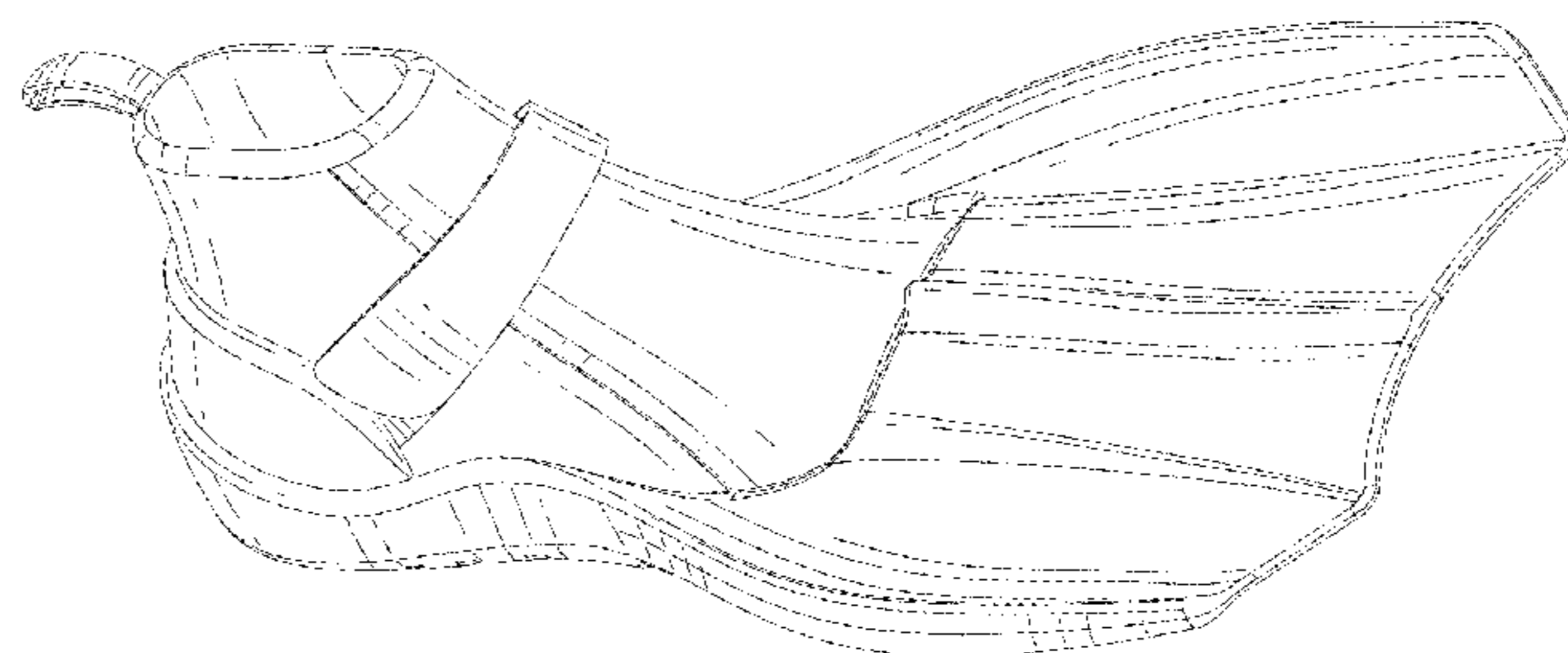
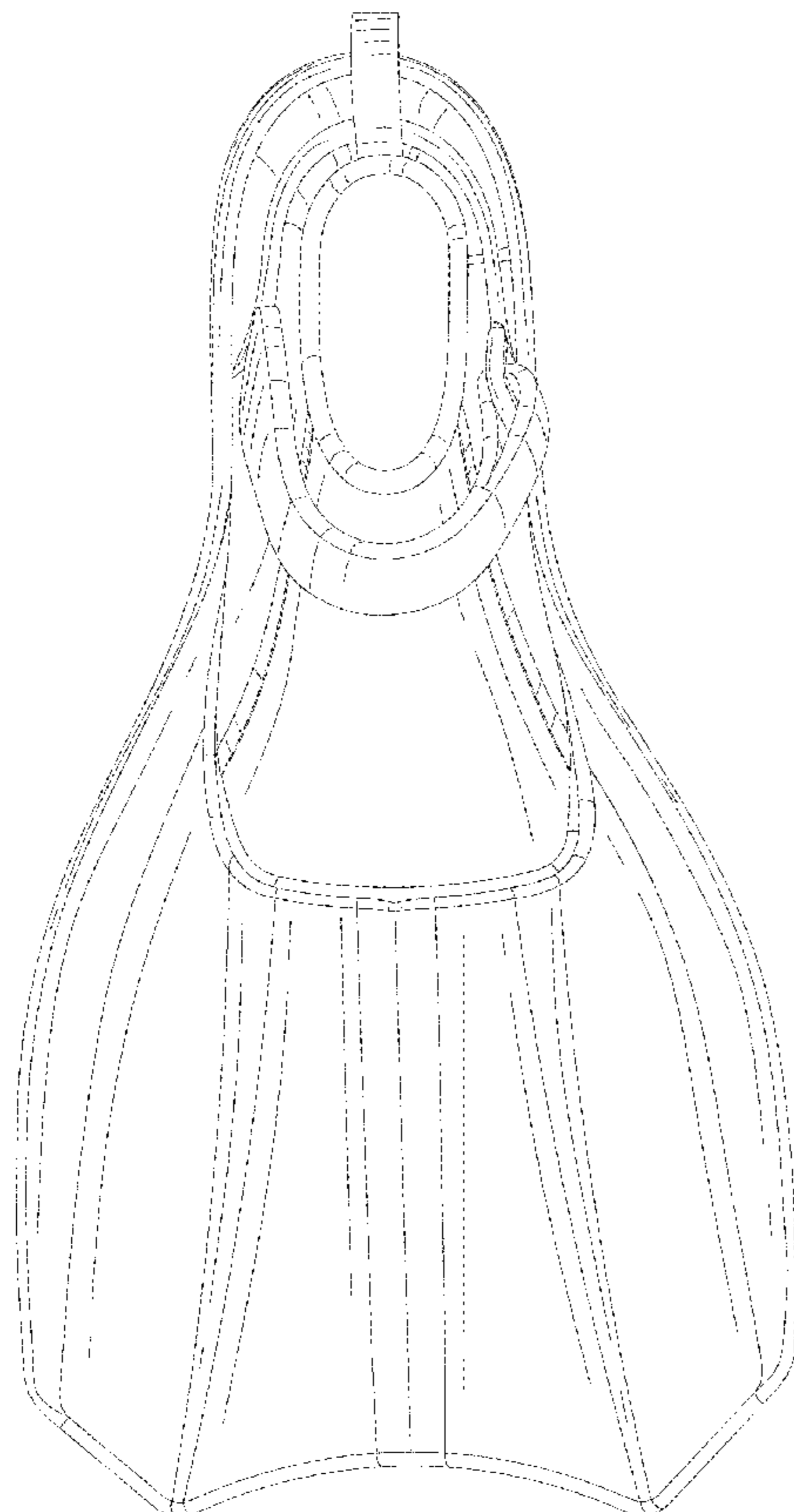
(57) **CLAIM**

The ornamental design for a swimming shoe, as shown.

DESCRIPTION

FIG. 1 is a front elevational view of a swimming shoe showing my new design;
FIG. 2 is a rear elevational view thereof;
FIG. 3 is a left side view thereof;
FIG. 4 is a right side view thereof;
FIG. 5 is a top plan view thereof;
FIG. 6 is a bottom plan view thereof; and,
FIG. 7 is a perspective view thereof.

1 Claim, 7 Drawing Sheets



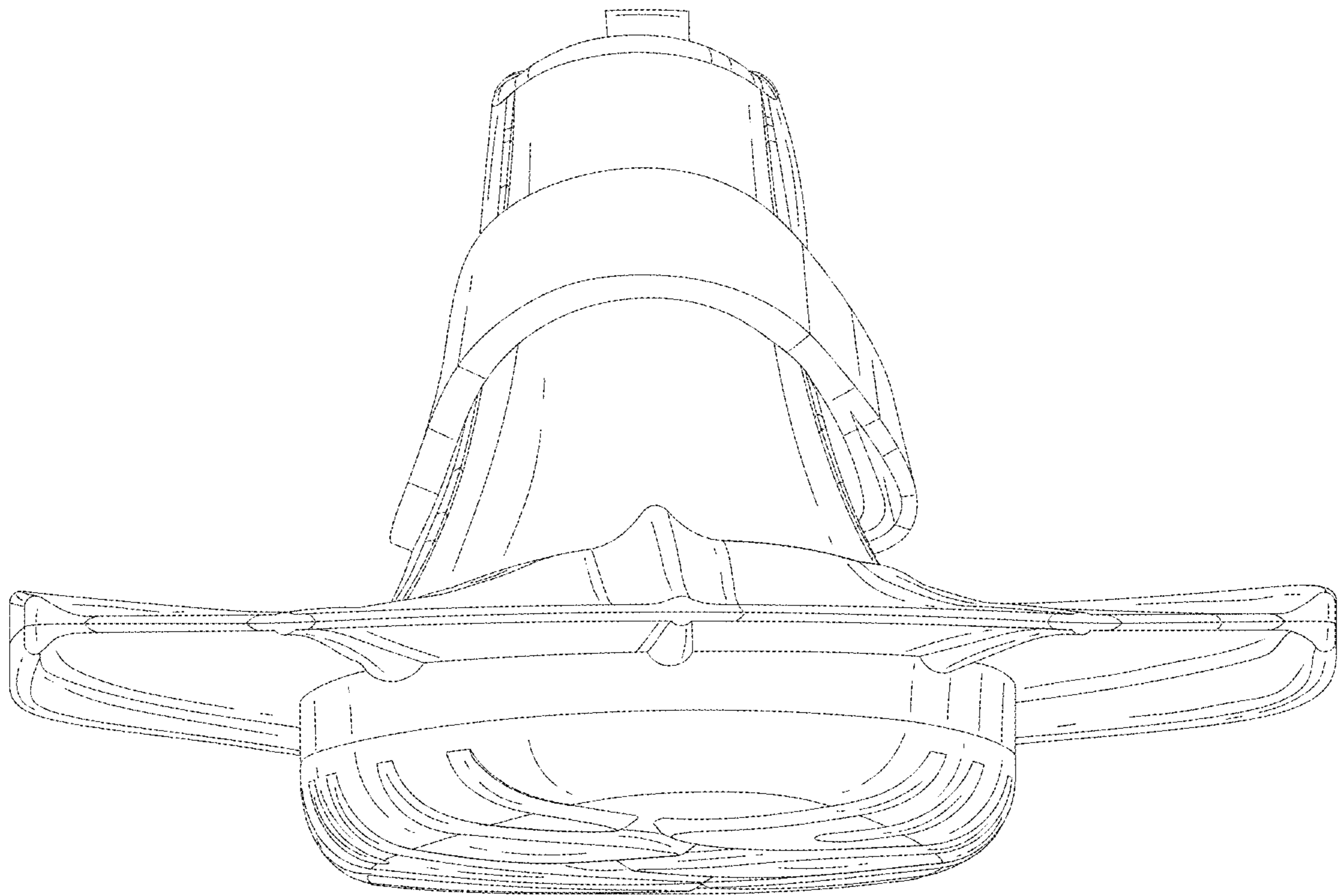


Fig. 1

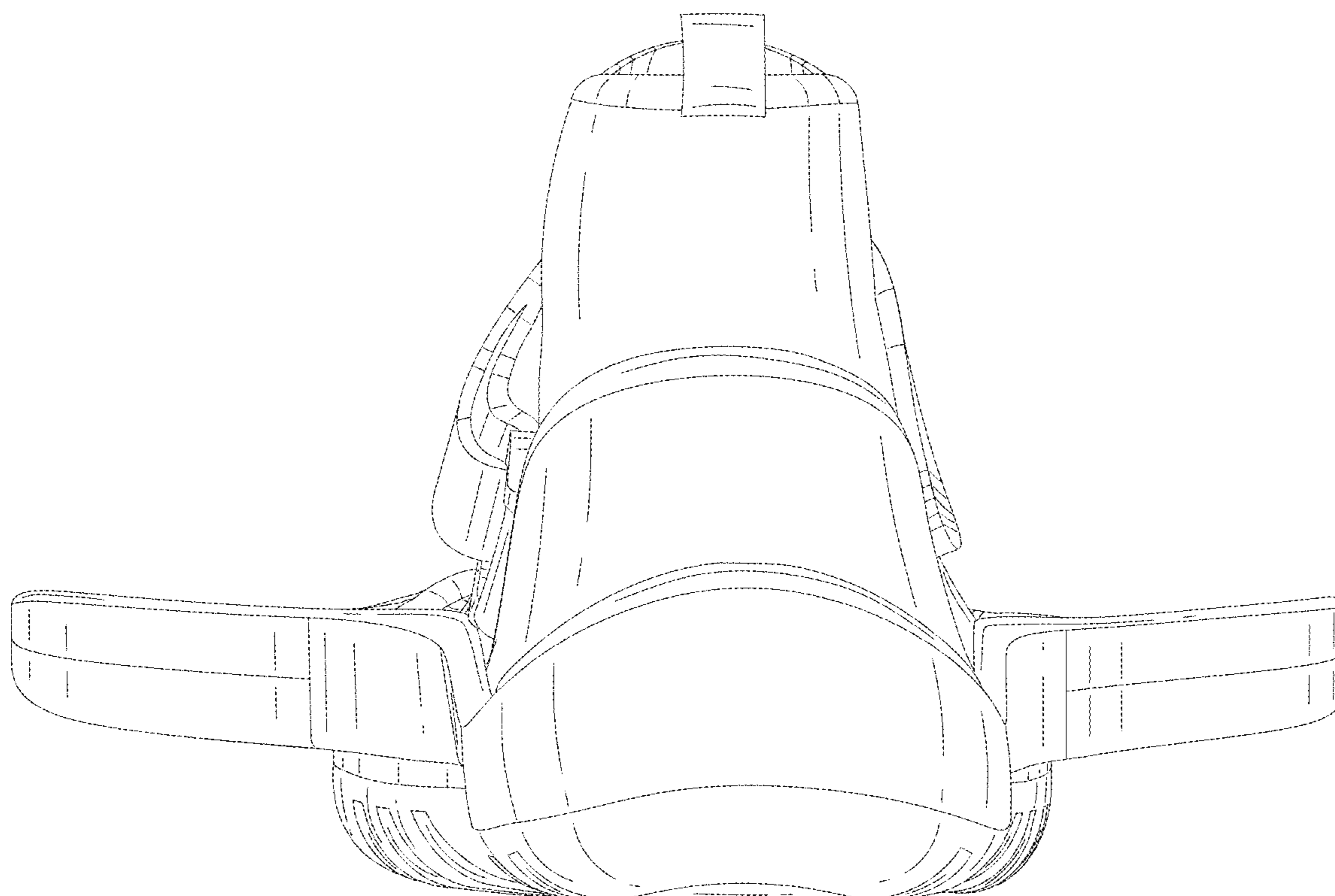


Fig.2

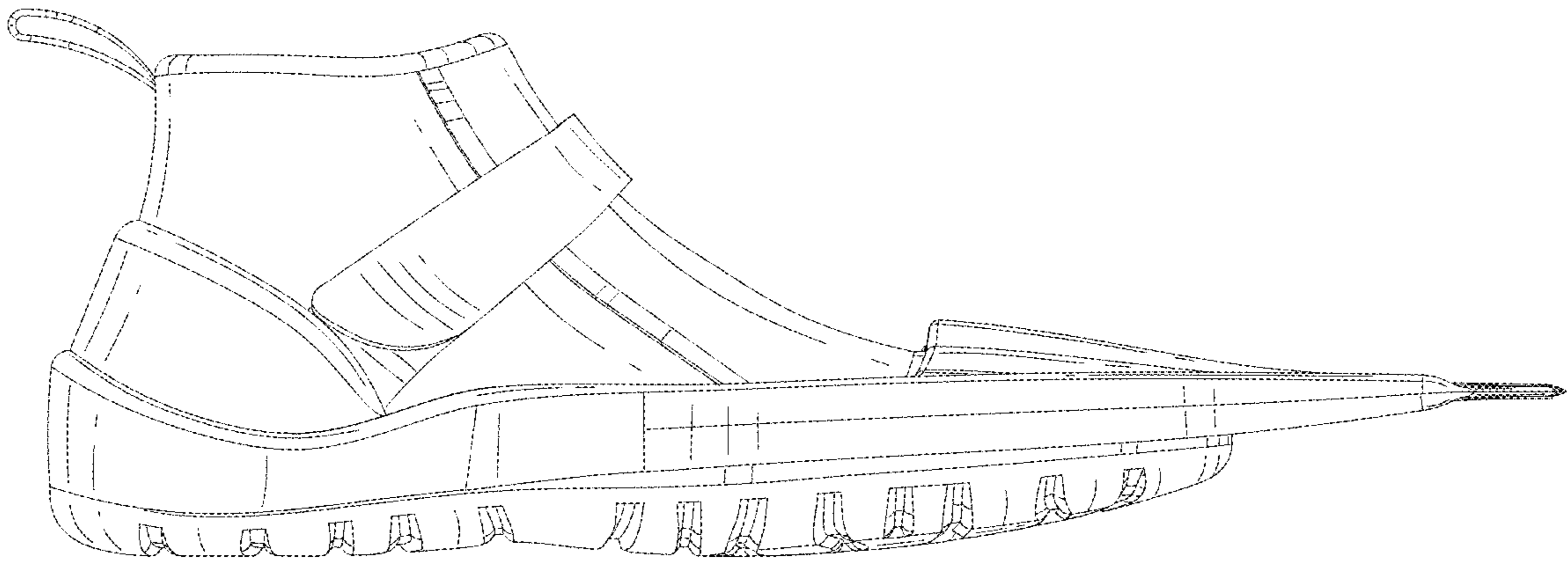


Fig.3

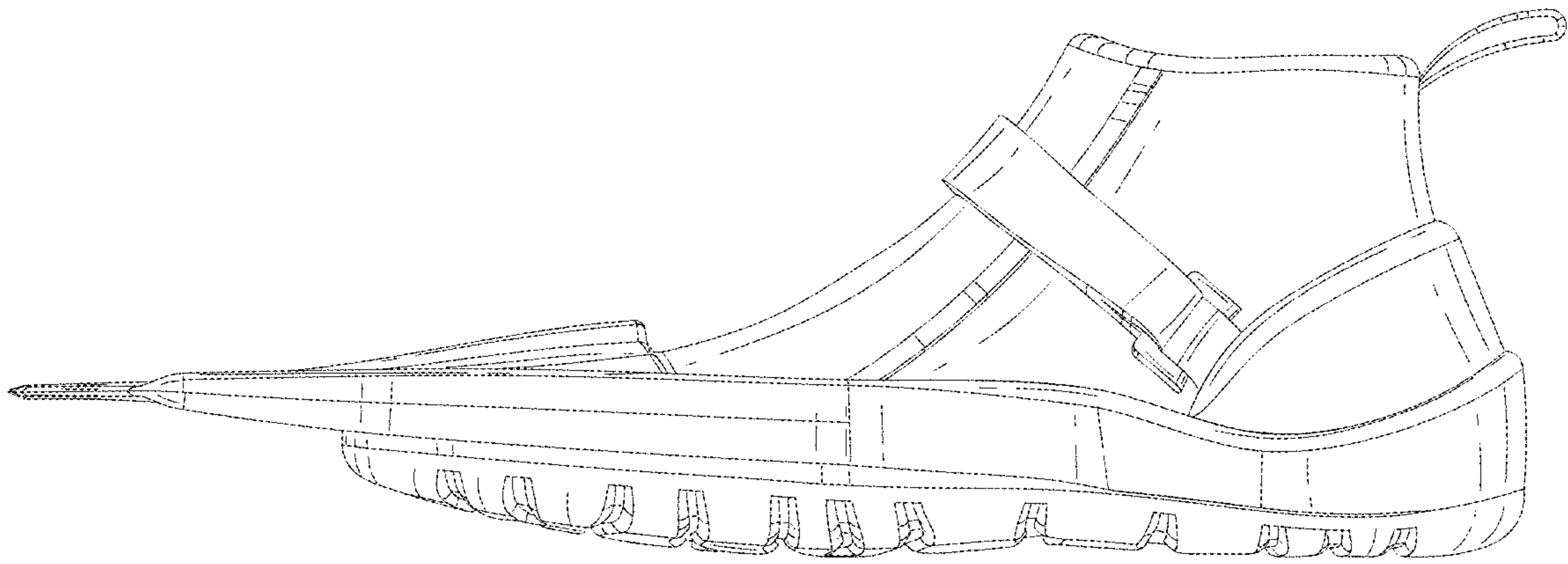


Fig.4

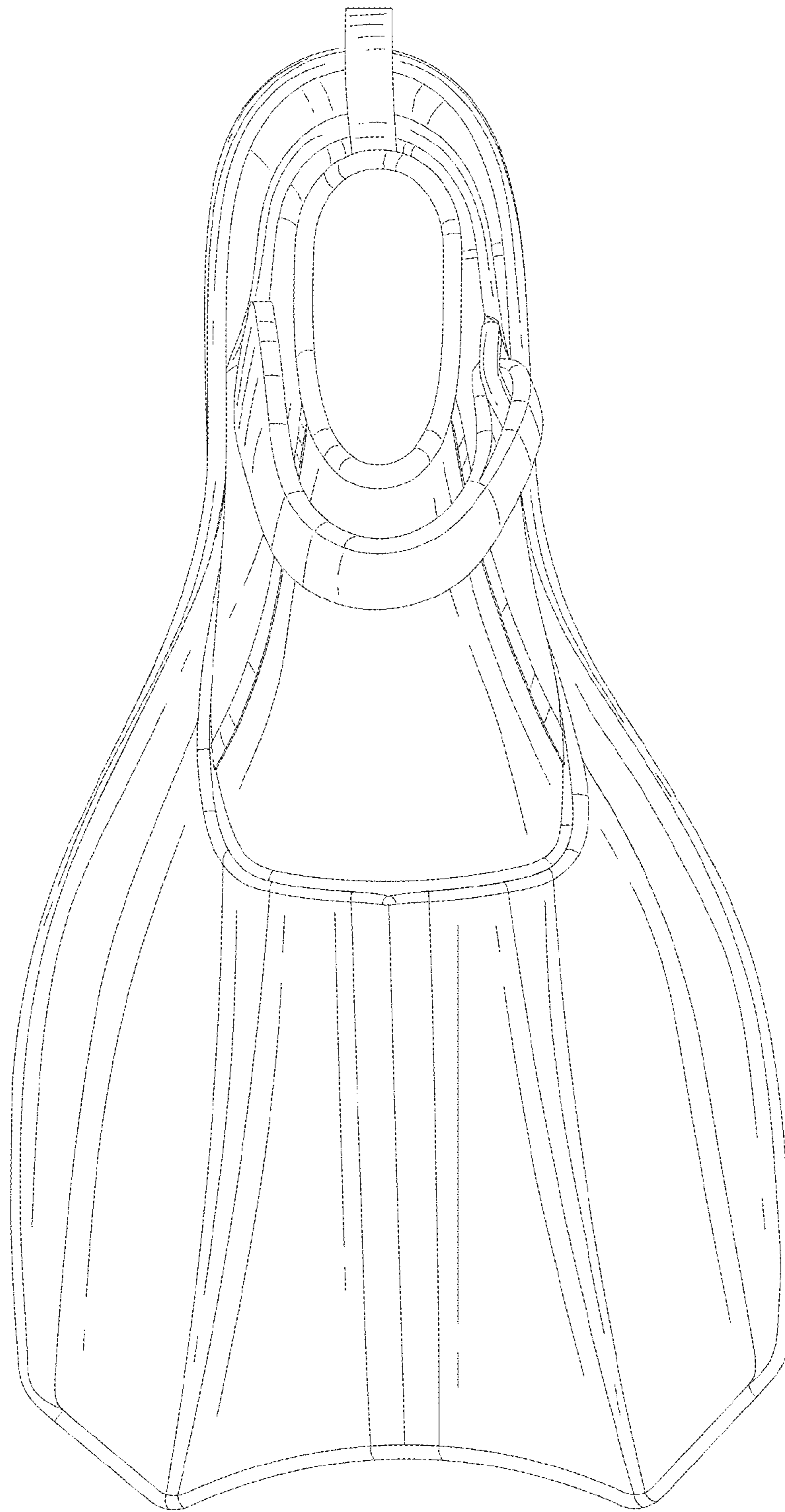


Fig. 5

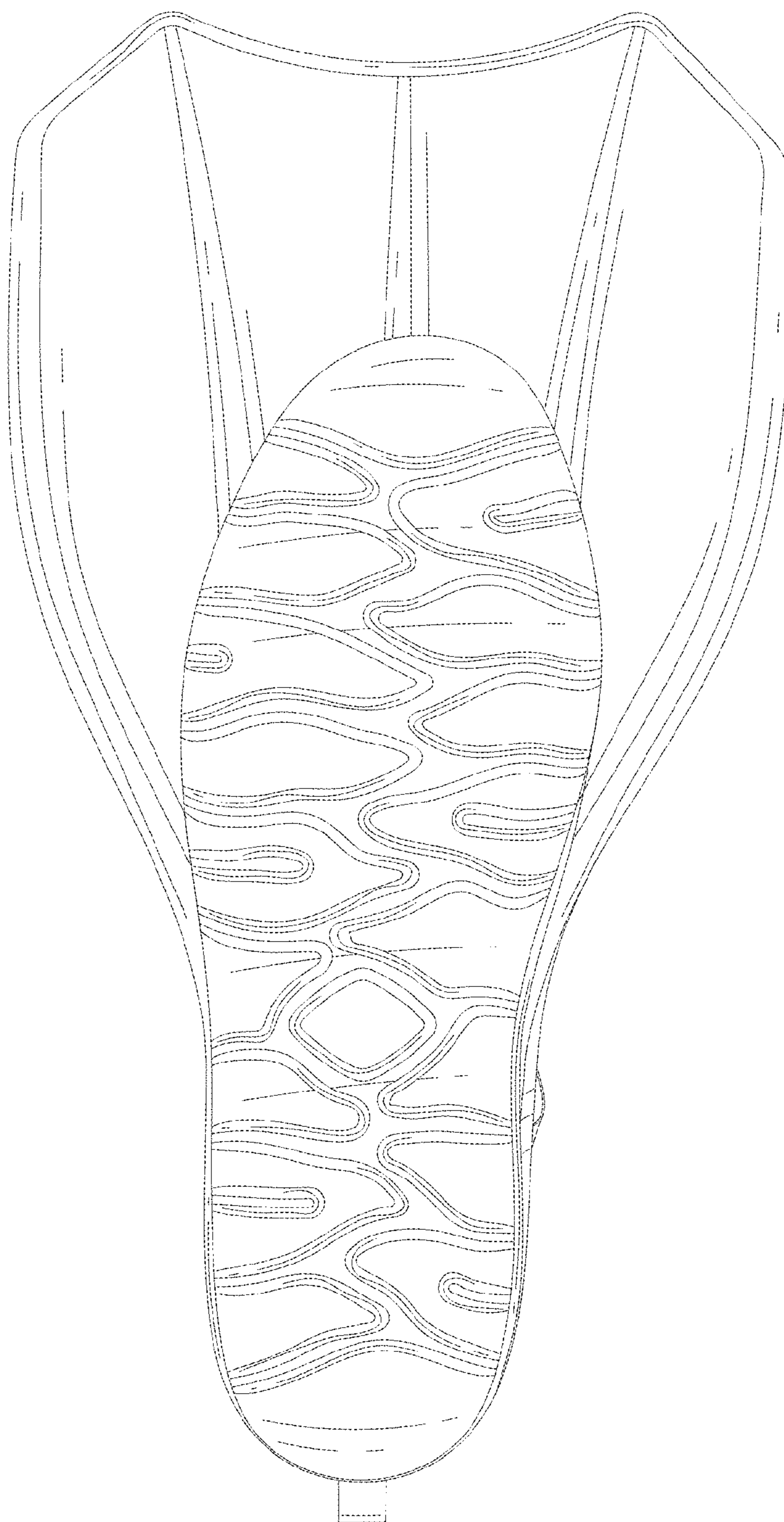


Fig.6

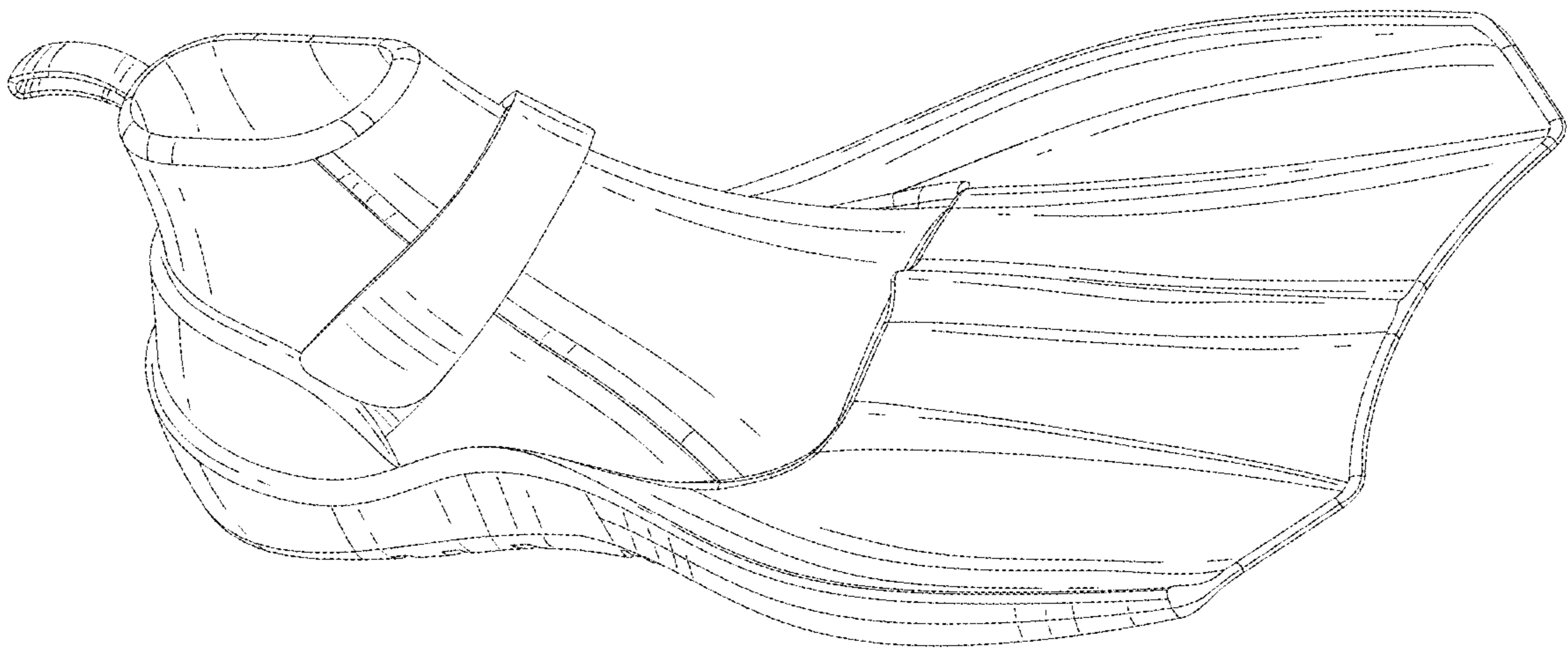


Fig. 7