



US00D881306S

(12) **United States Design Patent** (10) **Patent No.:** **US D881,306 S**
Madrid (45) **Date of Patent:** **** Apr. 14, 2020**

- (54) **HANDLE**
- (71) Applicant: **Wm. T. Burnett IP, LLC**, Baltimore, MD (US)
- (72) Inventor: **William Madrid**, Catonsville, MD (US)
- (73) Assignee: **Wm. T. Burnett IP, LLC**, Baltimore, MD (US)
- (**) Term: **15 Years**
- (21) Appl. No.: **29/633,840**
- (22) Filed: **Jan. 16, 2018**
- (51) **LOC (12) Cl.** **21-02**
- (52) **U.S. Cl.**
USPC **D21/757**; D21/724
- (58) **Field of Classification Search**
USPC D21/722, 724, 756, 757
CPC A63B 59/20; A63B 65/122; A63B 65/125;
A63B 65/127; A63B 60/50; A63B 60/51;
A63B 60/52; A63B 60/00; A63B 60/46
See application file for complete search history.

(56) **References Cited**

U.S. PATENT DOCUMENTS

- 6,752,730 B1 * 6/2004 Brine, Jr. A63B 60/48
473/513
- D534,227 S * 12/2006 Lee D21/724
- 7,201,678 B2 * 4/2007 Filice A63B 60/08
473/513
- D565,140 S * 3/2008 Appleton D21/757
- D567,890 S * 4/2008 Appleton D21/756
- 7,404,775 B2 * 7/2008 Morrow A63B 60/10
473/513
- D581,475 S * 11/2008 Dickie D21/724
- D589,101 S * 3/2009 Dickie D21/724
- D589,102 S * 3/2009 Dickie D21/724
- D606,146 S * 12/2009 Gedeon D21/757
- 7,766,772 B2 * 8/2010 Morrow A63B 60/10
473/513

- 8,052,549 B2 * 11/2011 Sykora A63B 49/035
473/513
- D688,342 S * 8/2013 Tucker, Jr. D21/757
- D735,281 S * 7/2015 Janisse D21/724
- D735,282 S * 7/2015 Burns D21/724
- 9,643,311 B1 * 5/2017 Cowie B25G 1/04
- 2012/0283052 A1 11/2012 Tucker, Jr. et al.

OTHER PUBLICATIONS

Epoch Lacrosse, Gen 4 Technology, web page, May 17, 2014. Available from Internet: <<https://web.archive.org/web/20140517033525/https://www.epochlacrosse.com/gen-4-technology/>>.

* cited by examiner

Primary Examiner — Mitchell I. Siegel

(74) *Attorney, Agent, or Firm* — Plumsea Law Group, LLC

(57) **CLAIM**

The ornamental design for a handle, as shown and described.

DESCRIPTION

FIG. 1 is a top isometric perspective view of a handle showing the new design;

FIG. 2 is a side elevational view thereof, the opposite side elevational view being a mirror image;

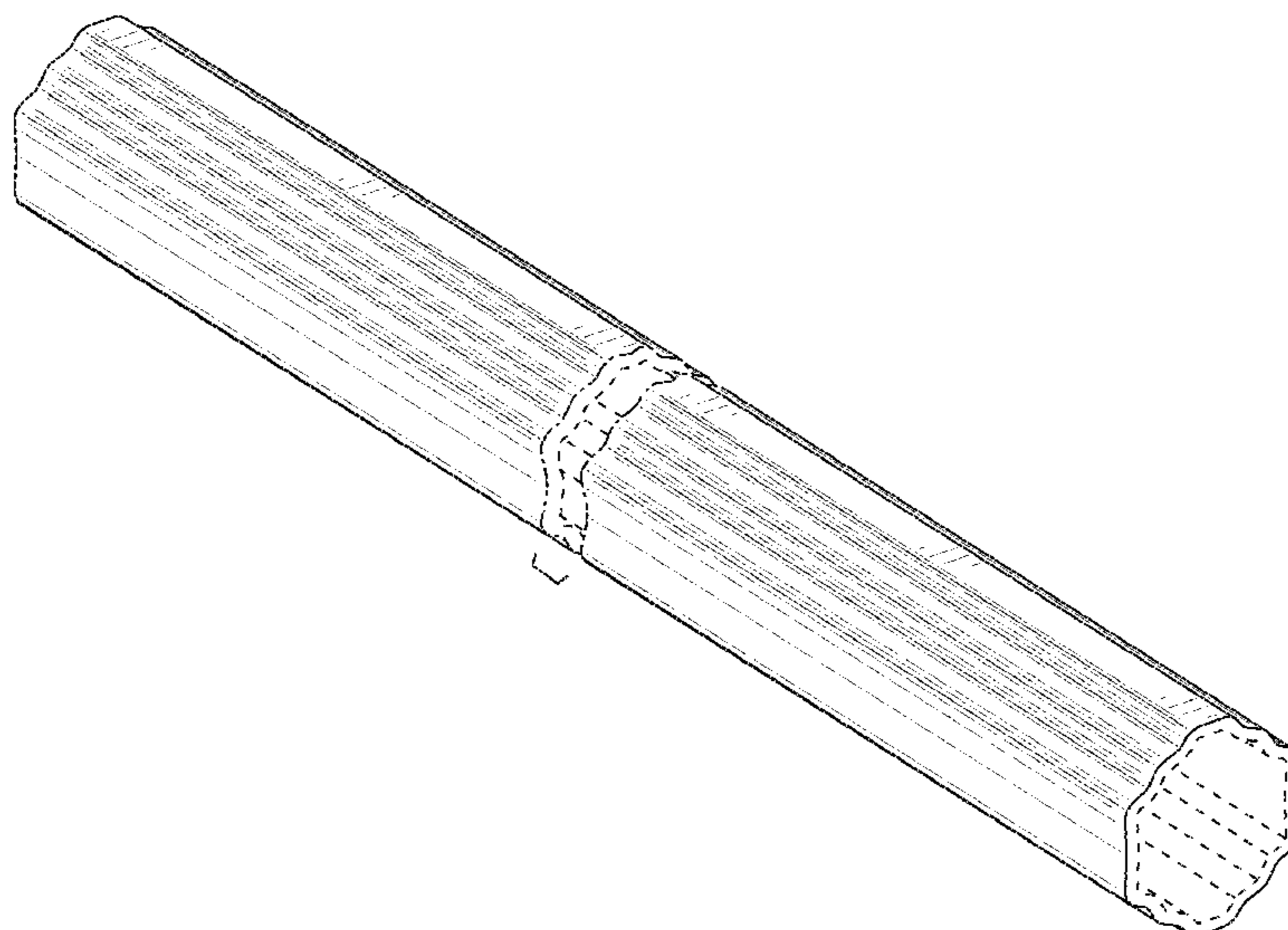
FIG. 3 is a front elevational view thereof, the rear elevational view being a mirror image;

FIG. 4 is a top plan view thereof, the bottom plan view being a mirror image; and,

FIG. 5 is a top isometric perspective view thereof, the broken line showing of the unclaimed lacrosse stick head being shown as environment.

The broken lines shown are included for the purpose of illustrating unclaimed subject matter and form no part of the claimed design. The dash-dot lines are included as boundary lines and form no part of the claimed design. The middle portion of the handle shown broken away indicates indeterminate length and forms no part of the claimed design.

1 Claim, 5 Drawing Sheets



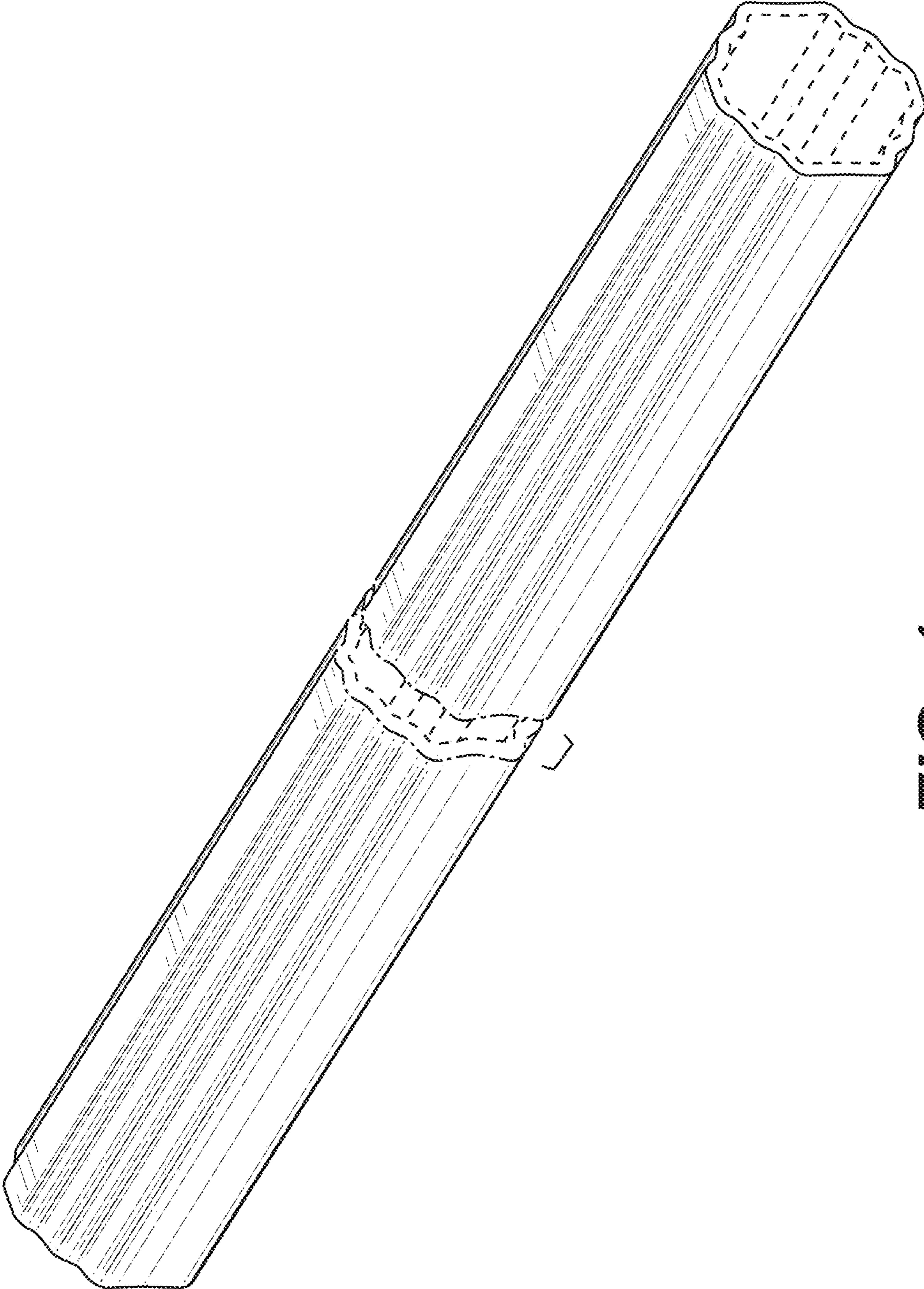


FIG. 1

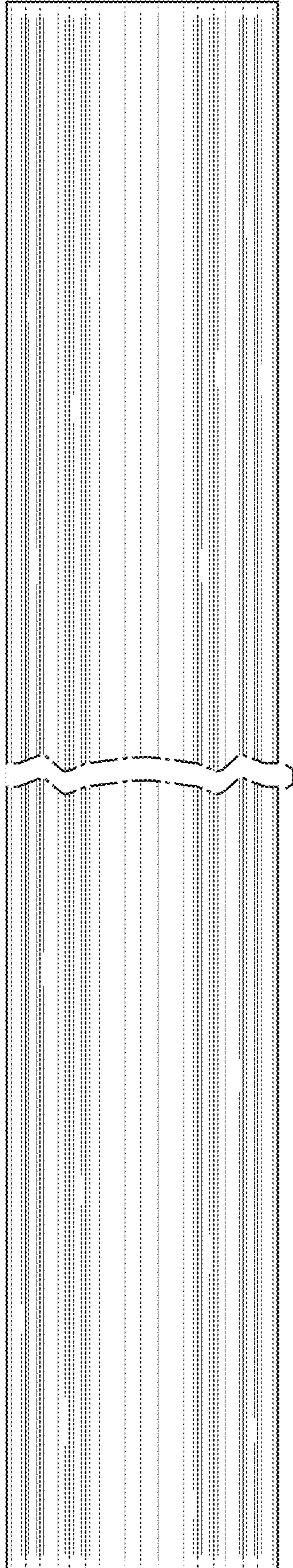


FIG. 2

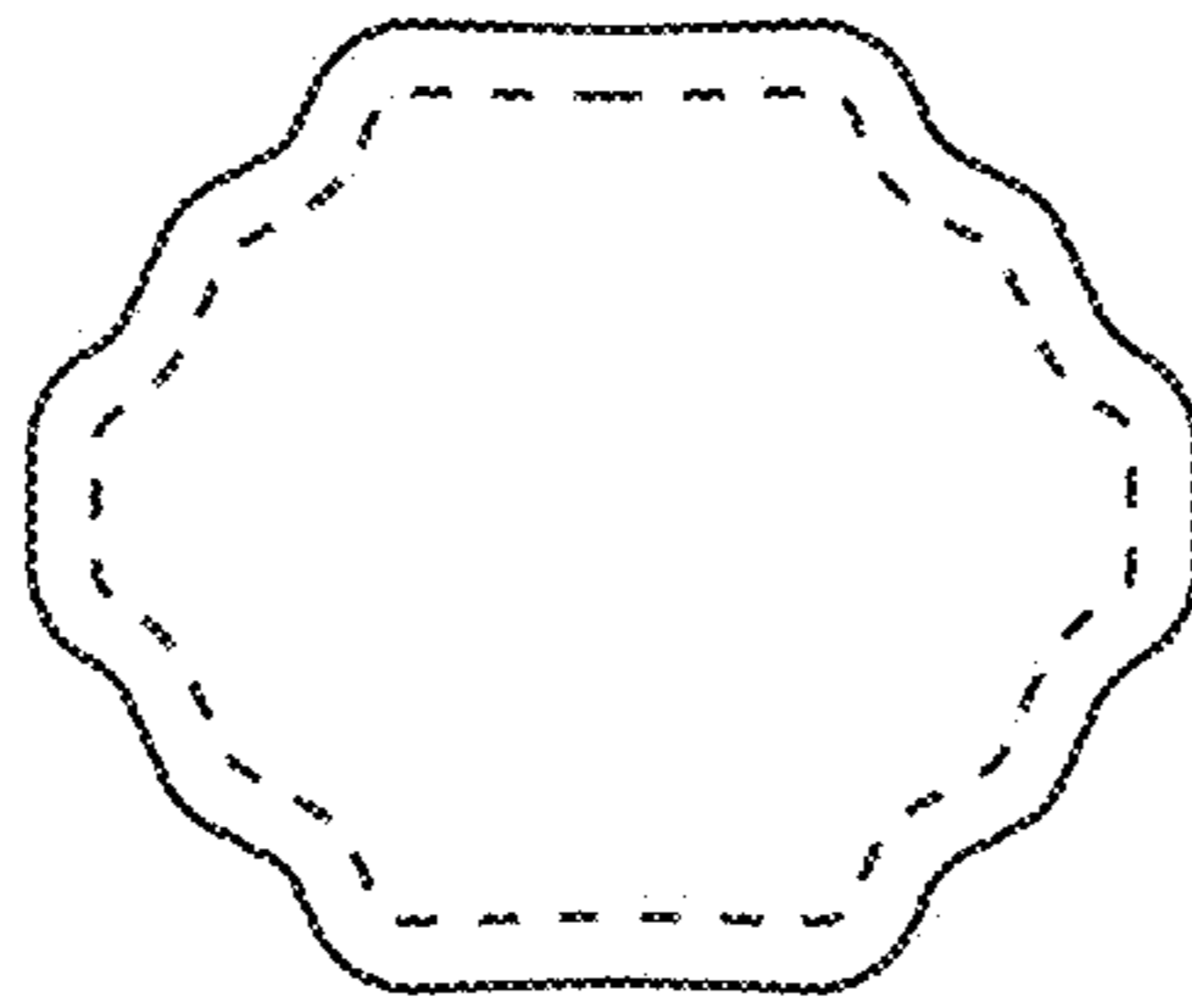


FIG. 3

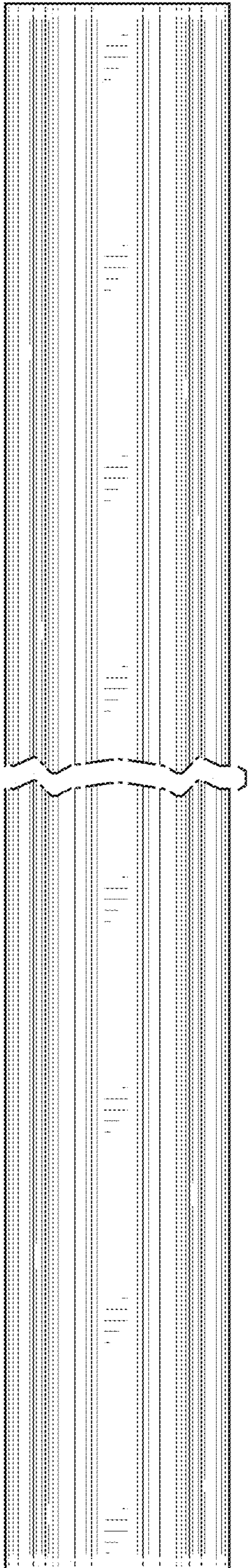


FIG. 4

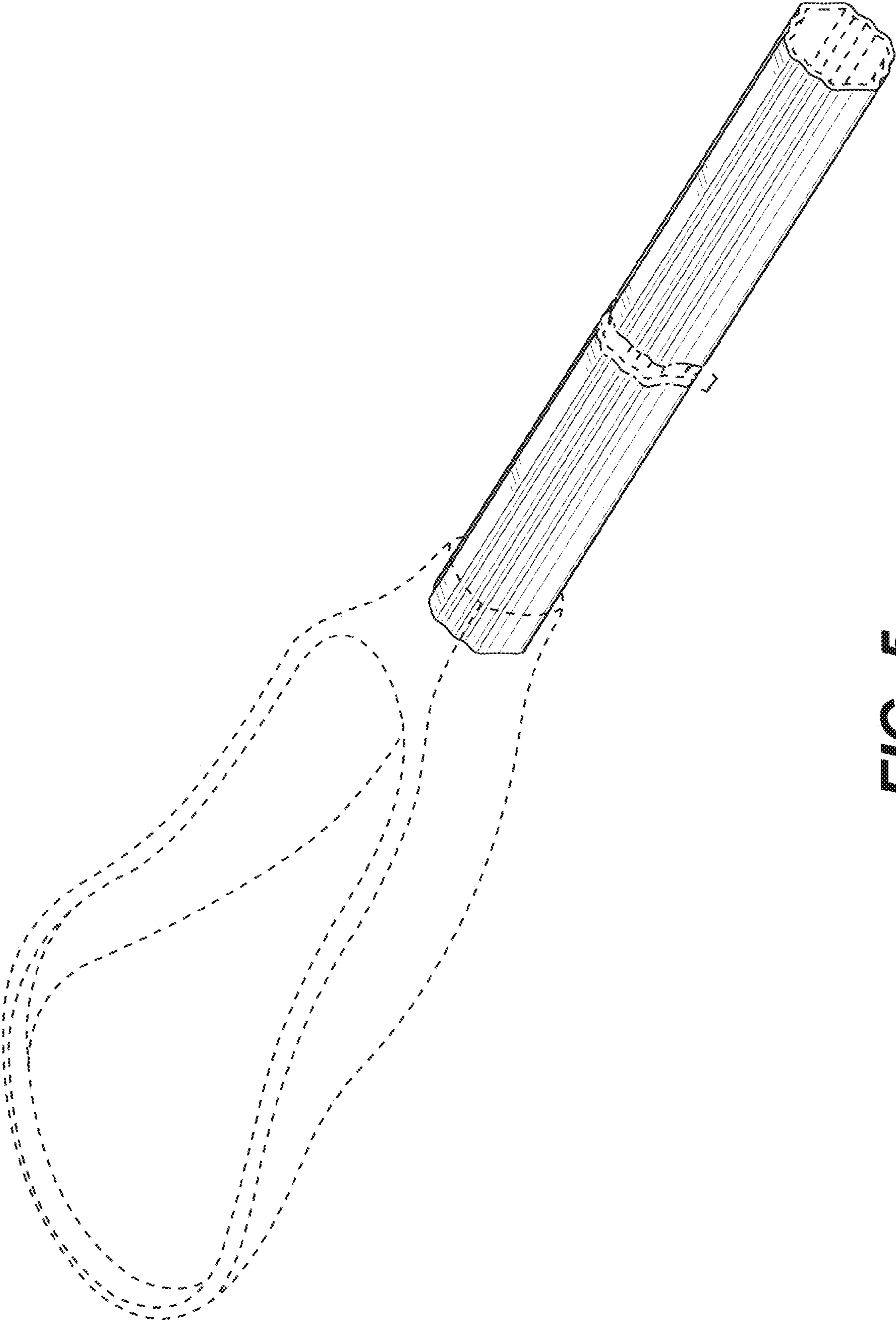


FIG. 5