



US00D881304S

(12) **United States Design Patent**
Tryner et al.

(10) **Patent No.:** **US D881,304 S**
(45) **Date of Patent:** **** Apr. 14, 2020**

- (54) **FOOTBALL**
- (71) Applicant: **Wilson Sporting Goods Co.**, Chicago, IL (US)
- (72) Inventors: **Andrew K. Tryner**, Chicago, IL (US);
Kevin L. Krysiak, Palatine, IL (US);
Andrew J. Wentling, Carey, OH (US);
Daniel E. Hare, Schaumburg, IL (US)
- (73) Assignee: **Wilson Sporting Goods Co.**, Chicago, IL (US)
- (**) Term: **15 Years**
- (21) Appl. No.: **29/675,078**
- (22) Filed: **Dec. 28, 2018**
- (51) **LOC (12) Cl.** **21-02**
- (52) **U.S. Cl.**
USPC **D21/712**
- (58) **Field of Classification Search**
USPC D21/707-714; D3/271.9; D7/901;
D9/668; D11/157; D30/160;
473/569-615
CPC A63B 39/00-08; A63B 2039/003; A63B
2039/006; A63B 2039/022; A63B
41/00-12; A63B 2041/005; A63B
43/00-06; A63B 2043/001; A63H 33/18;
A63H 33/185
See application file for complete search history.

- 4,000,894 A 1/1977 Butzen
- 4,738,450 A * 4/1988 Wexler A63B 37/06
273/DIG. 20
- 4,772,020 A 9/1988 Martin
- 5,069,935 A 12/1991 Walters
- 5,133,550 A 6/1992 Handy
- 5,451,046 A 9/1995 Batton
- 5,526,326 A * 6/1996 Fekete A63B 43/00
368/10
- 5,570,882 A 11/1996 Horkan
- D411,269 S 6/1999 Albarelli, Jr.
- 6,123,632 A * 9/2000 Feeney A63B 41/08
473/596
- D481,162 S * 10/2003 Lin D21/712
- 6,629,902 B2 10/2003 Murphy et al.
- 6,767,300 B2 6/2004 Murphy et al.
- 7,029,407 B2 4/2006 Lee et al.
- D570,431 S 6/2008 Krysiak

(Continued)

Primary Examiner — Catherine A Tuttle
(74) *Attorney, Agent, or Firm* — Terence P. O'Brien

(57) **CLAIM**

We claim the ornamental design for a football, as shown and described.

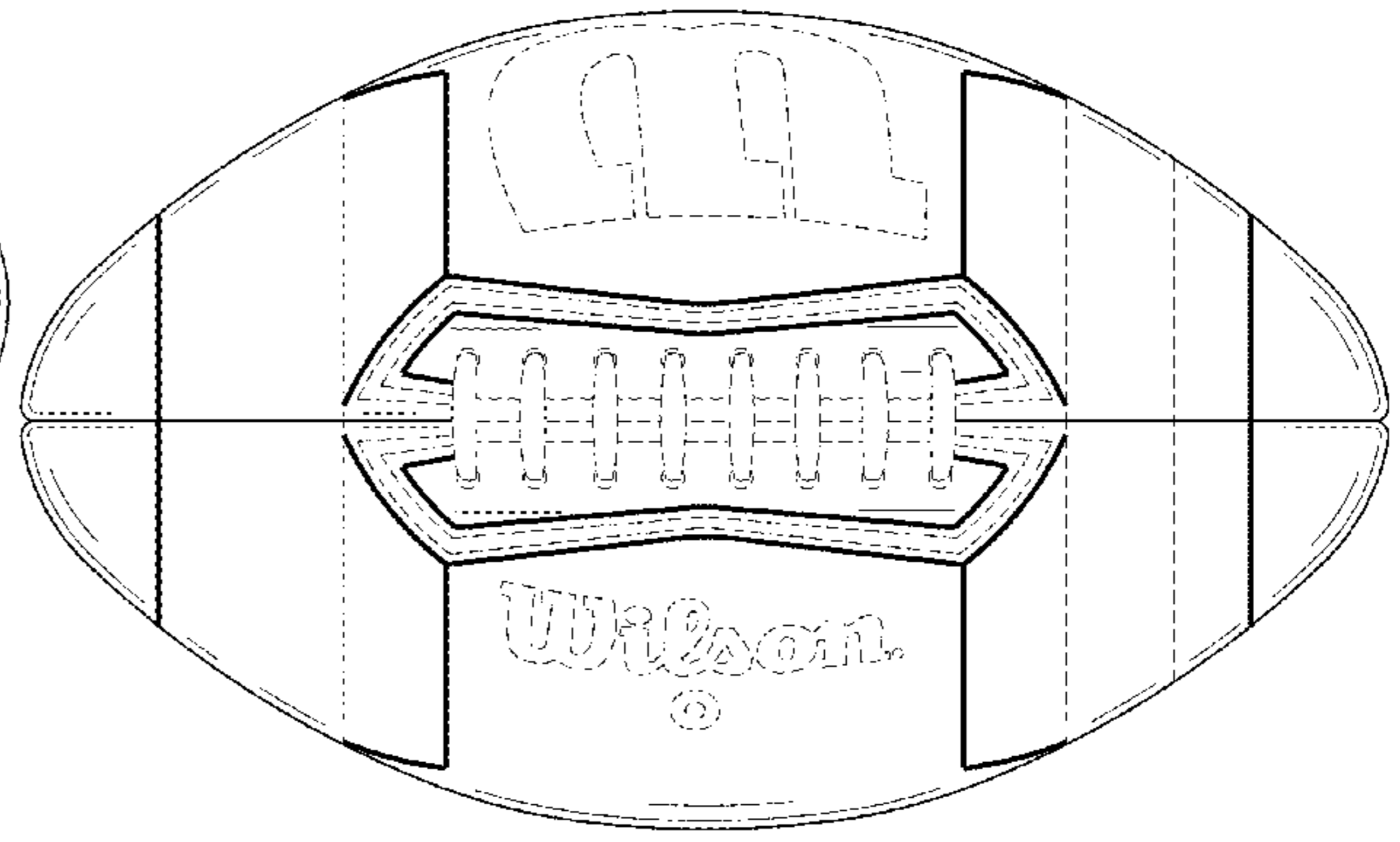
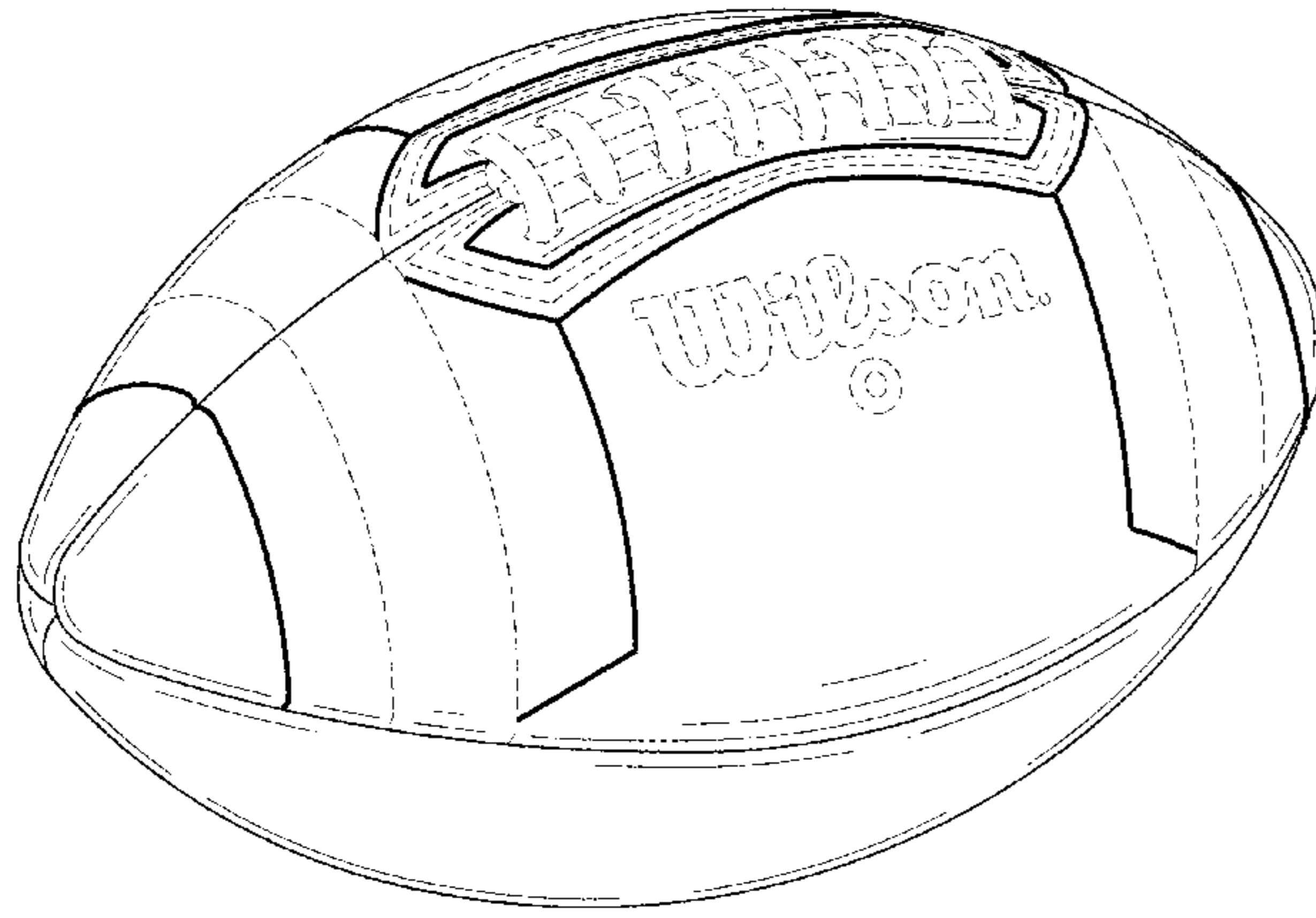
DESCRIPTION

FIG. 1 is a top perspective view of the football showing our new design;
 FIG. 2 is a top plan view thereof;
 FIG. 3 is a left side elevational view thereof;
 FIG. 4 is a right side elevational view thereof;
 FIG. 5 is a front end view thereof;
 FIG. 6 is a rear end view thereof; and,
 FIG. 7 is a bottom plan view thereof.

The ornamental design that is claimed is shown in solid lines in the drawings. The broken (dashed) lines shown in the figures are included for the purpose of illustrating the elements of the football that form no part of the claimed design.

1 Claim, 7 Drawing Sheets

- (56) **References Cited**
U.S. PATENT DOCUMENTS
- 1,002,928 A 9/1911 Pierce
- 2,182,053 A 12/1939 Reach
- 2,194,674 A 3/1940 Riddell
- 2,859,040 A 11/1958 Gow et al.
- 2,906,533 A 9/1959 Gow et al.
- 2,866,644 A 12/1959 Gow et al.
- 2,931,653 A 4/1960 Gow et al.



(56)

References Cited

U.S. PATENT DOCUMENTS

D570,432 S	6/2008	Krysiak	2005/0064966 A1*	3/2005	Menow	A63B 43/00 473/569
D584,778 S *	1/2009	Bevier	2006/0211527 A1*	9/2006	Guenther	A63B 41/08 473/597
D637,239 S *	5/2011	Walterscheid	2007/0178997 A1	8/2007	Chang	
8,047,937 B2	11/2011	Krysiak	2008/0287230 A1	11/2008	Guenther et al.	
8,142,311 B2	3/2012	Krysiak	2010/0062883 A1*	3/2010	Bevier	A63B 43/008 473/597
8,366,574 B2	2/2013	Guenther et al.	2012/0264549 A1*	10/2012	Homsi	A63B 43/008 473/422
8,371,971 B2	2/2013	Bevier	2014/0256478 A1	9/2014	Gale	
8,449,417 B2	5/2013	Bevier et al.	2015/0031482 A1*	1/2015	Frank	A63B 43/002 473/597
8,460,135 B2	6/2013	Guenther et al.	2015/0045159 A1*	2/2015	Tompkins	A63B 41/08 473/596
8,512,177 B2	8/2013	Krysiak et al.	2017/0252632 A1*	9/2017	Pappas	A63B 71/0605
8,579,742 B2	11/2013	Krysiak	2018/0193694 A1*	7/2018	Bergman	A43B 3/0005
8,905,876 B2	12/2014	Guenther et al.	2018/0333616 A1*	11/2018	Kolcun	A63B 41/08
D790,282 S *	6/2017	Price				
9,700,779 B1 *	7/2017	Leal				
2002/0103046 A1*	8/2002	Sullivan				
2004/0121865 A1*	6/2004	Lee				

* cited by examiner

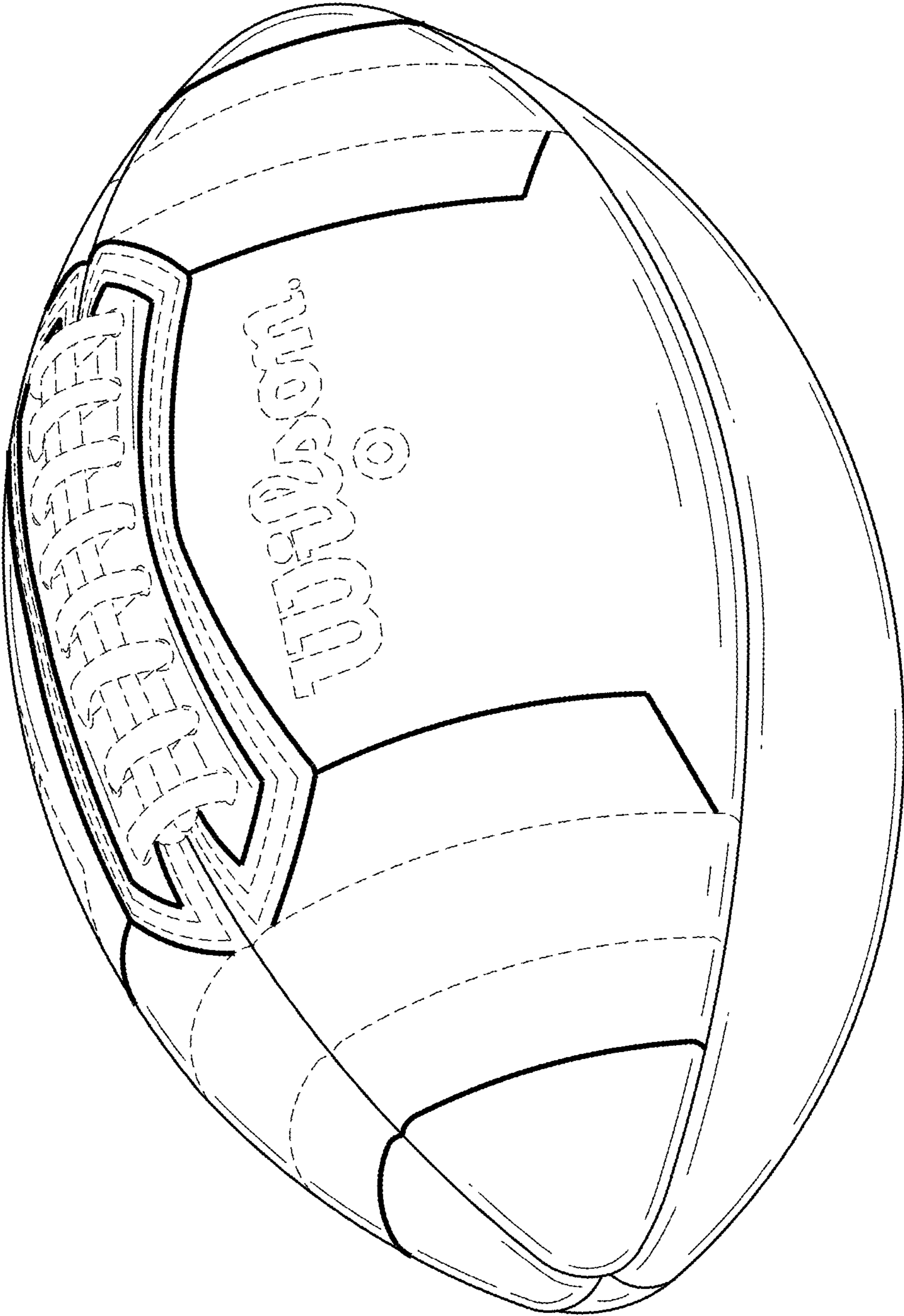


FIG. 1

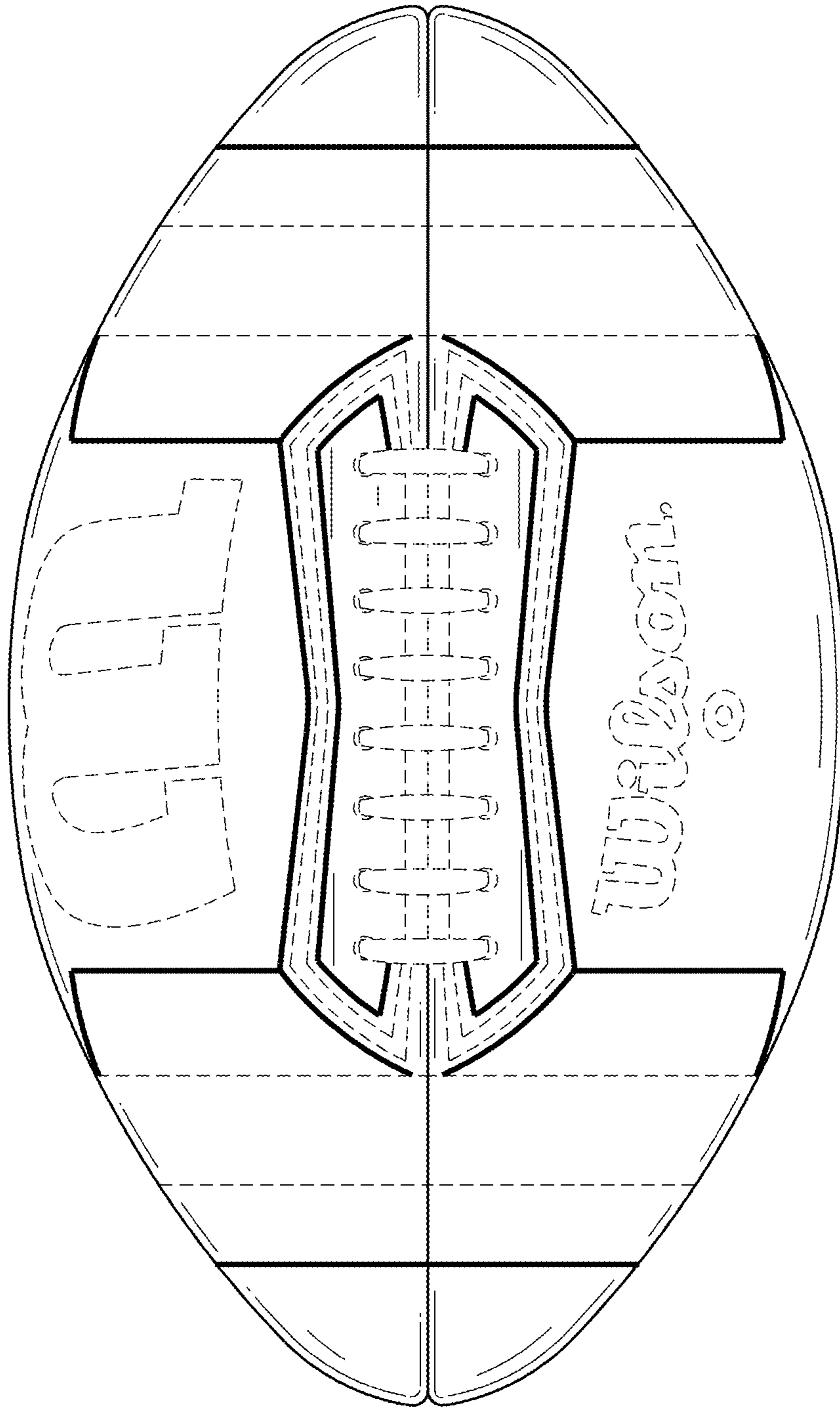


FIG. 2

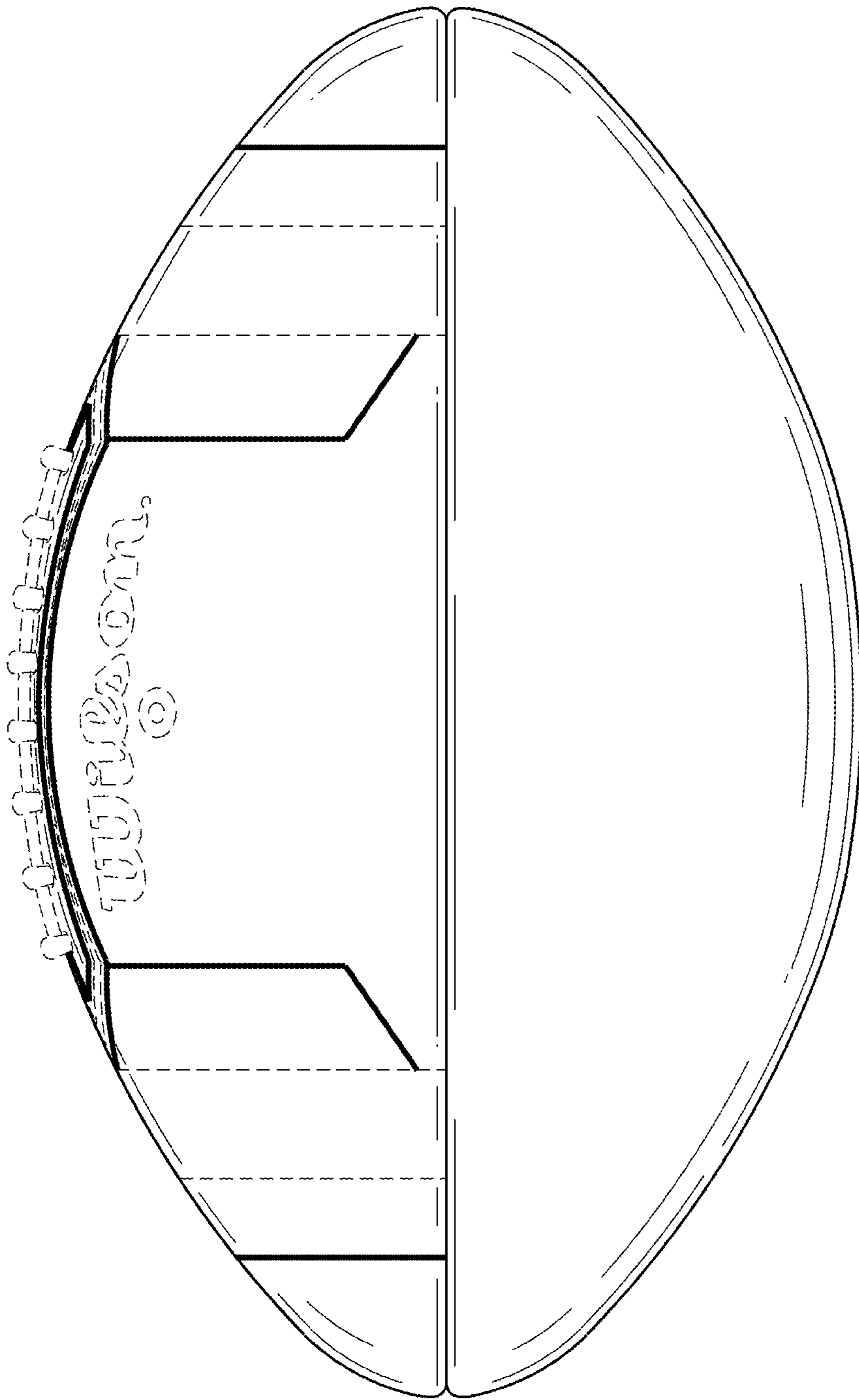


FIG. 3

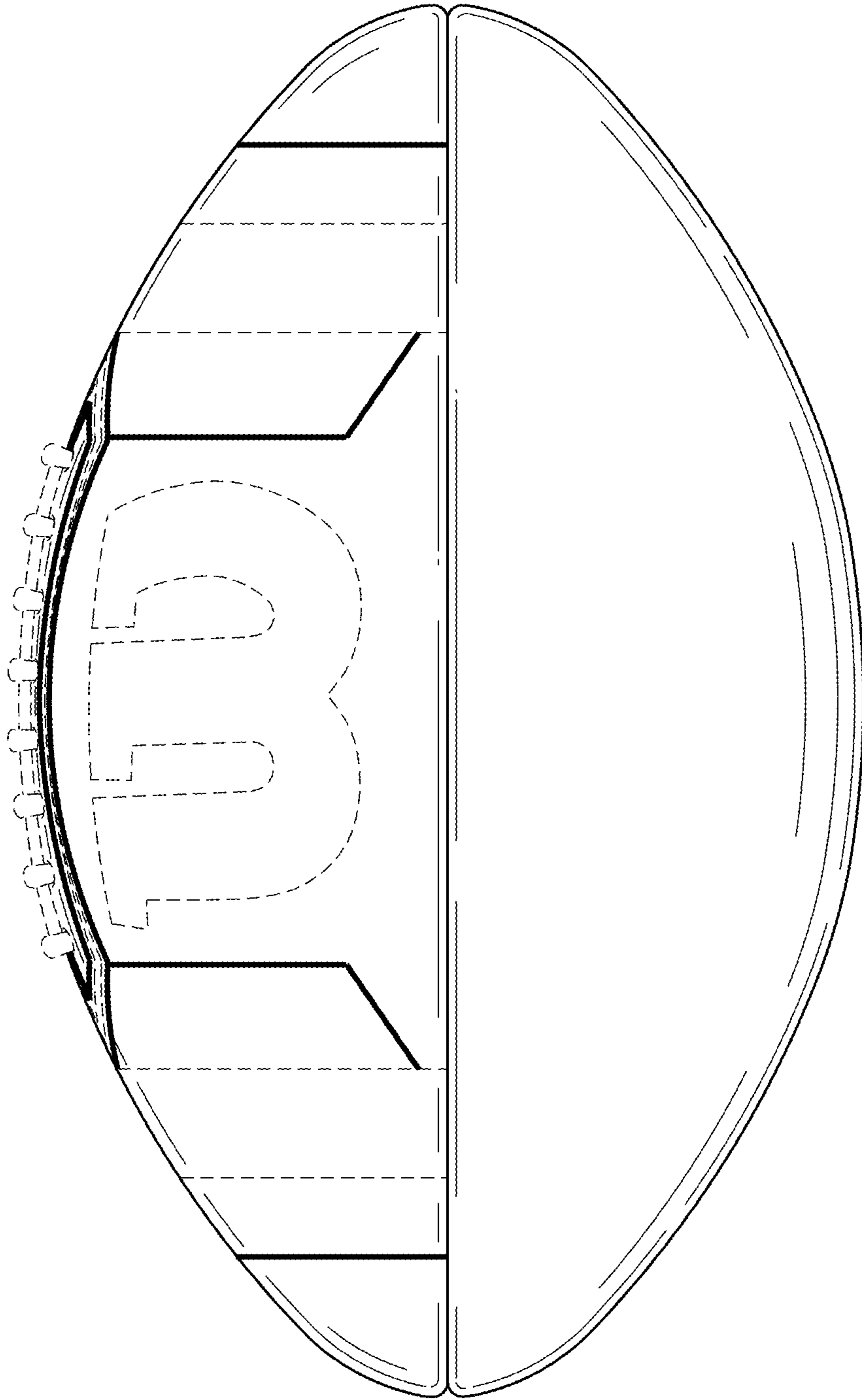


FIG. 4

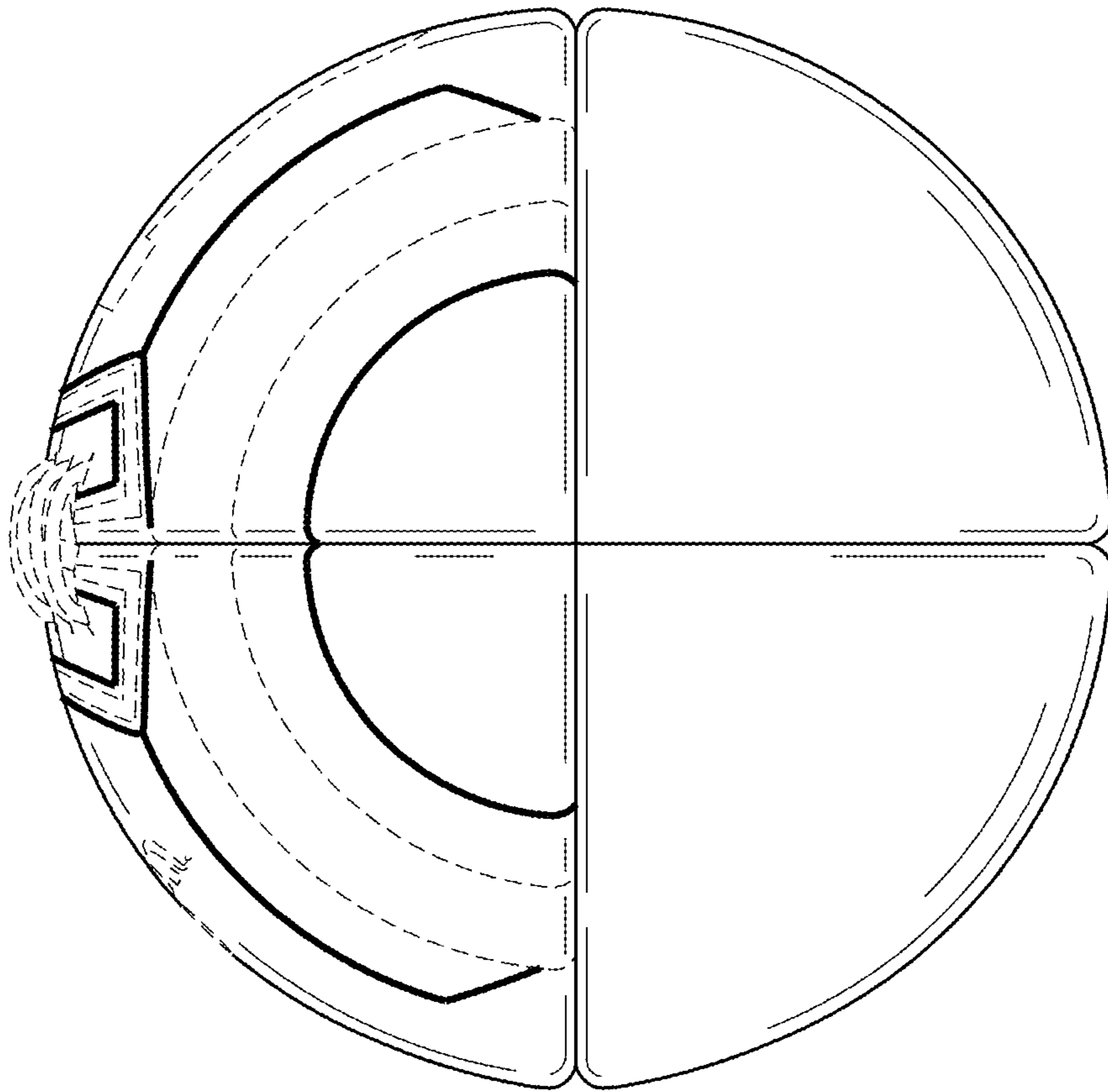


FIG. 5

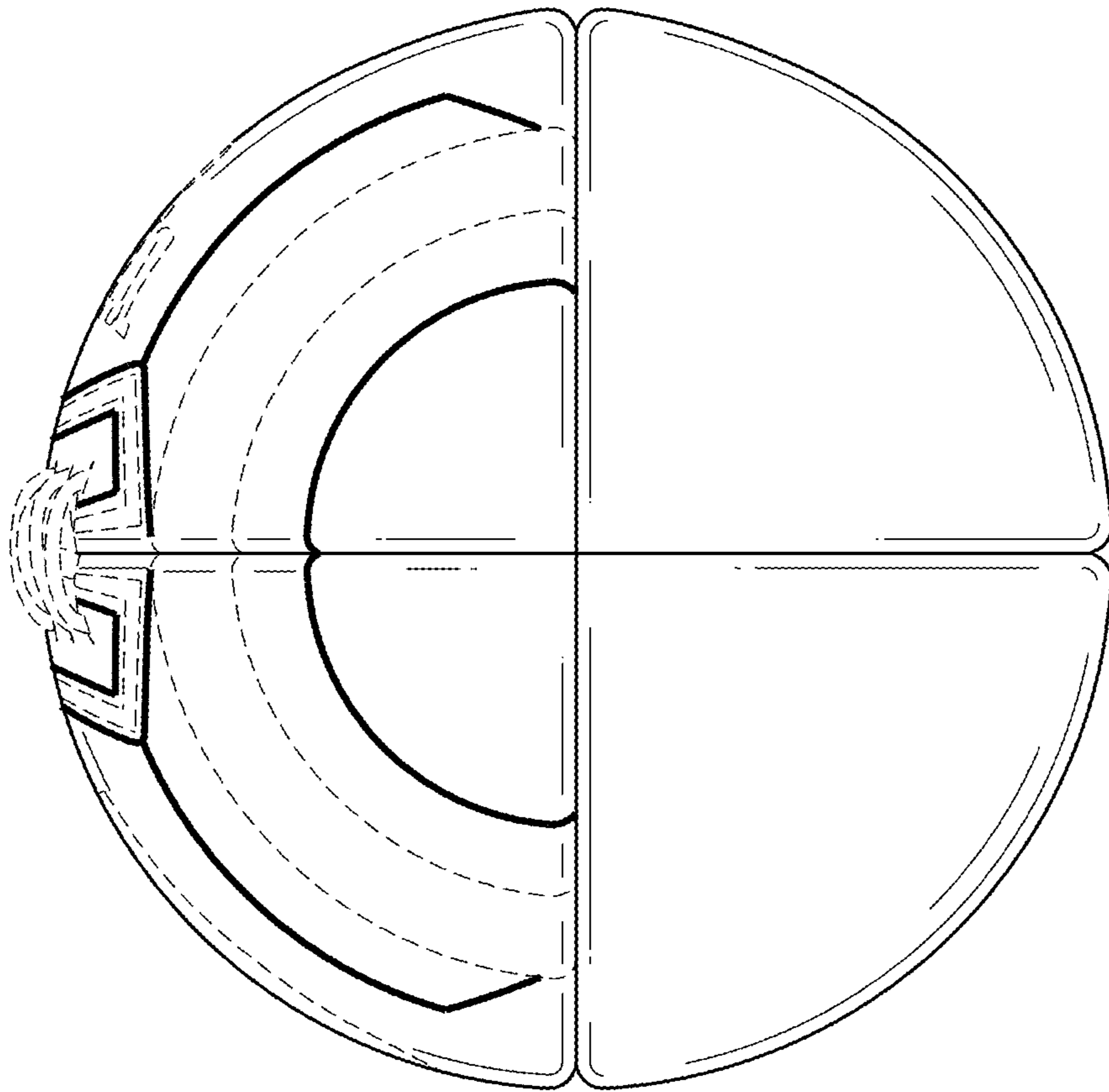


FIG. 6

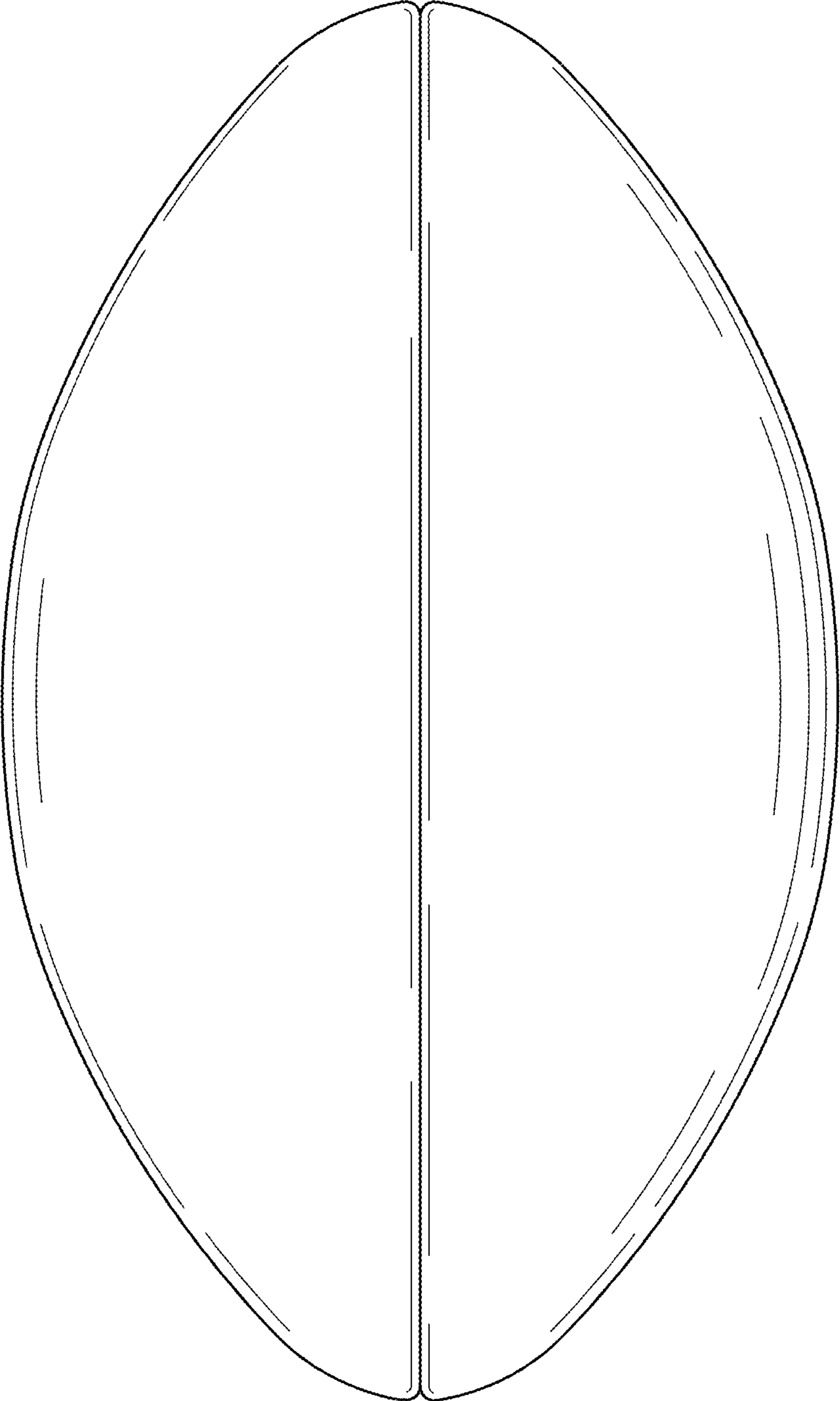


FIG. 7