



US00D881303S

(12) **United States Design Patent**
Elpers et al.

(10) **Patent No.:** **US D881,303 S**
(45) **Date of Patent:** **** Apr. 14, 2020**

(54) **BASKETBALL BACKBOARD SUPPORT ARM**

(71) Applicant: **Indian Industries, Inc.**, Evansville, IN (US)

(72) Inventors: **Philip Elpers**, Evansville, IN (US);
Robert W. Cornell, Evansville, IN (US)

(73) Assignee: **Indian Industries, Inc.**, Evansville, IN (US)

(**) Term: **15 Years**

(21) Appl. No.: **29/670,692**

(22) Filed: **Nov. 19, 2018**

(51) **LOC (12) Cl.** **21-02**

(52) **U.S. Cl.**
USPC **D21/701**

(58) **Field of Classification Search**
USPC D21/699–705, 781; D8/349, 354, 355,
D8/363, 373, 380; 473/479–489
CPC A63B 71/023; A63B 2225/093; A63B
63/00–083; A63B 2063/001; A63B
2063/002; A63B 2063/005; A63B
2063/006; A63B 2063/065; A63B
2063/086

See application file for complete search history.

(56) **References Cited**

U.S. PATENT DOCUMENTS

- 3,329,427 A * 7/1967 Bearson A63B 63/083
473/483
- 3,602,504 A * 8/1971 Chapman A63B 61/003
473/416
- 4,801,142 A * 1/1989 Friesen A63B 63/083
473/484
- 5,211,393 A * 5/1993 Rolffs A63B 63/083
248/284.1
- D343,883 S * 2/1994 Hall D21/702

- 5,390,914 A * 2/1995 Schroeder A63B 63/083
248/158
 - 6,179,733 B1 1/2001 Story
 - 6,302,811 B1 * 10/2001 Topham A63B 63/083
248/280.11
 - 6,699,146 B1 * 3/2004 Winter A63B 63/083
248/280.11
 - D529,558 S * 10/2006 White D21/702
 - 7,393,293 B2 7/2008 Guerzini et al.
 - 8,523,715 B2 9/2013 Elpers
 - 8,708,844 B2 4/2014 Nye et al.
- (Continued)

FOREIGN PATENT DOCUMENTS

CA 2986724 A1 * 7/2018 A63B 63/083

Primary Examiner — Catherine A Tuttle

(74) *Attorney, Agent, or Firm* — Woodard, Emhardt,
Henry, Reeves & Wagner, LLP; Charles Meyer

(57) **CLAIM**

The ornamental design for a basketball backboard support arm, as shown and described.

DESCRIPTION

FIG. 1 is a perspective view showing our new design for a basketball backboard support arm in association with a basketball goal;

FIG. 2 is an enlarged scale perspective view showing the basketball backboard support arm separately from the basketball goal;

FIG. 3 is a right side view thereof.

FIG. 4 is a left side view thereof.

FIG. 5 is a lower end view thereof.

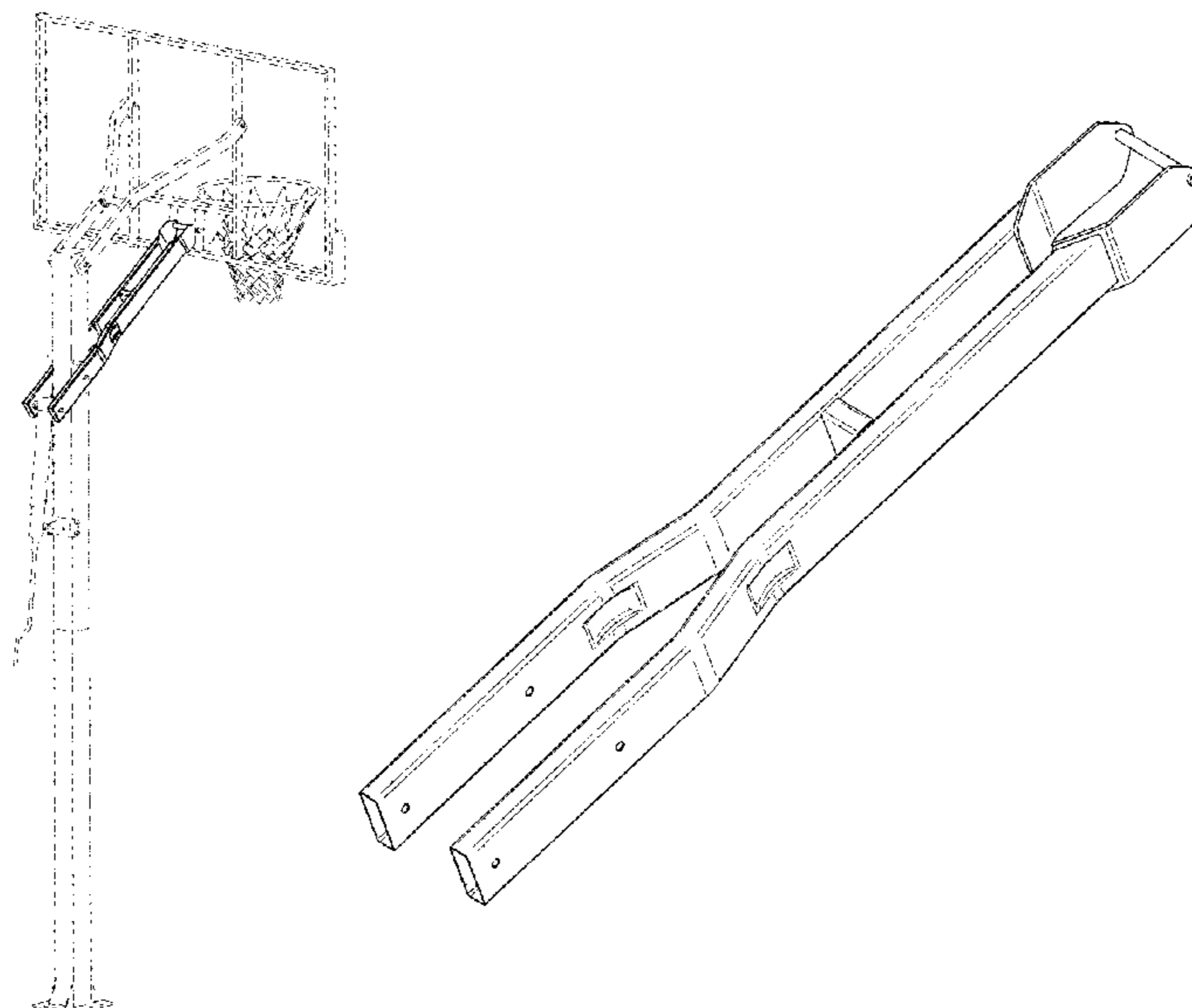
FIG. 6 is an upper end view thereof.

FIG. 7 is a top view thereof; and,

FIG. 8 is a bottom view thereof.

The broken lines showing the basketball goal are for illustrative purposes only, and form no part of the claimed design.

1 Claim, 4 Drawing Sheets



(56)

References Cited

U.S. PATENT DOCUMENTS

D745,098 S * 12/2015 Connerley D21/701
10,052,540 B2 8/2018 Elpers et al.
2001/0024984 A1* 9/2001 Stanford A63B 63/083
473/484
2002/0094890 A1* 7/2002 White A63B 63/083
473/483
2005/0215357 A1* 9/2005 Guerzini A63B 63/083
473/481
2006/0009316 A1* 1/2006 Tien A63B 63/083
473/481
2007/0010356 A1* 1/2007 Moller, Jr. A63B 63/083
473/483
2007/0225092 A1* 9/2007 Watson A63B 63/083
473/481
2015/0165301 A1* 6/2015 Maisey A63B 71/023
473/481
2018/0333625 A1* 11/2018 Elpers A63B 63/083

* cited by examiner

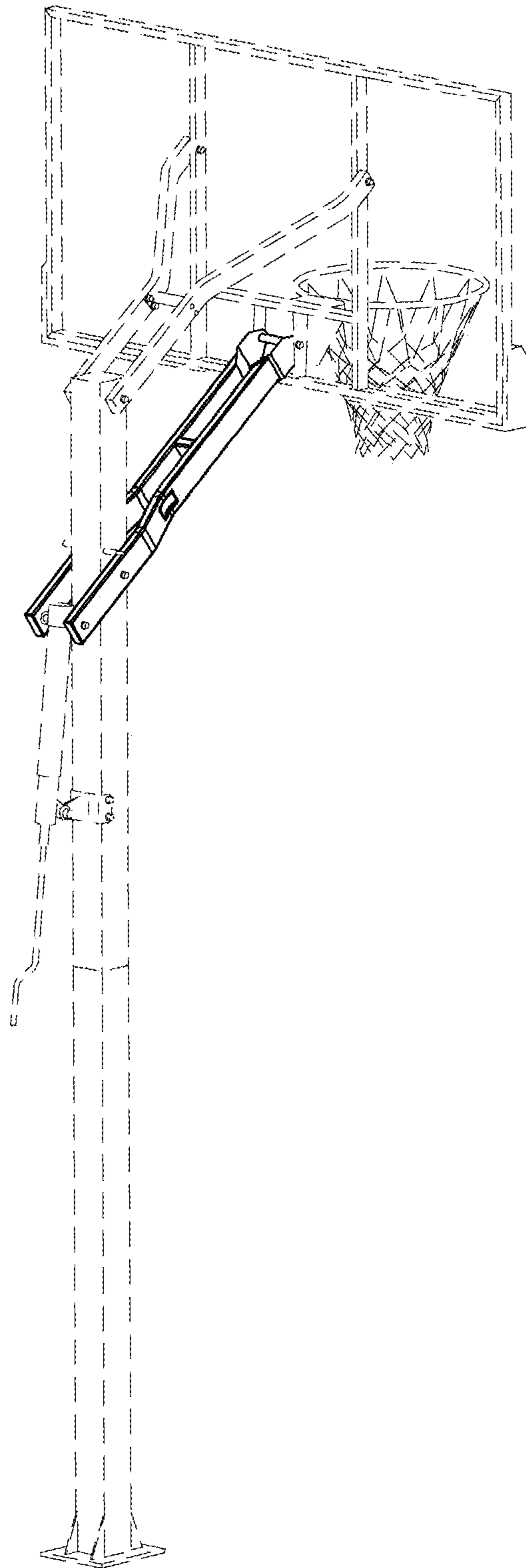


Fig. 1

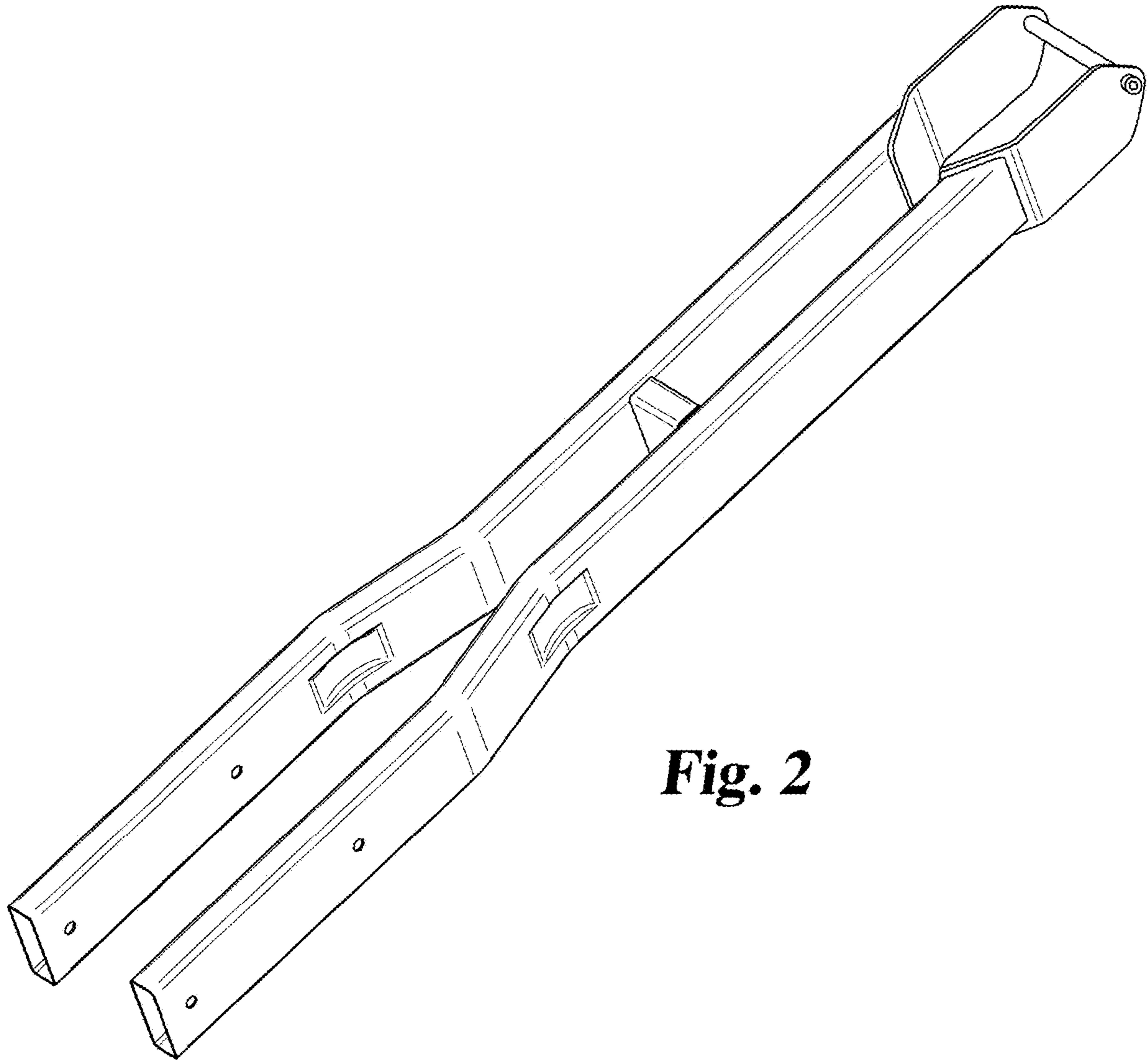


Fig. 2

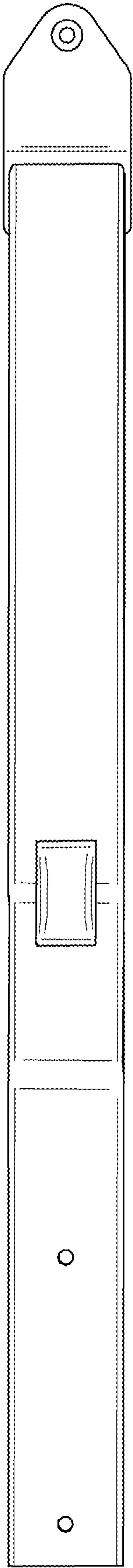


Fig. 3

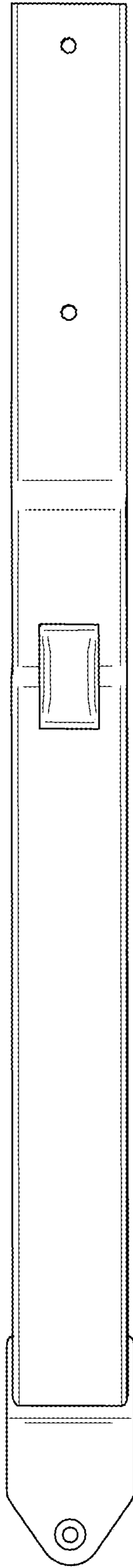


Fig. 4

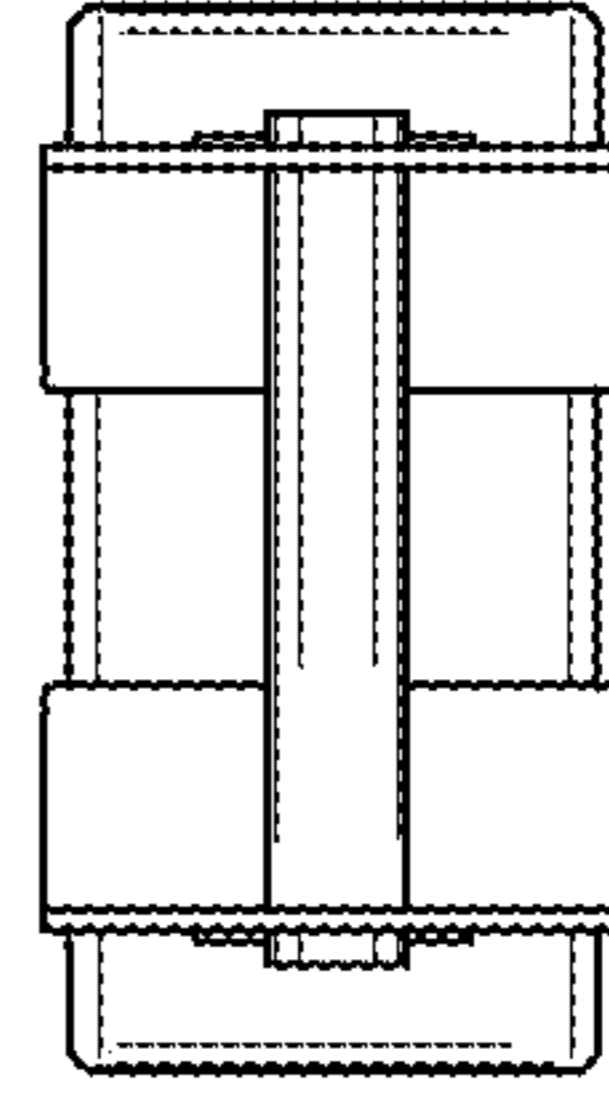


Fig. 6

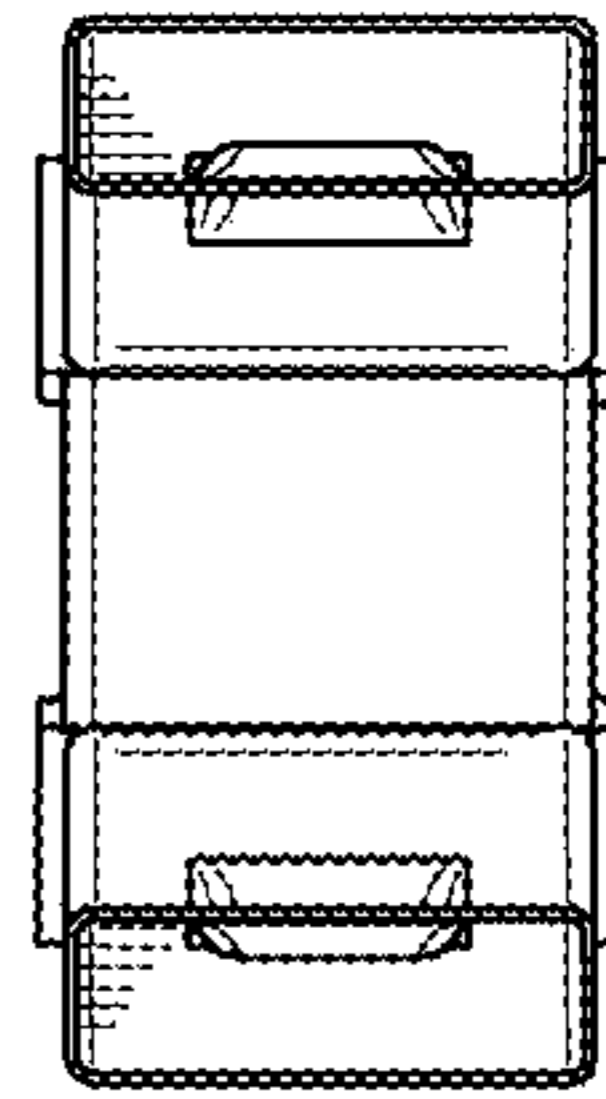


Fig. 5

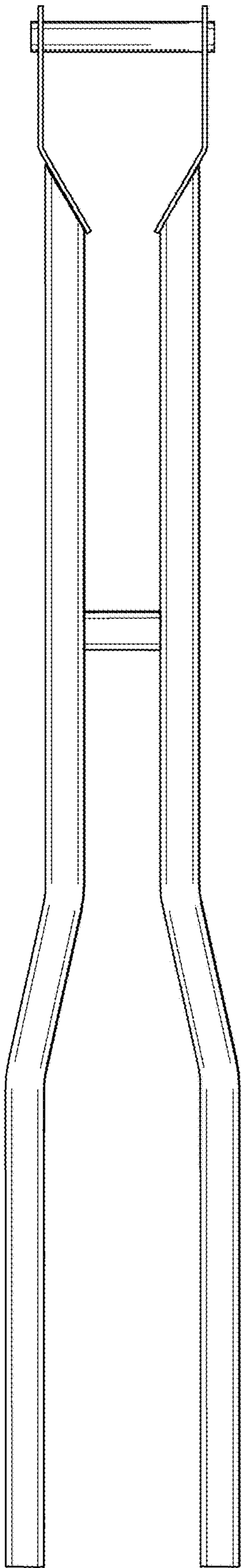


Fig. 7

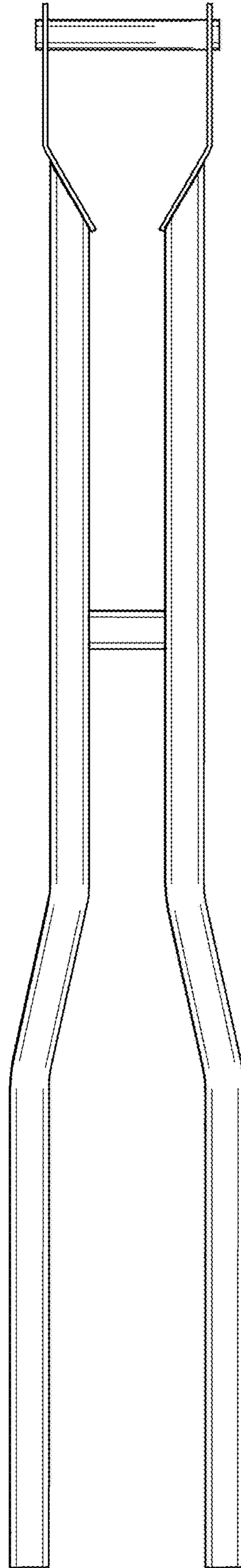


Fig. 8