



US00D881302S

(12) **United States Design Patent** (10) **Patent No.:** **US D881,302 S**  
**Greene** (45) **Date of Patent:** **\*\* Apr. 14, 2020**

(54) **DUMBBELL YOKE**  
(71) Applicant: **Benjamin O. Greene**, Fort Worth, TX (US)  
(72) Inventor: **Benjamin O. Greene**, Fort Worth, TX (US)  
(\*\*) Term: **15 Years**  
(21) Appl. No.: **29/660,647**  
(22) Filed: **Aug. 22, 2018**  
(51) **LOC (12) Cl.** ..... **21-02**  
(52) **U.S. Cl.**  
USPC ..... **D21/694**  
(58) **Field of Classification Search**  
USPC ..... 482/92, 94, 104, 106, 107; D3/215;  
D6/323; D8/349, 354, 363, 371, 373,  
D8/380, 382; D21/686, 694; D25/68  
CPC ..... A63B 21/072; A63B 21/16; F16B 1/00;  
F16B 12/10; F16B 12/56  
See application file for complete search history.

D374,739 S \* 10/1996 Blanton ..... D8/349  
D374,808 S \* 10/1996 Ungar ..... D8/349  
D375,471 S \* 11/1996 Page, Jr. .... D12/114  
D375,718 S \* 11/1996 Lazzeroni ..... D8/349  
D384,877 S \* 10/1997 Perrin ..... D8/354  
D402,534 S \* 12/1998 McCoy ..... D8/354  
D408,721 S \* 4/1999 Sartini ..... D8/363  
D408,722 S \* 4/1999 Sartini ..... D8/363  
D436,311 S \* 1/2001 Edvardsson ..... D8/382  
D442,471 S \* 5/2001 Willett ..... D8/354  
D442,908 S \* 5/2001 Nickel ..... D12/223  
D474,958 S \* 5/2003 Perdue ..... D8/349  
D529,792 S \* 10/2006 Klein ..... D8/373  
7,201,711 B2 4/2007 Towley, III et al.  
D547,642 S \* 7/2007 Urmson, Jr. .... D8/382  
D628,247 S \* 11/2010 de Boers ..... D21/686  
D628,539 S \* 12/2010 Tezak ..... D8/349  
8,047,971 B2 11/2011 Parker  
8,870,727 B2 \* 10/2014 Palmer ..... A63B 21/02  
482/92  
D716,641 S \* 11/2014 Goodman ..... D8/371

(Continued)

*Primary Examiner* — Cynthia Ramirez  
*Assistant Examiner* — Michael A Maharajh  
(74) *Attorney, Agent, or Firm* — Cramer Patent & Design, PLLC; Aaron R. Cramer

(56) **References Cited**

U.S. PATENT DOCUMENTS

4,029,312 A 6/1977 Wright  
4,278,225 A \* 7/1981 Phelps ..... A61J 1/06  
D8/371  
D268,314 S \* 3/1983 Smith ..... D8/349  
D271,034 S \* 10/1983 Holcombe, Jr. .... D21/694  
D274,978 S \* 8/1984 Preisler ..... D8/349  
D294,914 S \* 3/1988 Chase ..... D8/373  
4,743,017 A 5/1988 Jaeger  
D301,686 S \* 6/1989 Long ..... 248/115  
D319,004 S \* 8/1991 Schenker ..... D8/371  
D321,124 S \* 10/1991 Gary ..... D8/373  
D322,211 S \* 12/1991 Gary ..... D8/373  
D331,186 S \* 11/1992 Sachs ..... D8/380  
D342,011 S \* 12/1993 Maguire ..... D8/349  
5,421,797 A 6/1995 Fletcher

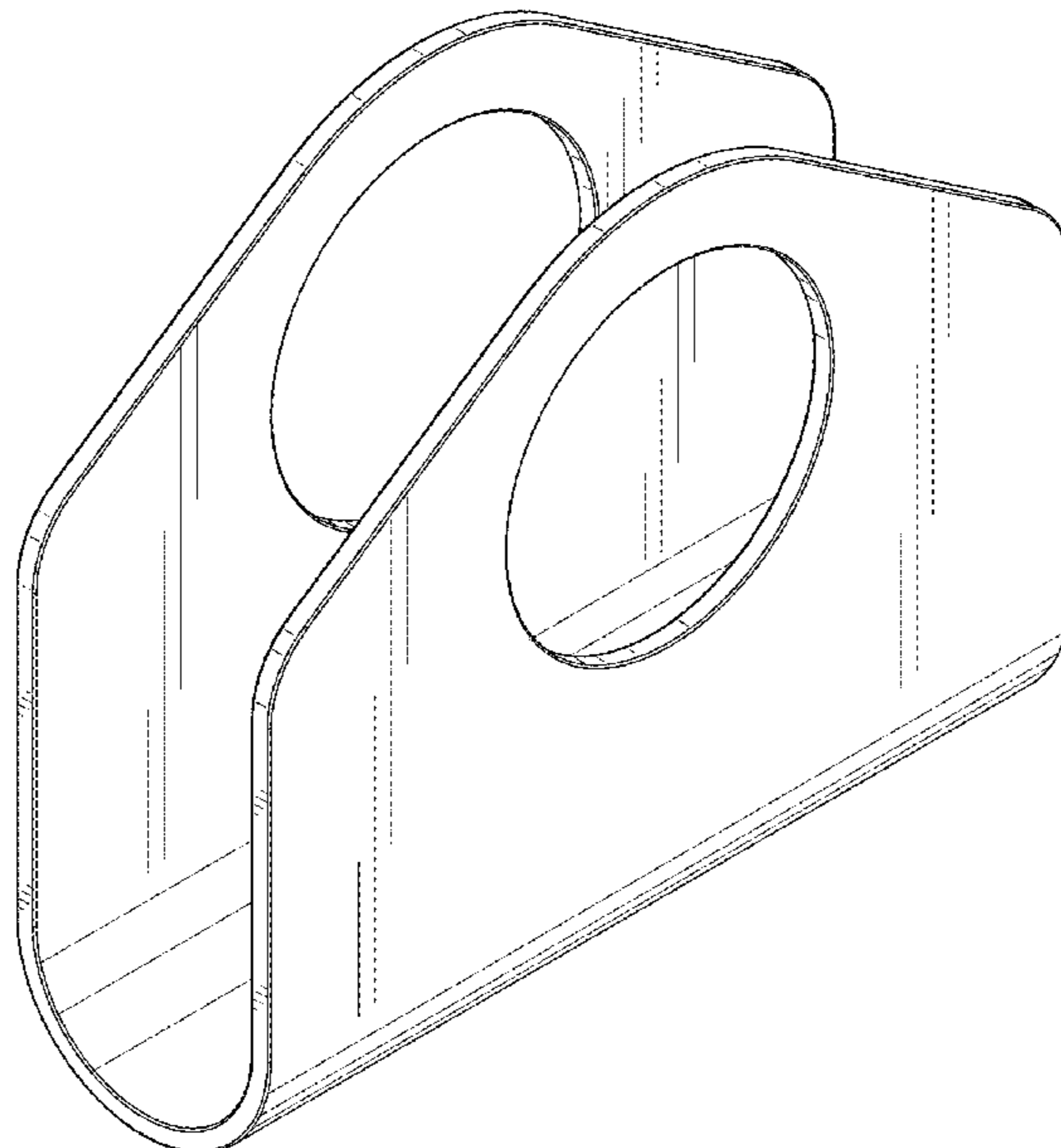
(57) **CLAIM**

The ornamental design for a dumbbell yoke, as shown and described.

**DESCRIPTION**

FIG. 1 is a perspective top front right view of a dumbbell yoke, showing my new design;  
FIG. 2 is a right elevation view thereof, wherein the left elevation view is an identical image thereof;  
FIG. 3 is a front elevation view thereof, wherein the rear elevation view is an identical image thereof;  
FIG. 4 is a top plan view thereof; and,  
FIG. 5 is a bottom plan view thereof.

**1 Claim, 5 Drawing Sheets**



(56)

References Cited

U.S. PATENT DOCUMENTS

D735,558	S *	8/2015	Kopp .....	D8/354
D737,116	S *	8/2015	Lussier .....	D8/349
9,126,079	B2	9/2015	Jordan	
9,138,610	B2	9/2015	Lovegrove et al.	
D747,177	S *	1/2016	McGinty .....	D8/349
D762,105	S *	7/2016	Prevost .....	D8/349
D793,215	S *	8/2017	Gallion .....	D8/394
D805,369	S *	12/2017	Vassar .....	D8/349
9,895,571	B2	2/2018	Wang	
D819,427	S *	6/2018	Mercaldi .....	D8/354
D829,079	S *	9/2018	Halling .....	D8/349
D836,511	S *	12/2018	Maeda .....	D8/354
10,158,218	B2 *	12/2018	Vaccaro .....	F16B 1/00
D841,695	S *	2/2019	Pirolo .....	D15/5
D842,946	S *	3/2019	Hetrick .....	D21/694
D845,113	S *	4/2019	Salter .....	D8/371
D855,441	S *	8/2019	Schmonsees .....	D8/349
D866,299	S *	11/2019	Kovacs .....	D8/354
D866,300	S *	11/2019	Mercier .....	D8/354
2016/0265714	A1 *	9/2016	Wyndon .....	H02G 3/32
2016/0281881	A1 *	9/2016	Vaccaro .....	F16B 1/00

\* cited by examiner

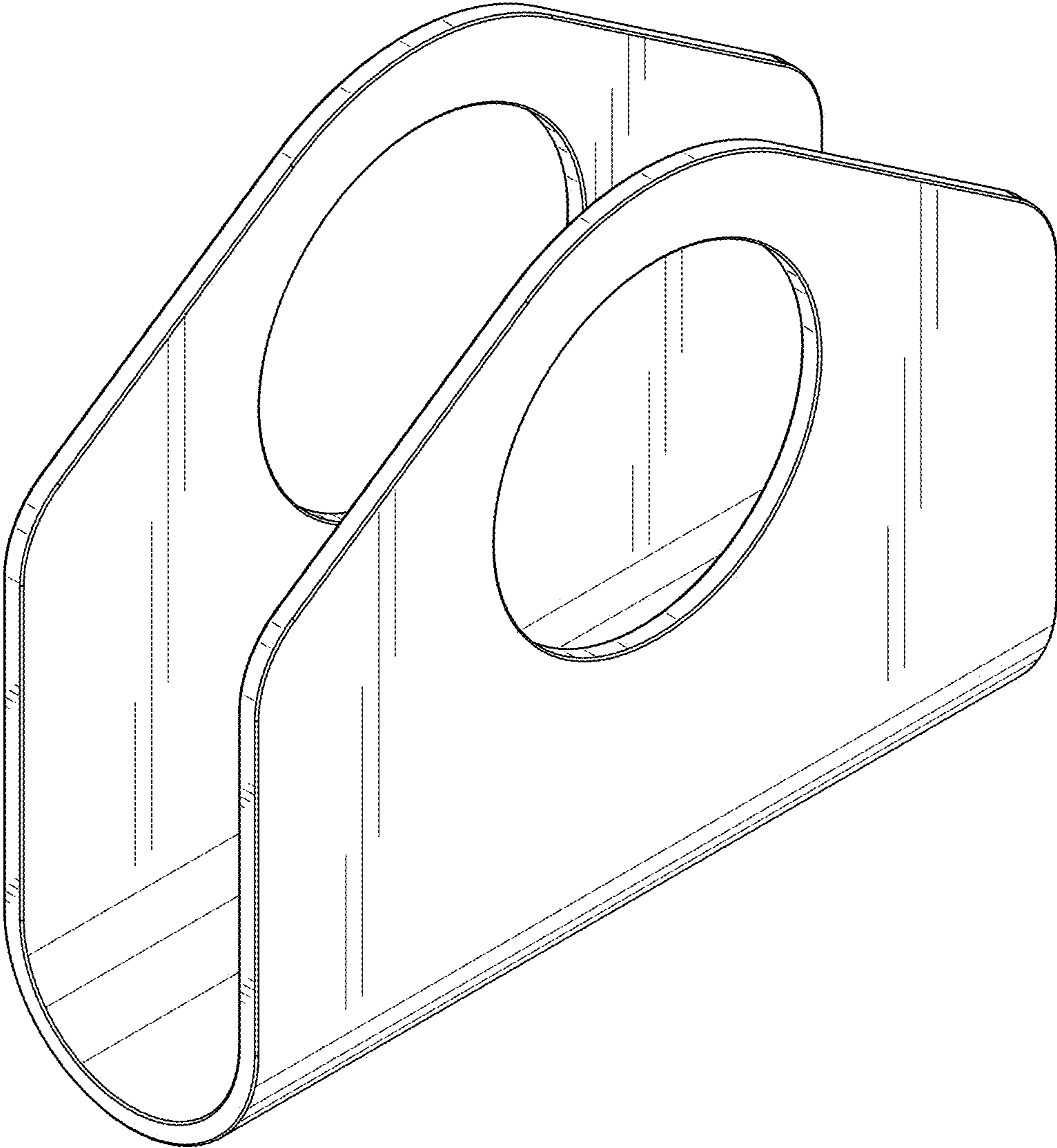


FIG. 1

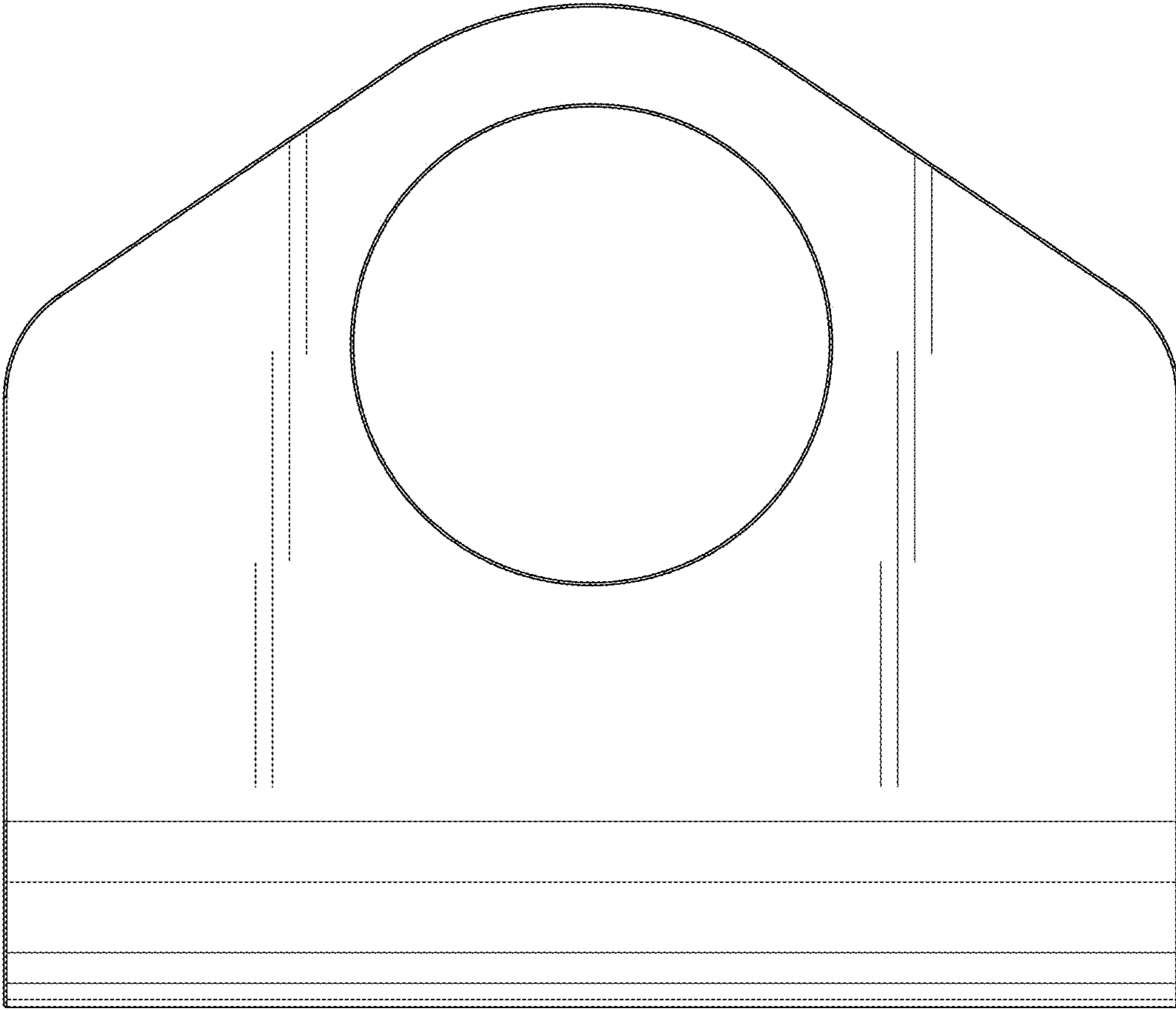


FIG. 2

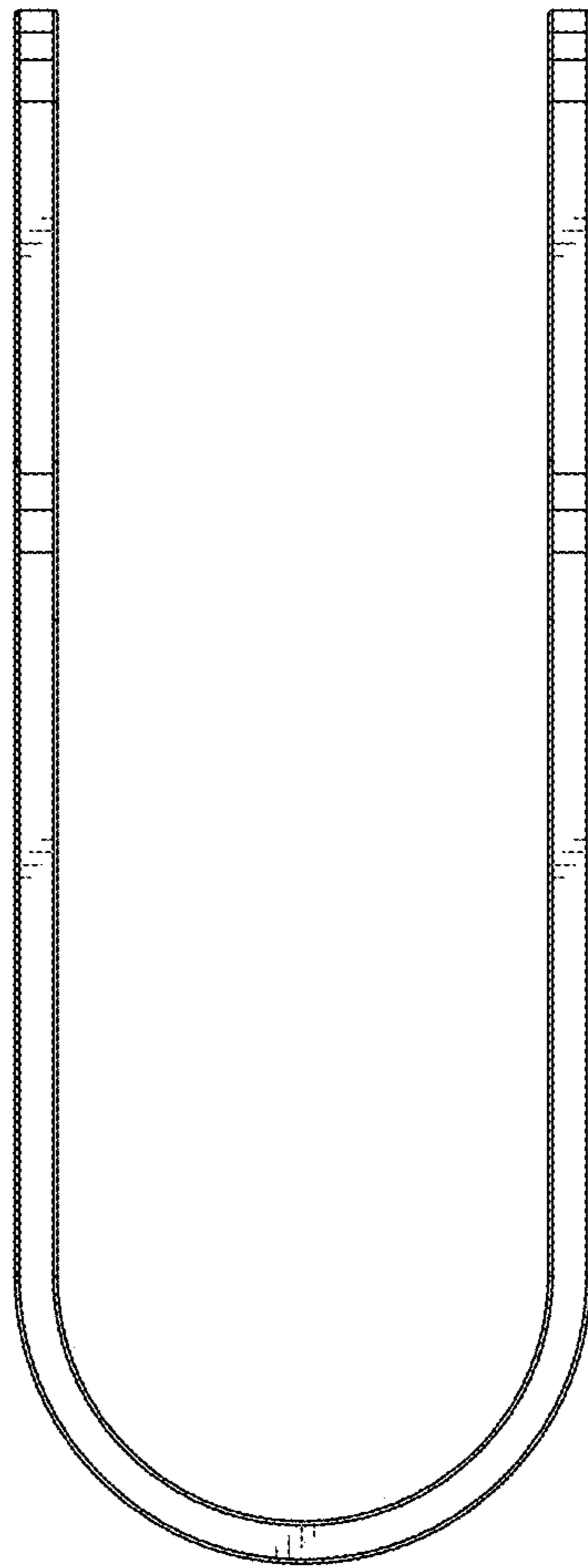


FIG. 3

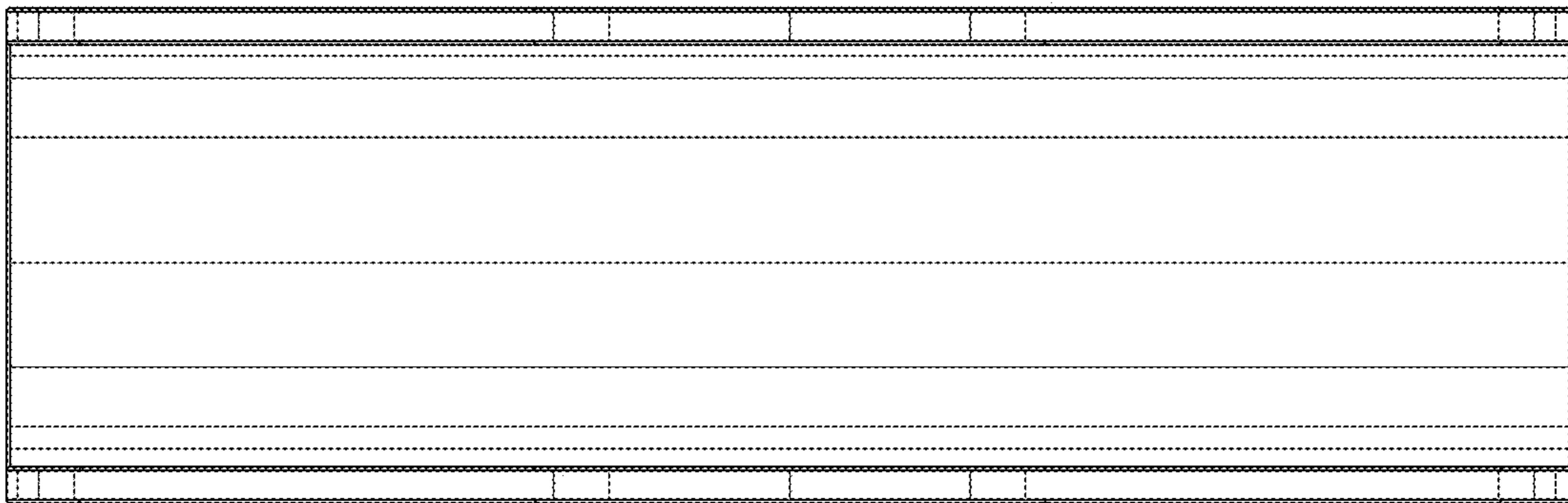


FIG. 4

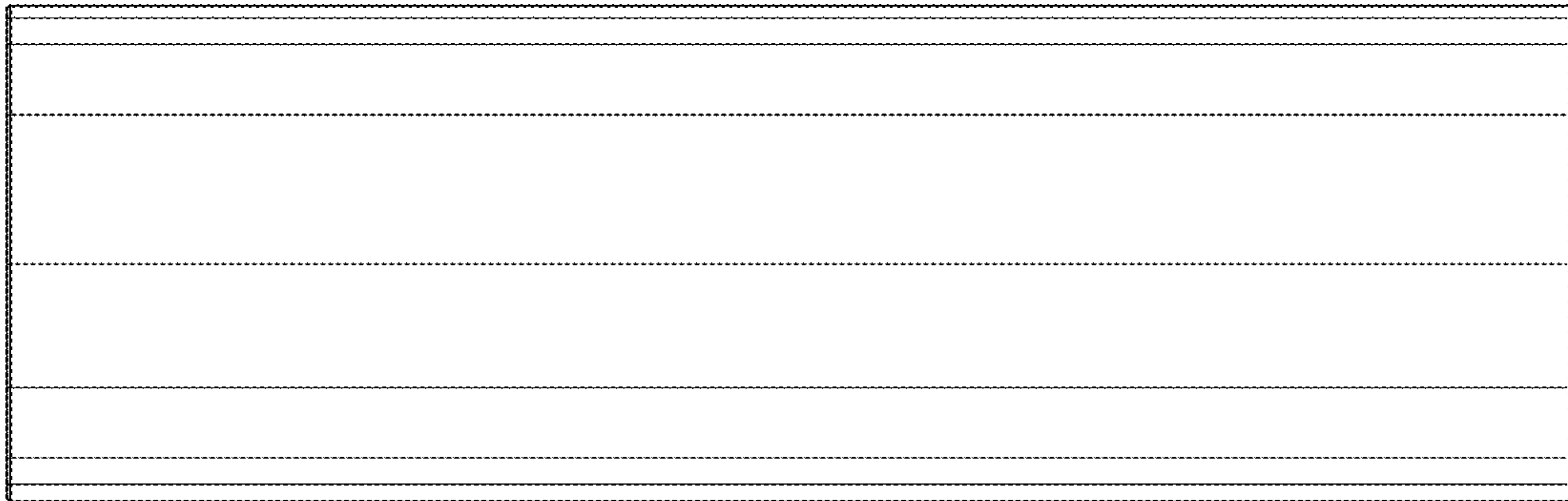


FIG. 5