



US00D881301S

(12) **United States Design Patent** (10) **Patent No.:** **US D881,301 S**
Jin (45) **Date of Patent:** **** Apr. 14, 2020**

(54) **RESISTANCE BANDS WITH CUFFS**
 (71) Applicant: **Qiuwang Jin**, Shenzhen (CN)
 (72) Inventor: **Qiuwang Jin**, Shenzhen (CN)
 (**) Term: **15 Years**
 (21) Appl. No.: **29/715,183**
 (22) Filed: **Nov. 28, 2019**
 (51) **LOC (12) Cl.** **21-02**
 (52) **U.S. Cl.**
 USPC **D21/692**
 (58) **Field of Classification Search**
 USPC D21/797, 698, 662, 683; 482/23, 48,
 482/139, 44, 105; 2/161.1, 162, 170,
 2/917, 16, 20; D8/330, 303; D20/22;
 D29/113, 120.1, 791, 797, 190, 117.1;
 473/205; D24/190
 See application file for complete search history.

(56) **References Cited**

U.S. PATENT DOCUMENTS

930,768	A *	8/1909	Kelly	A61B 17/42 601/45
3,988,020	A	10/1976	Carter		
4,090,706	A *	5/1978	Reda	A63B 21/0004 482/122
4,685,671	A *	8/1987	Hagerman	A63B 21/04 482/124
4,848,117	A	7/1989	Welborn et al.		
5,258,017	A *	11/1993	Myers	A61H 1/0218 482/131
D342,560	S	12/1993	Cross		
5,653,668	A *	8/1997	Wilkinson	A63B 21/0004 482/121
5,704,856	A *	1/1998	Morse	A63B 21/0004 473/212
5,813,954	A *	9/1998	Wilkinson	A63B 21/0004 482/124

6,036,625	A *	3/2000	Woodruff	A63B 21/0552 482/121
D590,038	S *	4/2009	Jarosik	D21/780
D606,602	S *	12/2009	Marotta	D21/698
7,749,141	B2 *	7/2010	Meisterling	A63B 21/0004 482/121
D644,280	S *	8/2011	Marotta	D21/662
D664,611	S *	7/2012	Pinskiy	D21/662
D664,612	S *	7/2012	Pinskiy	D21/662
D685,950	S *	7/2013	Sparkes	D29/101.1
D694,414	S *	11/2013	Sparkes	D24/190
D699,406	S *	2/2014	Stolte	D30/153
D726,841	S *	4/2015	Wright	D21/662
9,272,178	B2 *	3/2016	Pinder	A63B 21/0407
9,427,622	B2 *	8/2016	Thrasher-Rudd	A63B 21/00061
D794,148	S *	8/2017	Barlow-Gamble	D21/780
D850,546	S *	6/2019	Reese	D21/694

(Continued)

Primary Examiner — Ryan Harvey

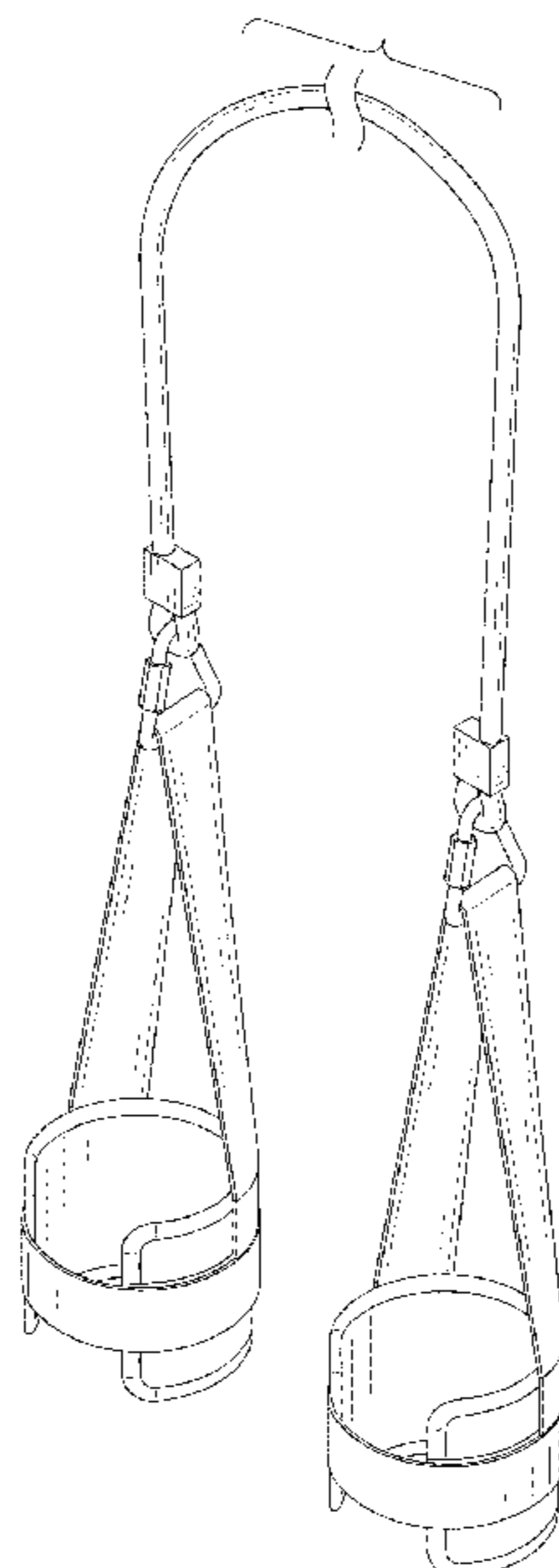
(57) **CLAIM**

The ornamental design for a resistance bands with cuffs, as shown and described.

DESCRIPTION

FIG. 1 is a front perspective view of a resistance bands with cuffs showing my new design;
 FIG. 2 is a rear perspective view thereof;
 FIG. 3 is a front elevational view thereof;
 FIG. 4 is a rear elevational view thereof;
 FIG. 5 is a left side elevational view thereof;
 FIG. 6 is a right side elevational view thereof;
 FIG. 7 is a top plan view thereof; and,
 FIG. 8 is a bottom plan view thereof.
 The claimed design is shown with a symbolic break in its length. The appearance of any portion of the article between the break lines forms no part of the claimed design.

1 Claim, 8 Drawing Sheets



(56)

References Cited

U.S. PATENT DOCUMENTS

10,471,296 B2 * 11/2019 Burkinshaw A63B 21/4009
 D872,200 S * 1/2020 Antezana D21/692
 2004/0204302 A1 * 10/2004 Flynn A63B 21/0004
 482/124
 2005/0085350 A1 * 4/2005 Shen A63B 23/00
 482/91
 2005/0277527 A1 * 12/2005 Gregerson A61H 1/024
 482/124
 2006/0183609 A1 * 8/2006 Flynn A63B 21/0004
 482/124
 2008/0039303 A1 * 2/2008 Wilcocks A63B 21/0552
 482/124
 2008/0139369 A1 * 6/2008 Vigilia A63B 21/0004
 482/124
 2008/0154166 A1 * 6/2008 Beckwith A61F 5/0113
 602/27

2010/0317495 A1 * 12/2010 DiGiovanni A63B 21/0552
 482/129
 2011/0092347 A1 * 4/2011 Kassel A63B 21/0552
 482/121
 2012/0220435 A1 * 8/2012 Sweeney A63B 21/0023
 482/121
 2012/0232449 A1 * 9/2012 Arnstein A61H 1/0266
 602/16
 2012/0258844 A1 * 10/2012 Petrone A63B 23/04
 482/124
 2013/0303344 A1 * 11/2013 Rasnake A63B 21/02
 482/124
 2014/0057743 A1 * 2/2014 Leggett A63B 69/0002
 473/458
 2014/0171276 A1 * 6/2014 Strachan A63B 21/0557
 482/124
 2018/0178049 A1 * 6/2018 Marquez A63B 21/0442
 2019/0201732 A1 * 7/2019 Chang A63B 21/00065

* cited by examiner

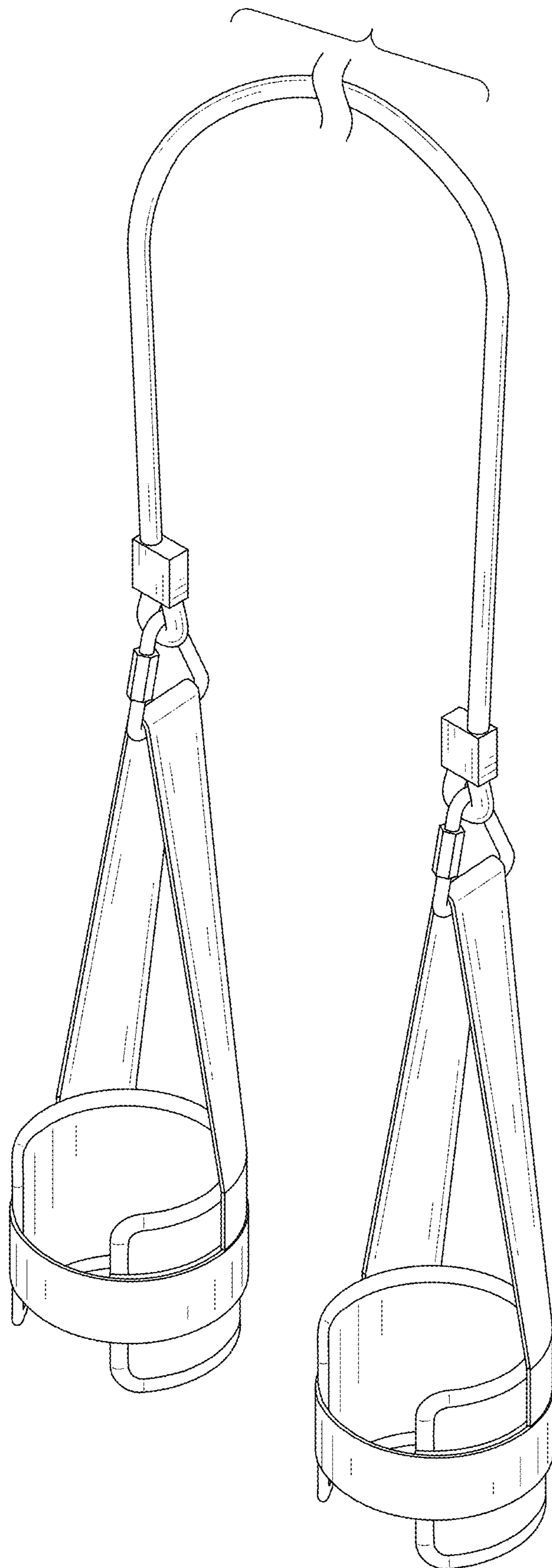


FIG. 1

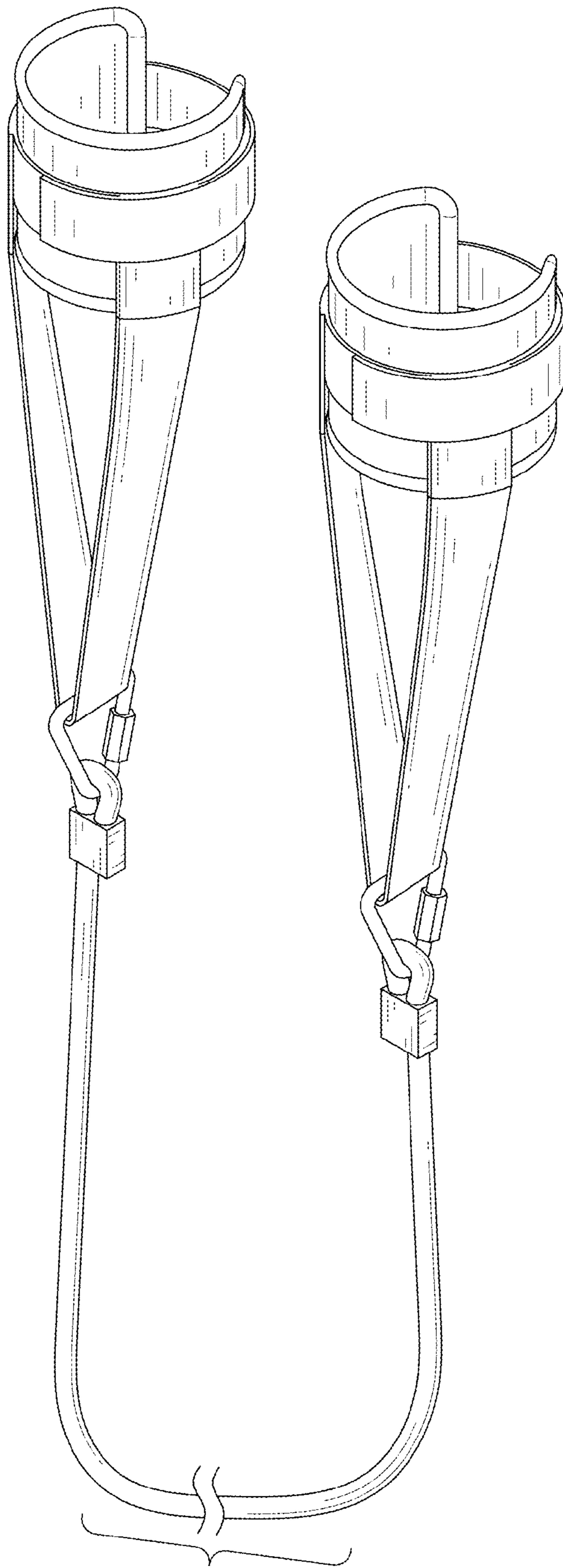


FIG. 2

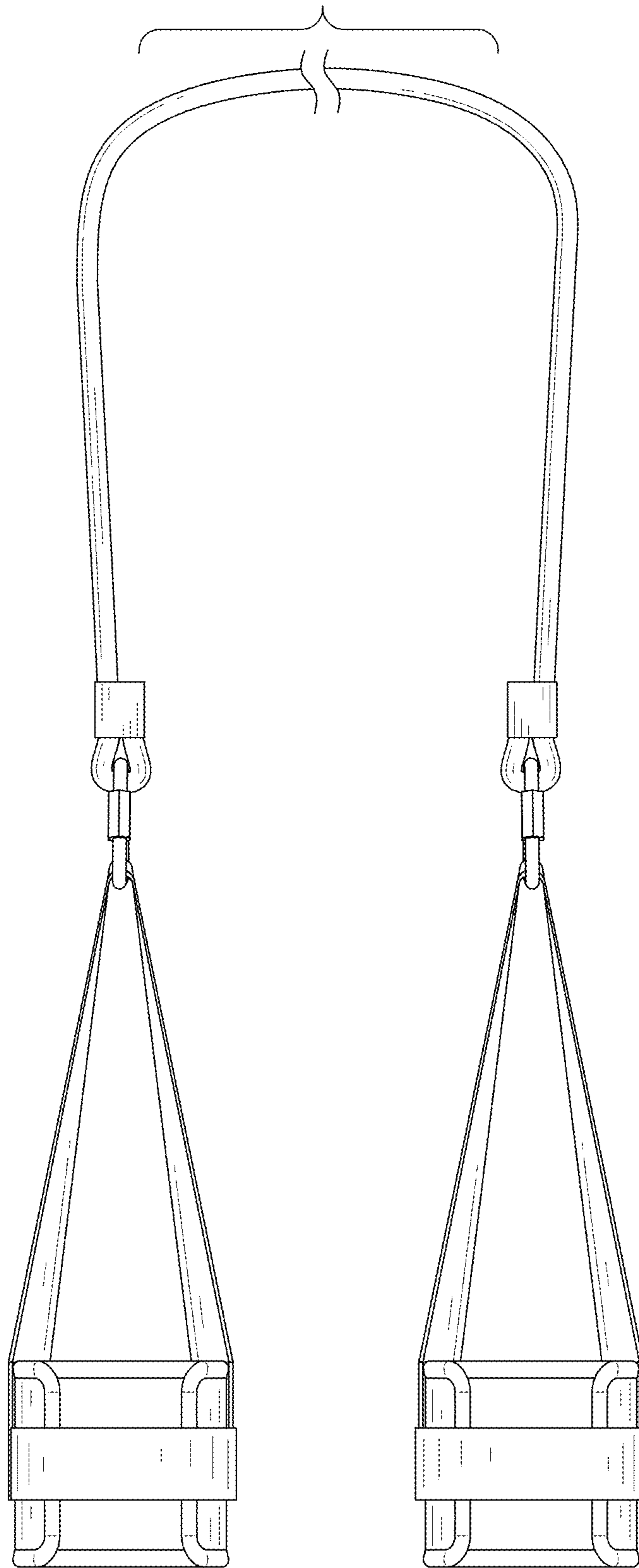


FIG. 3

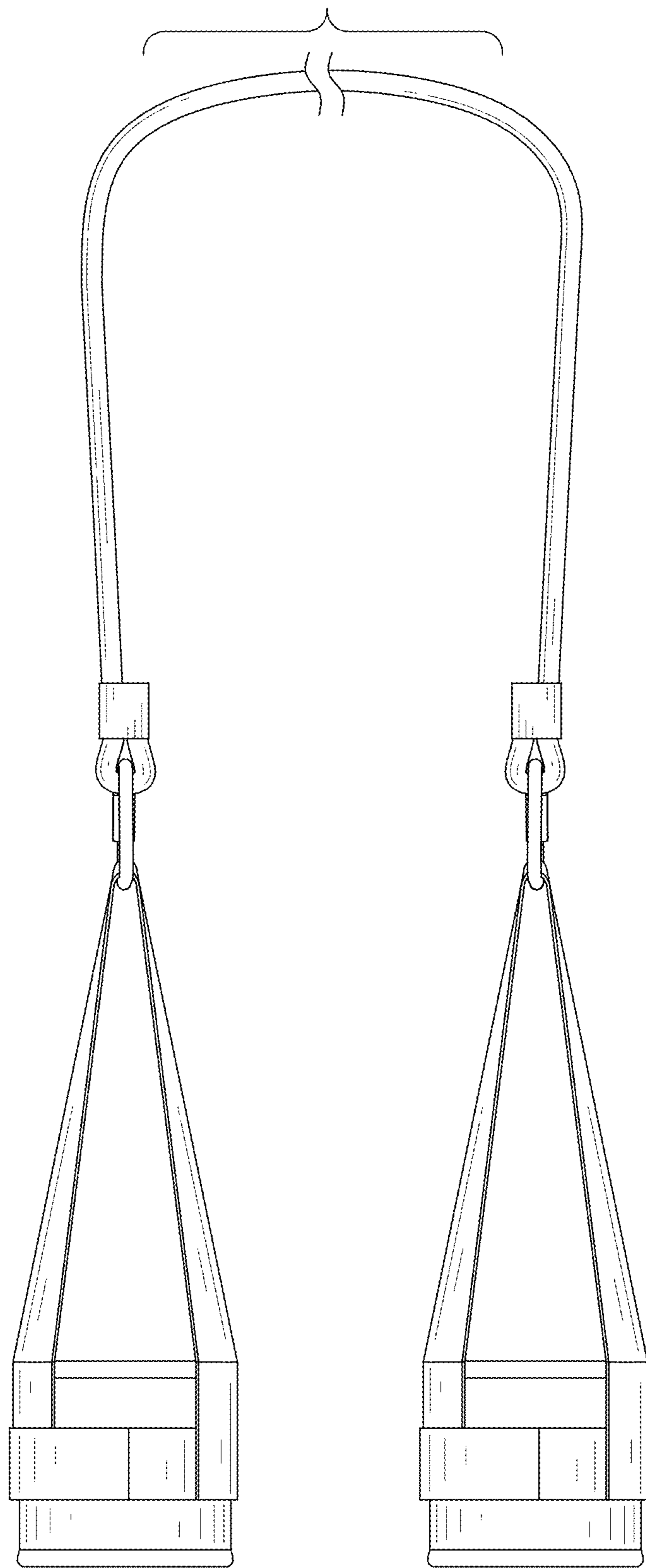


FIG. 4

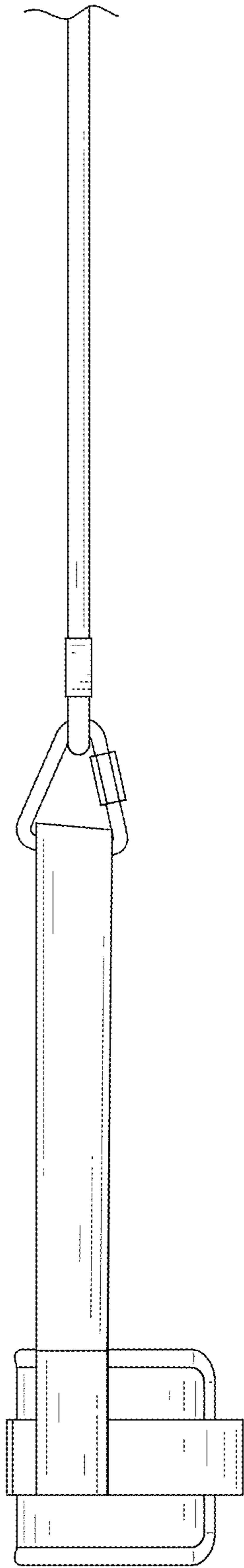


FIG. 5

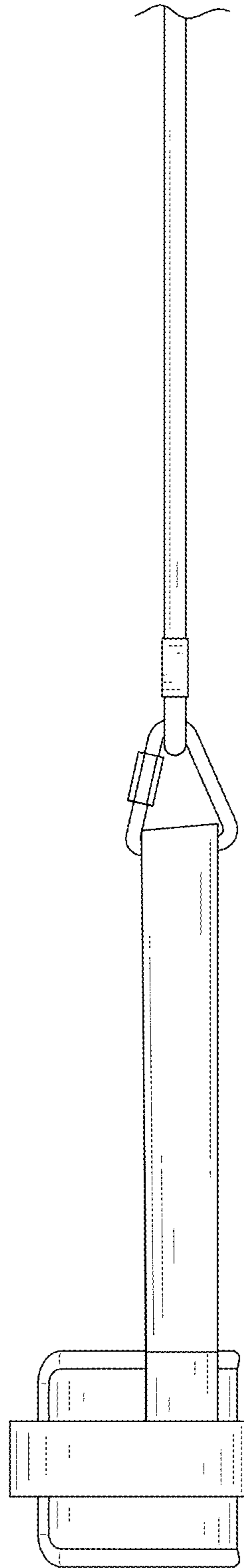


FIG. 6

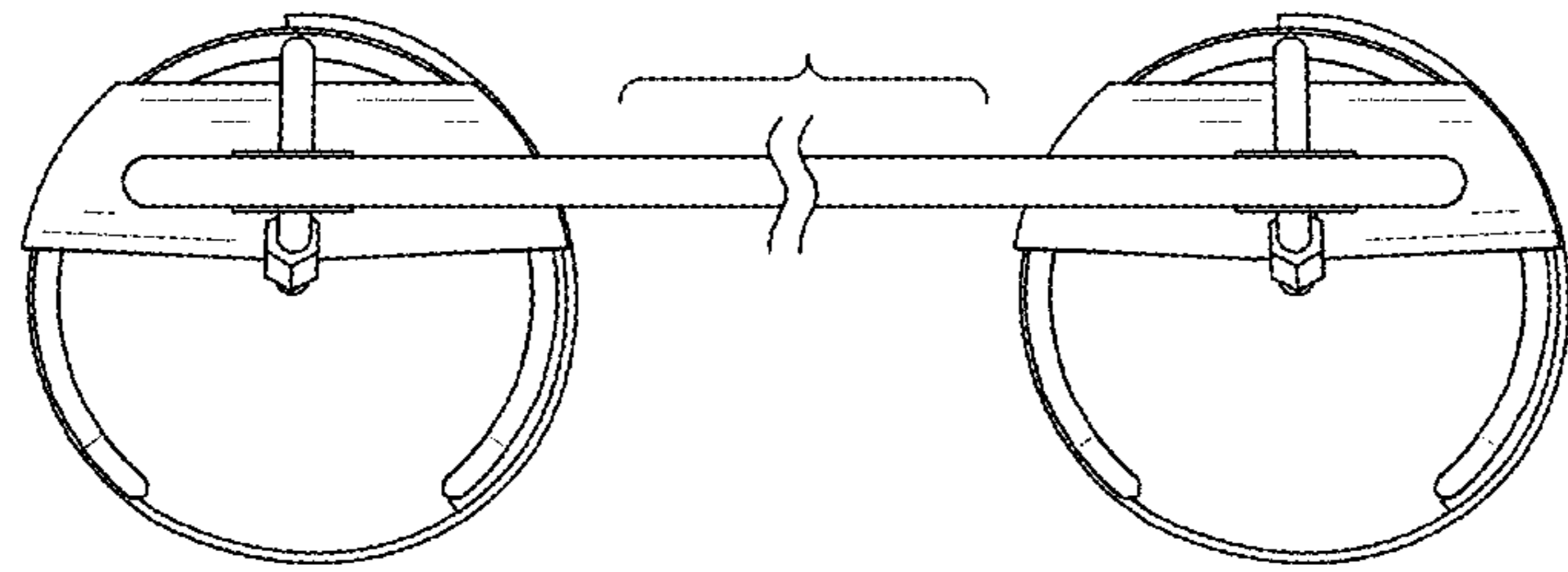


FIG. 7

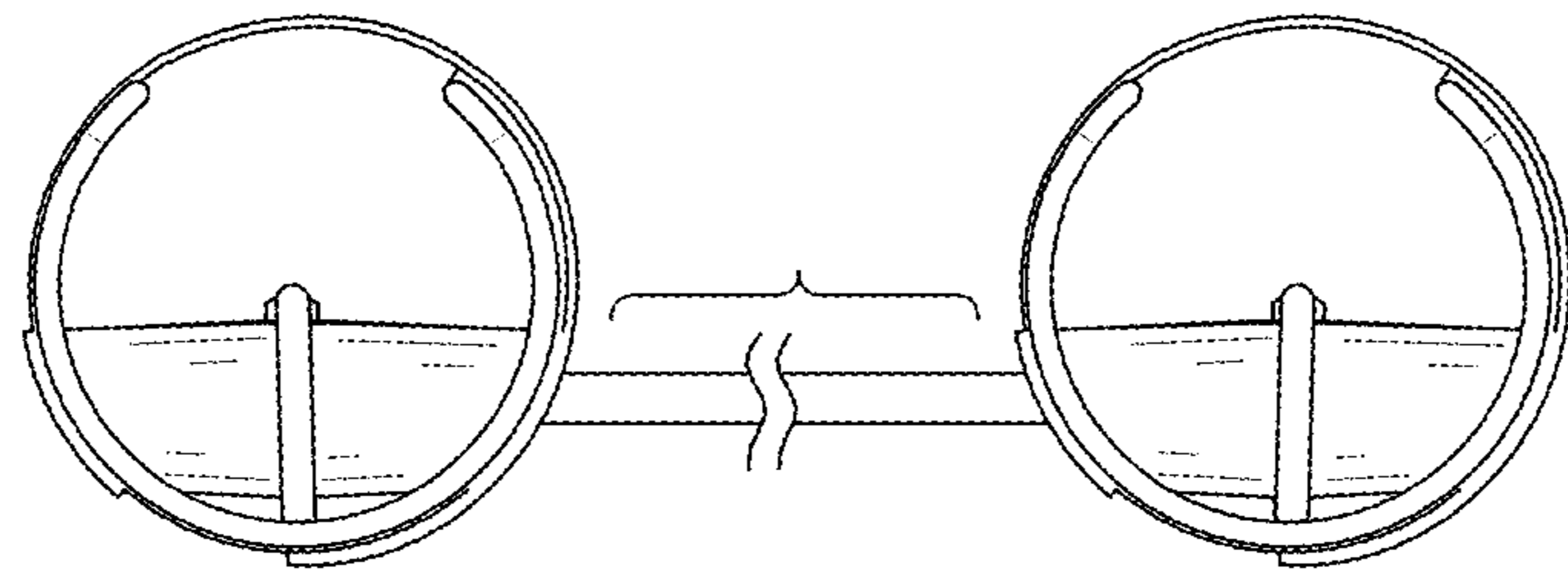


FIG. 8