



US00D881300S

(12) **United States Design Patent** (10) **Patent No.:** **US D881,300 S**
Jin (45) **Date of Patent:** **** Apr. 14, 2020**

(54) **SPORT BELT WITH RESISTANCE BANDS**

(71) Applicant: **Qiuwang Jin**, Shenzhen (CN)

(72) Inventor: **Qiuwang Jin**, Shenzhen (CN)

(**) Term: **15 Years**

(21) Appl. No.: **29/715,160**

(22) Filed: **Nov. 27, 2019**

(51) **LOC (12) Cl.** **21-02**

(52) **U.S. Cl.**
USPC **D21/692**

(58) **Field of Classification Search**
USPC D21/797, 698, 662, 683; 482/23, 48,
482/139, 44, 105; 2/161.1, 162, 170,
2/917, 16, 20; D8/330, 303; D20/22;
D29/113, 120.1, 791, 797, 190, 117.1;
473/205; D24/190

See application file for complete search history.

(56) **References Cited**

U.S. PATENT DOCUMENTS

- 930,768 A * 8/1909 Kelly A61B 17/42
601/45
- 4,090,706 A * 5/1978 Reda A63B 21/0004
482/122
- 4,685,671 A * 8/1987 Hagerman A63B 21/04
482/124
- 5,258,017 A * 11/1993 Myers A61H 1/0218
482/131
- 5,653,668 A * 8/1997 Wilkinson A63B 21/0004
482/121
- 5,704,856 A * 1/1998 Morse A63B 21/0004
473/212
- 5,813,954 A * 9/1998 Wilkinson A63B 21/0004
482/124
- D407,866 S 4/1999 Perrulli
- 6,036,625 A * 3/2000 Woodruff A63B 21/0552
482/121
- D590,038 S * 4/2009 Jarosik D21/780

- D606,602 S * 12/2009 Marotta D21/698
- 7,749,141 B2 * 7/2010 Meisterling A63B 21/0004
482/121
- D644,280 S * 8/2011 Marotta D21/662
- D653,028 S 1/2012 Willows
- D664,611 S * 7/2012 Pinskiy D21/662
- D664,612 S * 7/2012 Pinskiy D21/662
- D685,950 S * 7/2013 Sparkes D29/101.1
- D694,414 S * 11/2013 Sparkes D24/190
- D699,406 S * 2/2014 Stolte D30/153
- D726,841 S * 4/2015 Wright D21/662

(Continued)

Primary Examiner — Ryan Harvey

(57) **CLAIM**

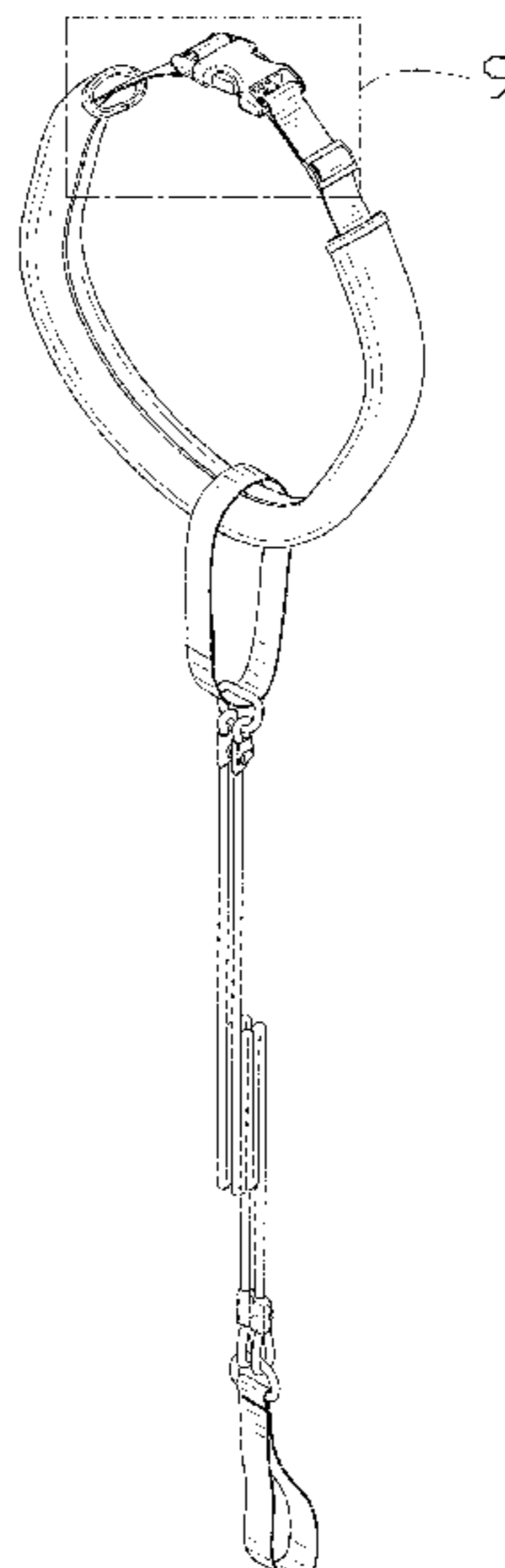
The ornamental design for a sport belt with resistance bands, as shown and described.

DESCRIPTION

FIG. 1 is a front perspective view of a sport belt with resistance bands showing my new design; FIG. 2 is a rear perspective view thereof; FIG. 3 is a front elevational view thereof; FIG. 4 is a rear elevational view thereof; FIG. 5 is a left side elevational view thereof; FIG. 6 is a right side elevational view thereof; FIG. 7 is a top plan view thereof; FIG. 8 is a bottom plan view thereof; FIG. 9 is an enlarged view of a rectangular portion IX of FIG. 1; FIG. 10 is an enlarged view of a rectangular portion X of FIG. 2; and, FIG. 11 is an enlarged view of a rectangular portion XI of FIG. 2.

The broken lines in the drawings depict portions of the sport belt with resistance bands that form no part of the claimed design.

1 Claim, 11 Drawing Sheets



(56)

References Cited

U.S. PATENT DOCUMENTS

9,272,178 B2 * 3/2016 Pinder A63B 21/0407
 9,427,622 B2 * 8/2016 Thrasher-Rudd
 A63B 21/00061
 D794,148 S * 8/2017 Barlow-Gamble D21/780
 D850,546 S * 6/2019 Reese D21/694
 D862,876 S 10/2019 Li
 10,471,296 B2 * 11/2019 Burkinshaw A63B 21/4009
 D872,200 S * 1/2020 Antezana D21/692
 2004/0204302 A1 * 10/2004 Flynn A63B 21/0004
 482/124
 2005/0085350 A1 * 4/2005 Shen A63B 23/00
 482/91
 2005/0277527 A1 * 12/2005 Gregerson A61H 1/024
 482/124
 2006/0183609 A1 * 8/2006 Flynn A63B 21/0004
 482/124
 2008/0039303 A1 * 2/2008 Wilcocks A63B 21/0552
 482/124
 2008/0139369 A1 * 6/2008 Vigilia A63B 21/0004
 482/124

2008/0154166 A1 * 6/2008 Beckwith A61F 5/0113
 602/27
 2010/0317495 A1 * 12/2010 DiGiovanni A63B 21/0552
 482/129
 2011/0092347 A1 * 4/2011 Kassel A63B 21/0552
 482/121
 2012/0220435 A1 * 8/2012 Sweeney A63B 21/0023
 482/121
 2012/0232449 A1 * 9/2012 Arnstein A61H 1/0266
 602/16
 2012/0258844 A1 * 10/2012 Petrone A63B 23/04
 482/124
 2013/0303344 A1 * 11/2013 Rasnake A63B 21/02
 482/124
 2014/0057743 A1 * 2/2014 Leggett A63B 69/0002
 473/458
 2014/0171276 A1 * 6/2014 Strachan A63B 21/0557
 482/124
 2018/0178049 A1 * 6/2018 Marquez A63B 21/0442
 2019/0201732 A1 * 7/2019 Chang A63B 21/00065

* cited by examiner

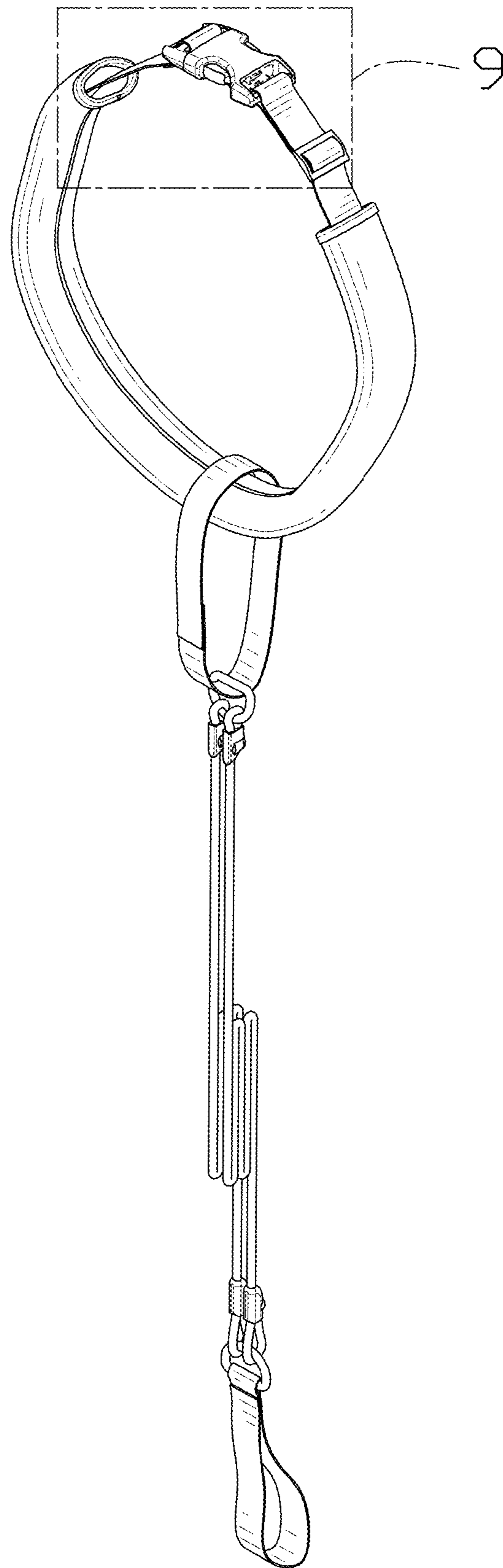


FIG. 1

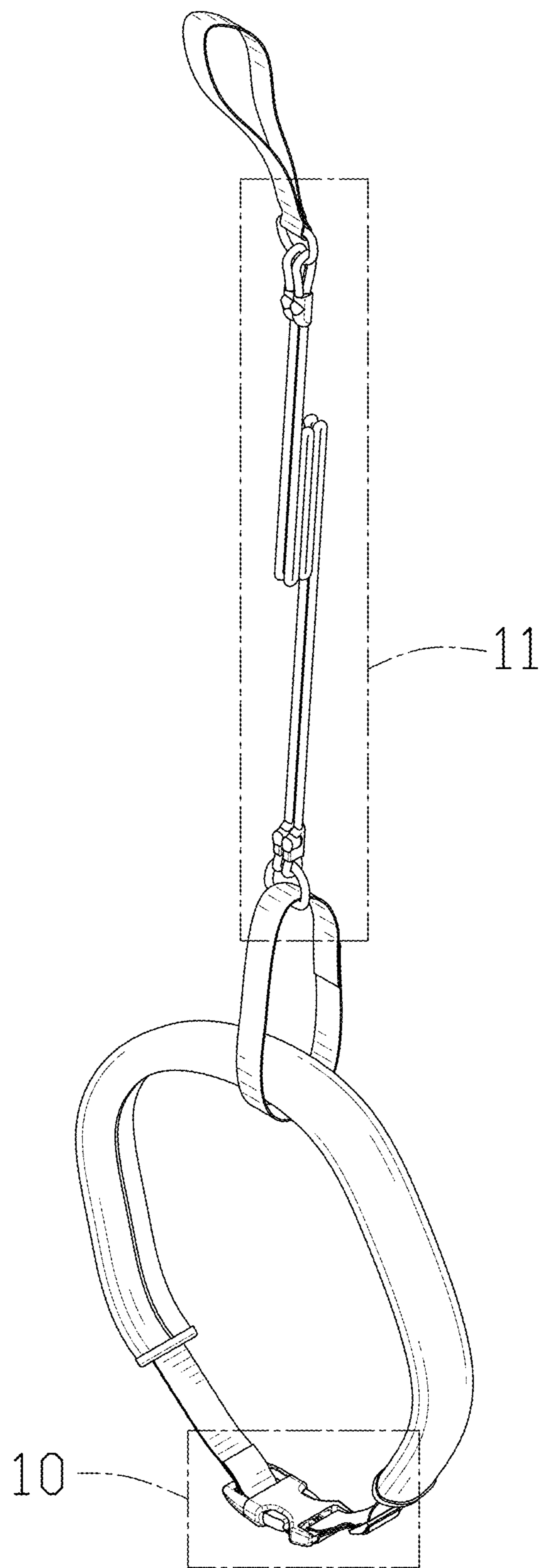


FIG. 2

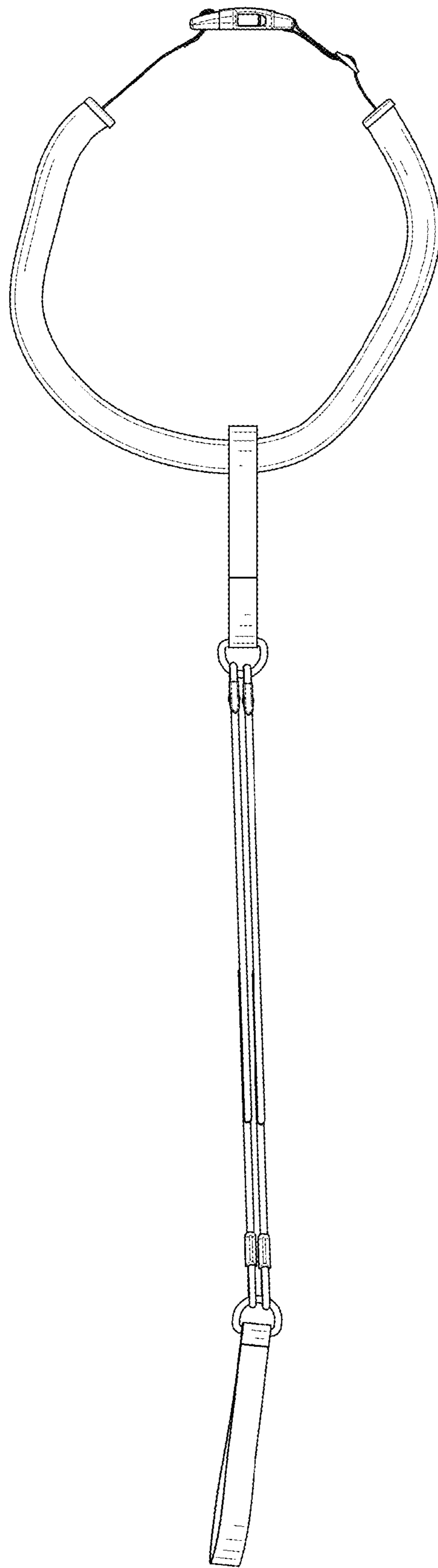


FIG. 3

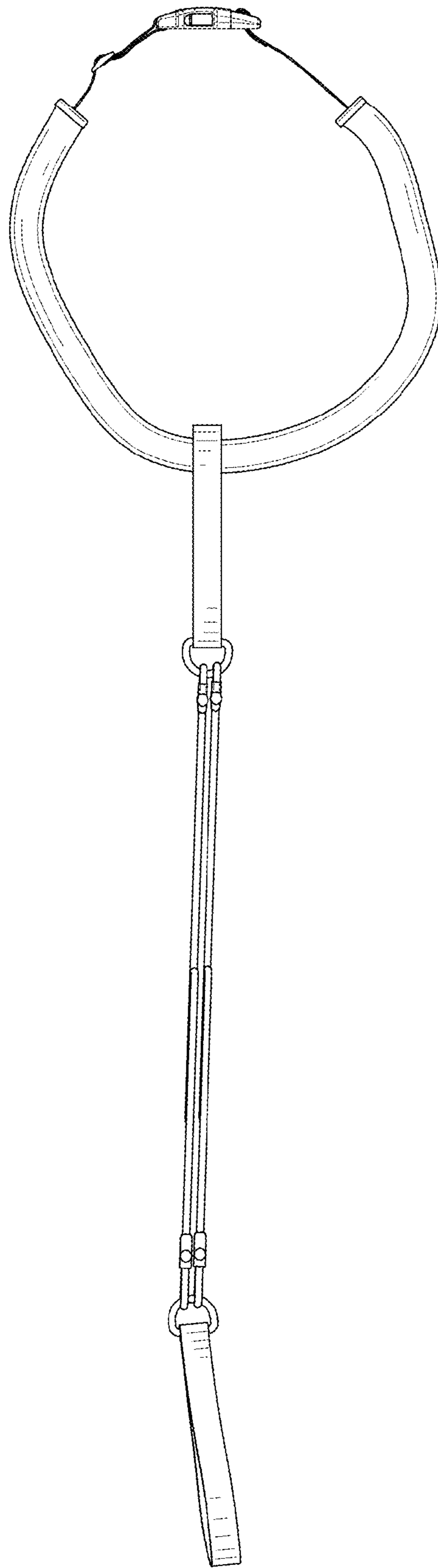


FIG. 4

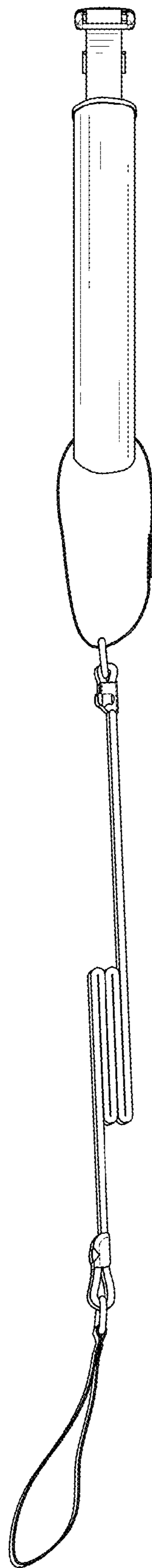


FIG. 5

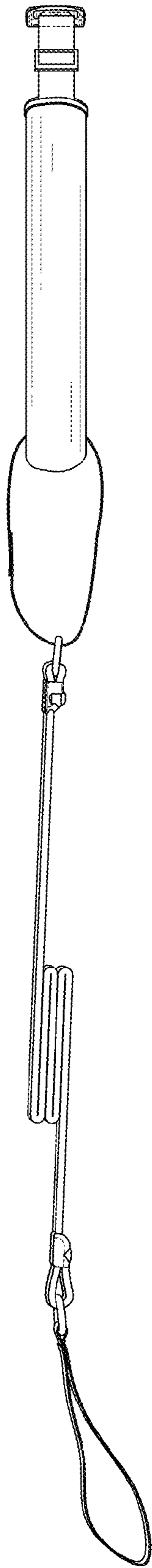


FIG. 6

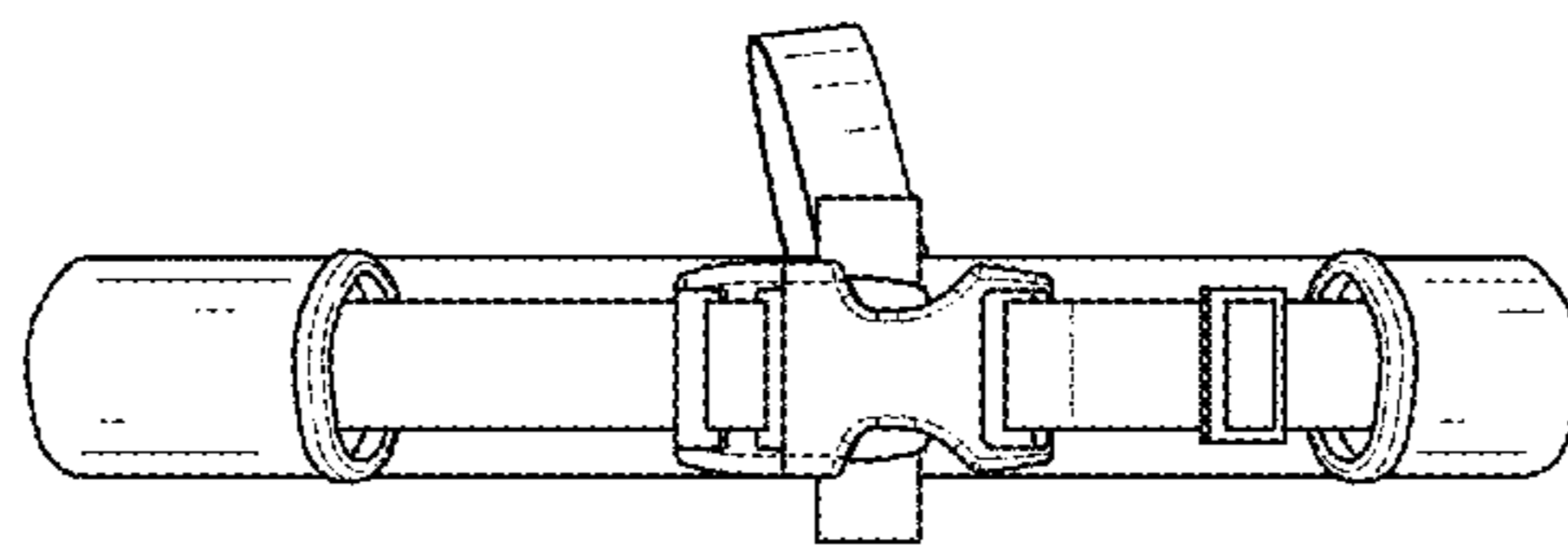


FIG. 7

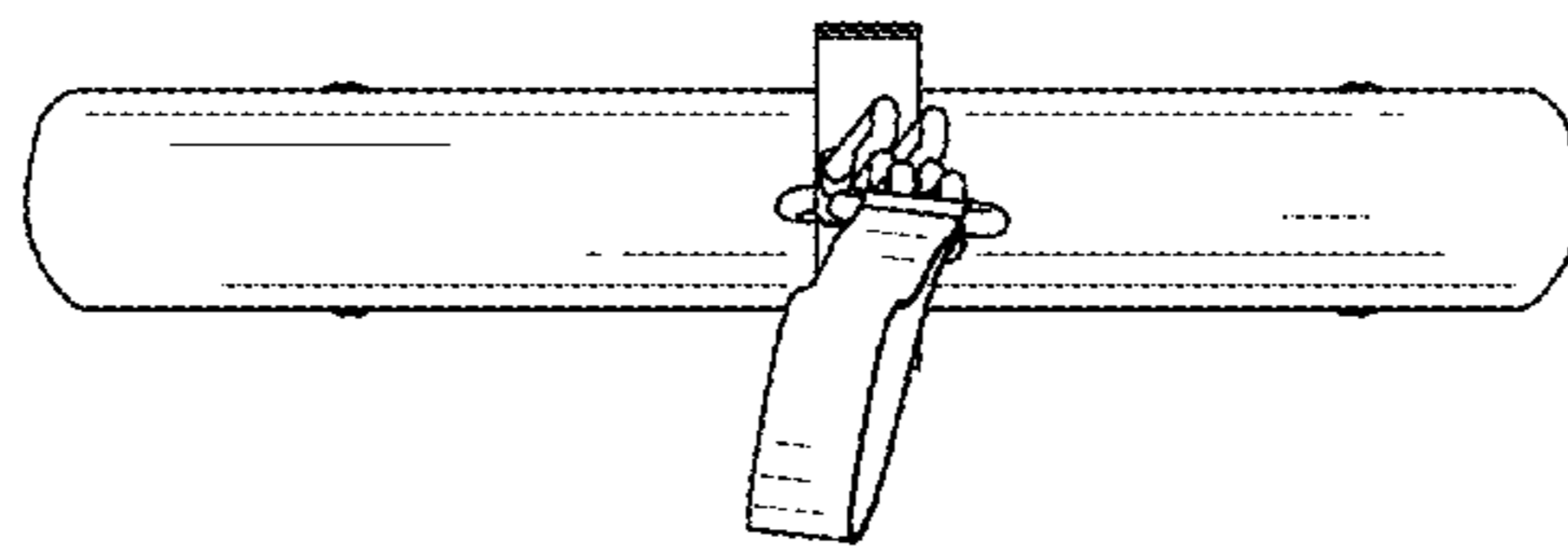


FIG. 8

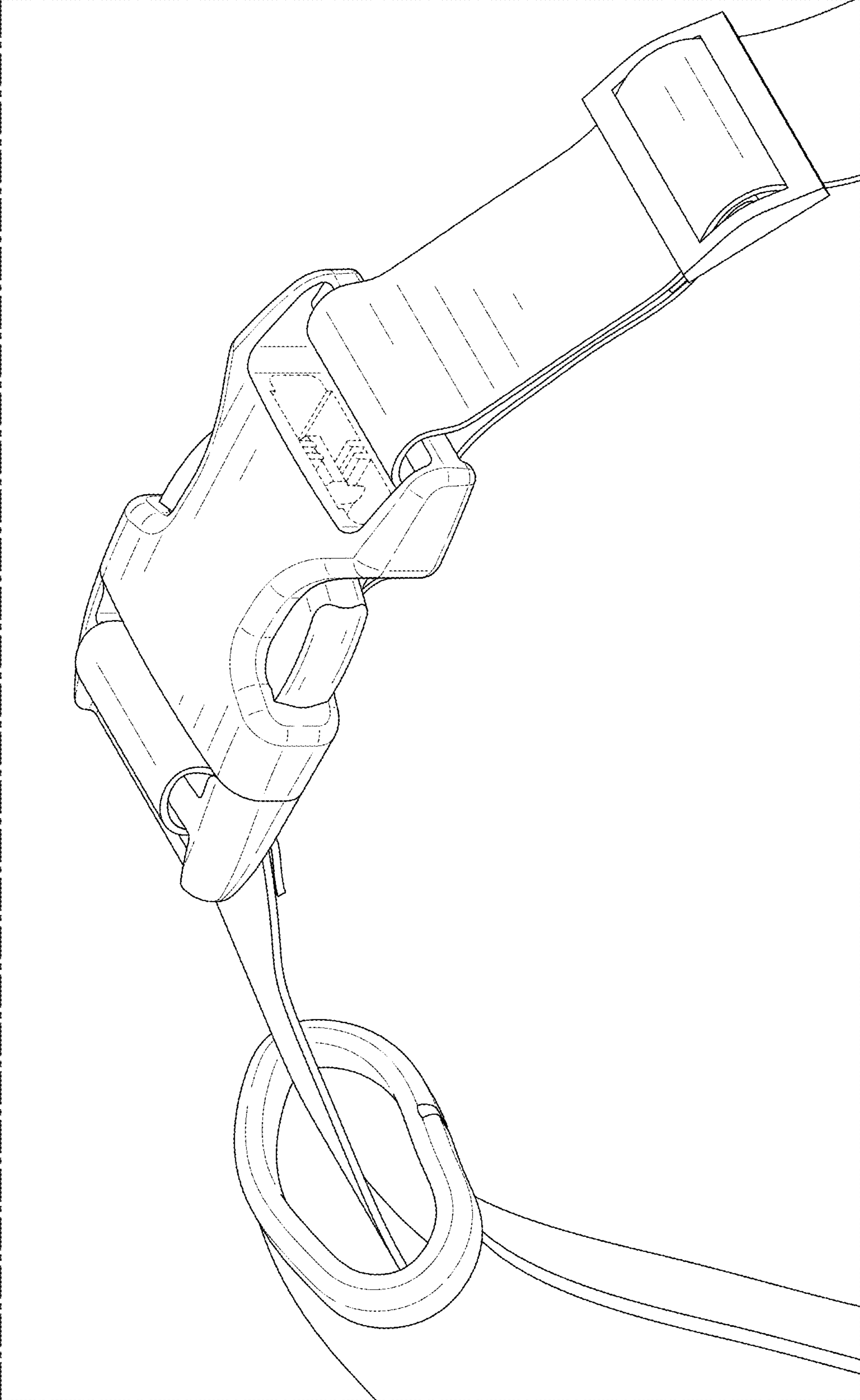


FIG. 9

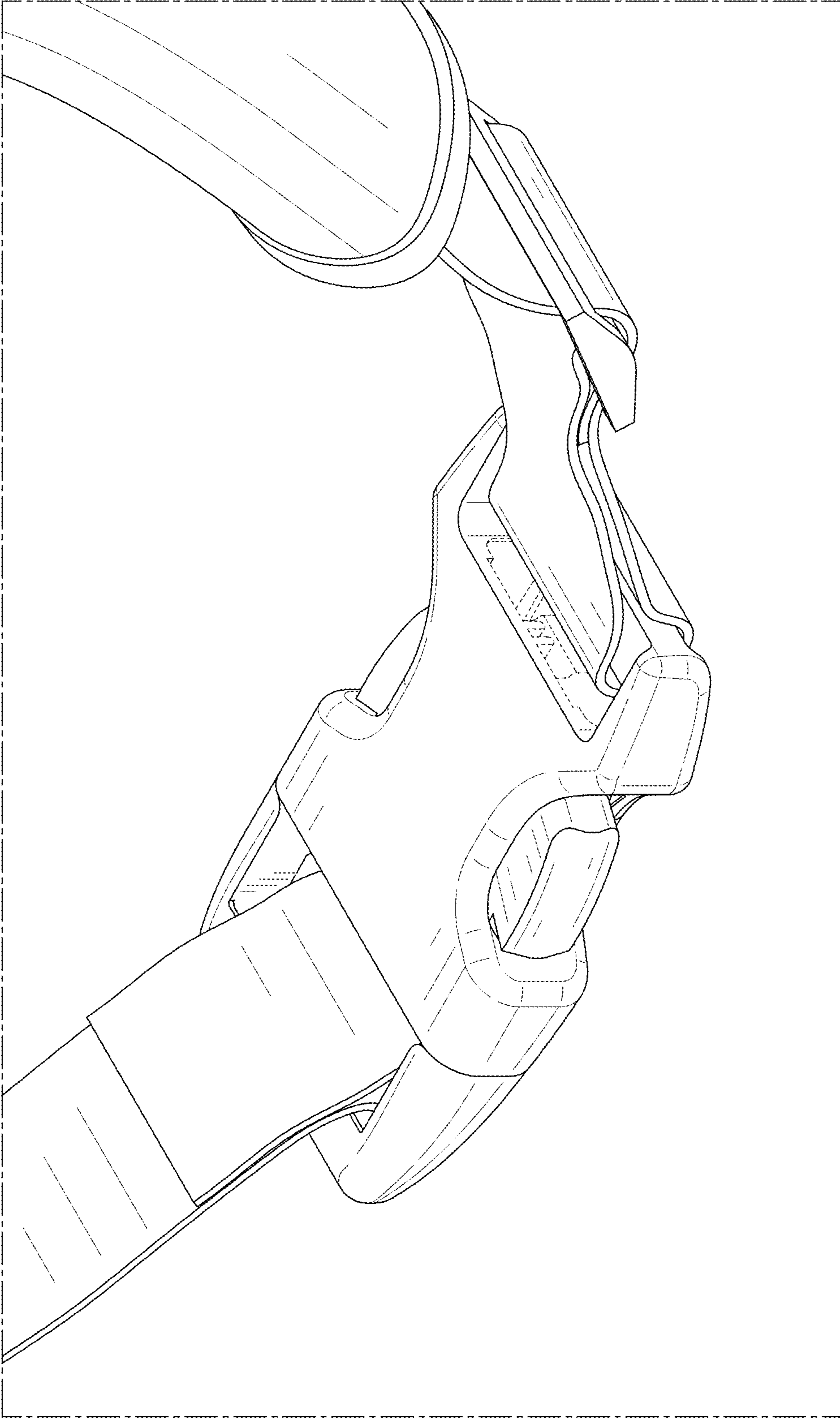


FIG. 10

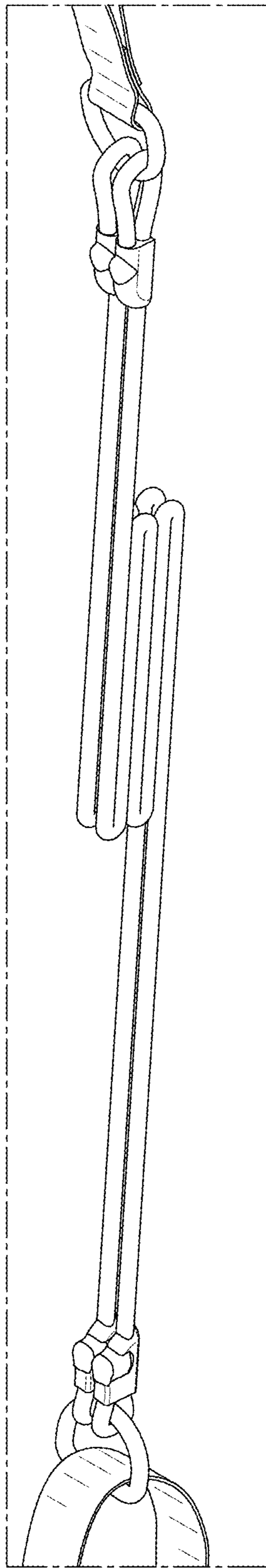


FIG. 11