



US00D881299S

(12) **United States Design Patent**
Pellegrino

(10) **Patent No.:** **US D881,299 S**
(45) **Date of Patent:** **** Apr. 14, 2020**

- (54) **CROSSFIT GYMNASTICS GRIP**
- (71) Applicant: **VICTORY GRIPS LLC**, Tybee Island, GA (US)
- (72) Inventor: **Victor Brian Pellegrino**, Tybee Island, GA (US)
- (73) Assignee: **VICTORY GRIPS LLC**, Tybee Island, GA (US)
- (**) Term: **15 Years**
- (21) Appl. No.: **29/716,550**
- (22) Filed: **Dec. 10, 2019**

3,670,574 A 6/1972 Edwards
 3,779,550 A * 12/1973 Benoun A41D 13/088
 4,183,100 A 1/1980 De Marco
 473/62
 (Continued)

OTHER PUBLICATIONS

Youtube, "Victory Grips Freedom & 2 Finger Grips Review", May 5, 2018, retrieved from <https://www.youtube.com/watch?v=VxiZgluVtZQ>. Shown at the 2:27 minute mark.

Primary Examiner — Cynthia Ramirez
Assistant Examiner — Michael A Maharajh
 (74) *Attorney, Agent, or Firm* — Fish & Richardson P.C.

(57) **CLAIM**

The ornamental design for a crossfit gymnastics grip, as shown and described.

DESCRIPTION

FIG. 1 is a perspective view of an open configuration of my crossfit gymnastics grip.
 FIG. 2 is a front view of the configuration of FIG. 1.
 FIG. 3 is a back view of the configuration of FIG. 1.
 FIG. 4 is a left side view of the configuration of FIG. 1.
 FIG. 5 is a right side view of the configuration of FIG. 1.
 FIG. 6 is a top view of the configuration of FIG. 1.
 FIG. 7 is a bottom view of the configuration of FIG. 1.
 FIG. 8 is a perspective view of a closed configuration of my crossfit gymnastics grip.
 FIG. 9 is a front view of the configuration of FIG. 8.
 FIG. 10 is a back view of the configuration of FIG. 8.
 FIG. 11 is a left side view of the configuration of FIG. 8.
 FIG. 12 is a right side view of the configuration of FIG. 8.
 FIG. 13 is a top view of the configuration of FIG. 8; and,
 FIG. 14 is a bottom view of the configuration of FIG. 8.
 The broken lines shown in the figures are for the purposes of illustrating environmental structure which form no part of the claimed design.

Related U.S. Application Data

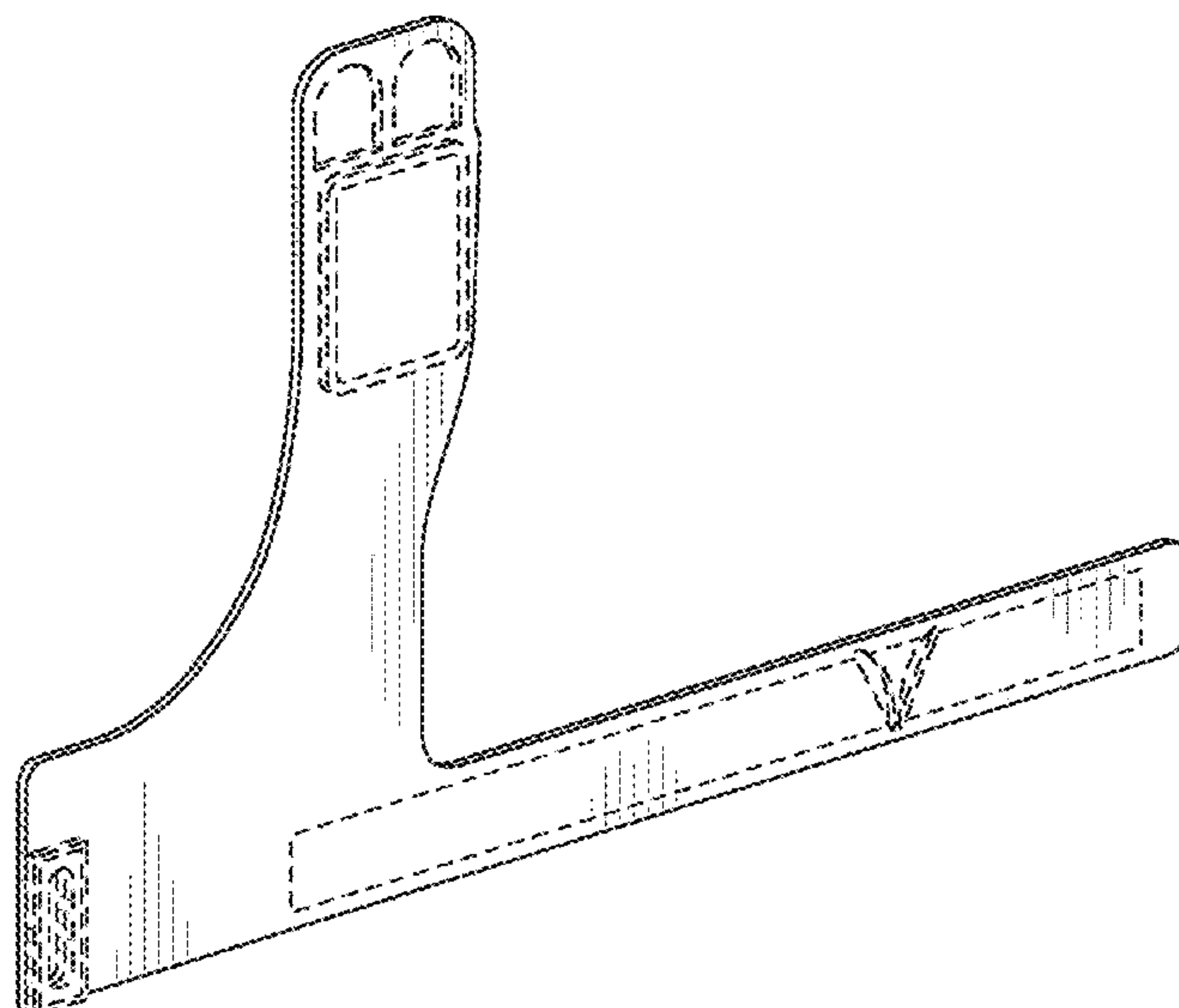
- (63) Continuation of application No. 29/654,747, filed on Jun. 27, 2018, now Pat. No. Des. 873,936.
- (51) **LOC (12) Cl.** **21-02**
- (52) **U.S. Cl.**
USPC **D21/684**
- (58) **Field of Classification Search**
USPC 2/158, 159, 160; 482/44, 47, 49, 50, 482/139; 602/21, 64; D2/610, 617, 618, D2/619, 620, 621, 622, 623, 624, 625, D2/626, 627, 629; D21/662, 683, 684, D21/685, 694, 797; D24/190, 191, 192
CPC A41D 19/0017; A41D 19/01547; A41D 19/015; A41D 19/01564; A41D 2600/10; A63B 71/148
See application file for complete search history.

(56) **References Cited**

U.S. PATENT DOCUMENTS

- 2,391,851 A 12/1945 Donald
- 3,344,436 A 10/1967 Stubbs
- 3,411,159 A 11/1968 Berkhemer
- 3,421,160 A 1/1969 Domenico

1 Claim, 7 Drawing Sheets



(56)

References Cited

U.S. PATENT DOCUMENTS

4,281,389 A 7/1981 Smith
 D270,556 S * 9/1983 Kneisley D24/190
 4,441,490 A * 4/1984 Nirschl A61F 5/0118
 473/62
 4,487,412 A 12/1984 Meeko
 4,504,980 A 3/1985 Butcher
 4,519,097 A 5/1985 Chappell, Jr. et al.
 4,531,241 A 7/1985 Berger
 4,584,993 A * 4/1986 Nelson A61F 5/0118
 602/21
 D285,821 S * 9/1986 Kneisley D11/5
 4,807,876 A 2/1989 Lothar
 4,809,974 A 3/1989 Buhr
 4,977,621 A 12/1990 Richard
 D320,872 S * 10/1991 McCrane D29/113
 D351,930 S 10/1994 Snider et al.
 5,447,490 A 9/1995 Fula et al.
 5,479,660 A * 1/1996 Najac A41D 13/082
 2/161.1
 5,538,501 A 7/1996 Caswell
 D387,503 S 12/1997 Ho
 5,704,883 A 1/1998 Eckmann
 5,781,928 A * 7/1998 Avila A41D 13/081
 2/159
 D396,936 S * 8/1998 Liss-Daniels D2/610
 5,898,944 A * 5/1999 Vransy A41D 19/01547
 2/160
 D412,048 S * 7/1999 Schiazza D2/610
 6,013,044 A 1/2000 Estwanik
 6,098,200 A 8/2000 Minkow et al.
 6,142,966 A * 11/2000 Hely A61F 5/0118
 128/879
 6,146,319 A 11/2000 Tarail
 6,168,556 B1 1/2001 Saavedra
 D437,682 S 2/2001 Steele
 D450,795 S 11/2001 Riley, Jr.
 6,581,211 B1 6/2003 Golden
 6,694,523 B2 2/2004 Hurst
 D502,573 S * 3/2005 Jones D29/113
 6,988,998 B1 1/2006 Santaana-Dela Rosa
 7,086,094 B1 * 8/2006 Ismailyan A41D 19/01594
 2/159

D603,581 S * 11/2009 Rimando D2/617
 7,713,123 B2 5/2010 Weber et al.
 8,029,414 B2 10/2011 Ingvast et al.
 D654,228 S * 2/2012 Burry D29/113
 8,137,296 B2 3/2012 Chaing et al.
 D675,397 S 2/2013 Bengyak
 8,425,438 B2 4/2013 Fujimoto et al.
 8,529,483 B2 9/2013 Farrow et al.
 8,657,771 B2 * 2/2014 Weaver, II A61F 5/0118
 602/20
 8,702,634 B2 4/2014 Crompton
 8,747,284 B2 6/2014 Ingram
 D716,287 S 10/2014 Ambriz
 8,870,725 B2 10/2014 Harris
 8,876,667 B2 11/2014 Russotti
 8,966,666 B2 3/2015 Faulconer
 D739,992 S 10/2015 Fischer et al.
 D752,695 S * 3/2016 Boruch D21/684
 9,643,073 B1 5/2017 Pellegrino
 D804,589 S 12/2017 Boruch
 D813,960 S * 3/2018 Boruch D21/684
 D824,112 S * 7/2018 Picon D29/117.2
 D840,633 S 2/2019 Katopis
 D847,919 S 5/2019 Jhaveri
 D855,719 S * 8/2019 Rhodes D21/684
 D863,464 S * 10/2019 Rhodes D21/662
 2003/0154538 A1 * 8/2003 Murphy A63B 69/0066
 2/161.1
 2006/0005296 A1 * 1/2006 Moore A61N 1/36003
 2/159
 2008/0120755 A1 5/2008 Ingram et al.
 2012/0005805 A1 1/2012 Bevier et al.
 2013/0061368 A1 * 3/2013 Filippone A41D 19/0024
 2/160
 2014/0189932 A1 * 7/2014 Joffe A41D 19/0024
 2/160
 2016/0074740 A1 * 3/2016 Sekhon A63B 71/141
 2/161.1
 2017/0056713 A1 * 3/2017 Abdourazak A63B 21/4039
 2017/0202282 A1 7/2017 Dwars
 2017/0348584 A1 * 12/2017 Rhodes A41D 13/0562
 2018/0055108 A1 3/2018 Long et al.
 2018/0140929 A1 5/2018 Pellegrino
 2019/0037938 A1 2/2019 Hong

* cited by examiner

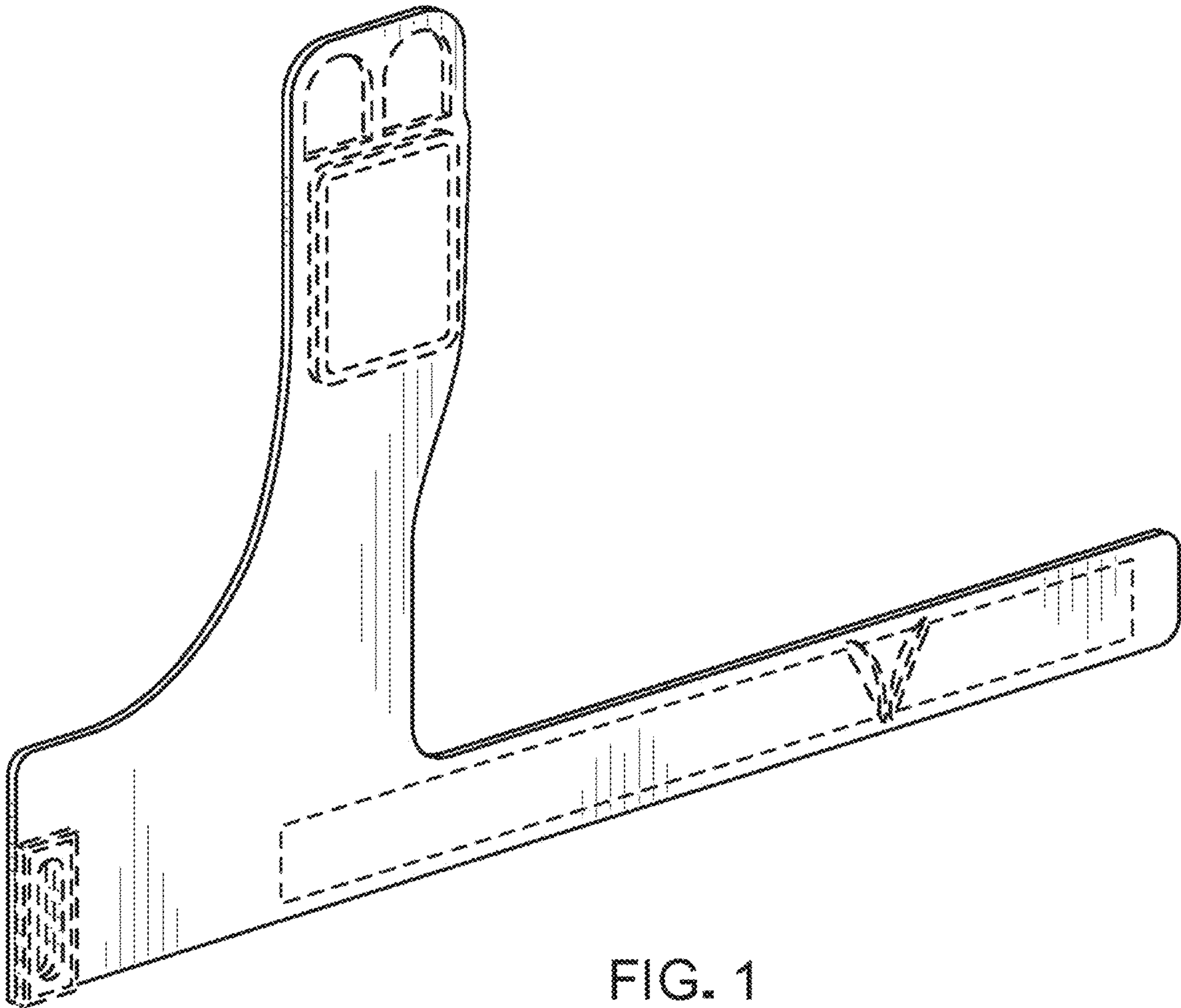


FIG. 1

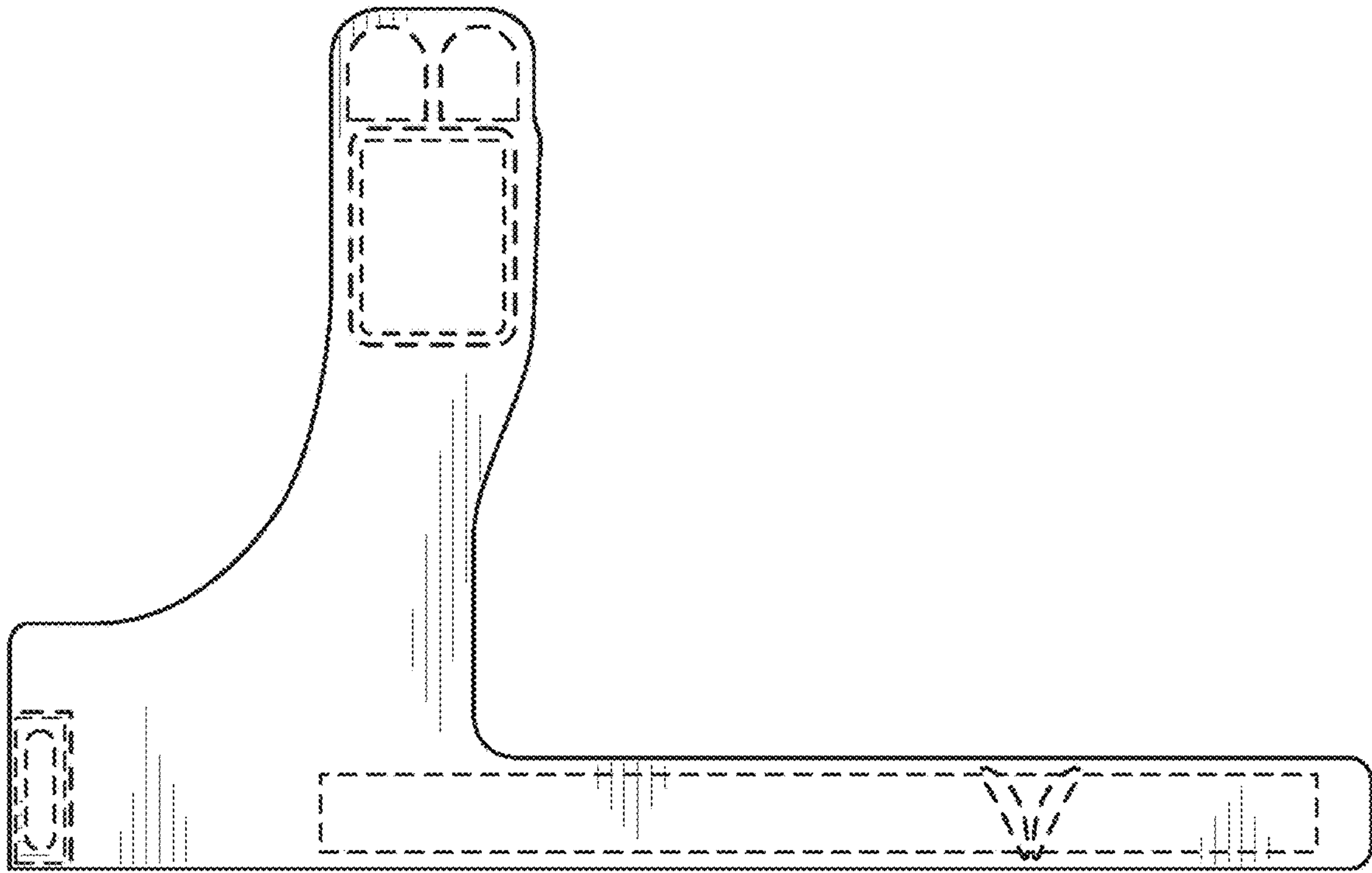


FIG. 2

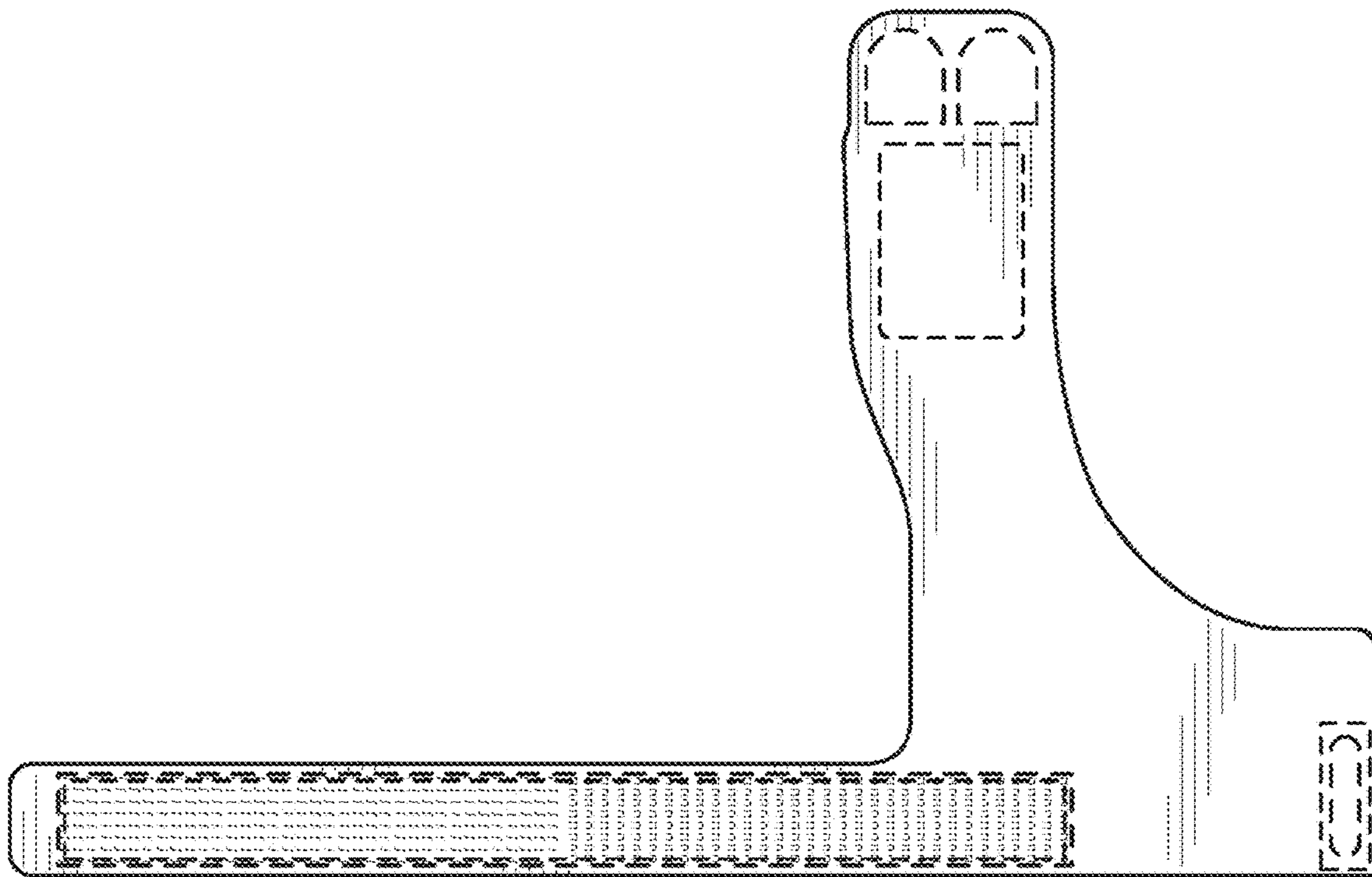


FIG. 3

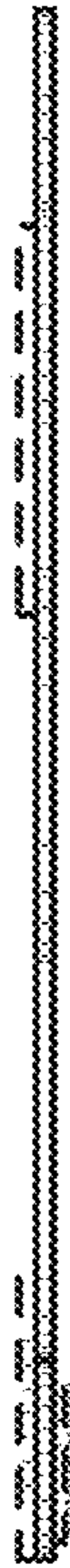


FIG. 4

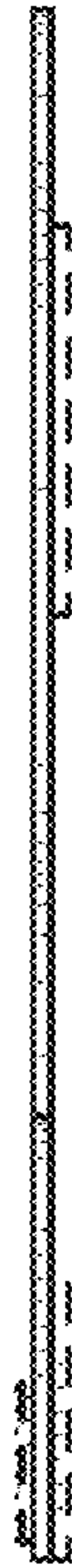


FIG. 5

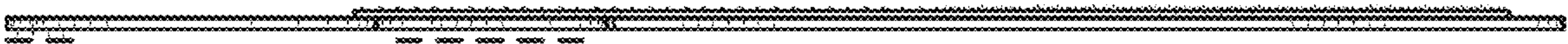


FIG. 6

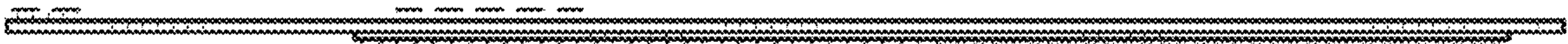


FIG. 7

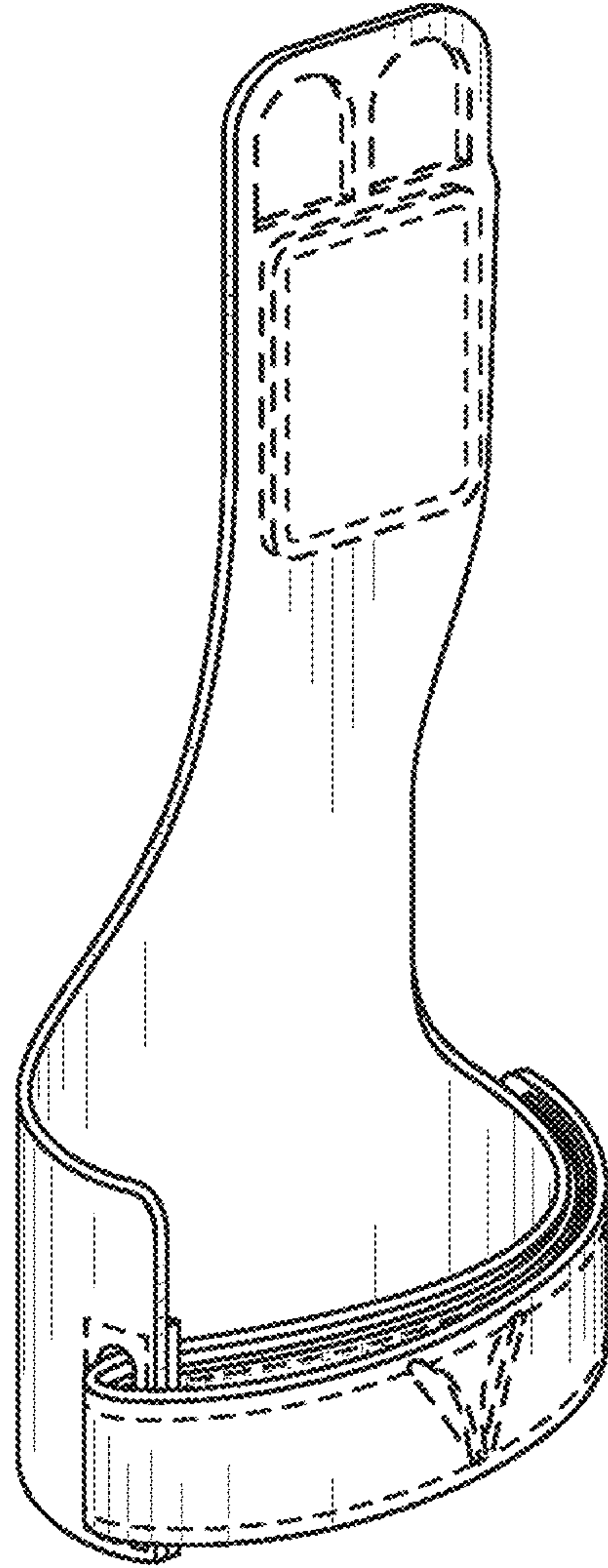


FIG. 8

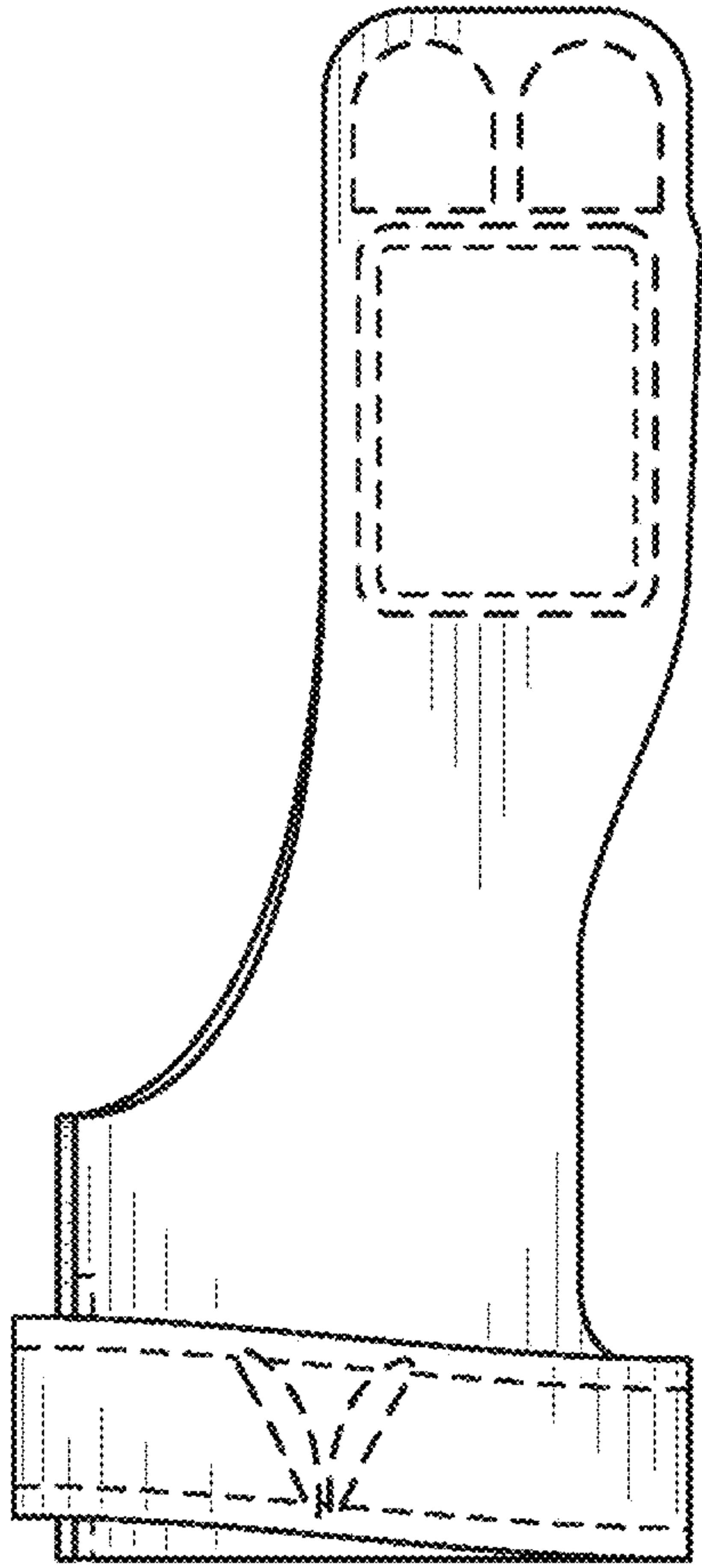


FIG. 9

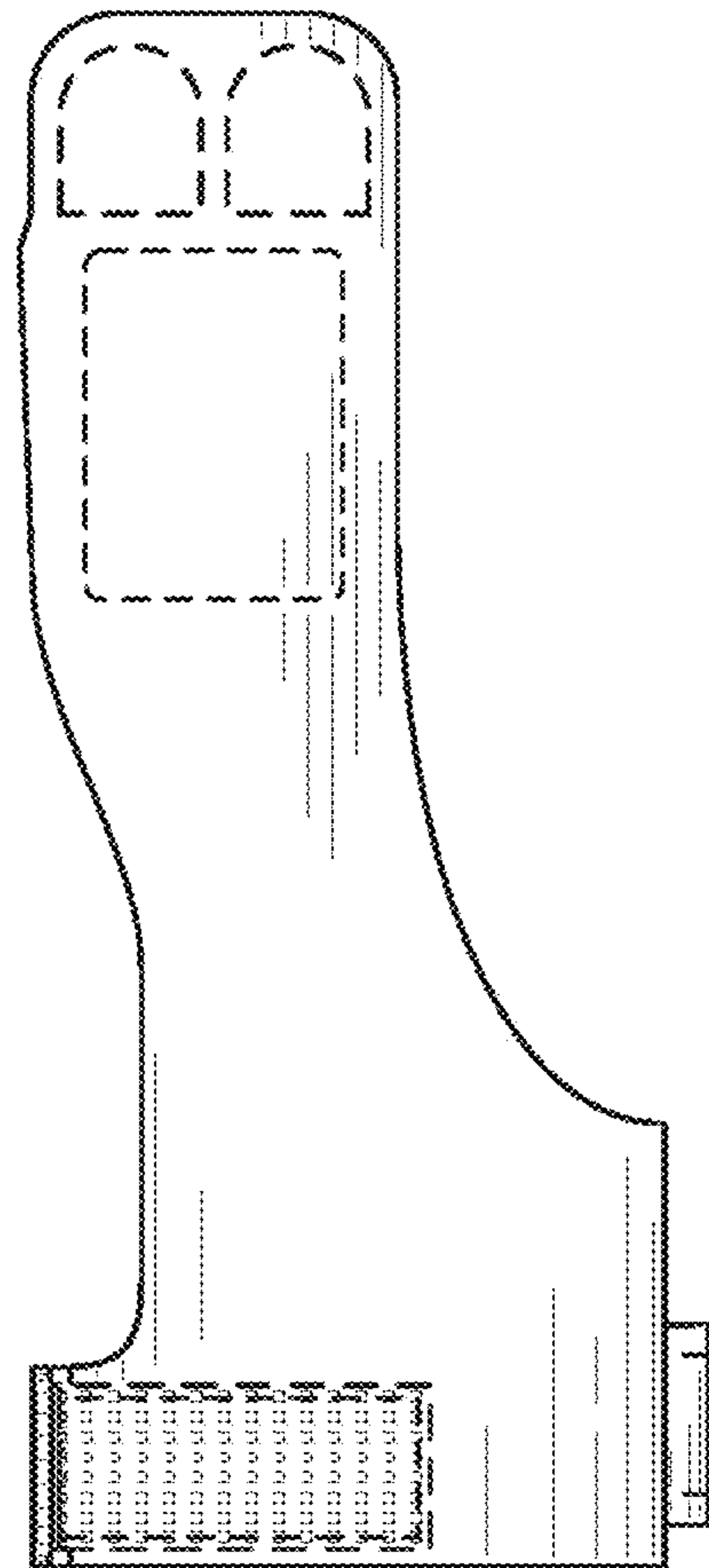


FIG. 10

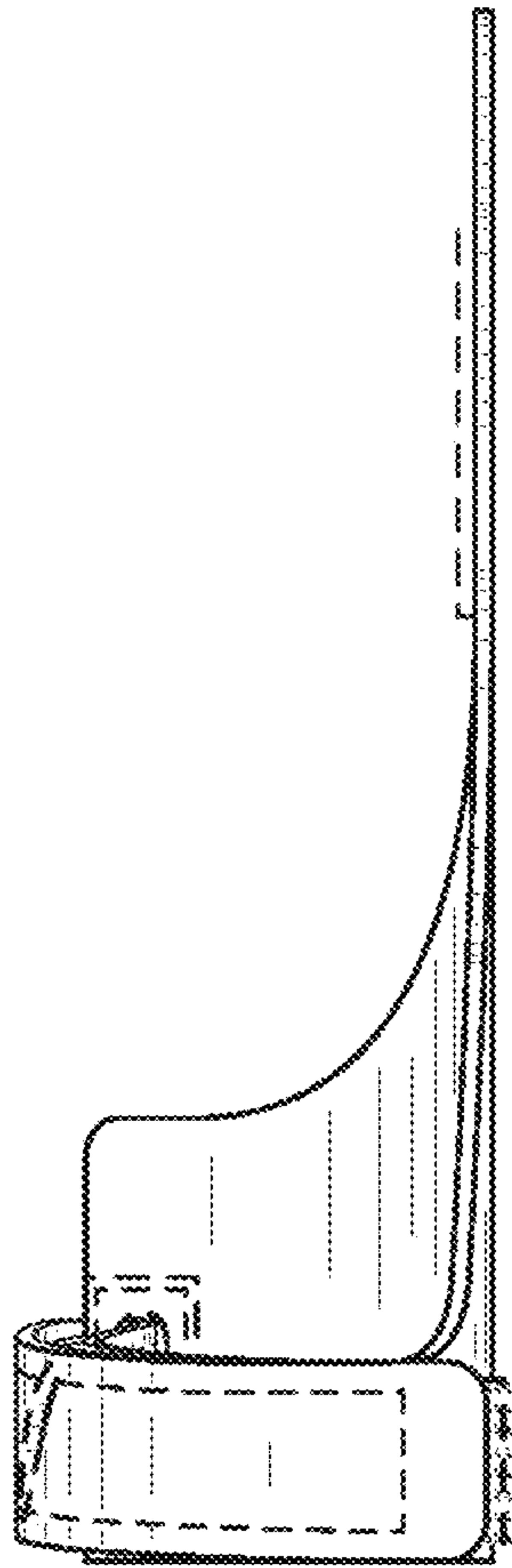


FIG. 11

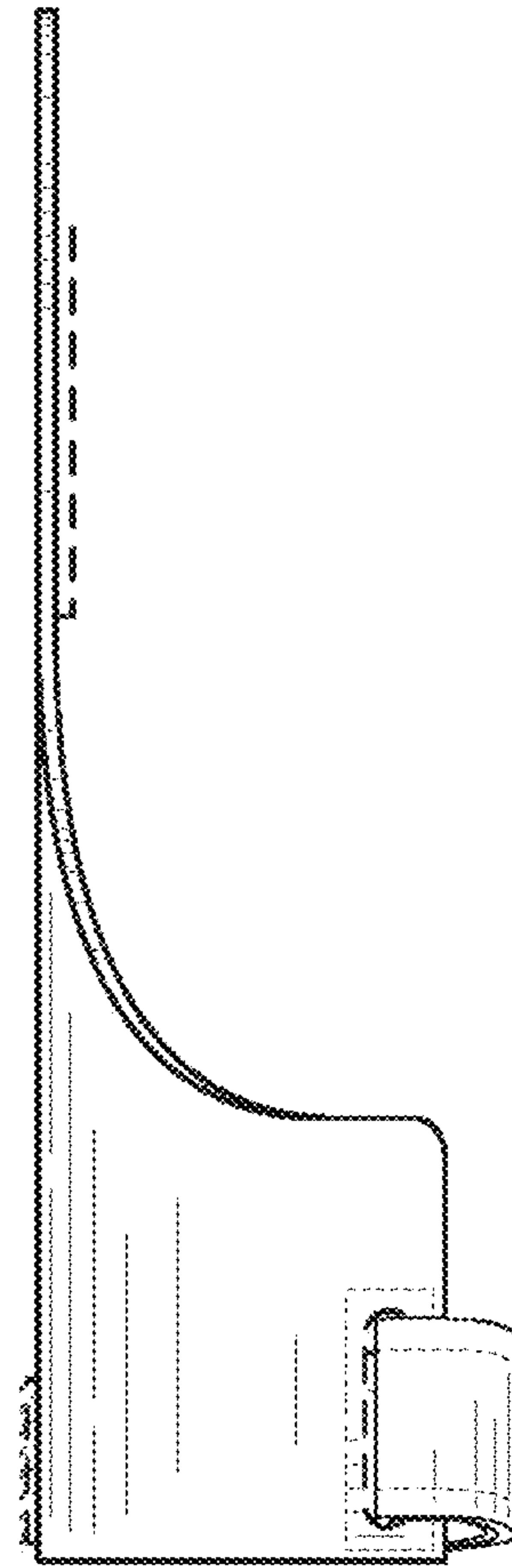


FIG. 12

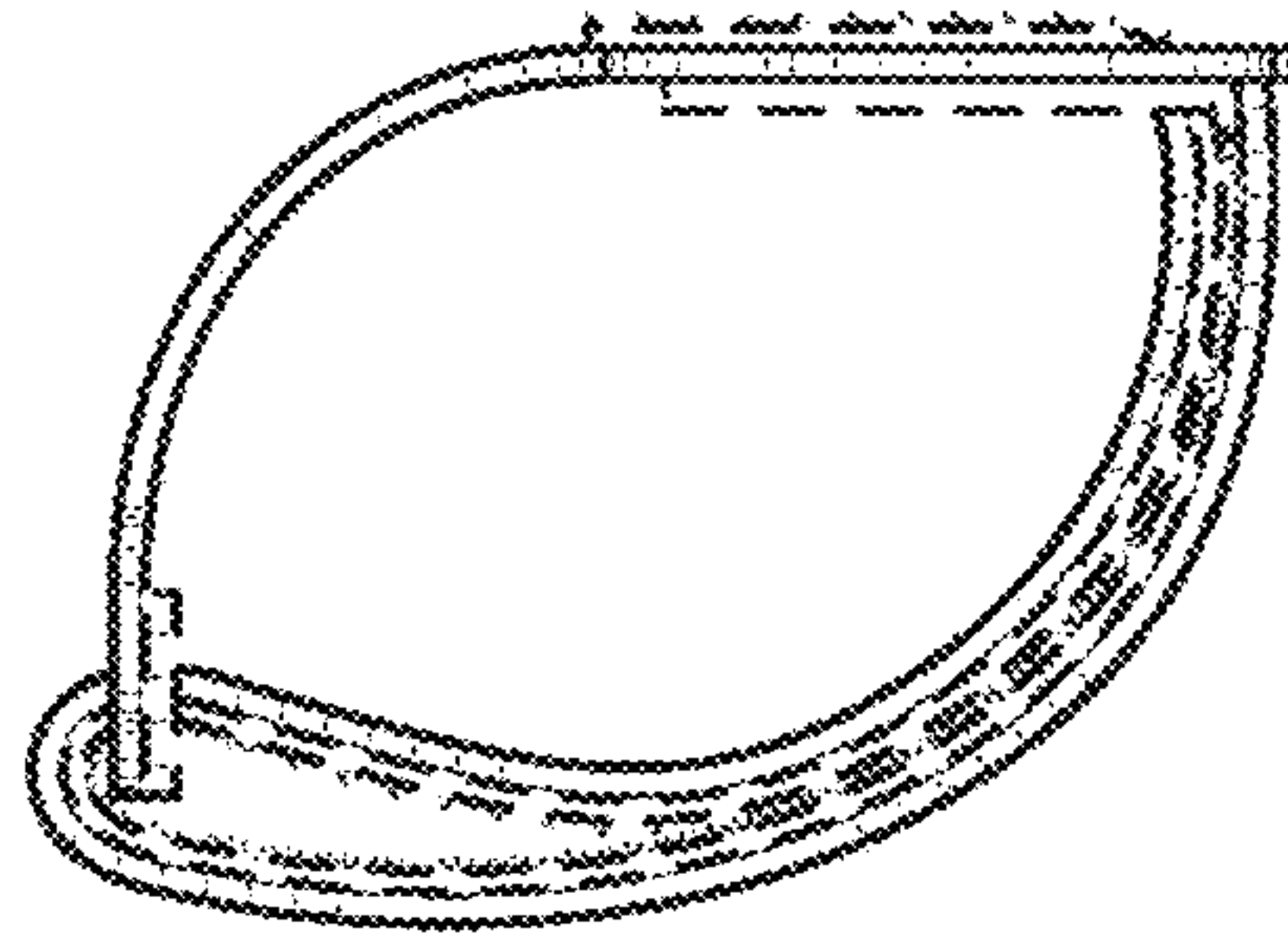


FIG. 13

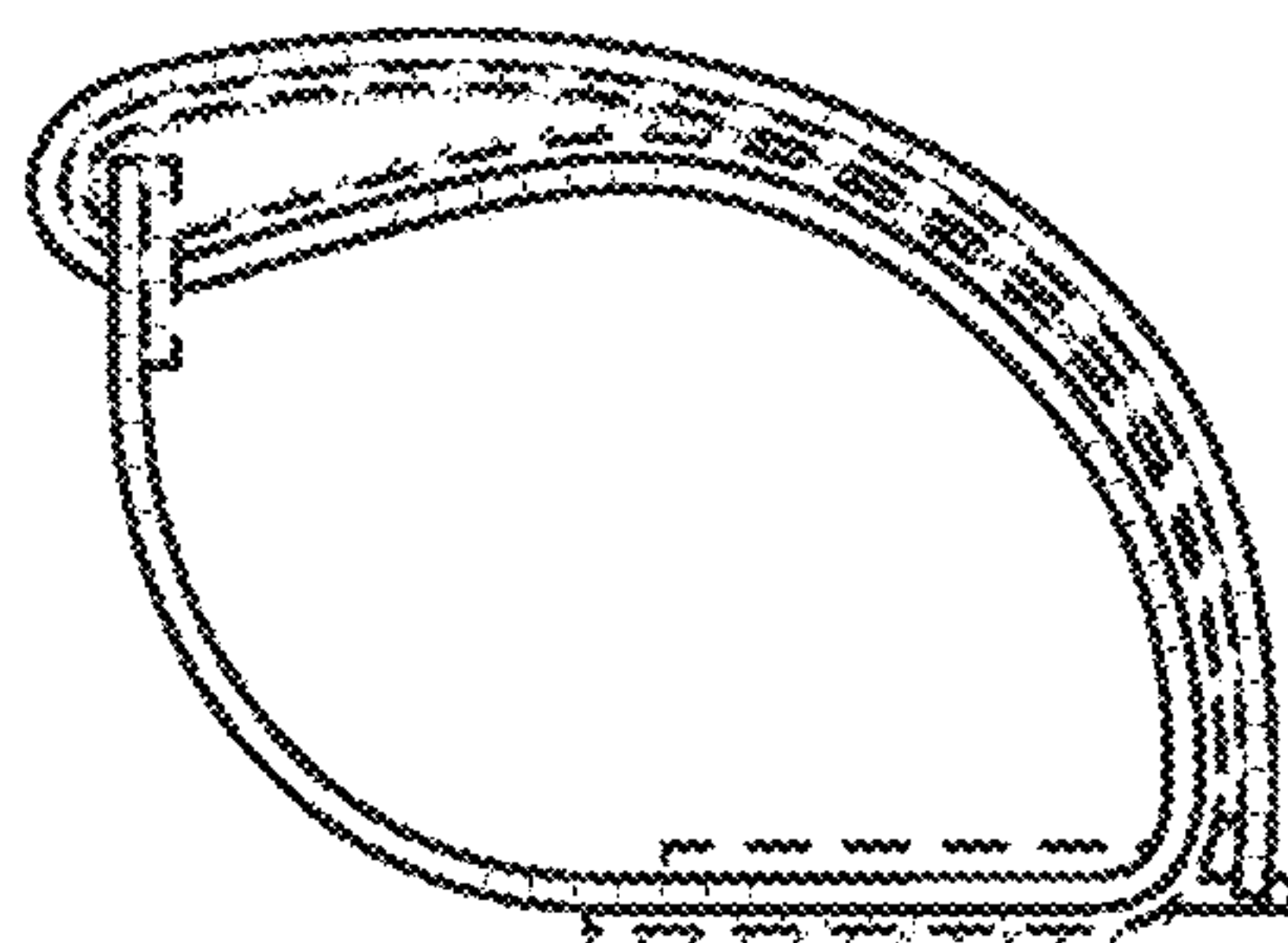


FIG. 14