



US00D881298S

(12) **United States Design Patent**
Poillucci

(10) **Patent No.:** **US D881,298 S**

(45) **Date of Patent:** **** Apr. 14, 2020**

- (54) **HAND EXERCISE APPARATUS**
- (71) Applicant: **Gary Poillucci**, Watertown, MA (US)
- (72) Inventor: **Gary Poillucci**, Watertown, MA (US)
- (**) Term: **15 Years**
- (21) Appl. No.: **29/658,279**
- (22) Filed: **Jul. 30, 2018**
- (51) **LOC (12) Cl.** **21-02**
- (52) **U.S. Cl.**
USPC **D21/684**; D24/190
- (58) **Field of Classification Search**
USPC D21/662, 677, 682, 683, 684, 686, 694;
D24/190
CPC A63B 23/16; A63B 23/14; A63B 21/4021;
A63B 21/4019; A63B 71/141
See application file for complete search history.

5,380,259 A	1/1995	Robertson et al.
5,392,649 A	2/1995	Yoo
5,431,611 A	7/1995	Silagy
5,445,582 A	8/1995	Brown
5,451,191 A	9/1995	Beenken
5,454,769 A	10/1995	Chen
5,472,407 A	12/1995	Schenck
5,533,949 A	7/1996	Hwang
D374,469 S *	10/1996	Barra D21/684
5,582,402 A	12/1996	Gilford
5,613,927 A	3/1997	Rothacker

(Continued)

(56) **References Cited**
U.S. PATENT DOCUMENTS

2,634,976 A	4/1953	Mock
2,832,334 A	4/1958	Whitelaw
3,782,719 A	1/1974	Kuhlman
3,953,026 A	4/1976	Stokely
3,982,757 A	9/1976	McDonnell
4,039,183 A	8/1977	Sakurada
4,310,154 A	1/1982	Kauffman
4,343,465 A	8/1982	Allen
4,456,002 A	6/1984	Barber et al.
4,589,655 A	5/1986	Ammon
4,678,181 A	7/1987	Ditsch et al.
4,679,548 A	7/1987	Pecheux
D294,176 S *	2/1988	Tyo D24/190
4,724,827 A	2/1988	Schenck
4,772,012 A	9/1988	Chesher
4,836,531 A	6/1989	Niks
4,875,469 A	10/1989	Brook et al.
5,100,126 A	3/1992	Liou
5,358,471 A	10/1994	Klotz
5,364,323 A	11/1994	Liu

FOREIGN PATENT DOCUMENTS

JP 2004008349 1/2004

Primary Examiner — Shannon W Morgan
Assistant Examiner — Keith Frank
(74) *Attorney, Agent, or Firm* — Thomas P. O’Connell;
O’Connell Law Firm

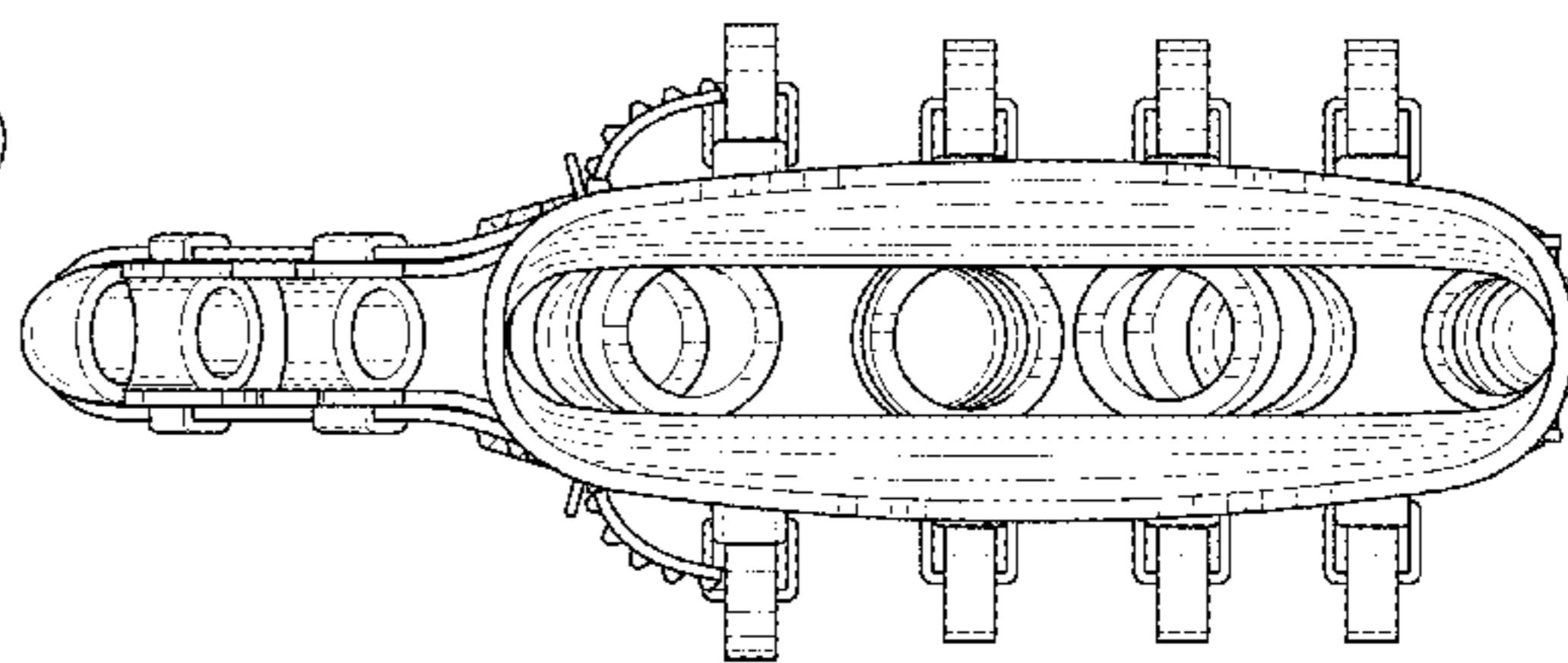
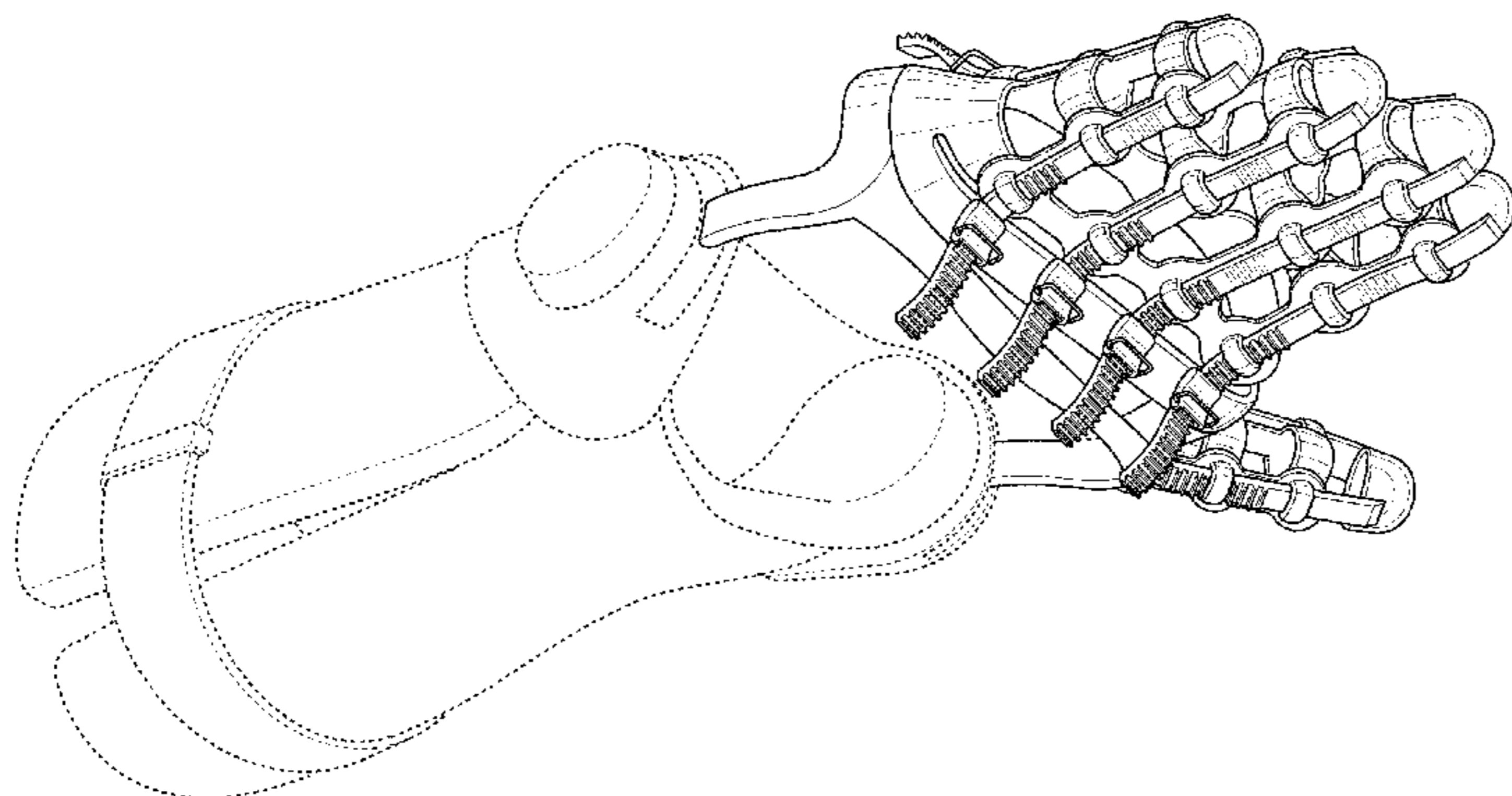
(57) **CLAIM**

The ornamental design for a hand exercise apparatus, as shown and described.

DESCRIPTION

FIG. 1 is a perspective view of a hand exercise apparatus showing my new design;
FIG. 2 is a left elevation view thereof;
FIG. 3 is a right elevation view thereof;
FIG. 4 is a rear side elevation view thereof;
FIG. 5 is a front side elevation view thereof;
FIG. 6 is a top plan view thereof;
FIG. 7 is a bottom plan view thereof; and,
FIG. 8 is a perspective view of a hand exercise apparatus showing my new design, but adapted for a left hand.
The broken lines shown in the drawings are for the purpose of illustrating portions of the hand exercise apparatus, which form no part of the claimed design.

1 Claim, 6 Drawing Sheets



(56)

References Cited

U.S. PATENT DOCUMENTS

5,683,351 A 11/1997 Kaiser et al.
 5,752,896 A 5/1998 White
 6,146,341 A 11/2000 Sato et al.
 D436,148 S * 1/2001 Villepigue D21/684
 6,179,749 B1 1/2001 Thorn et al.
 6,196,956 B1 3/2001 Brown
 6,241,643 B1 6/2001 Loft et al.
 6,443,874 B1 9/2002 Bennett
 6,467,737 B1 10/2002 Dorantes
 6,547,193 B2 4/2003 Money et al.
 6,740,051 B2 5/2004 Hepburn et al.
 6,827,653 B2 12/2004 Be
 6,921,352 B1 7/2005 Stearns
 7,416,520 B1 8/2008 Danowski
 7,537,547 B1 5/2009 Hosick et al.
 8,491,447 B1 * 7/2013 Koranic A63B 21/0421
 482/44
 8,603,018 B2 * 12/2013 Anglada A61F 5/013
 473/213

8,622,939 B2 * 1/2014 Nguyen A61H 1/0288
 482/44
 8,678,984 B1 3/2014 Poillucci
 8,998,833 B1 * 4/2015 AlSaffar A61F 5/013
 602/20
 D809,614 S * 2/2018 Chiu D21/684
 D824,527 S * 7/2018 Fried D24/190
 D842,942 S * 3/2019 Phillips D21/684
 D858,661 S * 9/2019 Wang D21/684
 D860,340 S * 9/2019 Jones D21/683
 10,423,227 B2 * 9/2019 Gu G06F 3/016
 D865,086 S * 10/2019 Poillucci D21/694
 10,478,370 B2 * 11/2019 Kamper A61F 5/013
 2005/0037897 A1 2/2005 Chen
 2006/0178247 A1 8/2006 Liu
 2007/0072739 A1 3/2007 Kaufman
 2009/0197741 A1 8/2009 Poillucci et al.
 2009/0318269 A1 12/2009 D'Addario et al.
 2016/0259417 A1 * 9/2016 Gu G06F 3/016
 2016/0296345 A1 * 10/2016 Deshpande A61H 1/0288
 2019/0152049 A1 * 5/2019 Luijten A61B 5/225

* cited by examiner

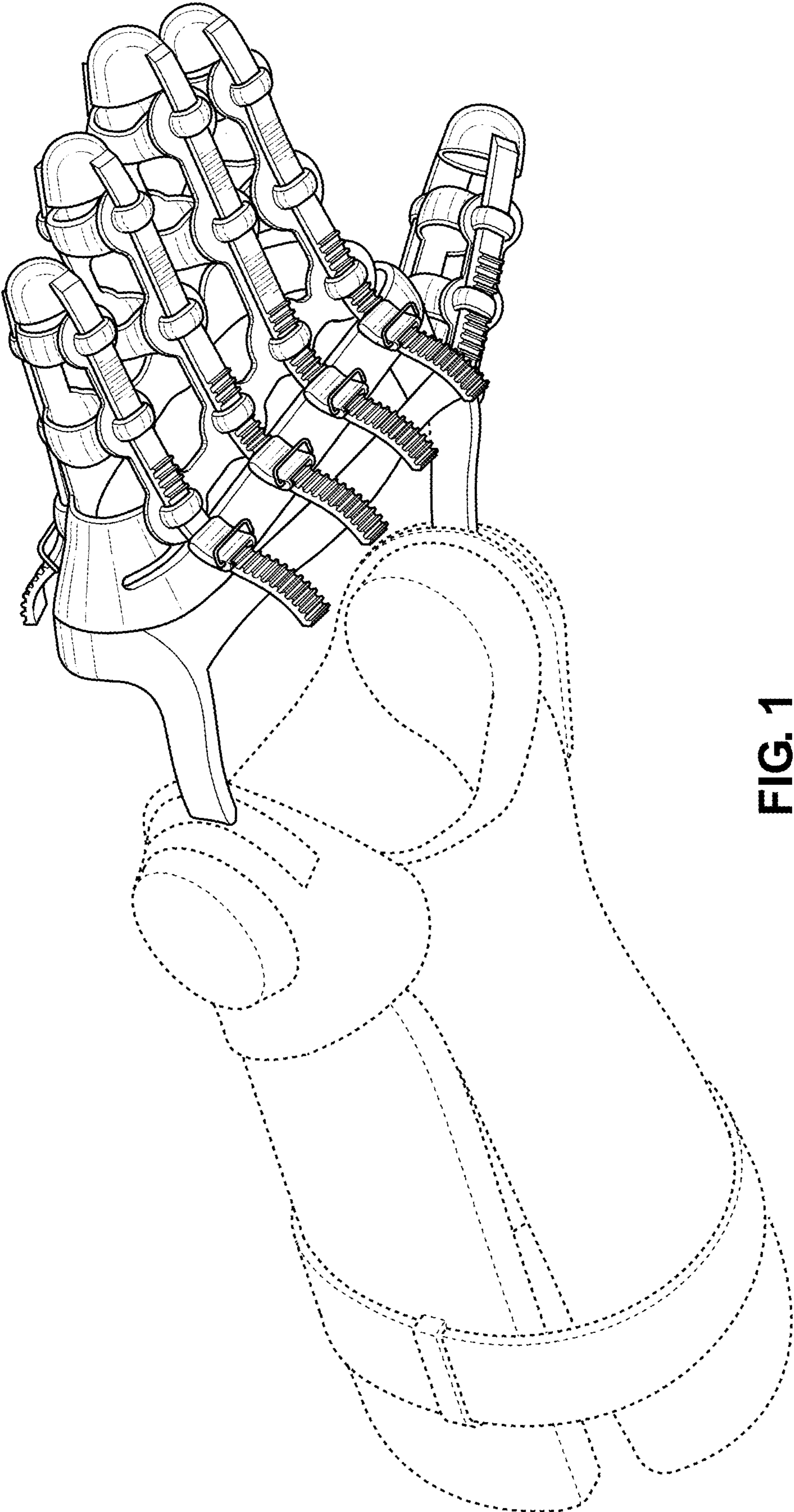


FIG. 1

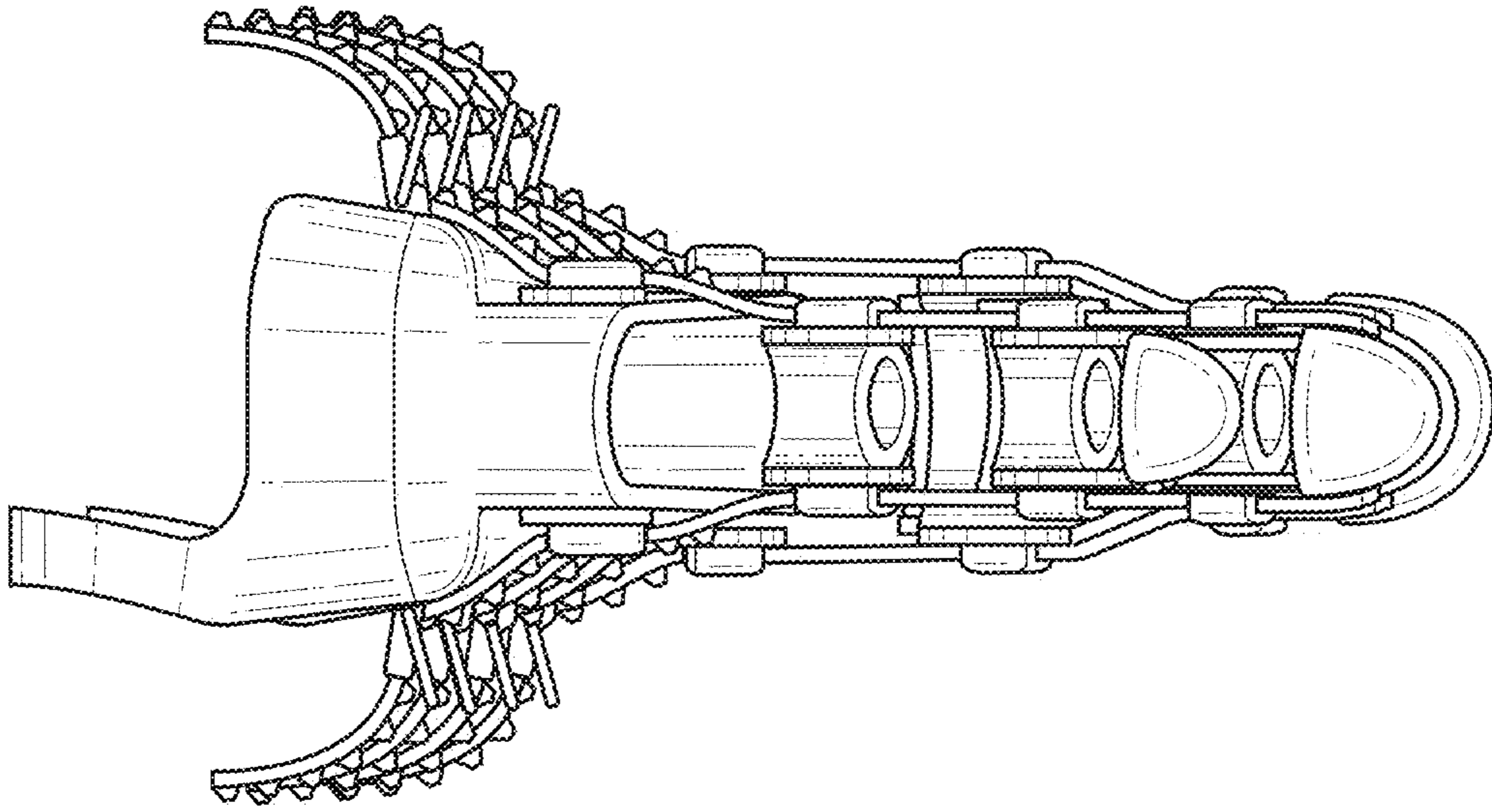


FIG. 2

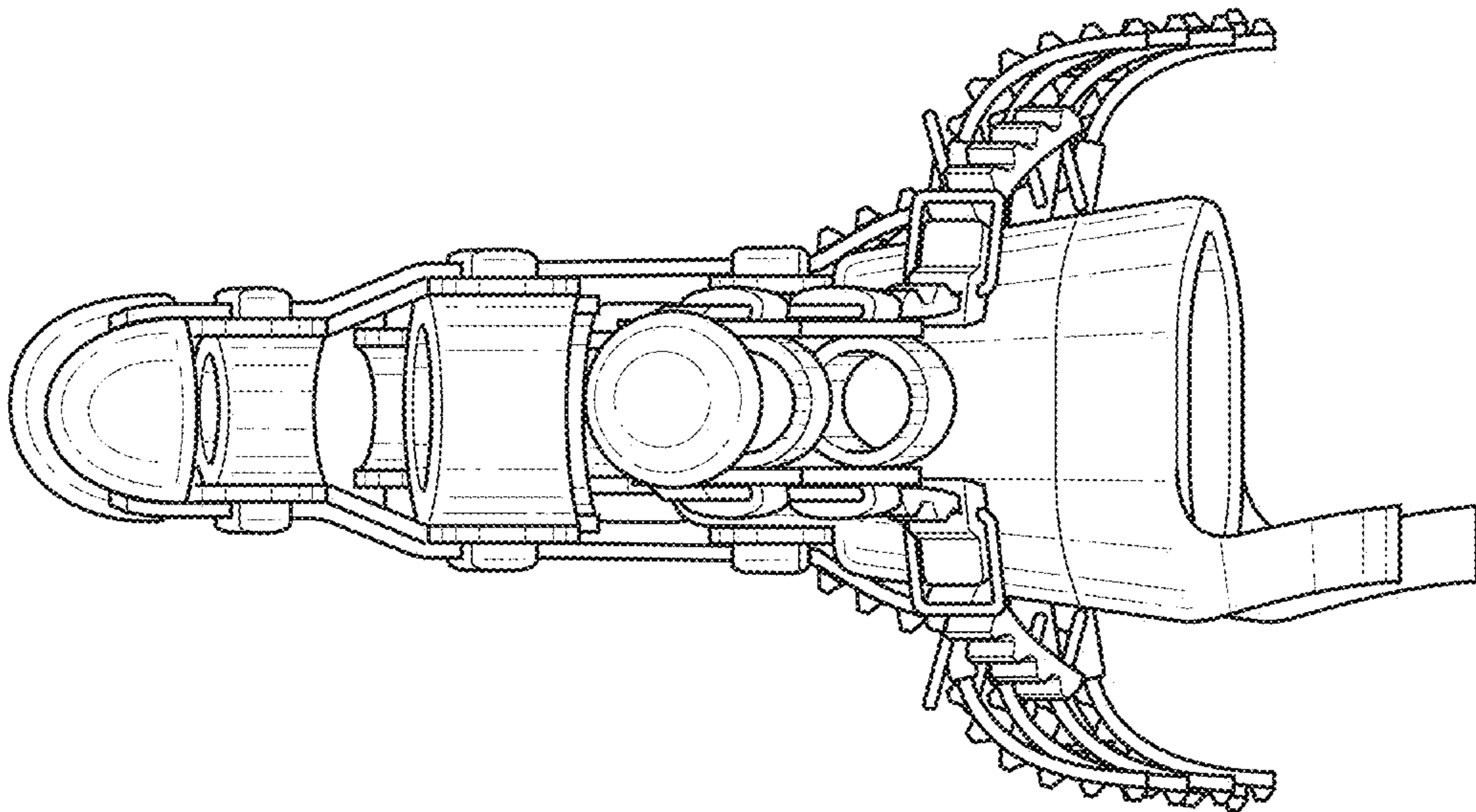


FIG. 3

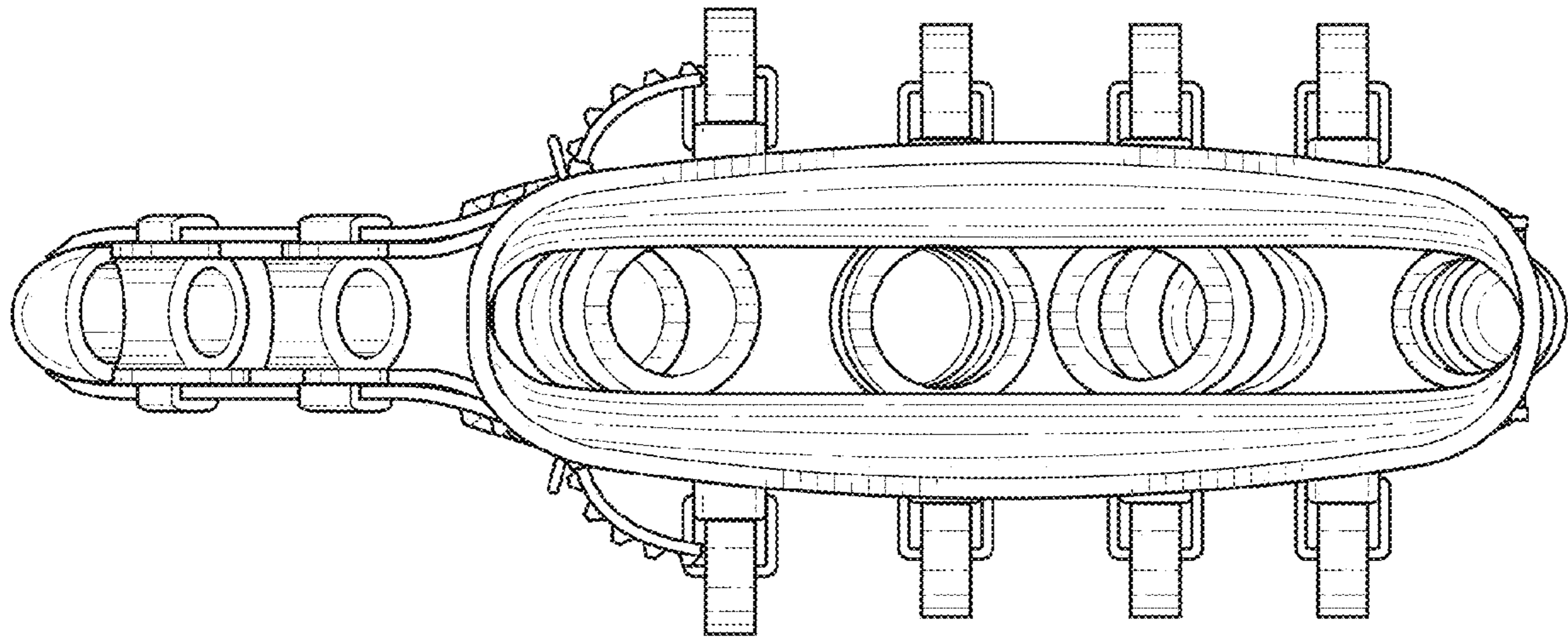


FIG. 4

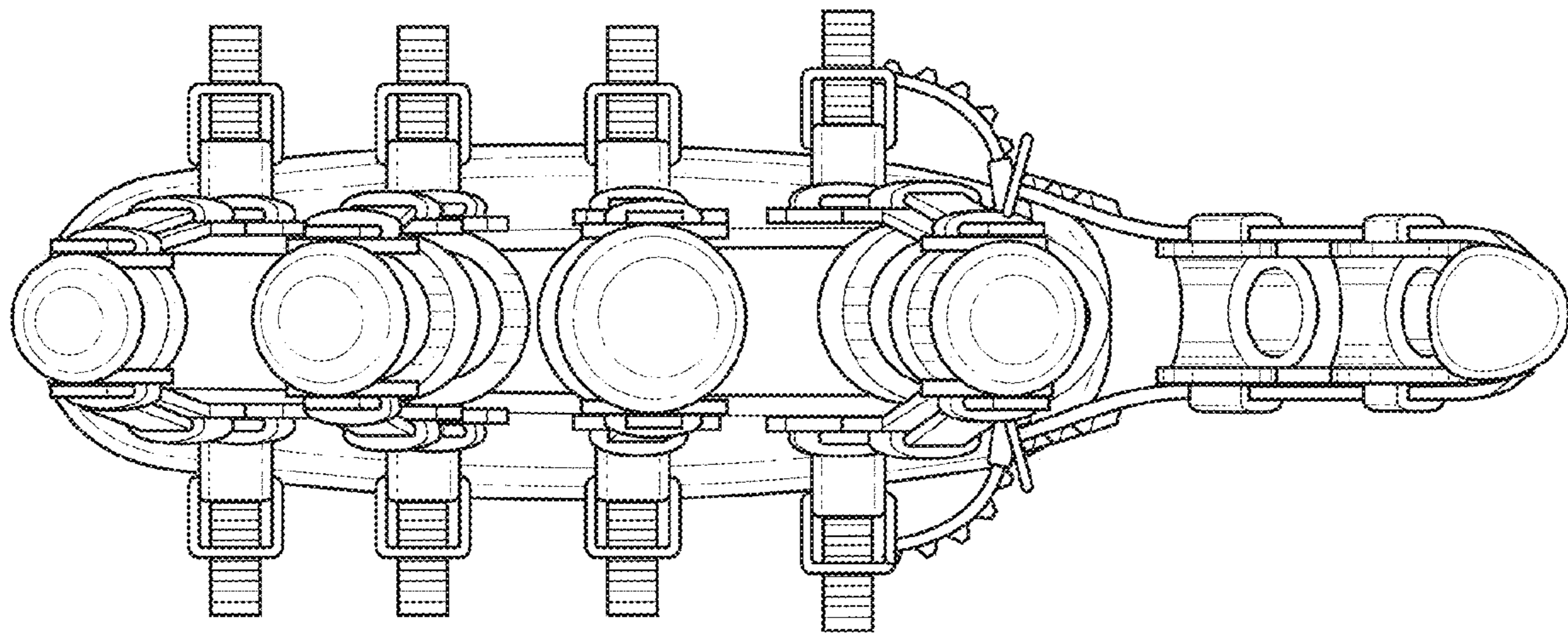


FIG. 5

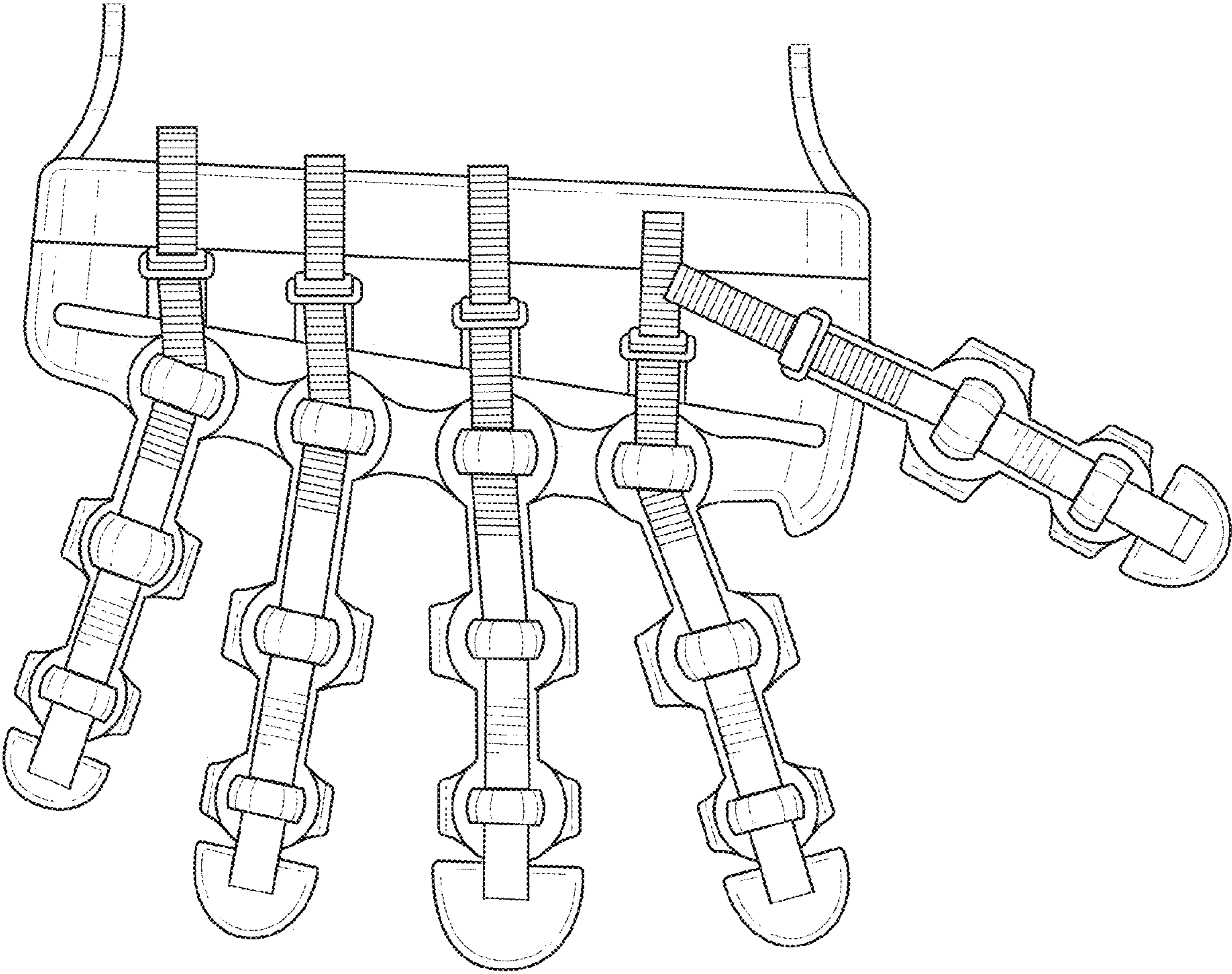


FIG. 6

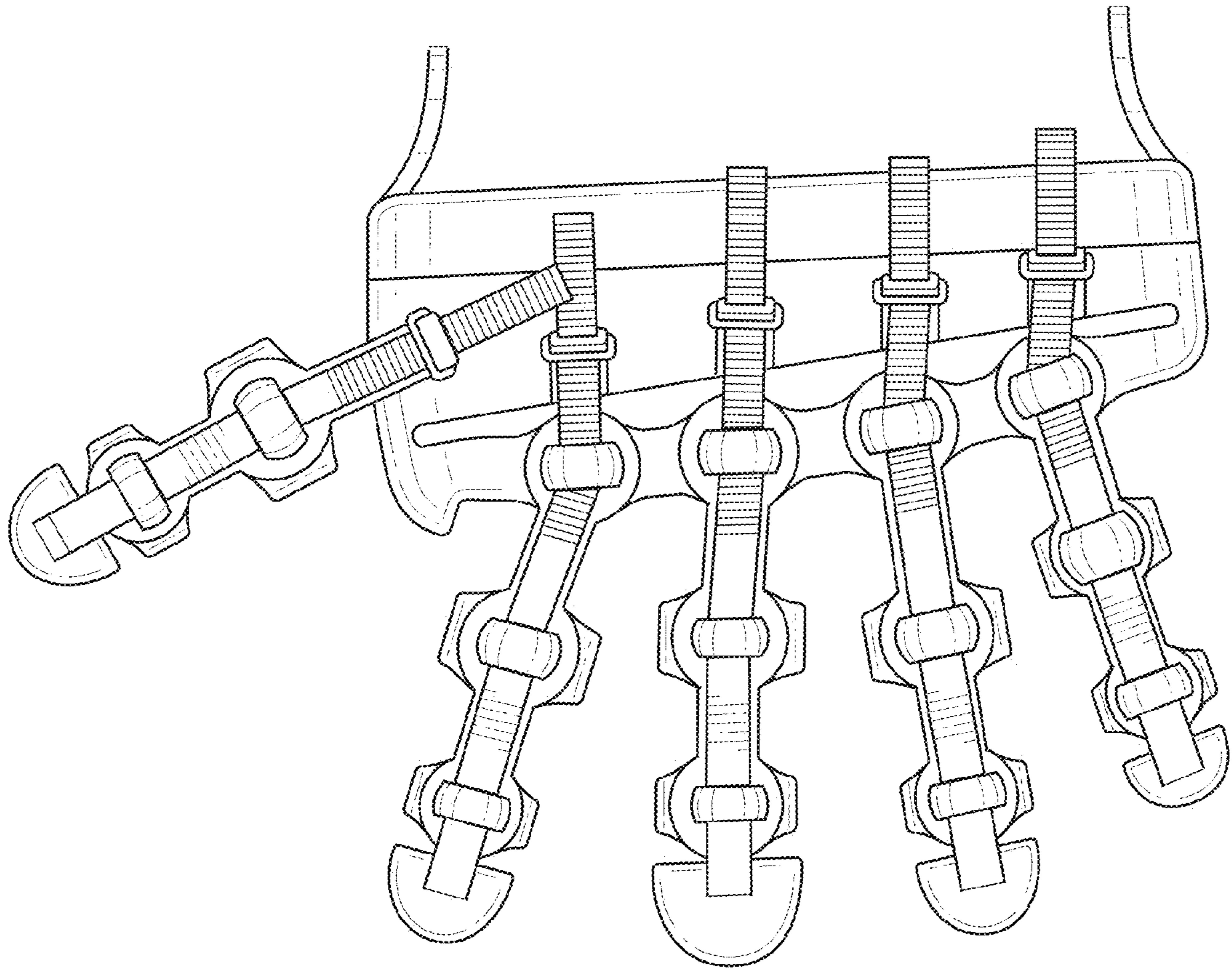


FIG. 7

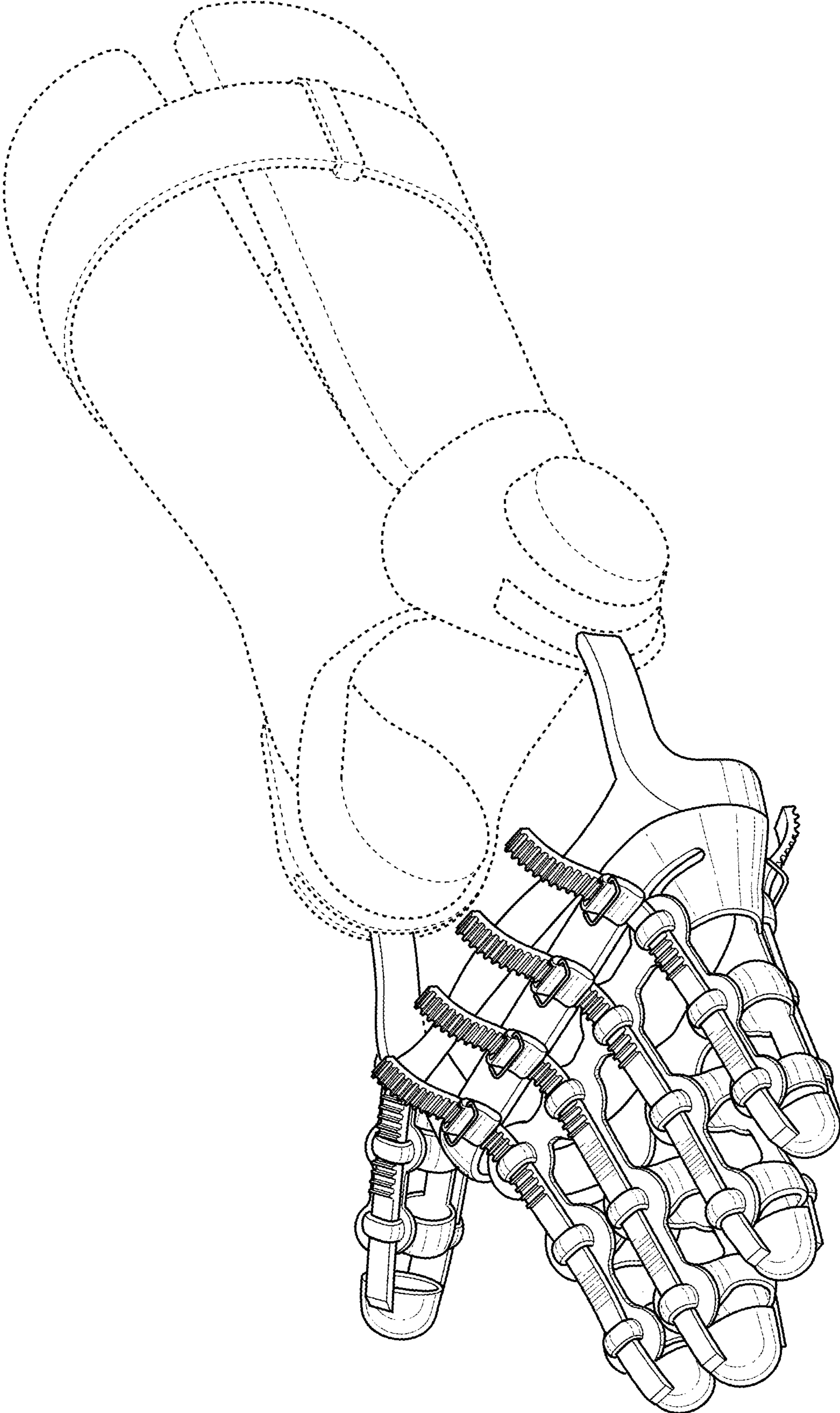


FIG. 8