



US00D881297S

(12) **United States Design Patent**  
**Poillucci**

(10) **Patent No.:** **US D881,297 S**

(45) **Date of Patent:** **\*\* Apr. 14, 2020**

- (54) **MOBILE EXERCISE APPARATUS**
- (71) Applicant: **Gary Poillucci**, Watertown, MA (US)
- (72) Inventor: **Gary Poillucci**, Watertown, MA (US)
- (\*\*) Term: **15 Years**
- (21) Appl. No.: **29/657,156**
- (22) Filed: **Jul. 19, 2018**
- (51) **LOC (12) Cl.** ..... **21-02**
- (52) **U.S. Cl.**  
USPC ..... **D21/684**; D24/190
- (58) **Field of Classification Search**  
USPC ..... D21/662, 677, 682, 683, 684, 686, 694;  
D24/190  
CPC ..... A63B 23/16; A63B 23/14; A63B 21/4021;  
A63B 21/4019; A63B 71/141  
See application file for complete search history.

5,380,259 A	1/1995	Robertson et al.
5,392,649 A	2/1995	Yoo
5,431,611 A	7/1995	Silagy
5,445,582 A	8/1995	Brown
5,451,191 A	9/1995	Beenken
5,454,769 A	10/1995	Chen
5,472,407 A	12/1995	Schenck
5,533,949 A	7/1996	Hwang
D374,469 S *	10/1996	Barra ..... D21/684
5,582,402 A	12/1996	Gilford
5,613,927 A	3/1997	Rothacker

(Continued)

(56) **References Cited**  
U.S. PATENT DOCUMENTS

2,634,976 A	4/1953	Mock
2,832,334 A	4/1958	Whitelaw
3,782,719 A	1/1974	Kuhlman
3,953,026 A	4/1976	Stokely
3,982,757 A	9/1976	McDonnell
4,039,183 A	8/1977	Sakurada
4,310,154 A	1/1982	Kauffman
4,343,465 A	8/1982	Allen
4,456,002 A	6/1984	Barber et al.
4,589,655 A	5/1986	Ammon
4,678,181 A	7/1987	Ditsch et al.
4,679,548 A	7/1987	Pecheux
D294,176 S *	2/1988	Tyo ..... D24/190
4,724,827 A	2/1988	Schenck
4,772,012 A	9/1988	Chesher
4,836,531 A	6/1989	Niks
4,875,469 A	10/1989	Brook et al.
5,100,126 A	3/1992	Liou
5,358,471 A	10/1994	Klotz
5,364,323 A	11/1994	Liu

FOREIGN PATENT DOCUMENTS

JP 2004008349 1/2004

*Primary Examiner* — Shannon W Morgan  
*Assistant Examiner* — Keith Frank  
(74) *Attorney, Agent, or Firm* — Thomas P. O’Connell;  
O’Connell Law Firm

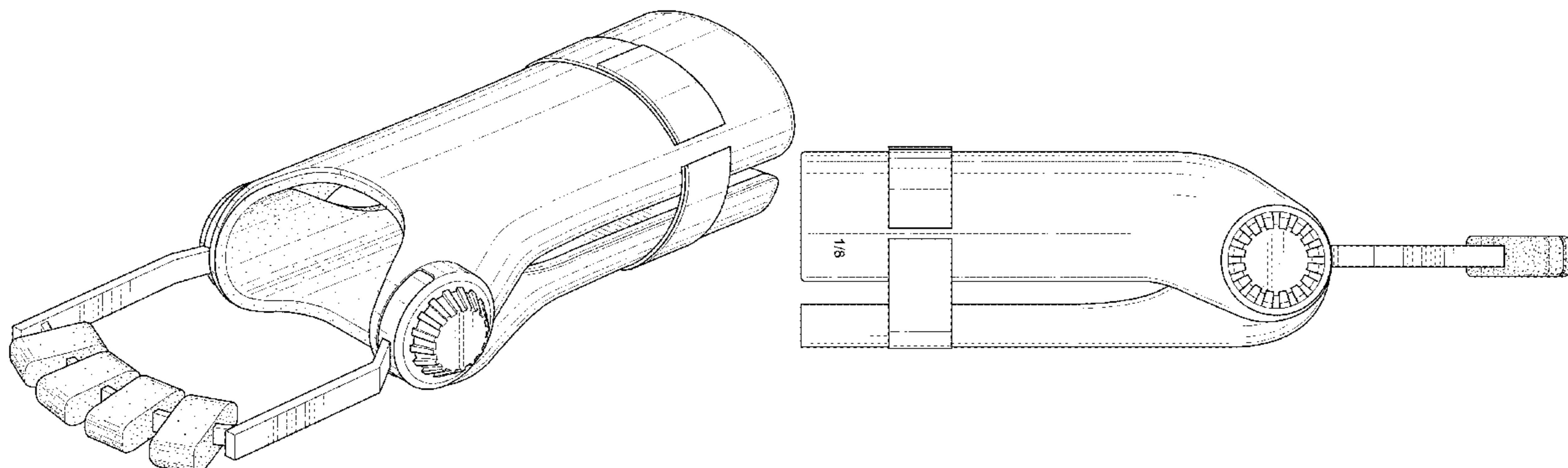
(57) **CLAIM**

The ornamental design for a mobile exercise apparatus, as shown and described.

**DESCRIPTION**

FIG. 1 is a perspective view of a mobile exercise apparatus showing my new design;  
FIG. 2 is a front elevation view thereof;  
FIG. 3 is a rear elevation view thereof;  
FIG. 4 is a right side elevation view thereof;  
FIG. 5 is a left side elevation view thereof;  
FIG. 6 is a top plan view thereof;  
FIG. 7 is a bottom plan view thereof; and,  
FIG. 8 is a perspective view of the mobile exercise apparatus with a base portion.  
The broken lines showing a base portion in FIG. 8 depicts environmental subject matter, which form no part of the claimed design.

**1 Claim, 8 Drawing Sheets**



(56)

References Cited

U.S. PATENT DOCUMENTS

5,683,351 A	11/1997	Kaiser et al.	8,622,939 B2 *	1/2014	Nguyen	A61H 1/0288
5,752,896 A	5/1998	White				482/44
6,146,341 A	11/2000	Sato et al.	8,678,984 B1	3/2014	Poillucci	
D436,148 S *	1/2001	Villepigue	8,998,833 B1 *	4/2015	AlSaffar	A61F 5/013
6,179,749 B1	1/2001	Thorn et al.				602/20
6,196,956 B1	3/2001	Brown	D809,614 S *	2/2018	Chiu	D21/684
6,241,643 B1	6/2001	Loft et al.	D824,527 S *	7/2018	Fried	D24/190
6,443,874 B1	9/2002	Bennett	D842,942 S *	3/2019	Phillips	D21/684
6,467,737 B1	10/2002	Dorantes	D858,661 S *	9/2019	Wang	D21/684
6,547,193 B2	4/2003	Money et al.	D860,340 S *	9/2019	Jones	D21/683
6,740,051 B2	5/2004	Hepburn et al.	10,423,227 B2 *	9/2019	Gu	G06F 3/016
6,827,653 B2	12/2004	Be	D865,086 S *	10/2019	Poillucci	D21/694
6,921,352 B1	7/2005	Stearns	10,478,370 B2 *	11/2019	Kemper	A61F 5/013
7,416,520 B1	8/2008	Danowski	2005/0037897 A1	2/2005	Chen	
7,537,547 B1	5/2009	Hosick et al.	2006/0178247 A1	8/2006	Liu	
8,491,447 B1 *	7/2013	Koranic	2007/0072739 A1	3/2007	Kaufman	
			2009/0197741 A1	8/2009	Poillucci et al.	
8,603,018 B2 *	12/2013	Anglada	2009/0318269 A1	12/2009	D'Addario et al.	
			2016/0259417 A1 *	9/2016	Gu	G06F 3/016
			2016/0296345 A1 *	10/2016	Deshpande	A61H 1/0288
			2019/0152049 A1 *	5/2019	Luijten	A61B 5/225

\* cited by examiner

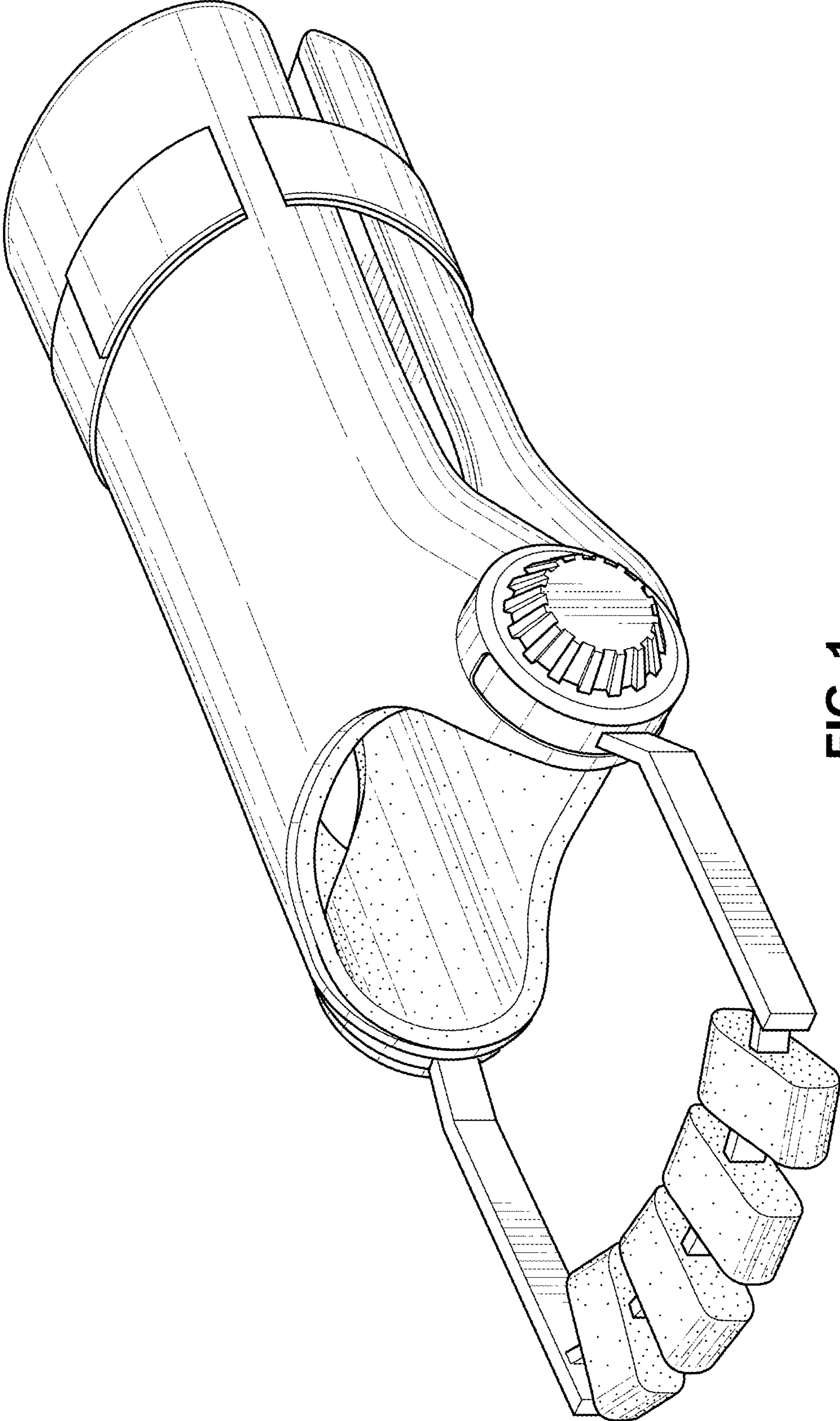


FIG. 1

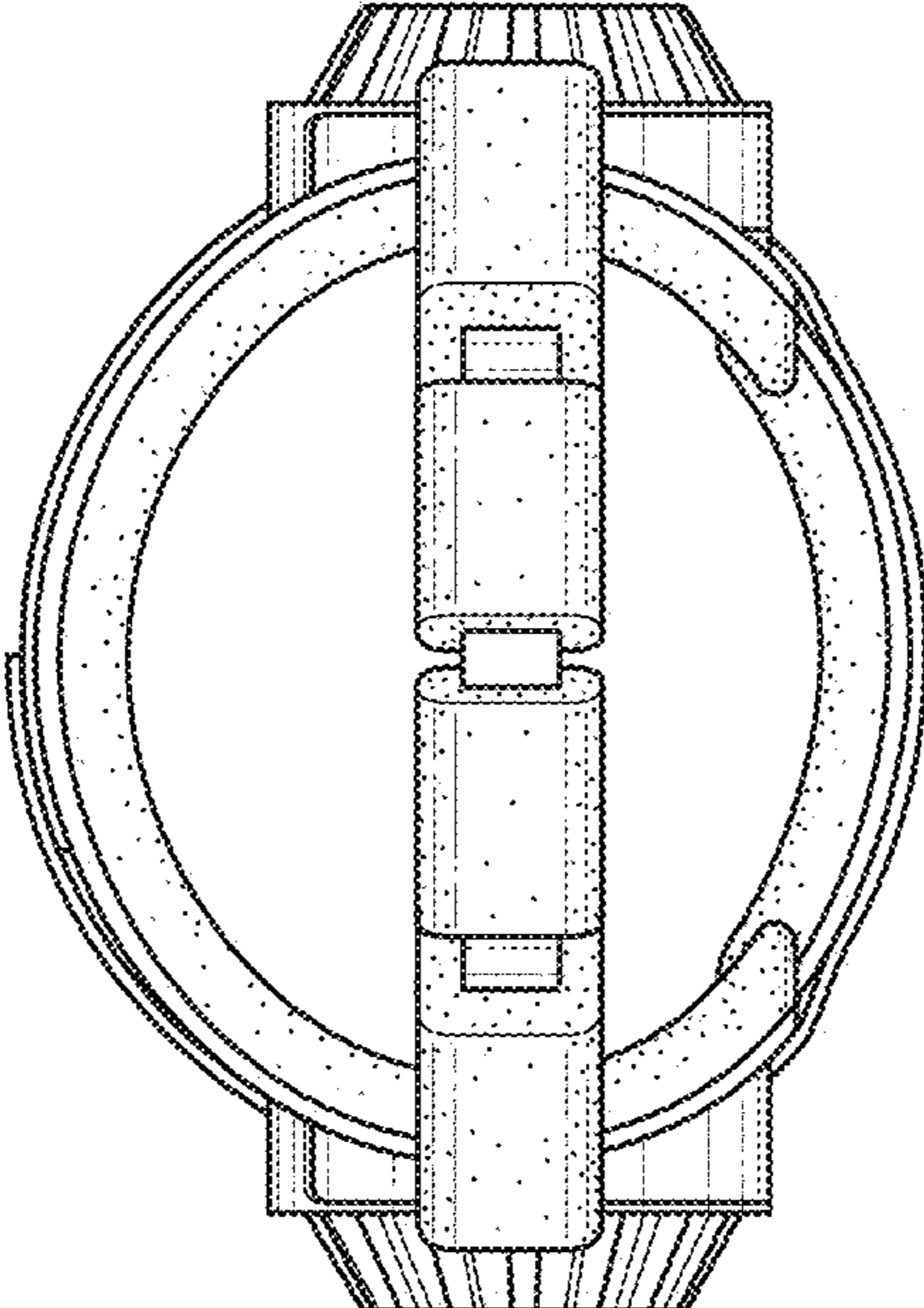


FIG. 2

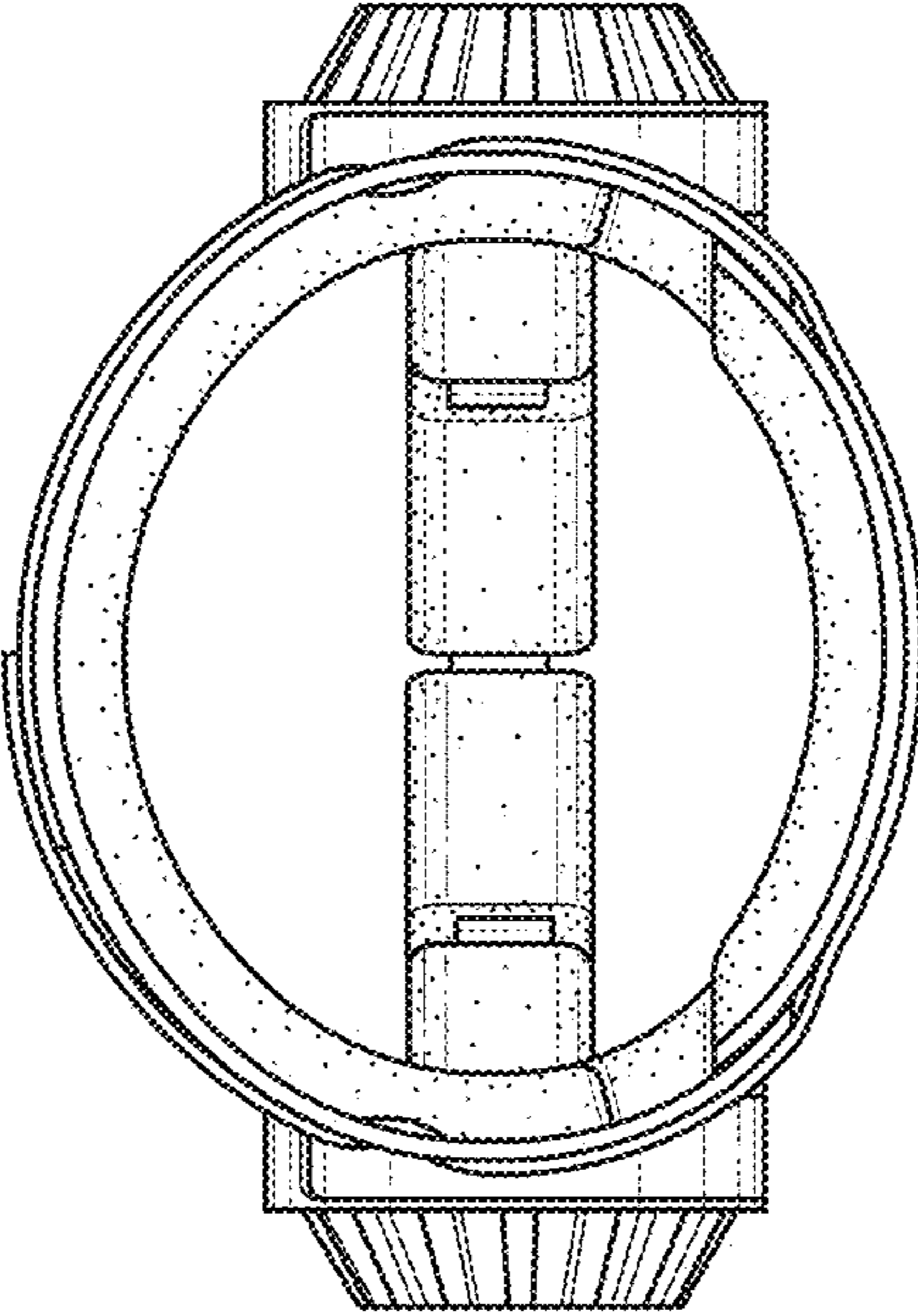


FIG. 3

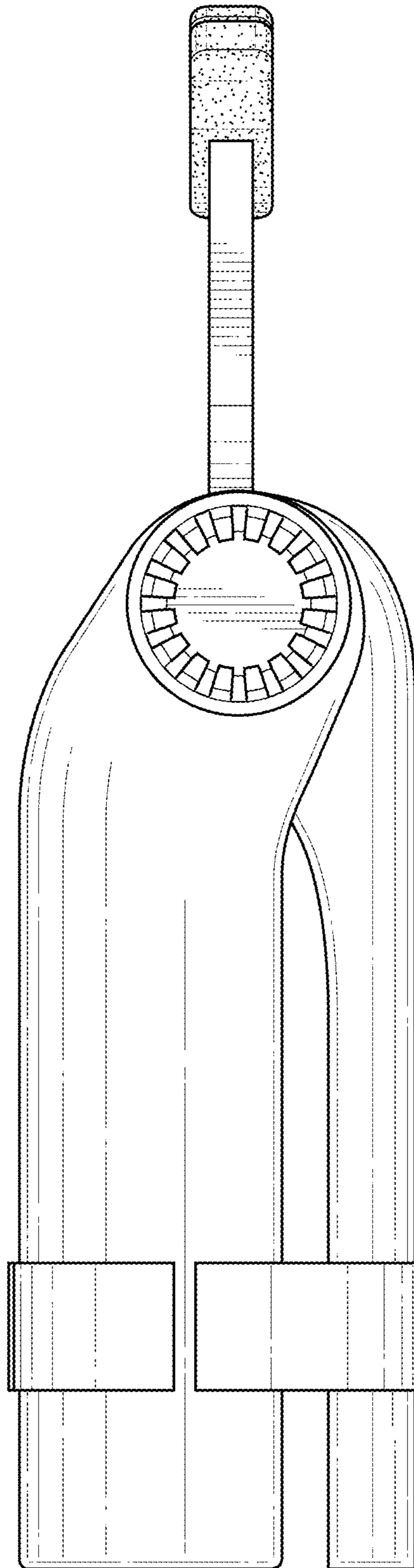


FIG. 4

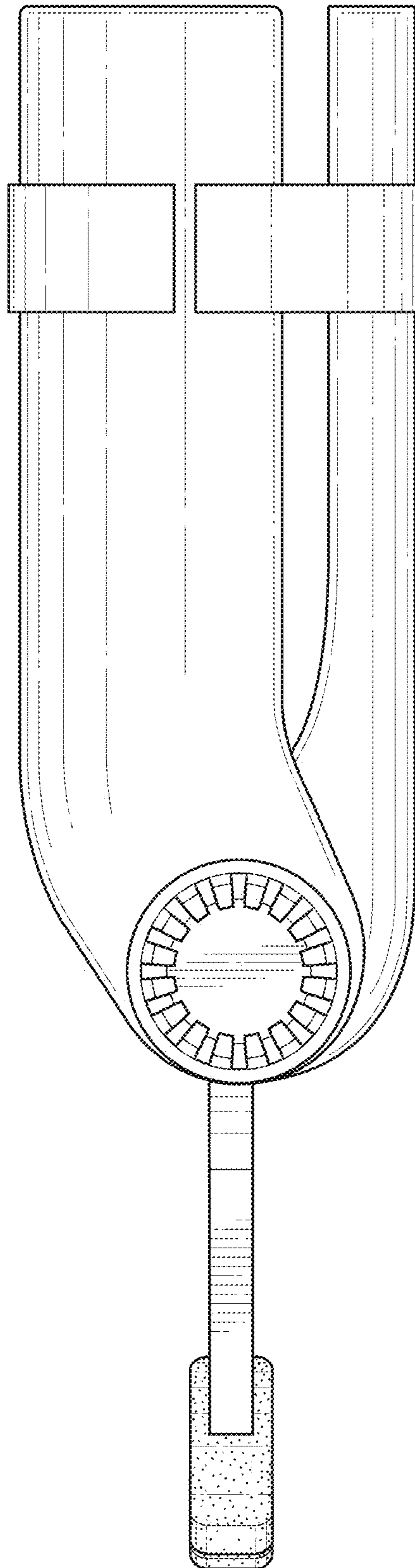


FIG. 5

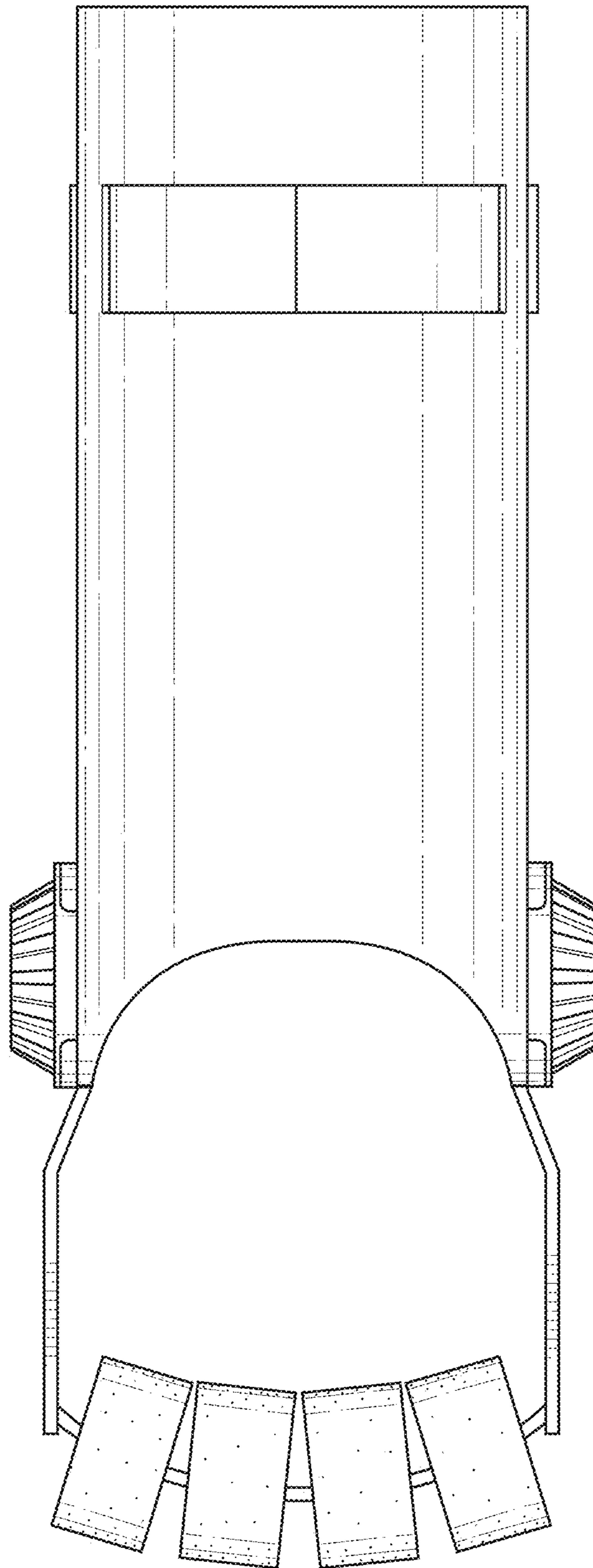


FIG. 6



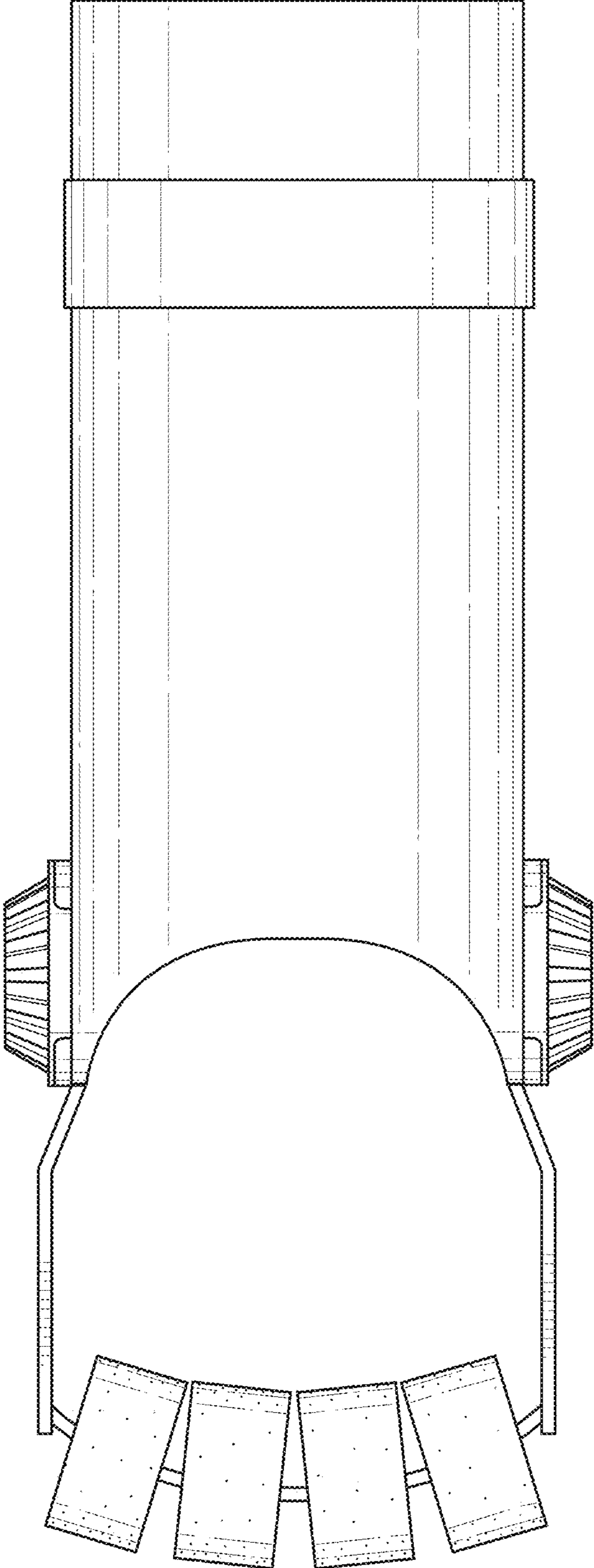


FIG. 7

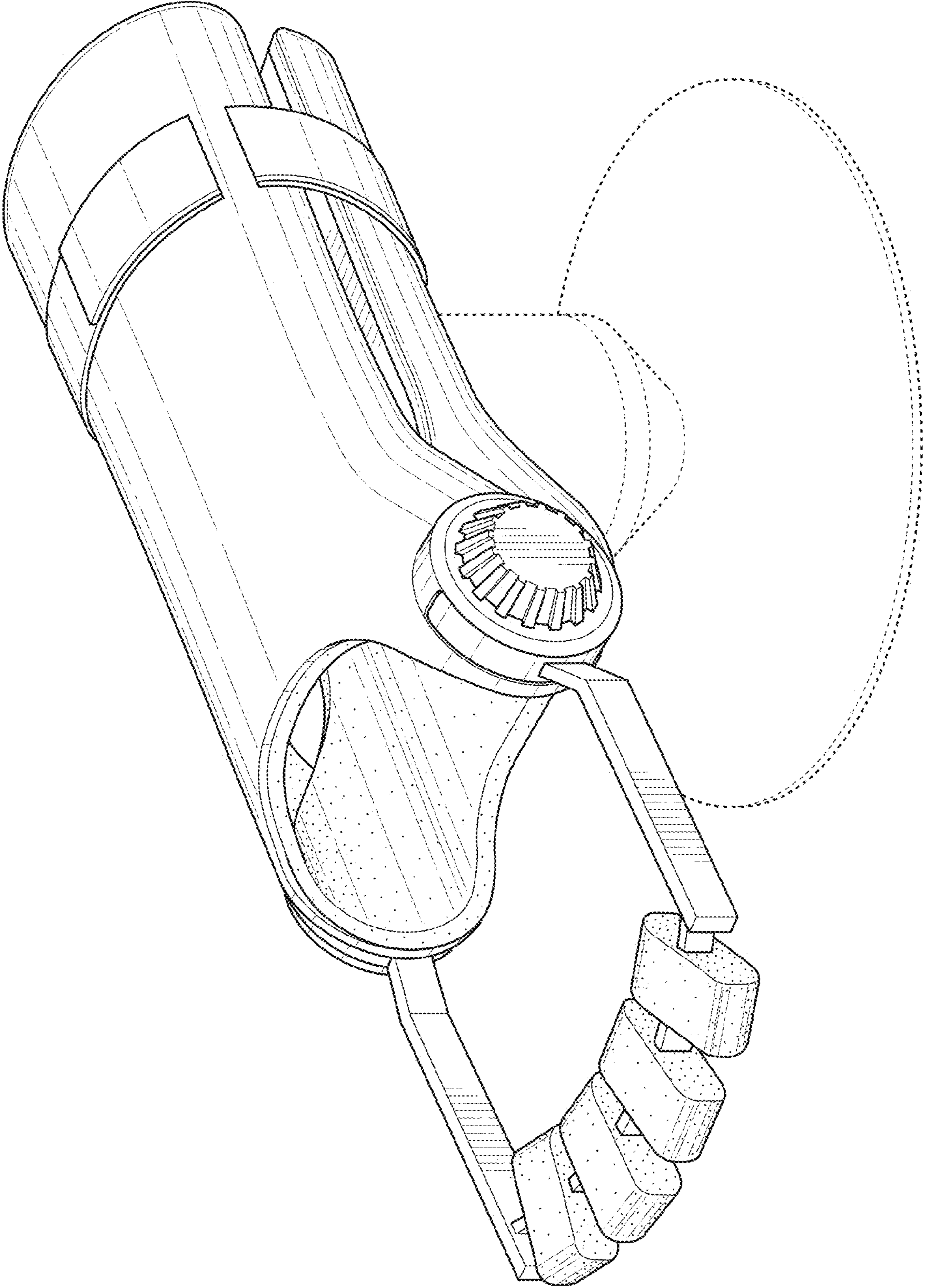


FIG. 8