



US00D881296S

(12) **United States Design Patent**  
**Poillucci**

(10) **Patent No.:** **US D881,296 S**  
(45) **Date of Patent:** **\*\* Apr. 14, 2020**

- (54) **EXERCISE APPARATUS**
- (71) Applicant: **Gary Poillucci**, Watertown, MA (US)
- (72) Inventor: **Gary Poillucci**, Watertown, MA (US)
- (\*\*) Term: **15 Years**
- (21) Appl. No.: **29/657,153**
- (22) Filed: **Jul. 19, 2018**
- (51) **LOC (12) Cl.** ..... **21-02**
- (52) **U.S. Cl.**  
USPC ..... **D21/684**; D24/190
- (58) **Field of Classification Search**  
USPC ..... D21/662, 677, 682, 683, 684, 686, 694;  
D24/190  
CPC ..... A63B 23/16; A63B 23/14; A63B 21/4021;  
A63B 21/4019; A63B 71/141  
See application file for complete search history.

- 5,380,259 A 1/1995 Robertson et al.
- 5,392,649 A 2/1995 Yoo
- 5,431,611 A 7/1995 Silagy
- 5,445,582 A 8/1995 Brown
- 5,451,191 A 9/1995 Beenken
- 5,454,769 A 10/1995 Chen
- 5,472,407 A 12/1995 Schenck
- 5,533,949 A 7/1996 Hwang

(Continued)

**FOREIGN PATENT DOCUMENTS**

JP 2004008349 1/2004

*Primary Examiner* — Shannon W Morgan

*Assistant Examiner* — Keith Frank

(74) *Attorney, Agent, or Firm* — Thomas P. O'Connell;  
O'Connell Law Firm

(57) **CLAIM**

The ornamental design for an exercise apparatus, as shown and described.

(56) **References Cited**

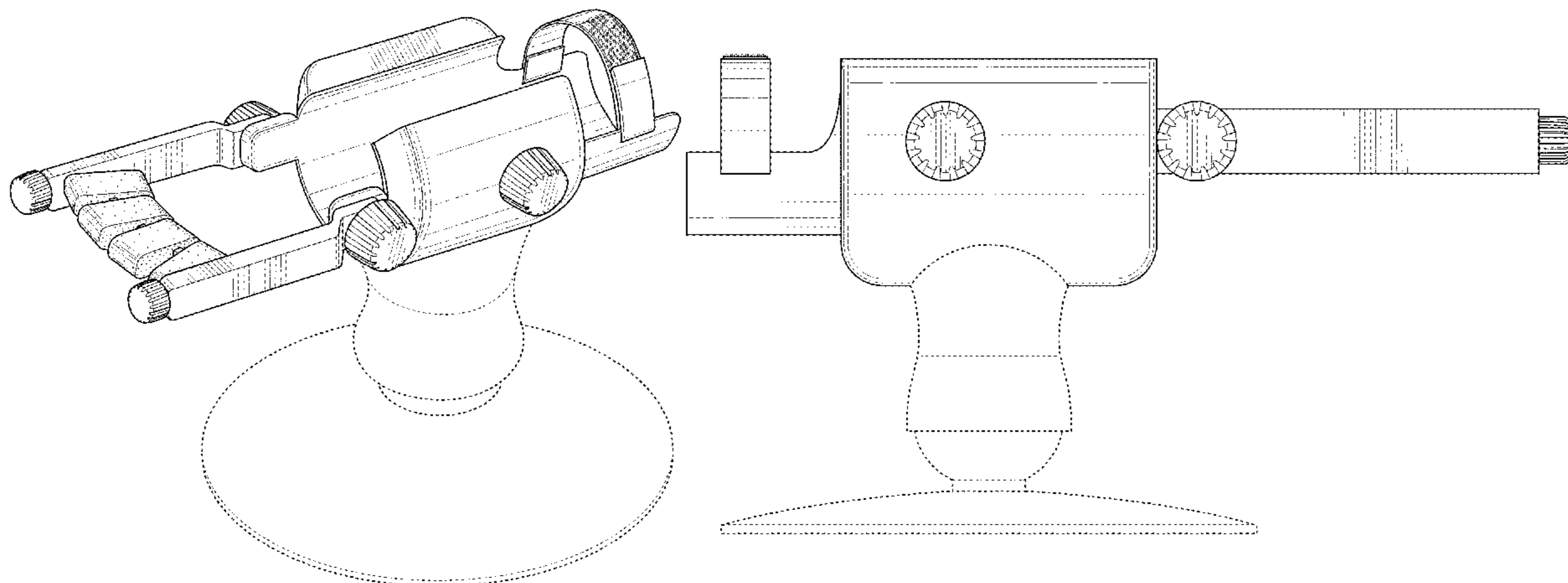
**U.S. PATENT DOCUMENTS**

- 2,634,976 A 4/1953 Mock
- 2,832,334 A 4/1958 Whitelaw
- 3,782,719 A 1/1974 Kuhlman
- 3,953,026 A 4/1976 Stokely
- 3,982,757 A 9/1976 McDonnell
- 4,039,183 A 8/1977 Sakurada
- 4,310,154 A 1/1982 Kauffman
- 4,343,465 A 8/1982 Allen
- 4,456,002 A 6/1984 Barber et al.
- 4,589,655 A 5/1986 Ammon
- 4,678,181 A 7/1987 Ditsch et al.
- 4,679,548 A 7/1987 Pecheux
- D294,176 S \* 2/1988 Tyo ..... D24/190
- 4,724,827 A 2/1988 Schenck
- 4,772,012 A 9/1988 Chesher
- 4,836,531 A 6/1989 Niks
- 4,875,469 A 10/1989 Brook et al.
- 5,100,126 A 3/1992 Liou
- 5,358,471 A 10/1994 Klotz
- 5,364,323 A 11/1994 Liu

**DESCRIPTION**

FIG. 1 is a perspective view of an exercise apparatus showing my new design;  
 FIG. 2 is a perspective view of the exercise apparatus shown with a push bar in an alternatively pivoted position;  
 FIG. 3 is a left side elevation view of the exercise apparatus shown in FIG. 1;  
 FIG. 4 is a right side elevation view thereof;  
 FIG. 5 is a rear side elevation view thereof;  
 FIG. 6 is a front elevation view thereof;  
 FIG. 7 is a top plan view thereof;  
 FIG. 8 is a bottom plan view thereof; and,  
 FIG. 9 is a perspective view of the exercise apparatus with an alternative base portion.  
 The broken lines shown in the drawings are for the purpose of illustrating portions of the exercise apparatus, which form no part of the claimed design.

**1 Claim, 9 Drawing Sheets**



(56)

References Cited

U.S. PATENT DOCUMENTS

D374,469 S *	10/1996	Barra .....	D21/684	8,603,018 B2 *	12/2013	Anglada .....	A61F 5/013 473/213
5,582,402 A	12/1996	Gilford		8,622,939 B2 *	1/2014	Nguyen .....	A61H 1/0288 482/44
5,613,927 A	3/1997	Rothacker		8,678,984 B1	3/2014	Poillucci	
5,683,351 A	11/1997	Kaiser et al.		8,998,833 B1 *	4/2015	AlSaffar .....	A61F 5/013 602/20
5,752,896 A	5/1998	White		D809,614 S *	2/2018	Chiu .....	D21/684
6,146,341 A	11/2000	Sato et al.		D824,527 S *	7/2018	Fried .....	D24/190
D436,148 S *	1/2001	Villepigue .....	D21/684	D842,942 S *	3/2019	Phillips .....	D21/684
6,179,749 B1	1/2001	Thorn et al.		D858,661 S *	9/2019	Wang .....	D21/684
6,196,956 B1	3/2001	Brown		D860,340 S *	9/2019	Jones .....	D21/683
6,241,643 B1	6/2001	Loft et al.		10,423,227 B2 *	9/2019	Gu .....	G06F 3/016
6,443,874 B1	9/2002	Bennett		D865,086 S *	10/2019	Poillucci .....	D21/694
6,467,737 B1	10/2002	Dorantes		10,478,370 B2 *	11/2019	Kamper .....	A61F 5/013
6,547,193 B2	4/2003	Money et al.		2005/0037897 A1	2/2005	Chen	
6,740,051 B2	5/2004	Hepburn et al.		2006/0178247 A1	8/2006	Liu	
6,827,653 B2	12/2004	Be		2007/0072739 A1	3/2007	Kaufman	
6,921,352 B1	7/2005	Stearns		2009/0197741 A1	8/2009	Poillucci et al.	
7,416,520 B1	8/2008	Danowski		2009/0318269 A1	12/2009	D'Addario et al.	
7,537,547 B1	5/2009	Hosick et al.		2016/0259417 A1 *	9/2016	Gu .....	G06F 3/016
8,491,447 B1 *	7/2013	Koranic .....	A63B 21/0421 482/44	2016/0296345 A1 *	10/2016	Deshpande .....	A61H 1/0288
				2019/0152049 A1 *	5/2019	Luijten .....	A61B 5/225

\* cited by examiner

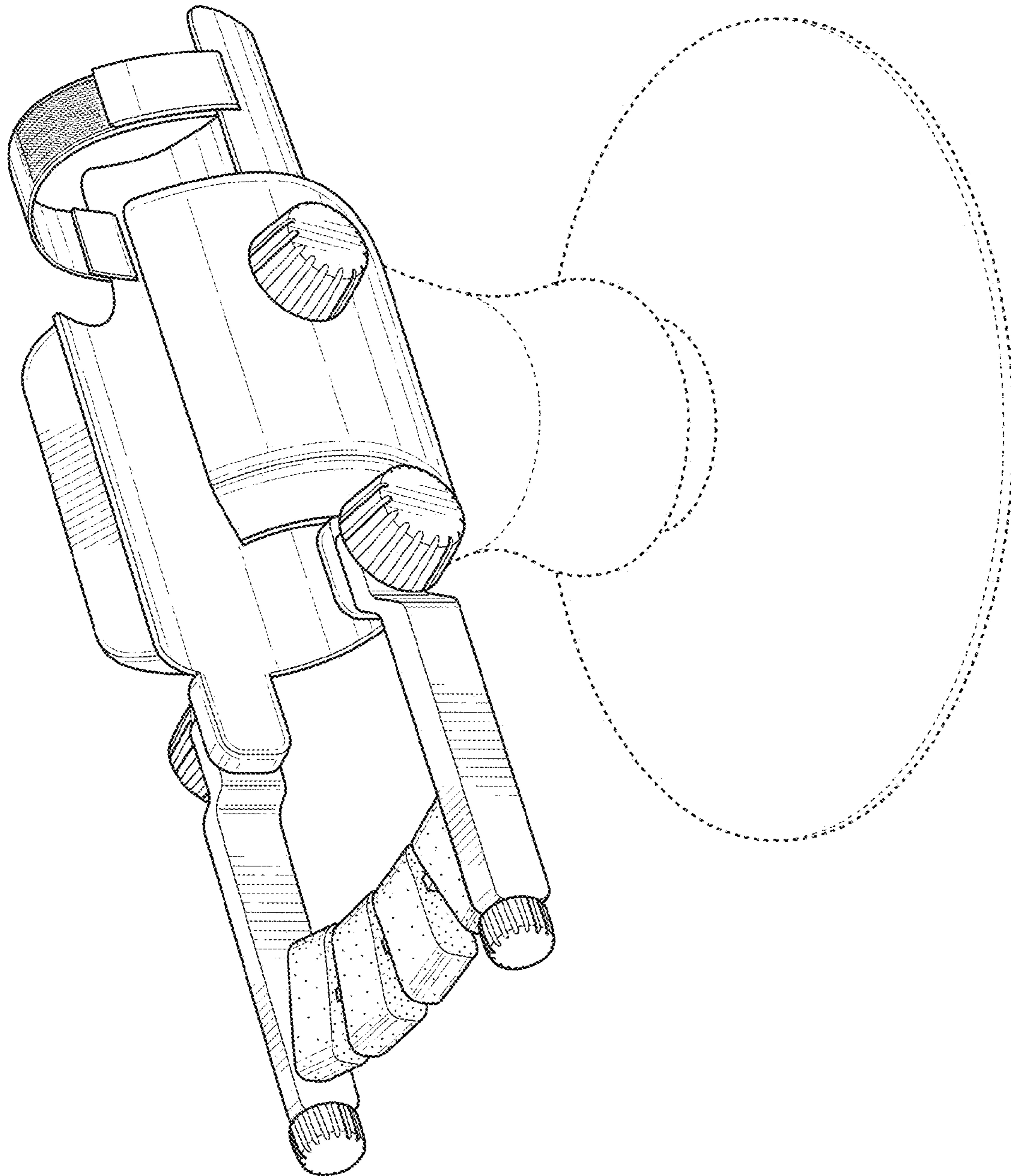


FIG. 1

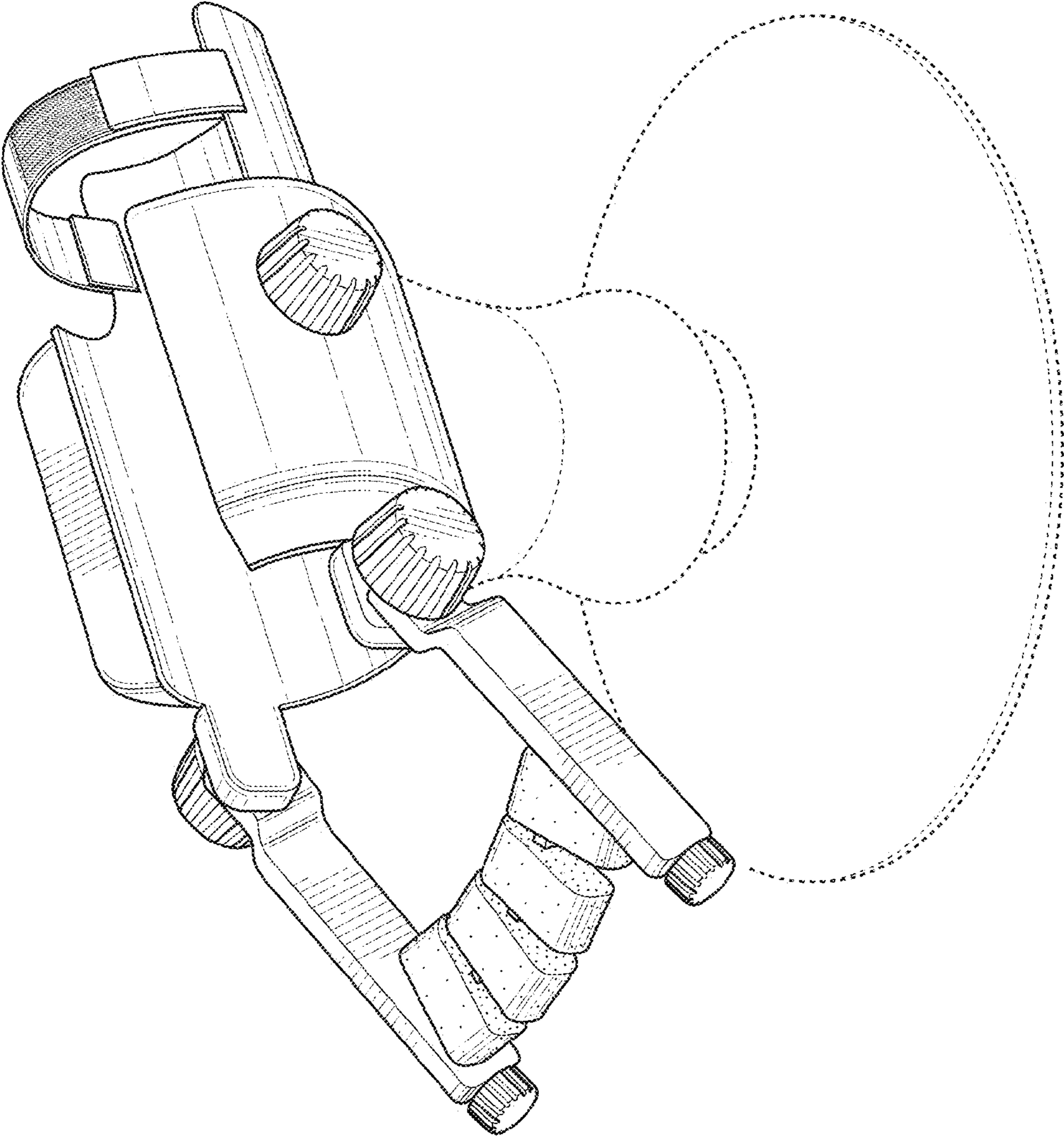


FIG. 2

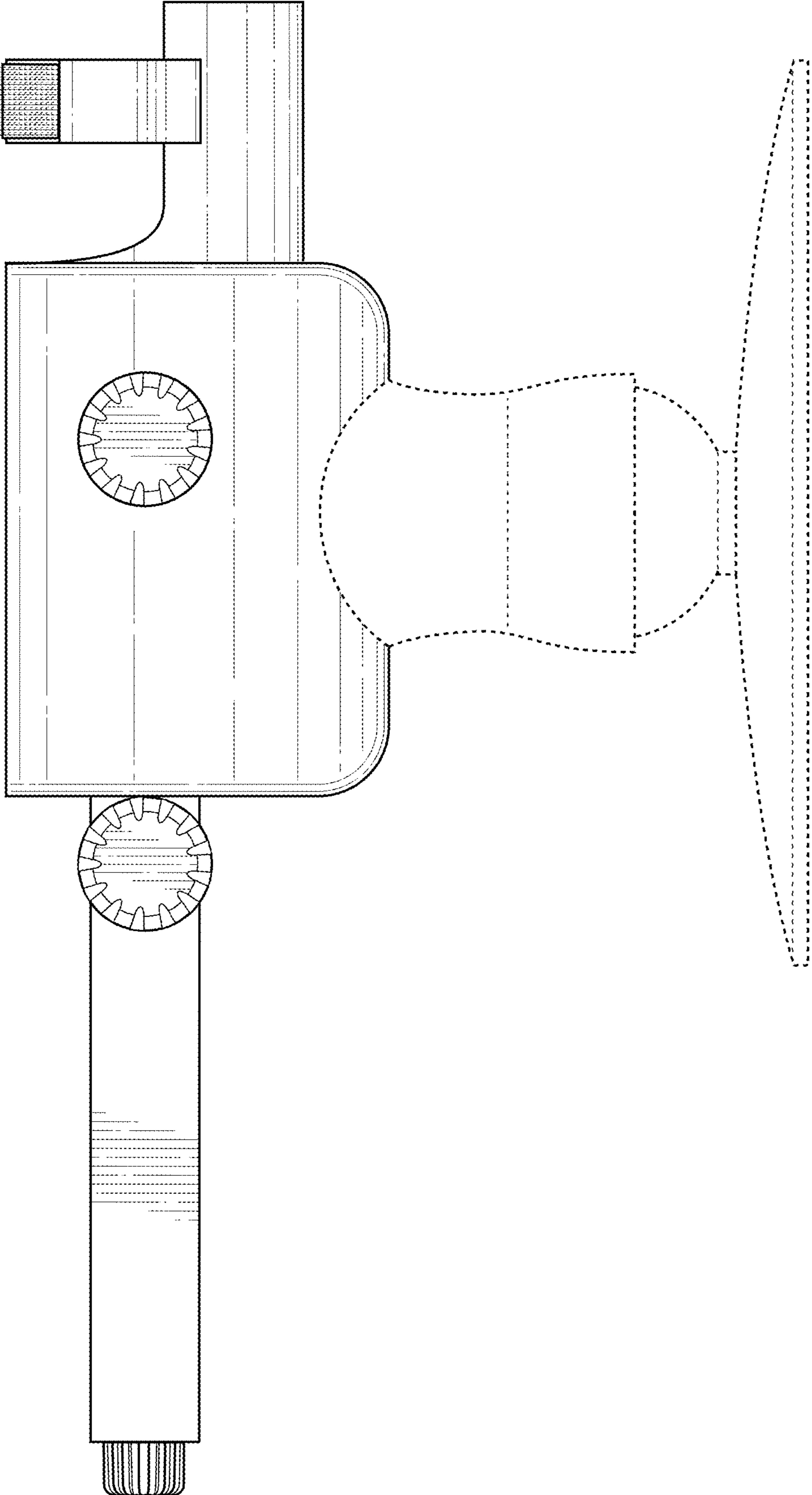


FIG. 3

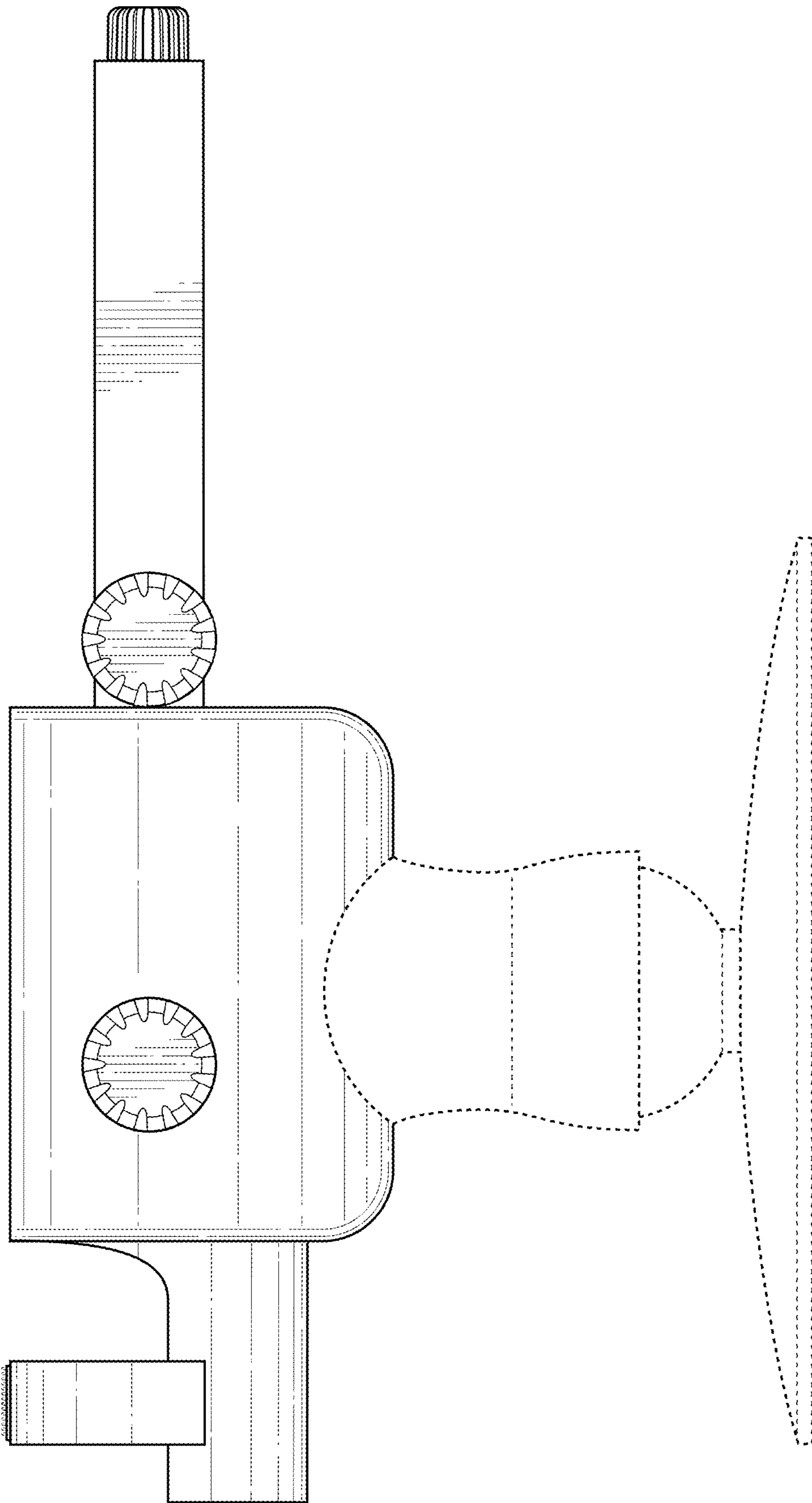


FIG. 4

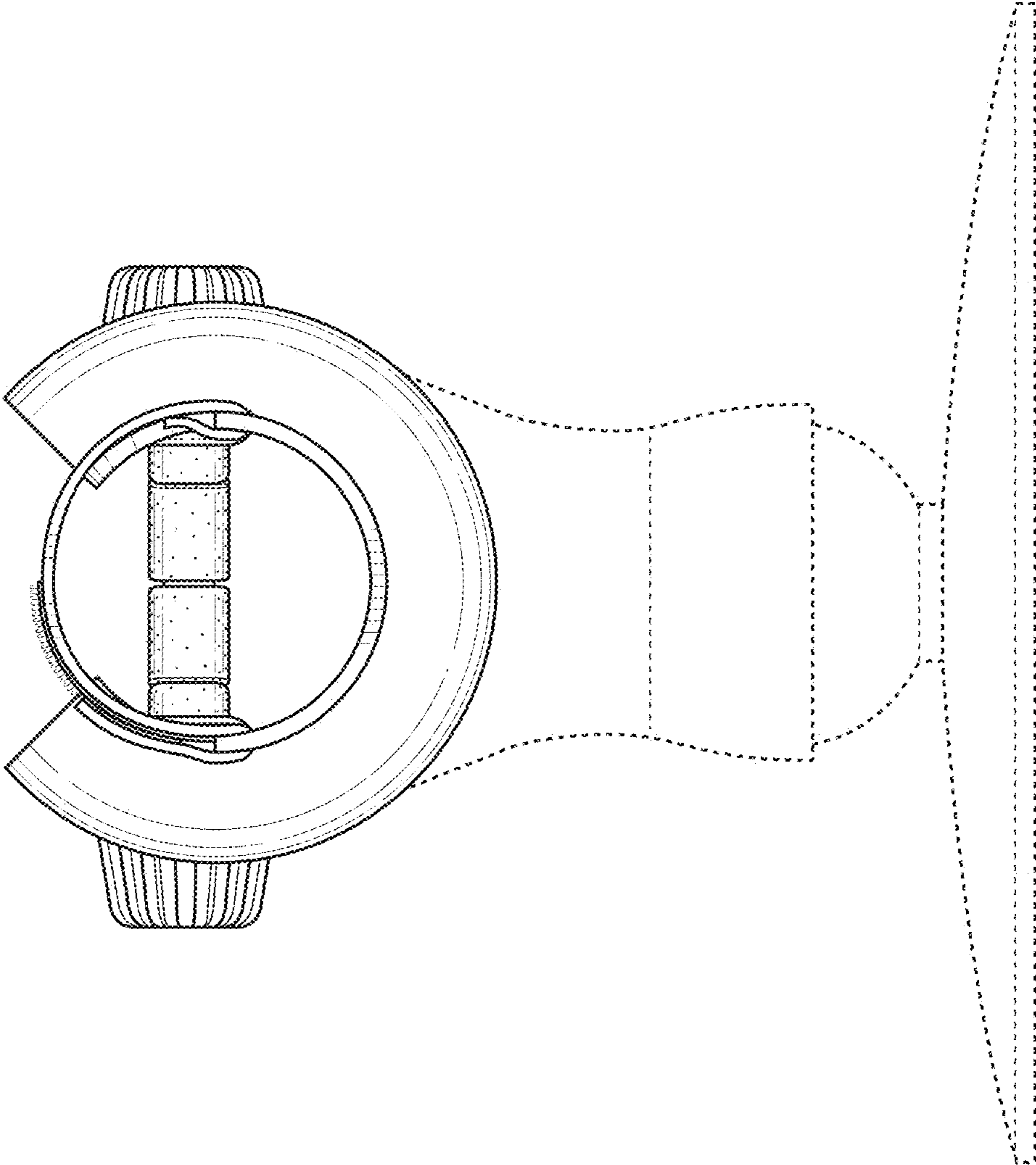


FIG. 5

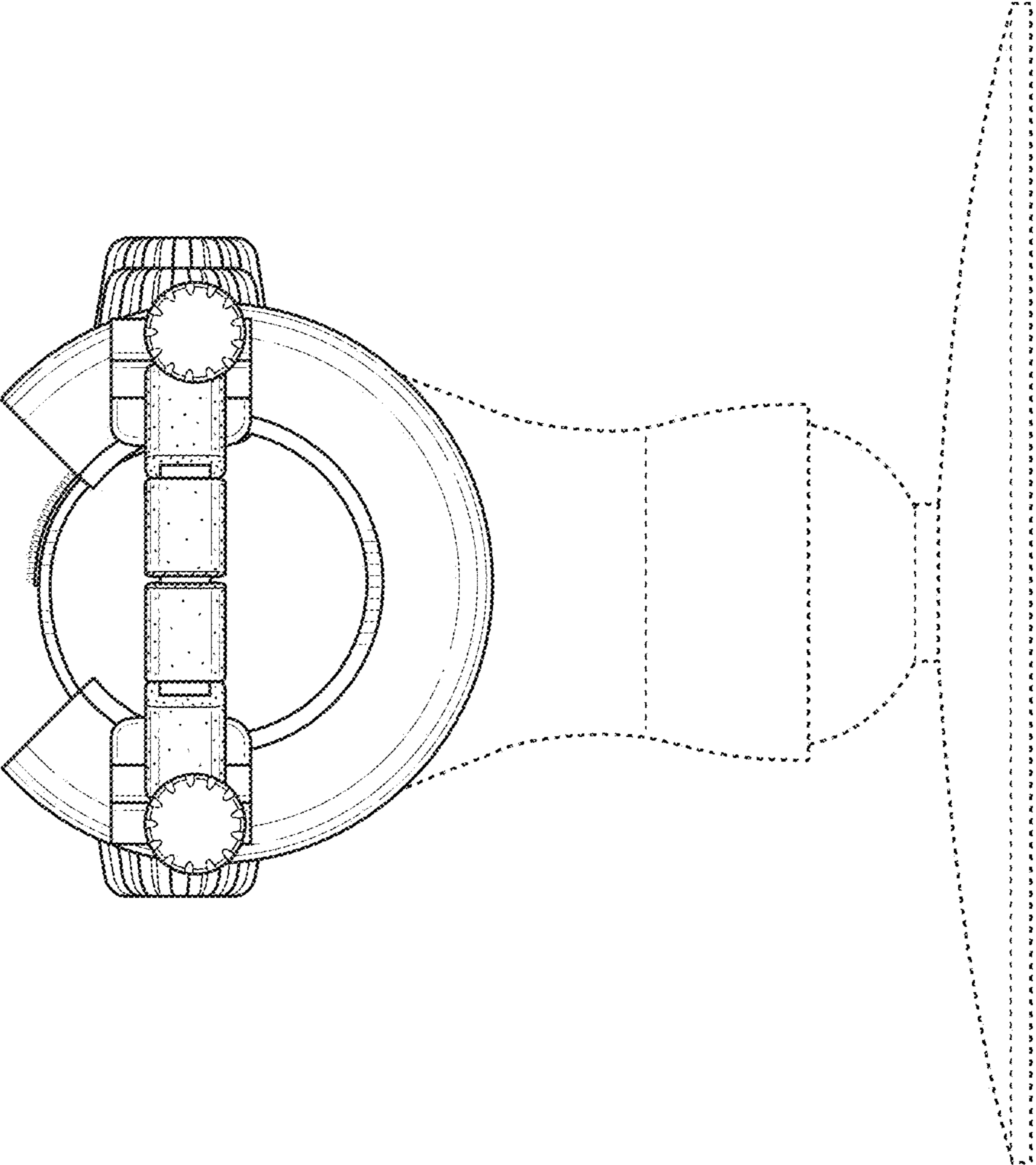


FIG. 6



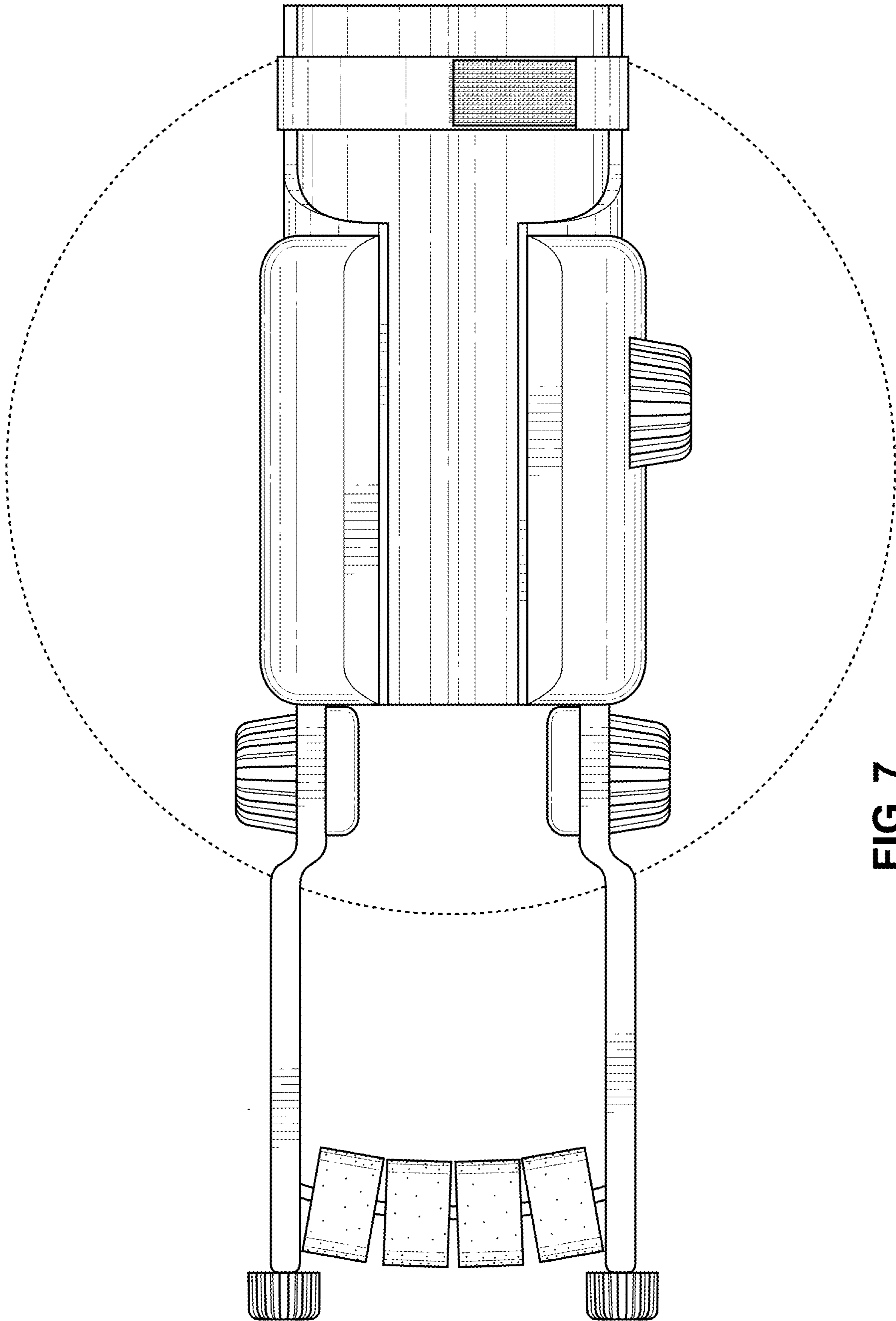


FIG. 7

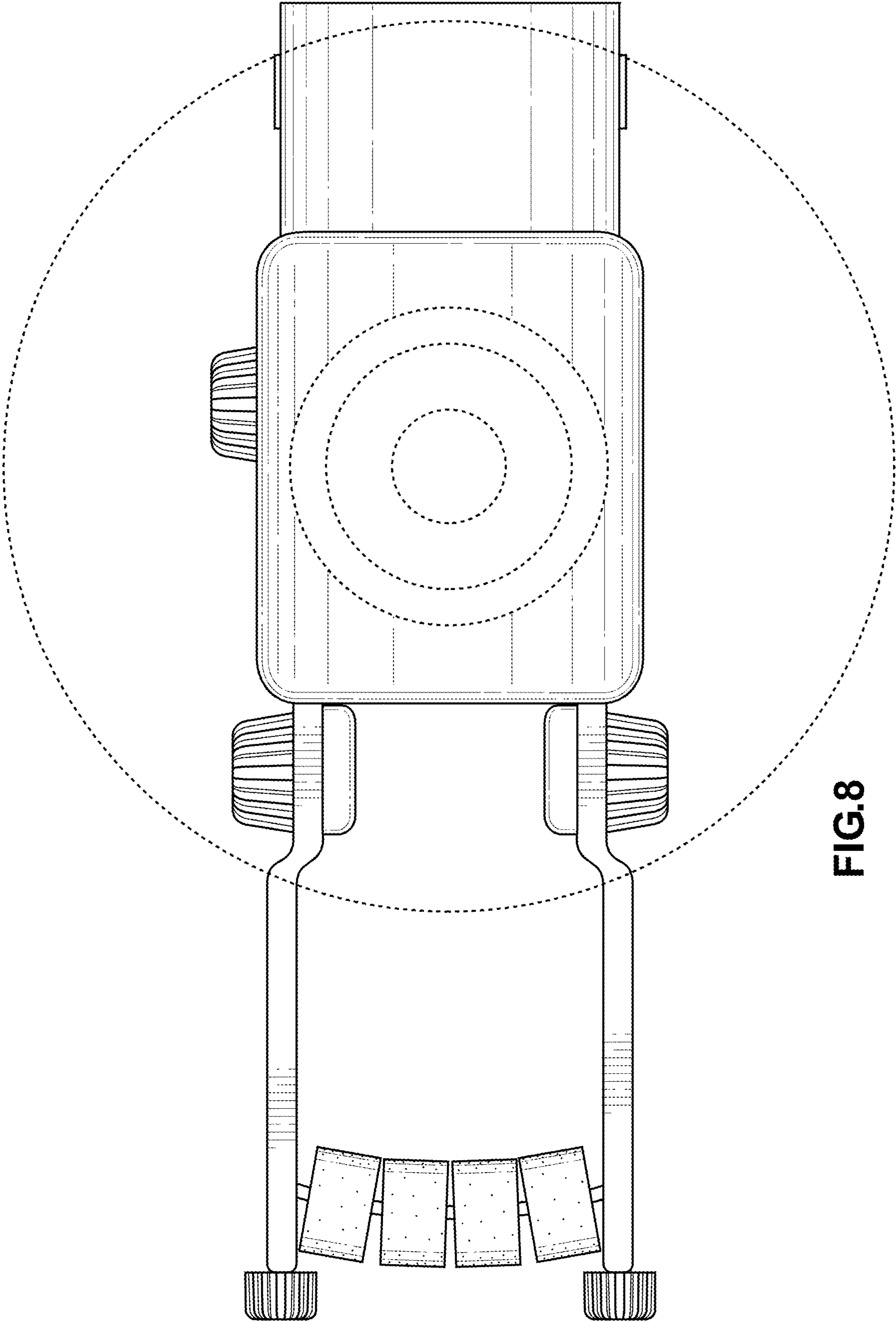


FIG.8

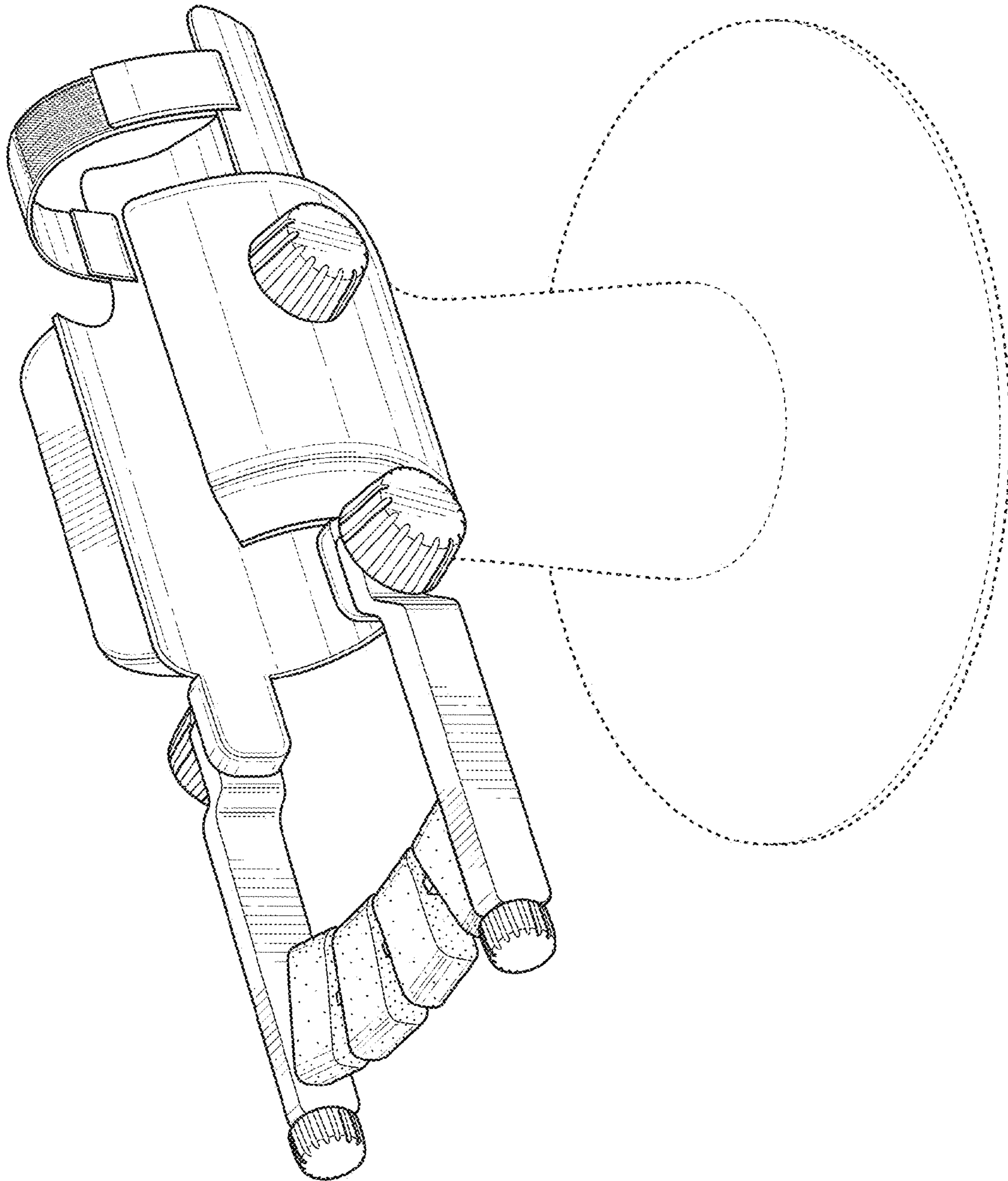


FIG. 9