



US00D881295S

(12) **United States Design Patent** (10) **Patent No.:** **US D881,295 S**
Brezovar (45) **Date of Patent:** **** Apr. 14, 2020**

- (54) **DUMBBELL**
- (71) Applicant: **Life Fitness, LLC**, Rosemont, IL (US)
- (72) Inventor: **Wayne T. Brezovar**, Chicago, IL (US)
- (73) Assignee: **Life Fitness, LLC**, Rosemont, IL (US)
- (**) Term: **15 Years**
- (21) Appl. No.: **29/698,449**
- (22) Filed: **Jul. 17, 2019**

- D628,251 S 11/2010 Krull et al.
- D650,289 S 12/2011 Bosilijevac
- D663,795 S 7/2012 Hillson
- D673,230 S 12/2012 Qin
- D685,441 S 7/2013 Januszek
- D688,758 S * 8/2013 Davies, III D21/680
- D692,072 S 10/2013 Childs
- D692,970 S 11/2013 Lien
- D736,868 S 8/2015 Lien
- D739,482 S 9/2015 Lien
- D740,379 S 10/2015 Lien

(Continued)

Related U.S. Application Data

- (62) Division of application No. 29/632,013, filed on Jan. 4, 2018, now Pat. No. Des. 861,085.
- (51) **LOC (12) Cl.** **21-02**
- (52) **U.S. Cl.**
USPC **D21/681**
- (58) **Field of Classification Search**
USPC D21/364, 400, 505, 662, 678, 679, 680,
D21/681, 683, 694; D30/160; 482/27-30
CPC A63B 21/072; A63B 21/0726; A63B
21/0724; A63B 21/4049
See application file for complete search history.

FOREIGN PATENT DOCUMENTS

- CN 102814023 12/2012
- GB 2492079 12/2012

(Continued)

Primary Examiner — Shannon W Morgan
Assistant Examiner — Keith Frank
 (74) *Attorney, Agent, or Firm* — Andrus Intellectual Property Law, LLP

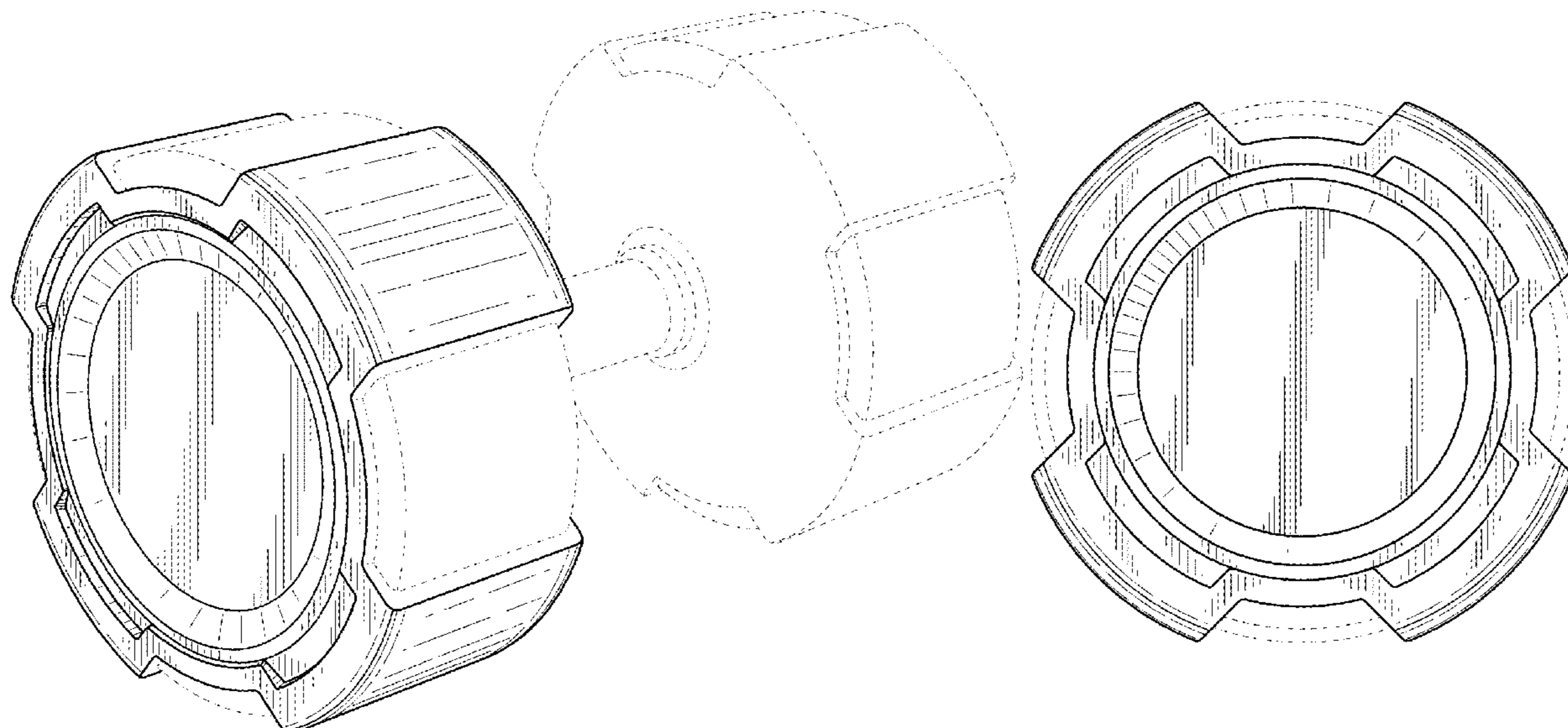
(57) **CLAIM**

The ornamental design for a dumbbell, as shown and described.

DESCRIPTION

FIG. 1 is a front perspective view of a dumbbell according to the present design.
 FIG. 2 is an end view thereof.
 FIG. 3 is an opposite end view thereof.
 FIG. 4 is a front view thereof.
 FIG. 5 is a rear view thereof
 FIG. 6 is a top view thereof; and,
 FIG. 7 is a bottom view thereof.
 The broken lines shown in the figures are for the purpose of illustrating portions of the dumbbell, which form no part of the claimed design.

1 Claim, 4 Drawing Sheets



(56)

References Cited

U.S. PATENT DOCUMENTS

D746,168 S * 12/2015 Vaughan D11/81
 D749,177 S 2/2016 Childs
 D751,157 S 3/2016 Irwin
 D751,940 S * 3/2016 Vaughan D11/81
 D751,941 S * 3/2016 Vaughan D11/81
 D763,370 S 8/2016 Tung
 D799,610 S 10/2017 Ho
 D801,452 S 10/2017 Buikema
 D802,064 S 11/2017 Hillson
 D844,077 S * 3/2019 Arceta D21/680
 D851,711 S * 6/2019 Brezovar D21/680
 D857,130 S * 8/2019 Arceta D21/680
 D857,811 S * 8/2019 Hendrickson D21/681
 2002/0128127 A1 * 9/2002 Chen A63B 21/0726
 482/106
 2006/0240959 A1 * 10/2006 Huang A63B 21/0726
 482/108

2008/0214368 A1 * 9/2008 Cao A63B 21/0726
 482/108
 2009/0247369 A1 * 10/2009 Chang A63B 21/06
 482/49
 2010/0210427 A1 8/2010 Yu
 2010/0255960 A1 10/2010 Kessler
 2011/0306475 A1 12/2011 Caswell et al.
 2013/0012367 A1 1/2013 Williams
 2013/0157814 A1 6/2013 Nowicki
 2014/0005013 A1 * 1/2014 Kassemi A63B 21/0726
 482/108
 2015/0038303 A1 2/2015 Adkins

FOREIGN PATENT DOCUMENTS

GB 2525012 10/2015
 WO 2013/181757 12/2013
 WO 2014/008568 1/2014
 WO 2017/024611 2/2017

* cited by examiner

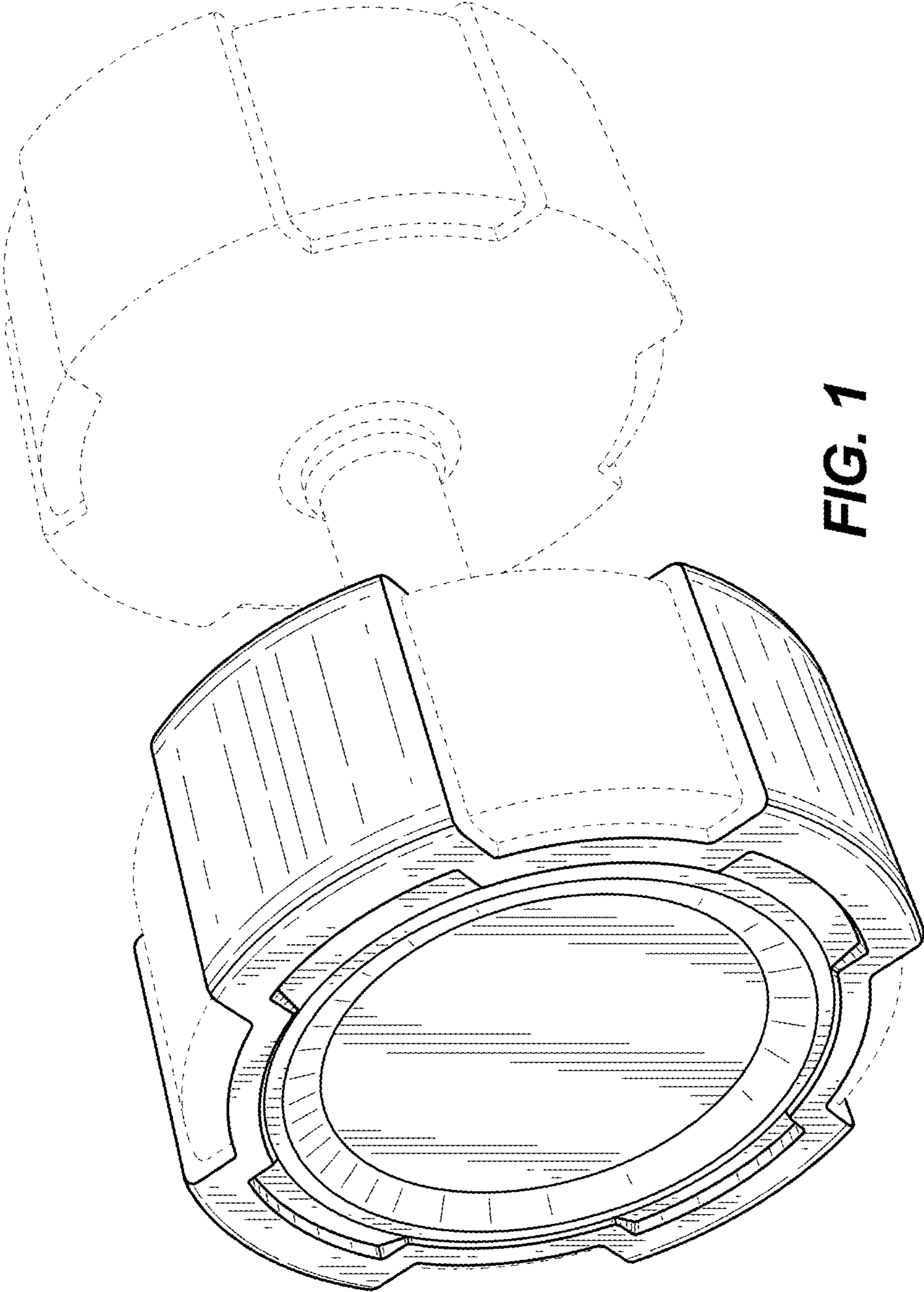


FIG. 1

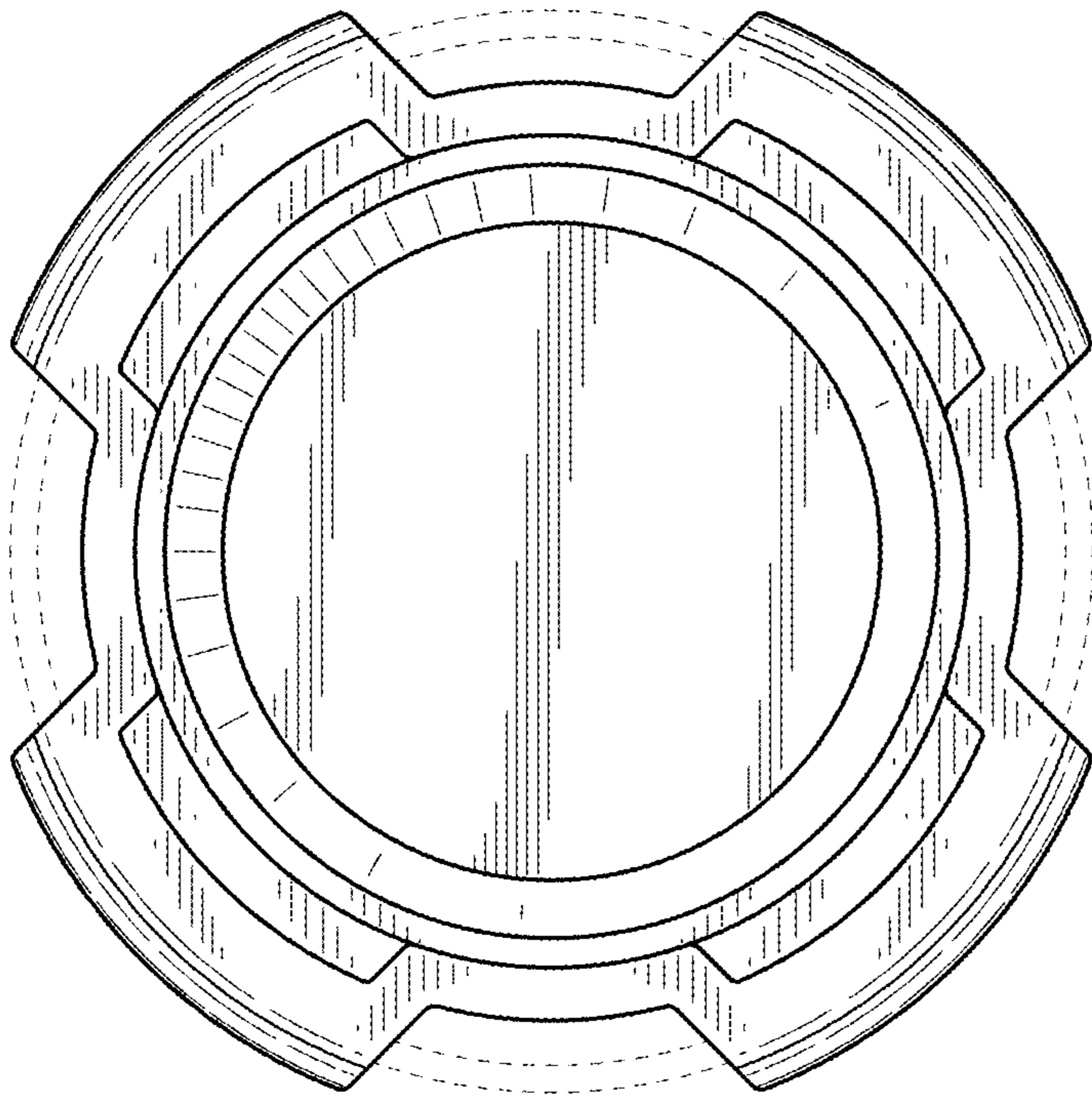


FIG. 2

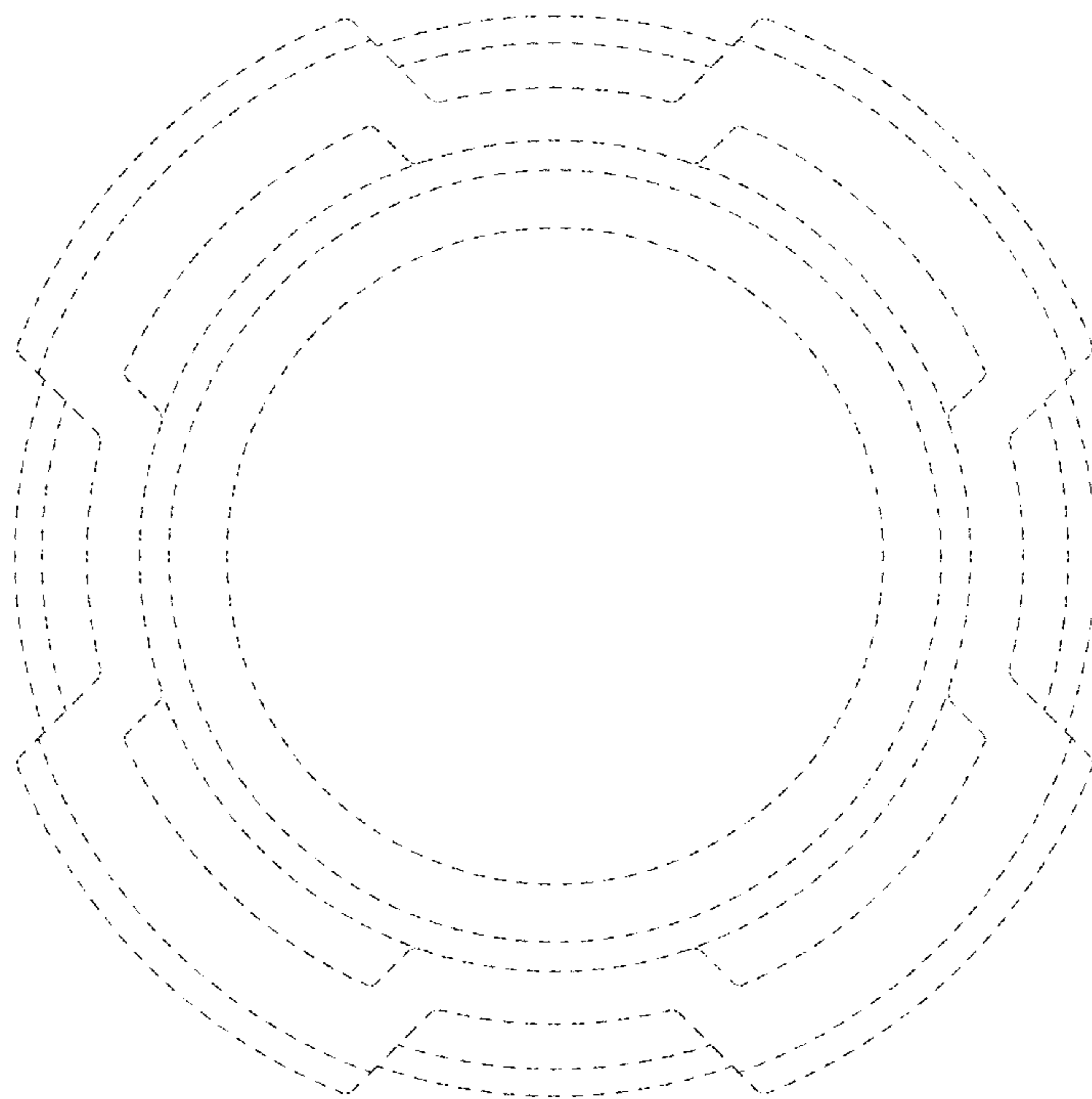


FIG. 3

