



US00D881294S

(12) **United States Design Patent** (10) **Patent No.:** **US D881,294 S**
Benoit (45) **Date of Patent:** **** Apr. 14, 2020**

(54) **GLUTE AND HAMSTRING EXERCISE DEVICE**

(71) Applicant: **All Natural Iron, LLC**, Davidson, NC (US)

(72) Inventor: **Jason Benoit**, Davidson, NC (US)

(73) Assignee: **ALL NATURAL IRON, LLC**, Davidson, NC (US)

(**) Term: **15 Years**

(21) Appl. No.: **29/643,815**

(22) Filed: **Apr. 12, 2018**

(51) **LOC (12) Cl.** **21-02**

(52) **U.S. Cl.**
USPC **D21/679**

(58) **Field of Classification Search**
USPC D21/694, 691, 679, 681; D6/681.1;
482/38, 40, 131, 140, 93, 97
CPC A63B 21/4035; A63B 21/4047; A63B
21/0628; A63B 23/0211; A63B 23/03525;
A63B 21/068; A63B 23/1218; A63B
23/1209; A63B 1/00
See application file for complete search history.

(56) **References Cited**

U.S. PATENT DOCUMENTS

- 3,567,218 A * 3/1971 Johnson A63B 23/0211
482/140
- 3,850,430 A * 11/1974 Hamilton A63B 21/0615
482/97
- 4,185,816 A * 1/1980 Bernstein A63B 21/1645
482/140
- D355,005 S * 1/1995 Voohanel, Jr. D21/691
- D623,707 S * 9/2010 Ritchie D21/679
- 8,936,540 B2 * 1/2015 Kueckelhan A63B 23/0211
482/131
- 9,427,611 B1 * 8/2016 Balentine A63B 1/00
- D805,139 S * 12/2017 Bailey D21/681

- D818,058 S * 5/2018 Barton D21/679
- D818,060 S * 5/2018 Barton D21/679
- D818,061 S * 5/2018 Barton D21/679
- D849,160 S * 5/2019 Lau D21/686
- D850,543 S * 6/2019 Lau D21/686
- 2002/0119872 A1 * 8/2002 Greenheck A63B 21/072
482/93
- 2017/0232293 A1 * 8/2017 Deen A63B 21/062
482/93

* cited by examiner

Primary Examiner — Ryan Harvey

(74) *Attorney, Agent, or Firm* — Trego, Hines & Ladenheim, PLLC; Brandon Trego; Jonathan Hines

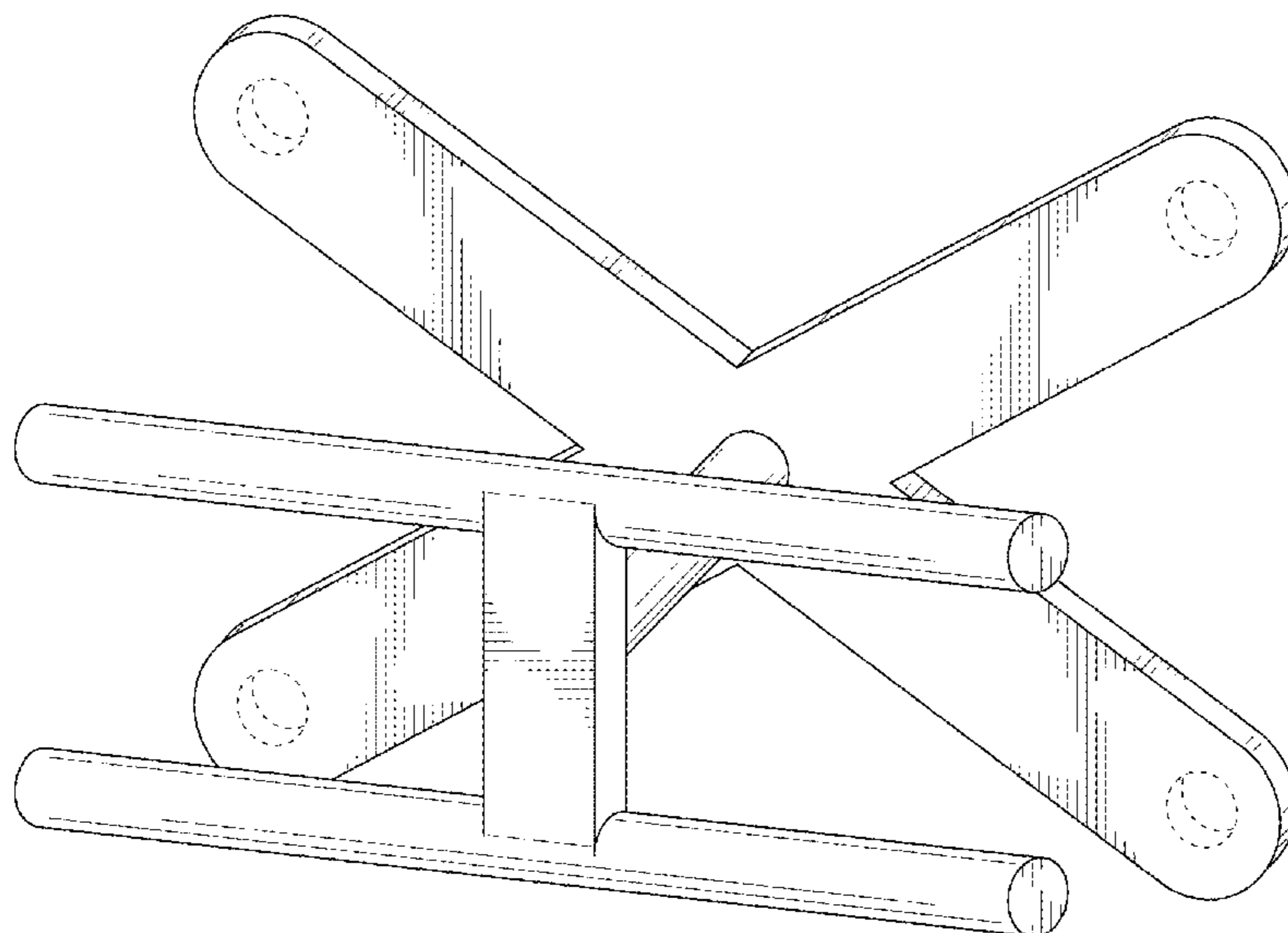
(57) **CLAIM**

I claim the ornamental design for a glute and hamstring exercise device, as shown and described.

DESCRIPTION

FIG. 1 is a perspective view of a glute and hamstring exercise device, showing my new design;
 FIG. 2 is a front elevational view of the glute and hamstring exercise device of FIG. 1;
 FIG. 3 is a rear elevational view of the glute and hamstring exercise device of FIG. 1;
 FIG. 4 is a right side elevational view of the glute and hamstring exercise device of FIG. 1;
 FIG. 5 is a left side elevational view of the glute and hamstring exercise device of FIG. 1;
 FIG. 6 is a top plan view of the glute and hamstring exercise device of FIG. 1; and,
 FIG. 7 is a bottom plan view of the glute and hamstring exercise device of FIG. 1.
 The broken lines shown in the figures are for environmental purposes only and form no part of the claimed design.

1 Claim, 4 Drawing Sheets



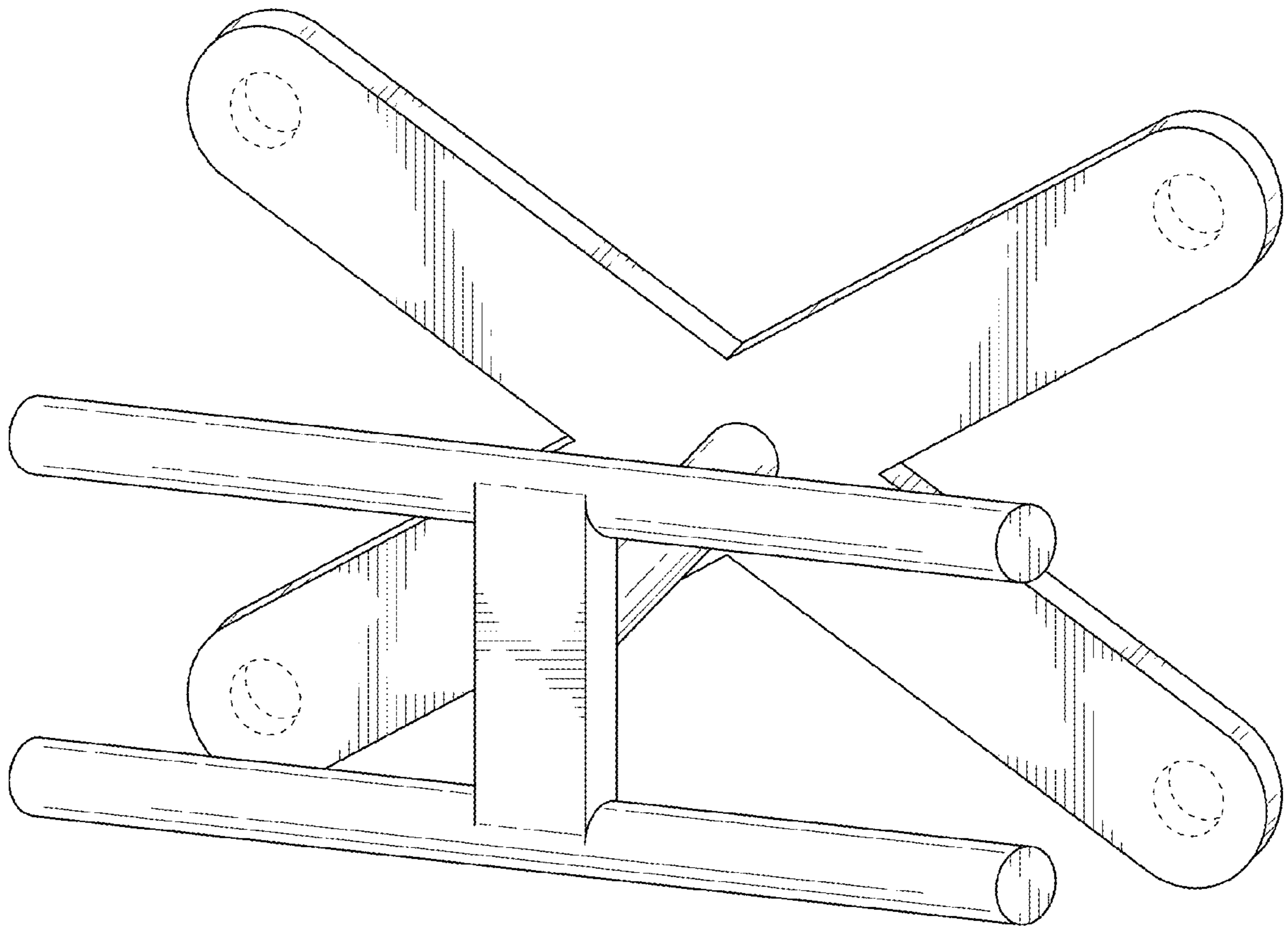


FIG. 1

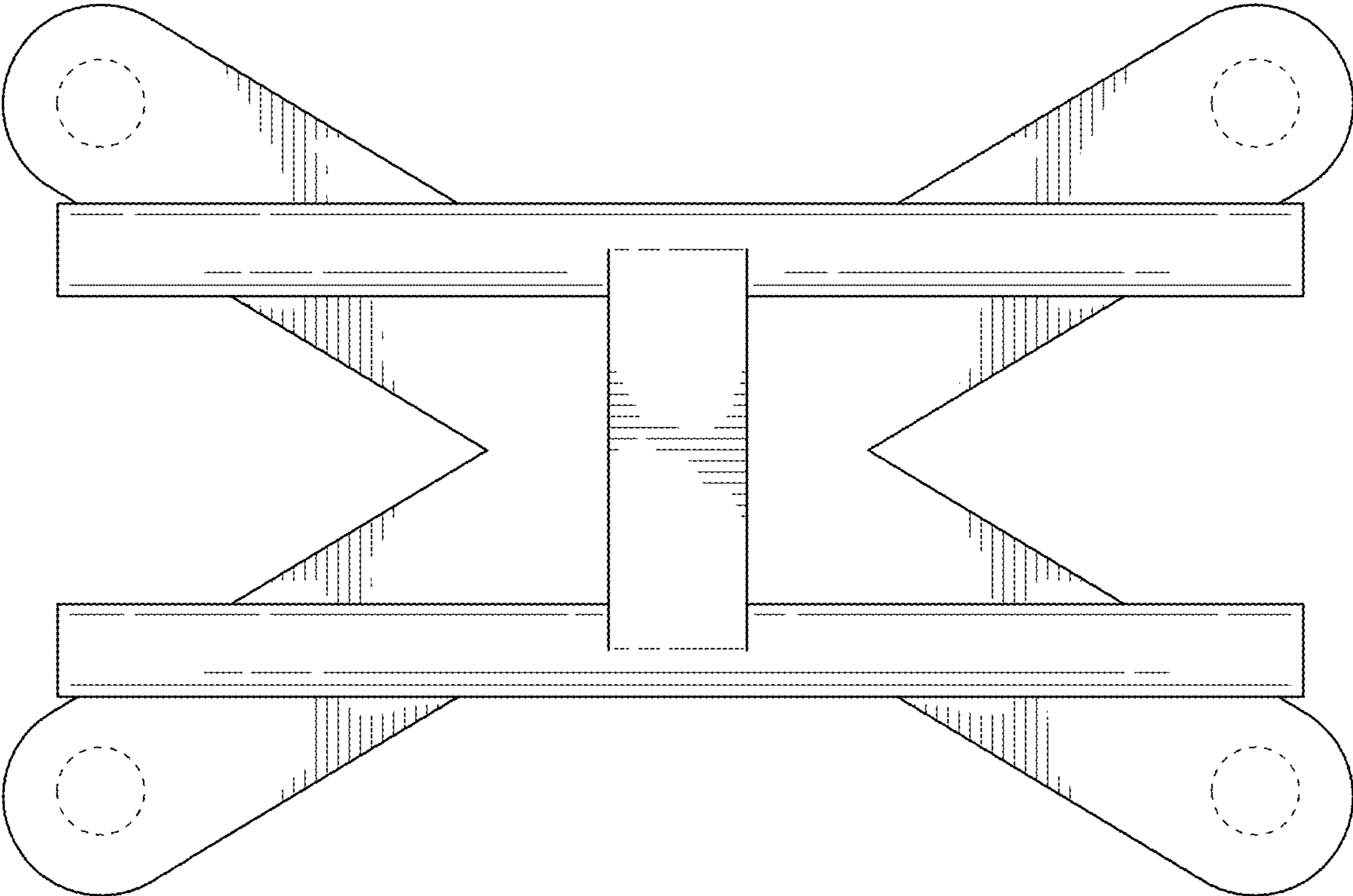


FIG. 2

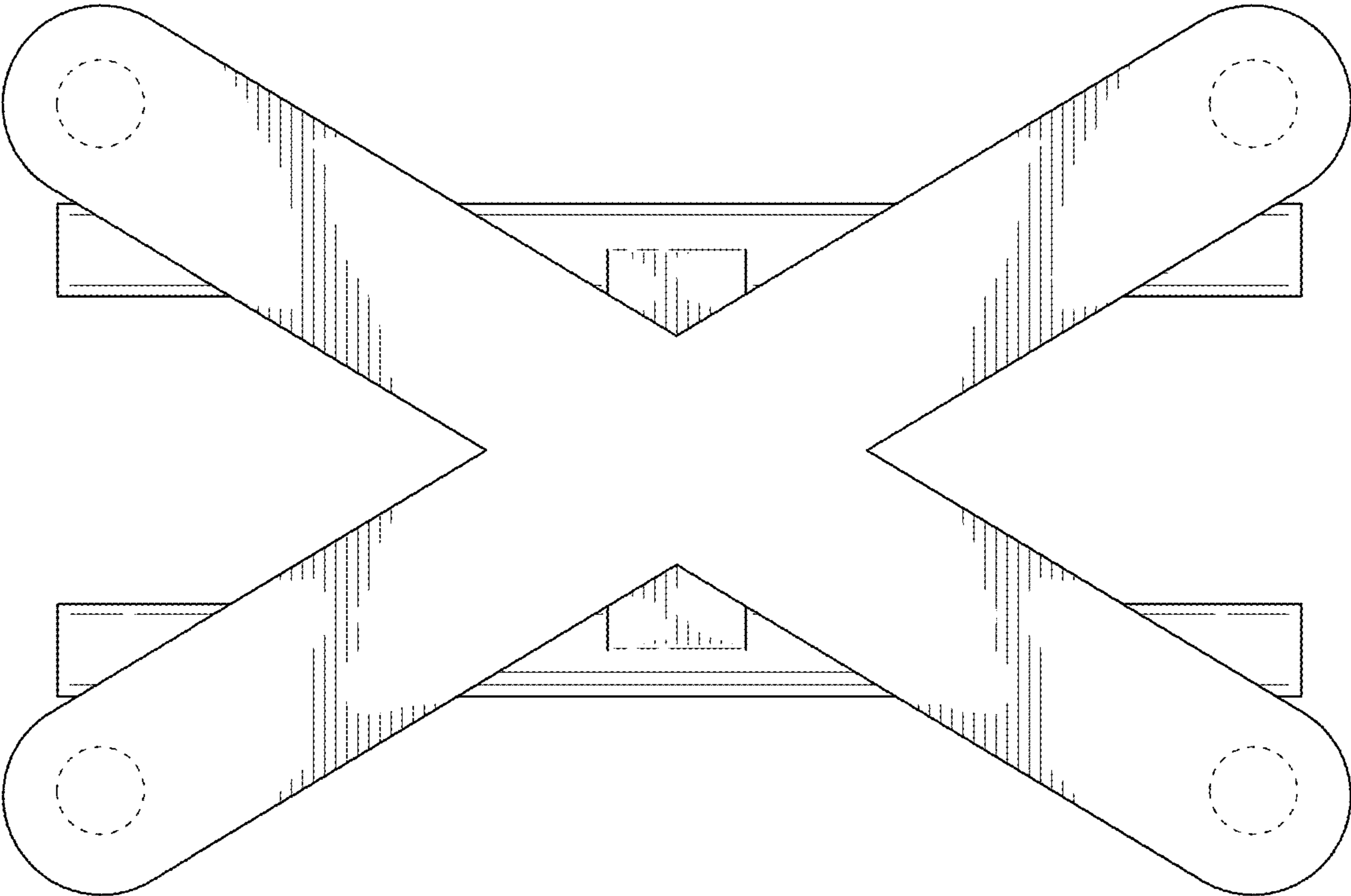


FIG. 3

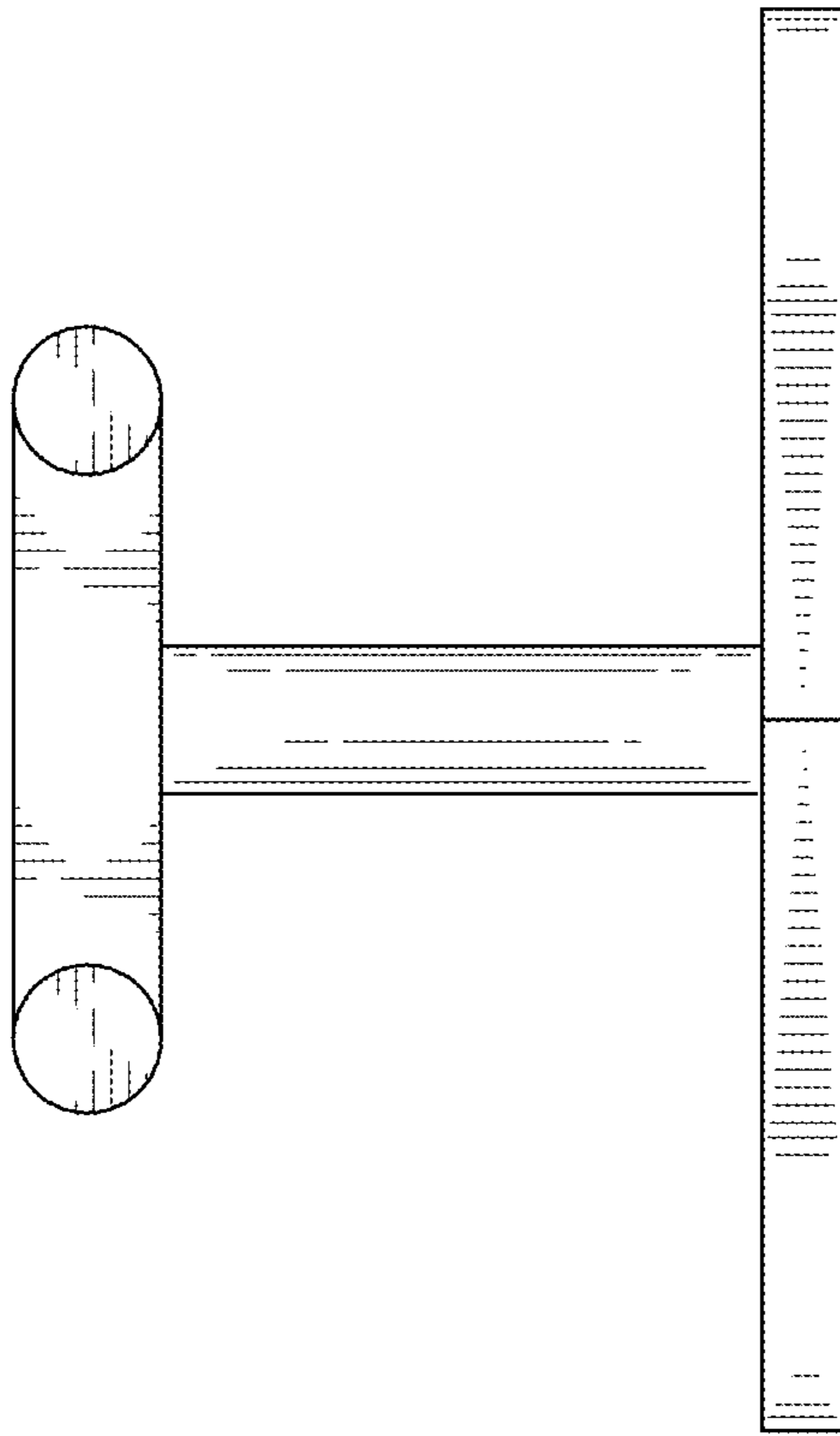


FIG. 4

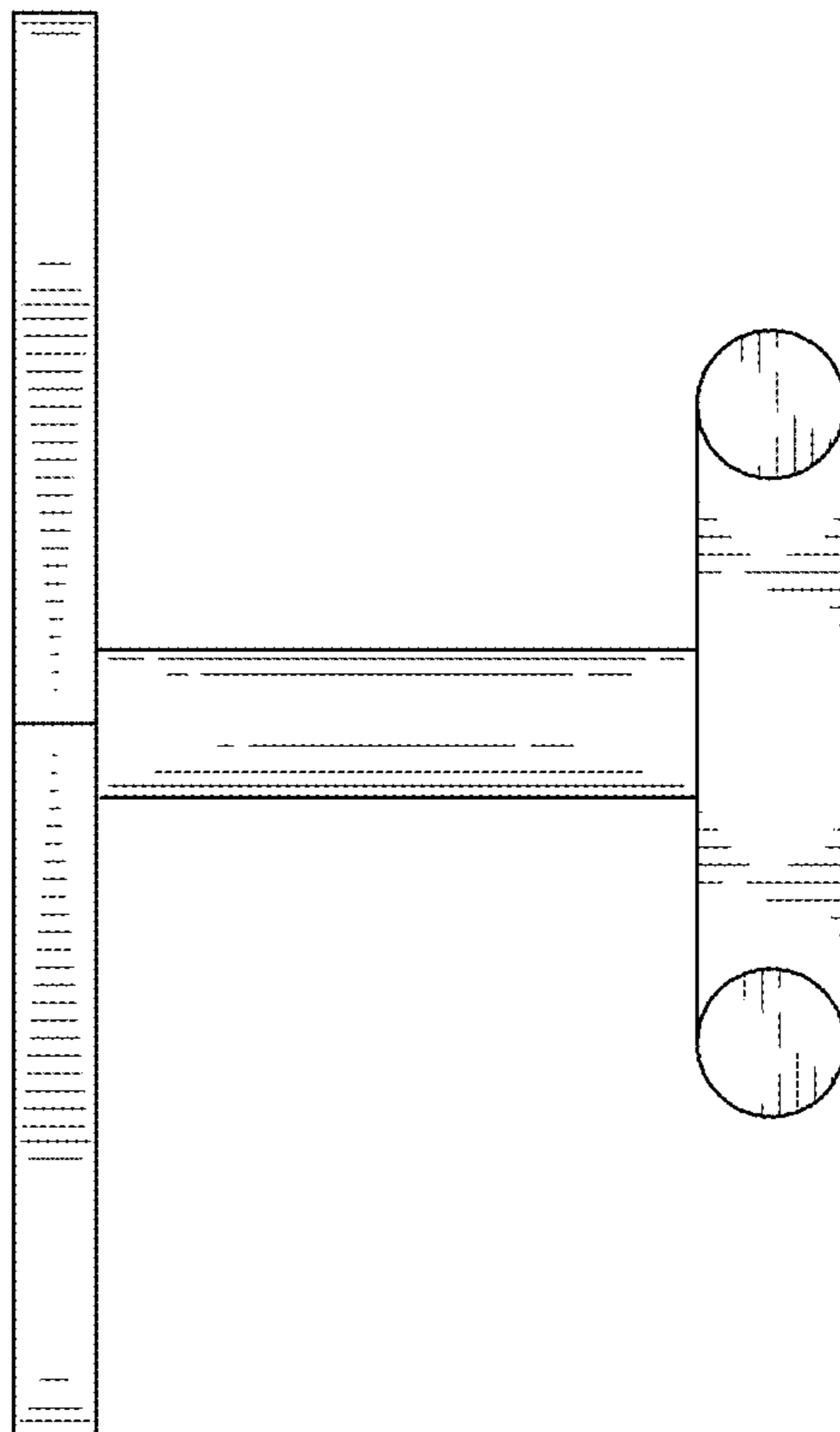


FIG. 5

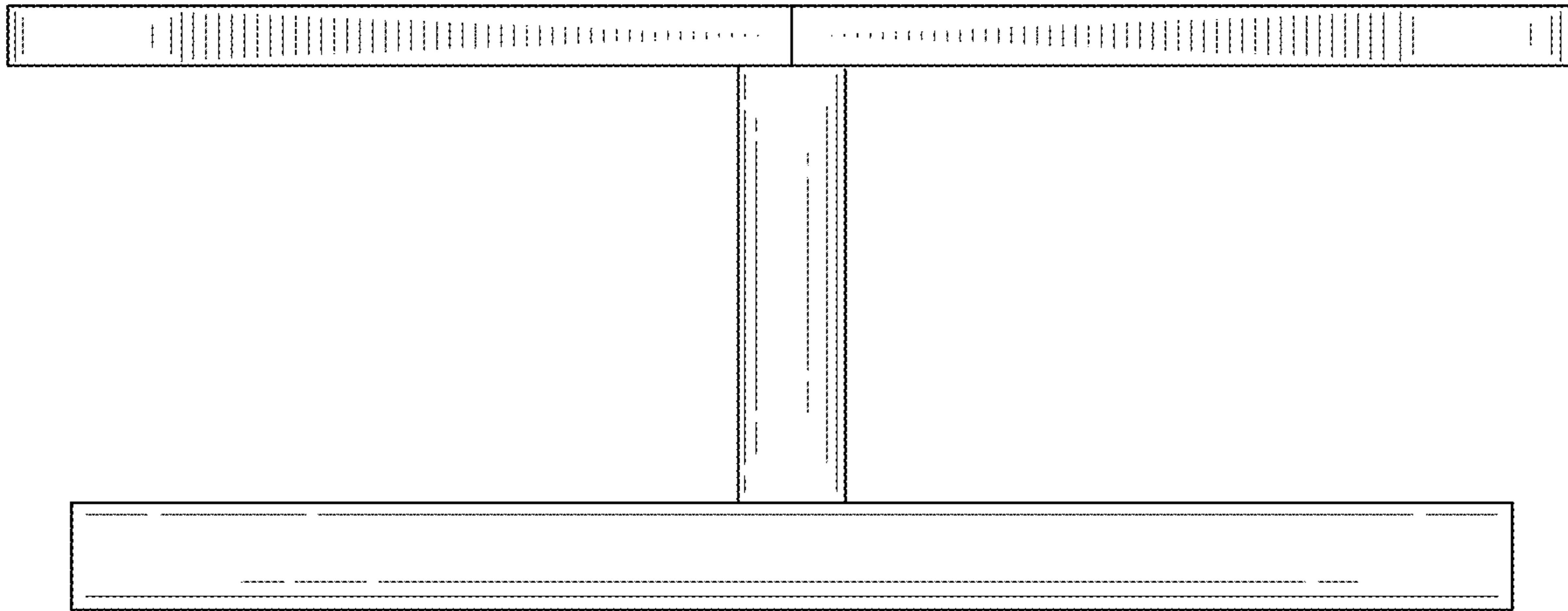


FIG. 6

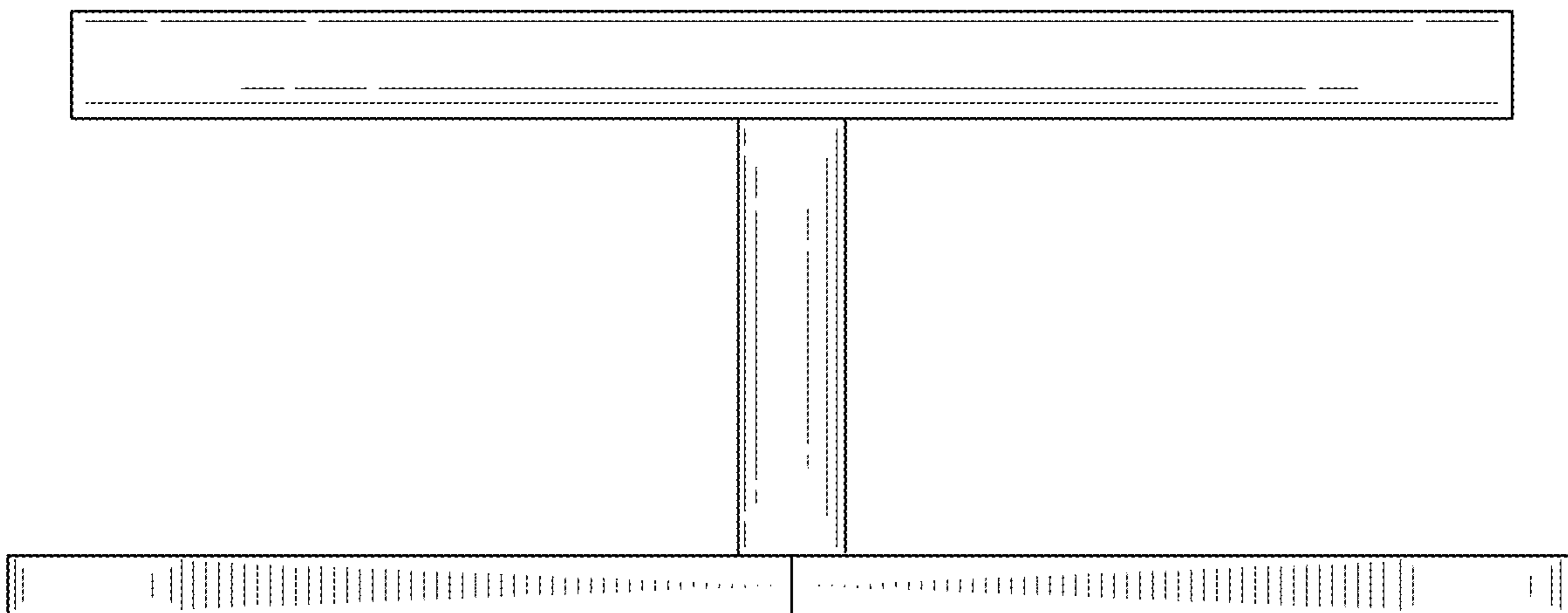


FIG. 7