



US00D881290S

(12) **United States Design Patent**
Katayama et al.

(10) **Patent No.:** **US D881,290 S**
(45) **Date of Patent:** **** Apr. 14, 2020**

(54) **ROBOT TOY**

(56) **References Cited**

(71) Applicant: **TOMY COMPANY, LTD.**, Tokyo (JP)

U.S. PATENT DOCUMENTS

(72) Inventors: **Shu Katayama**, Tokyo (JP); **Akiko Ikoma**, Tokyo (JP); **Mitsutoshi Tokuyama**, Tokyo (JP); **Shigeru Kanauchi**, Tokyo (JP); **Masashi Katahira**, Tokyo (JP)

D555,213	S	*	11/2007	Bowen	D21/578
D576,217	S	*	9/2008	Pasko	D21/650
D645,526	S	*	9/2011	Norman	D21/585
D645,914	S	*	9/2011	Norman	D21/585
D669,140	S	*	10/2012	Mimlitch, III	D21/578
D669,942	S	*	10/2012	Mimlitch, III	D21/578
D689,961	S	*	9/2013	Mimlitch, III	D21/578
D689,962	S	*	9/2013	Mimlitch, III	D21/578
D689,964	S	*	9/2013	Mimlitch, III	D21/650
D710,192	S	*	8/2014	Halbur	D21/650

(73) Assignee: **TOMY COMPANY, LTD.**, Tokyo (JP)

(**) Term: **15 Years**

* cited by examiner

(21) Appl. No.: **29/675,430**

Primary Examiner — Sandra L Morris

(22) Filed: **Jan. 2, 2019**

(74) *Attorney, Agent, or Firm* — Oliff PLC

(30) **Foreign Application Priority Data**

(57) **CLAIM**

Jul. 2, 2018 (JP) 2018-014602

The ornamental design for a robot toy, as shown and described.

(51) **LOC (12) Cl.** **21-01**

DESCRIPTION

(52) **U.S. Cl.**

USPC **D21/578**; D21/650

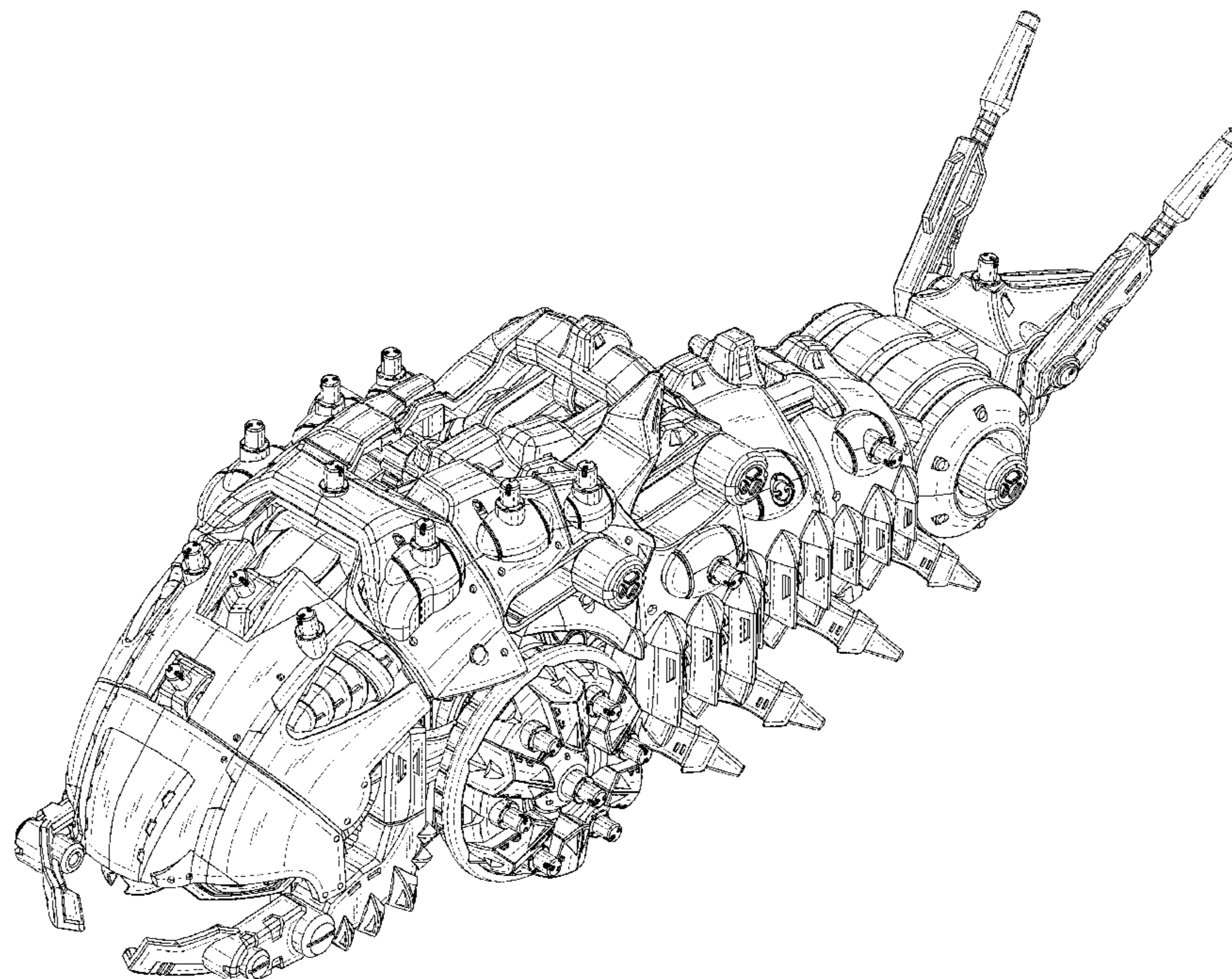
(58) **Field of Classification Search**

USPC D6/598; D11/158, 162; D21/576–596, D21/604–605, 611–613, 615, 617–618, D21/621, 650; 446/99, 268, 368–369, 446/376, 428, 487; 180/8.6; D30/160
CPC ... A63H 3/00; A63H 3/02; A63H 3/04; A63H 3/16; A63H 3/28; A63H 3/36; A63H 7/06; A63H 11/00; A63H 11/10; A63H 11/20; A63H 11/205; A63H 13/00; A63H 33/04; A63H 33/08; A63H 33/042; A63H 23/10

FIG. 1 is a right-side elevational view of the robot toy; FIG. 2 is a left-side elevational view thereof; FIG. 3 is a front elevational view thereof; FIG. 4 is a rear elevational view thereof; FIG. 5 is a top plan view thereof; FIG. 6 is a bottom plan view thereof; FIG. 7 is a front, right-side, top perspective view thereof; FIG. 8 is a rear, left-side, bottom perspective view thereof; FIG. 9 is a front, right-side, top perspective view of an alternative configuration thereof; and, FIG. 10 is a rear, left-side, bottom perspective view of the alternative configuration thereof.

See application file for complete search history.

1 Claim, 10 Drawing Sheets



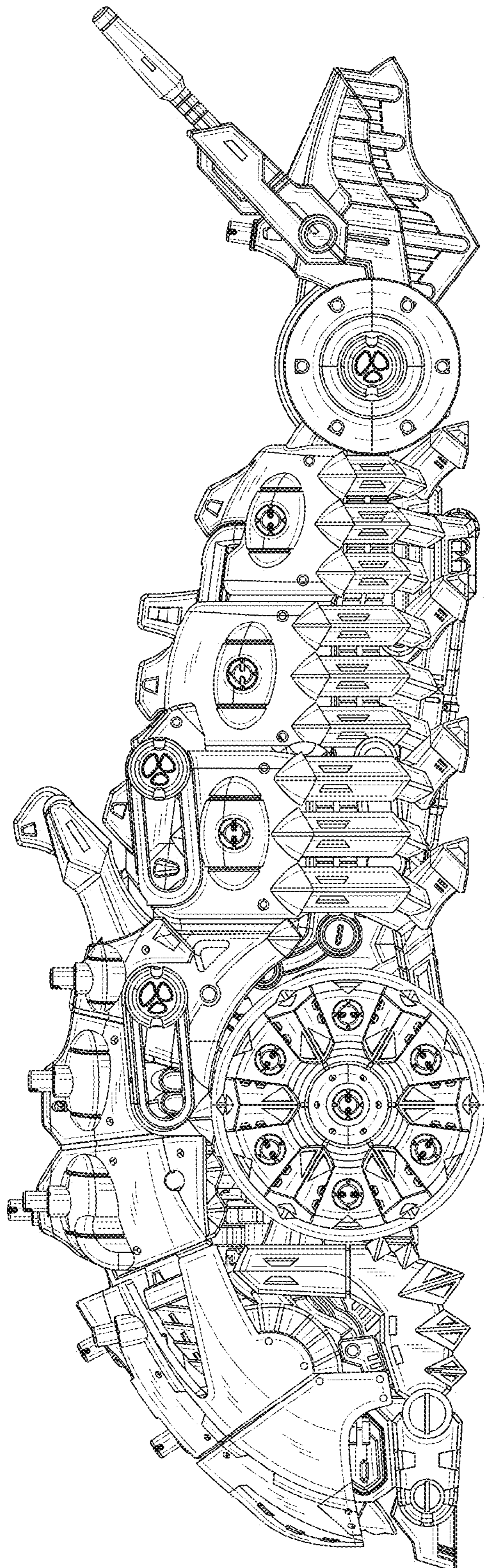


FIG. 1

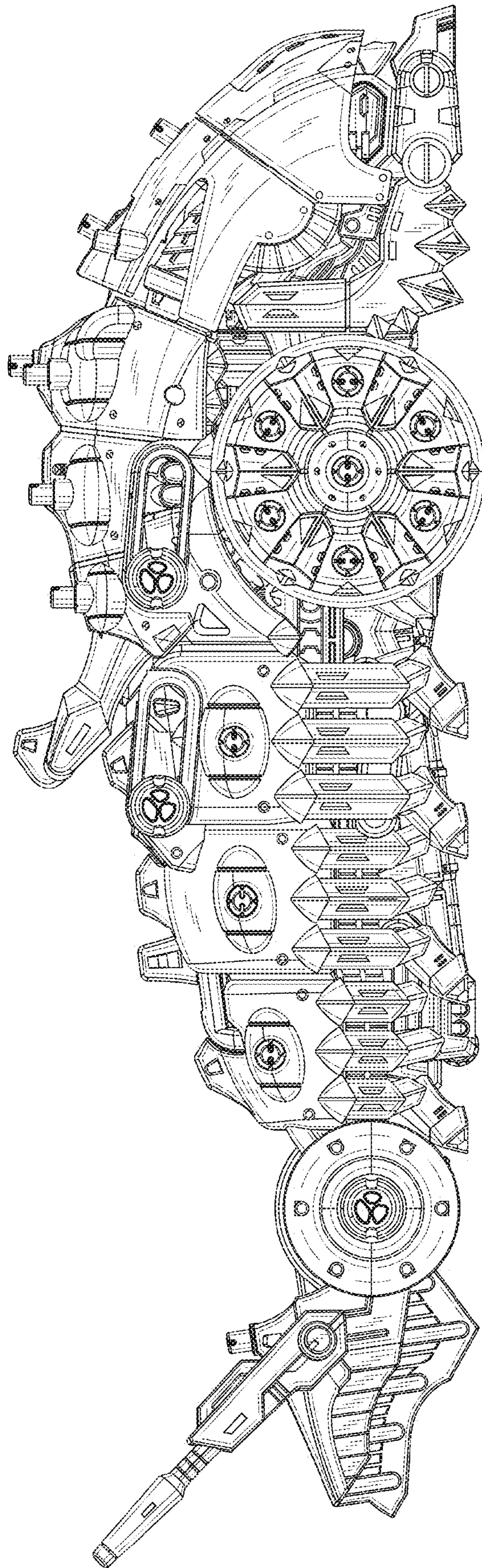


FIG. 2

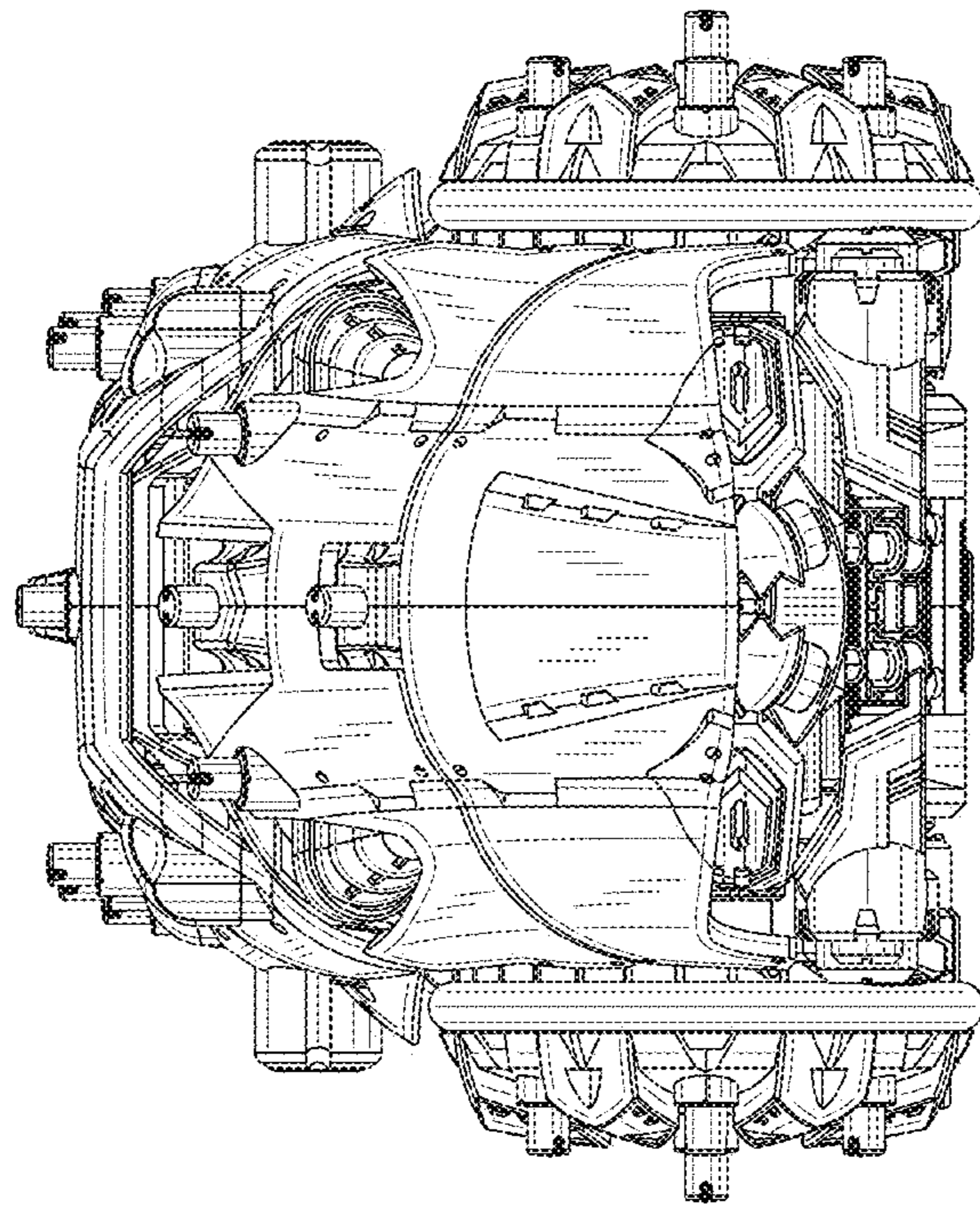


FIG. 3

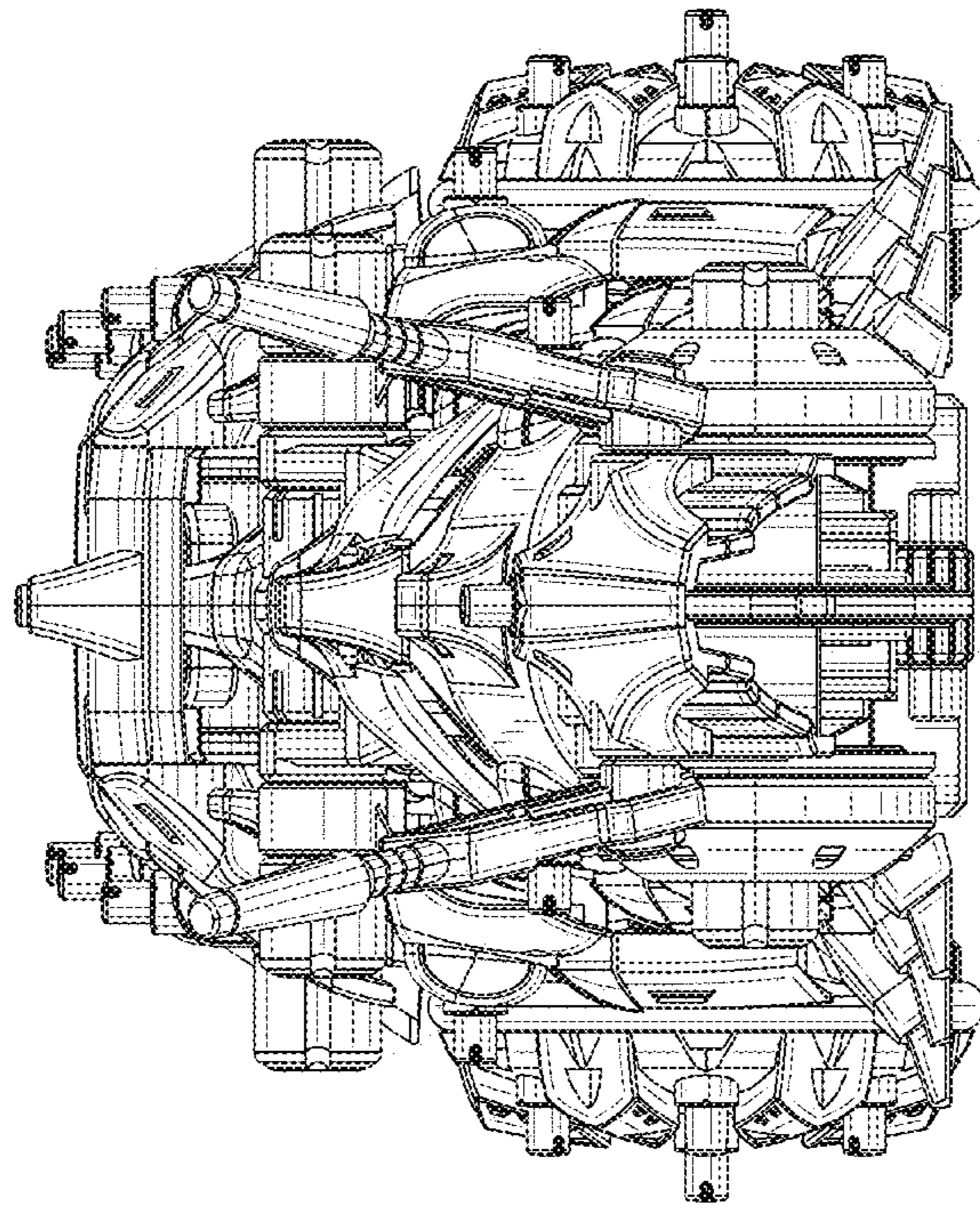


FIG. 4

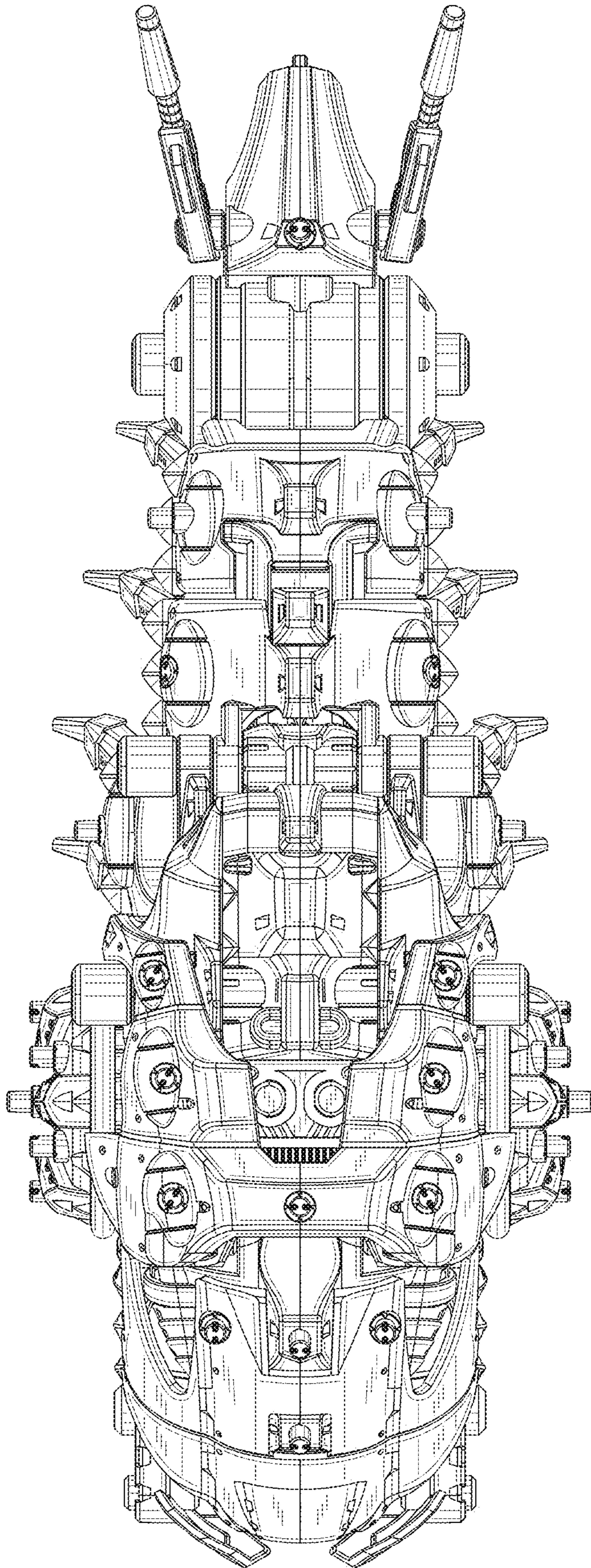


FIG. 5

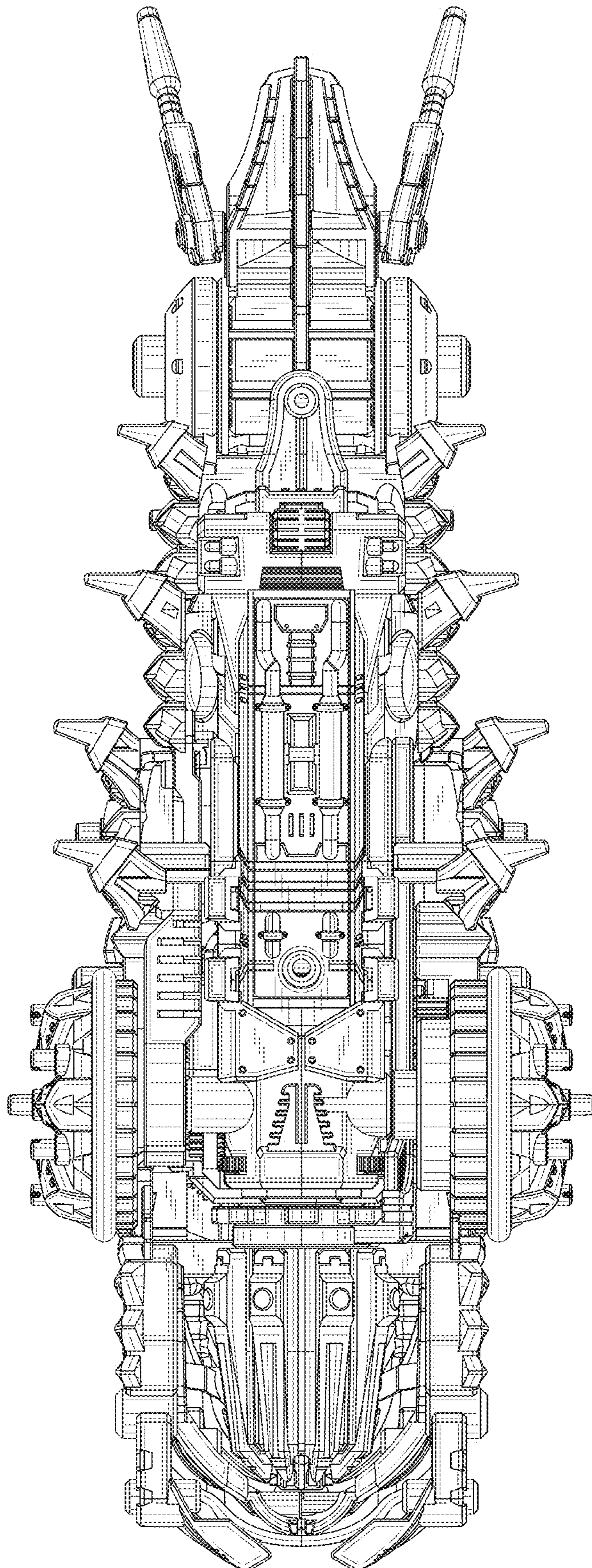


FIG. 6

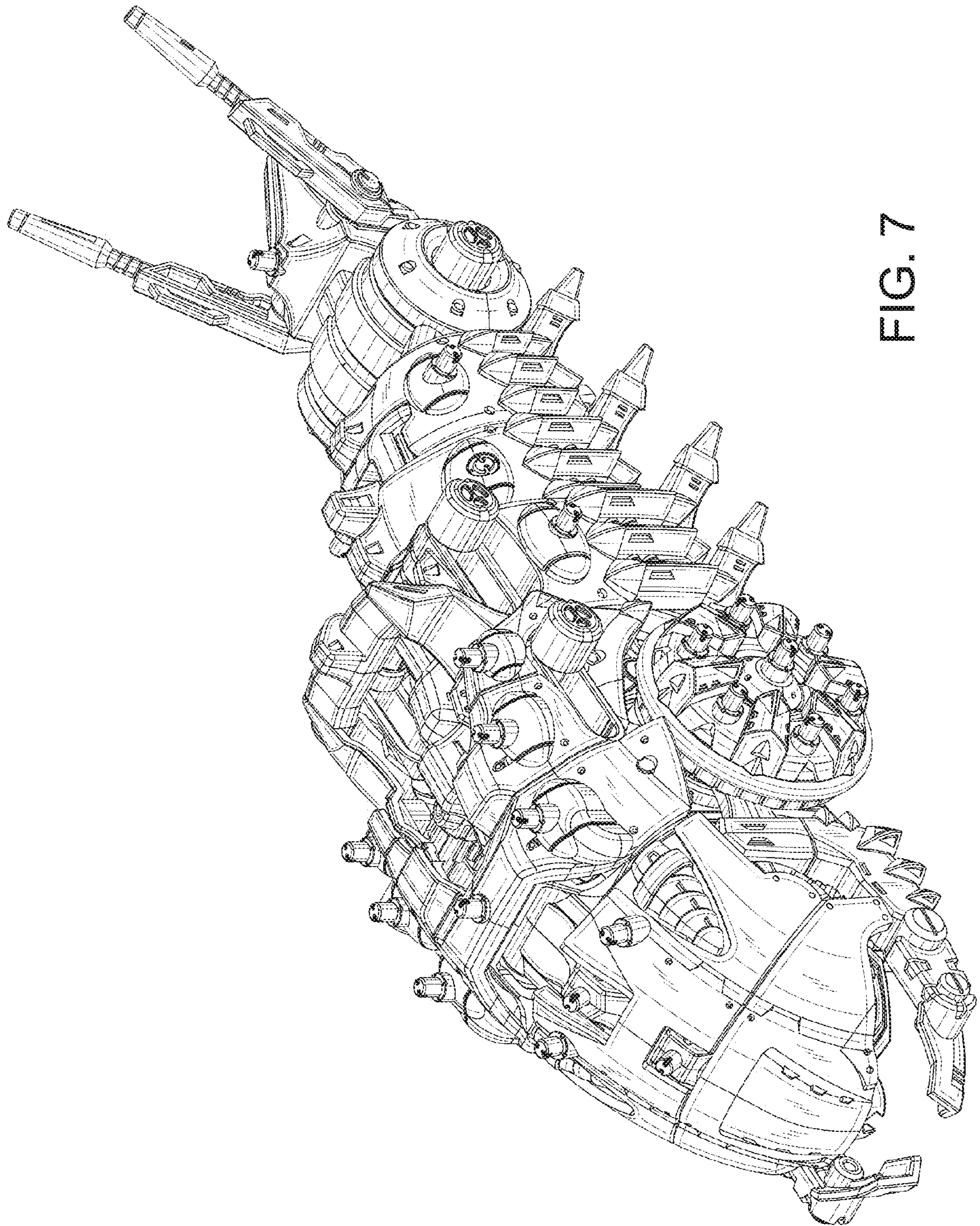


FIG. 7

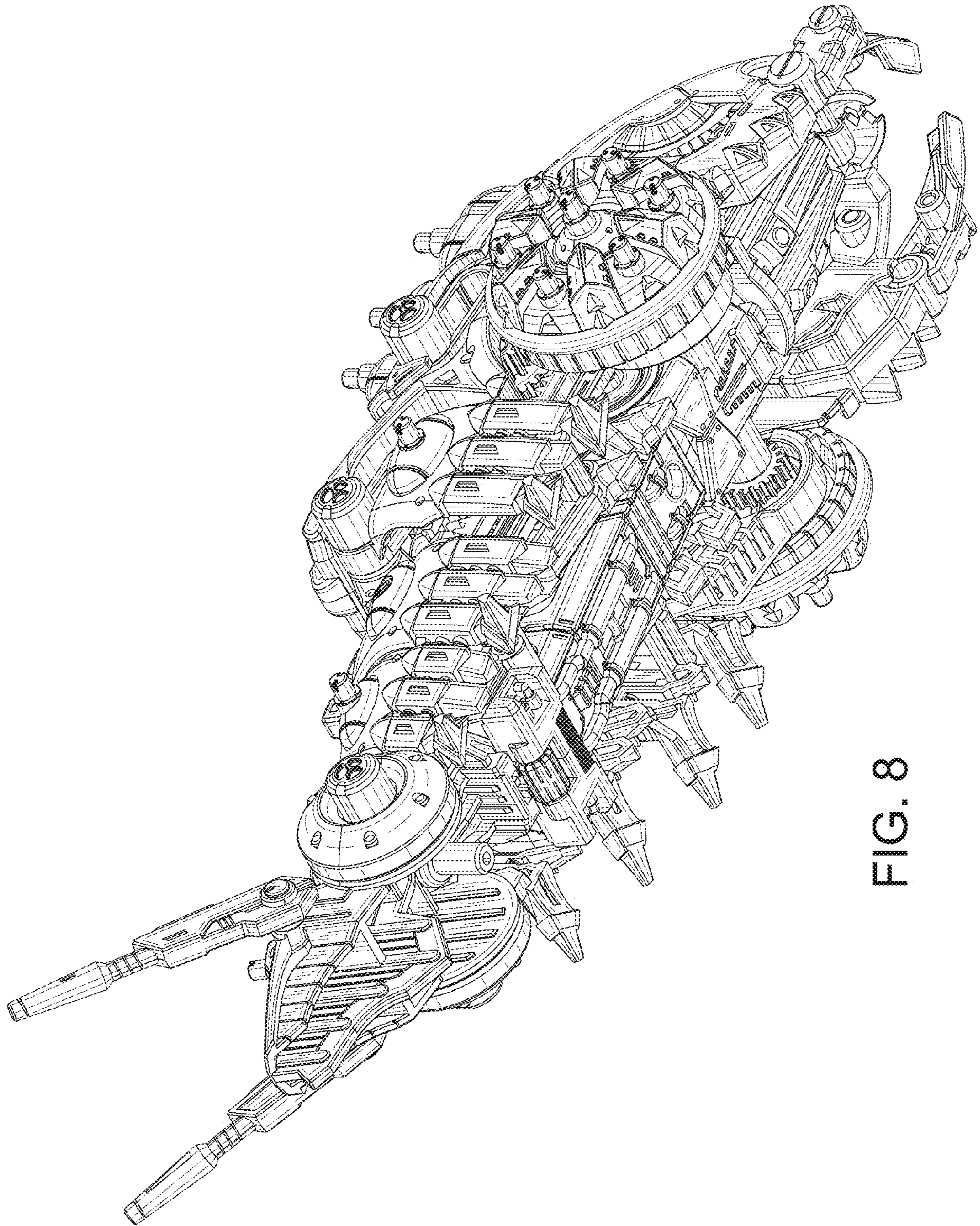


FIG. 8

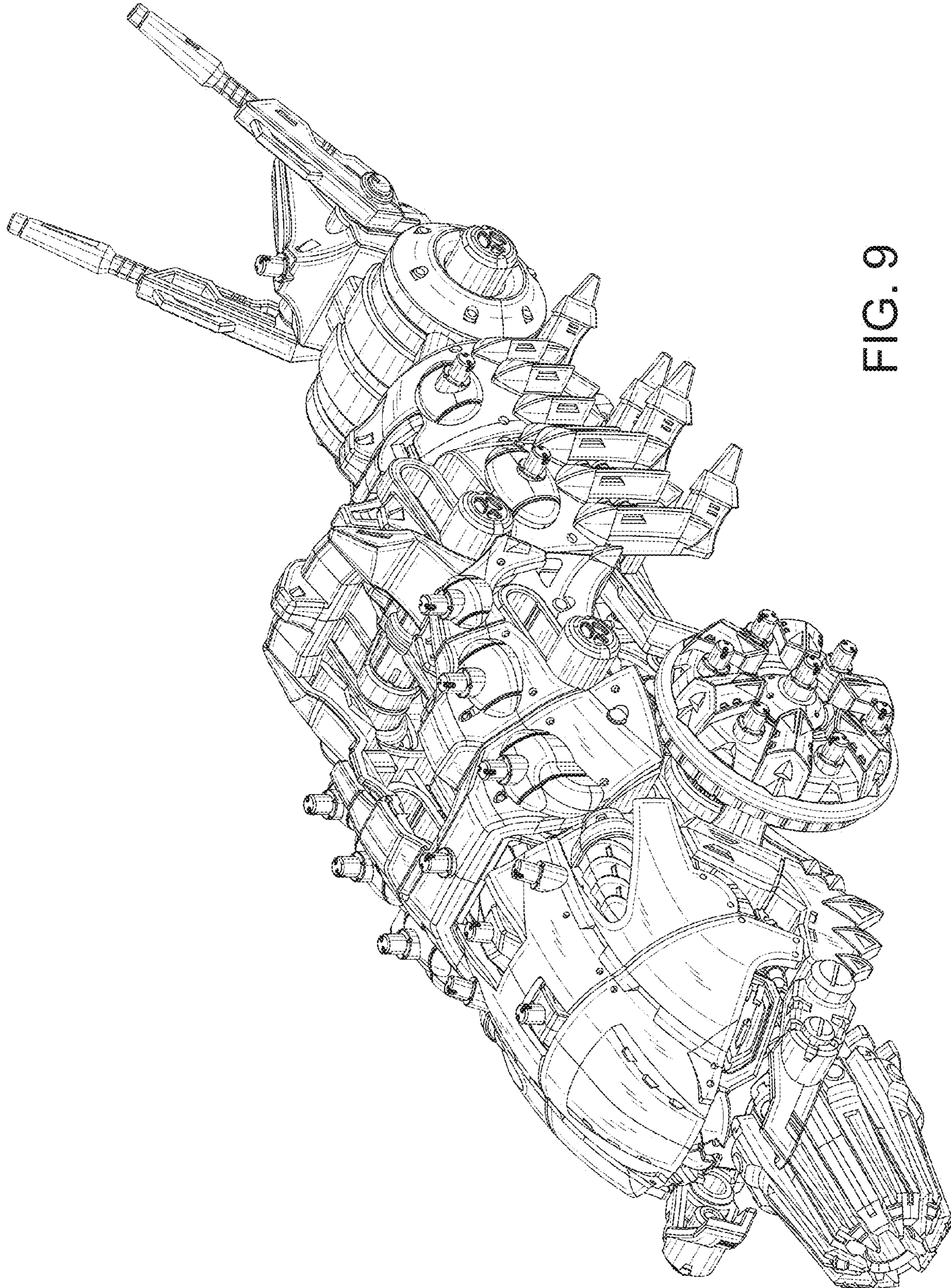


FIG. 9

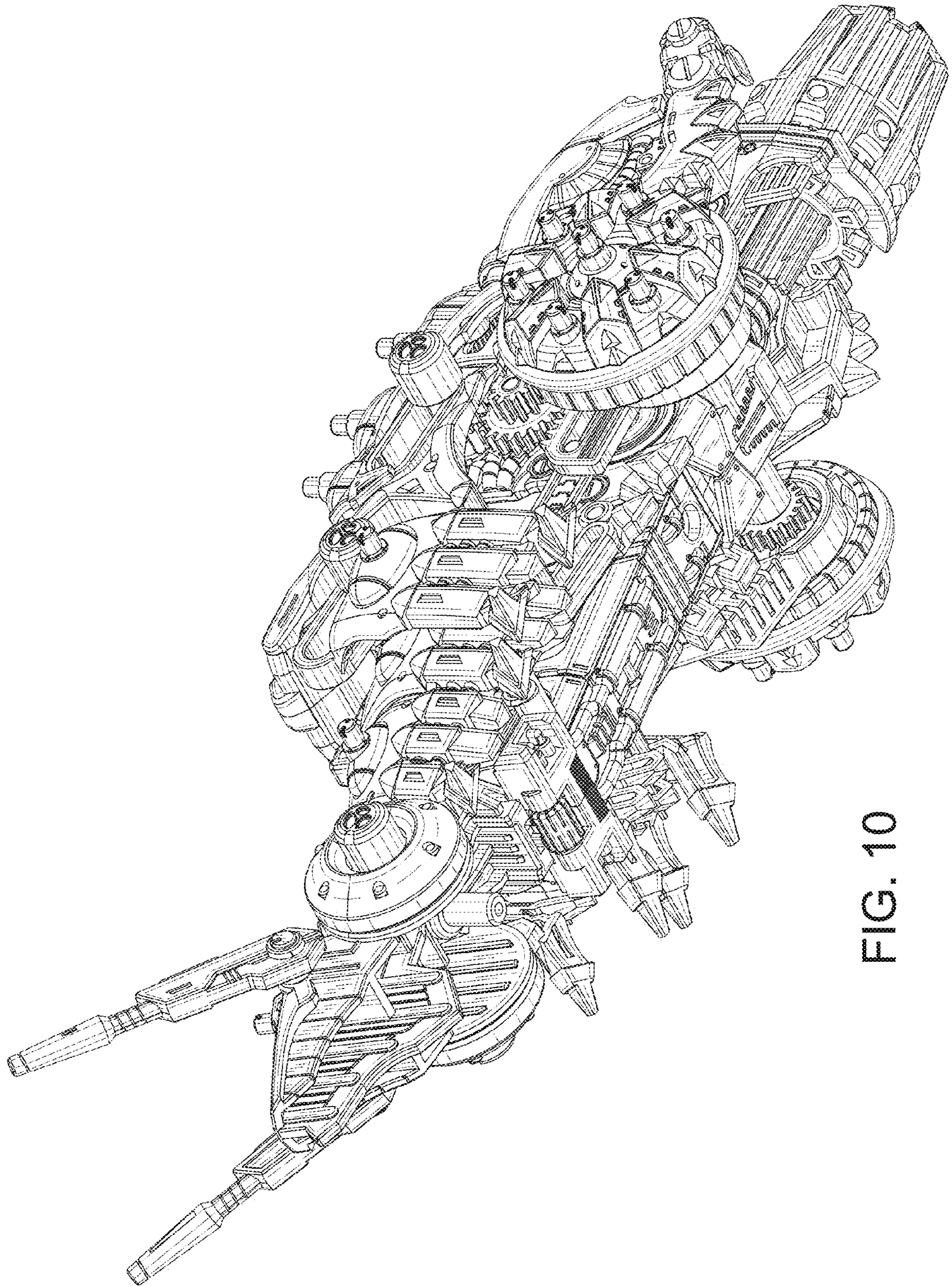


FIG. 10