



US00D881286S

(12) **United States Design Patent**
Xiao

(10) **Patent No.:** **US D881,286 S**
(45) **Date of Patent:** **** Apr. 14, 2020**

- (54) **AIRCRAFT TOY**
- (71) Applicant: **Guangdong Syma Model Aircraft Industrial Co., Ltd., Shantou (CN)**
- (72) Inventor: **Jiongliang Xiao, Shantou (CN)**
- (73) Assignee: **Guangdong Syma Model Aircraft Industrial Co., Ltd., Shantou (CN)**
- (**) Term: **15 Years**
- (21) Appl. No.: **29/678,926**
- (22) Filed: **Jan. 31, 2019**
- (30) **Foreign Application Priority Data**

- D751,025 S * 3/2016 Howell D12/16.1
- D761,690 S * 7/2016 Friesmuth D12/16.1
- D776,569 S * 1/2017 Baruchin D12/16.1
- D776,570 S * 1/2017 Baruchin D12/16.1
- D779,595 S * 2/2017 Xiao D12/16.1
- D801,856 S * 11/2017 Zhou D12/16.1
- D803,724 S * 11/2017 Zhou D12/16.1
- D814,350 S * 4/2018 Joo D12/16.1
- D816,583 S * 5/2018 Dutertre D12/328
- D817,812 S * 5/2018 Whitten, Jr. D12/16.1
- 9,963,228 B2 * 5/2018 McCullough B64C 11/28
- D822,579 S * 7/2018 Lienhard D12/328
- D843,304 S * 3/2019 MacAndrew D12/319
- D843,305 S * 3/2019 MacAndrew D12/319
- D843,919 S * 3/2019 Tzarnotzky D12/329
- D850,357 S * 6/2019 Cummings D12/326
- 10,317,914 B2 * 6/2019 Douglas B64C 29/0008
- 10,414,483 B2 * 9/2019 Ivans B64C 1/30
- 10,421,541 B2 * 9/2019 Groninga B64C 3/385
- D862,361 S * 10/2019 Corning D12/330

(Continued)

Jan. 7, 2019 (CN) 2019 3 0006490

- (51) **LOC (12) Cl.** **21-02**
- (52) **U.S. Cl.**
USPC **D21/436**
- (58) **Field of Classification Search**
USPC D12/1, 2, 3, 4, 16.1, 319-345;
D21/437-455
CPC B64C 29/0033; B64C 2201/021; B64C
29/02; B64C 2201/088; B64C 2201/104;
B64C 2201/141
See application file for complete search history.

Primary Examiner — Marissa J Cash
(74) *Attorney, Agent, or Firm* — Wang Law Firm, Inc.

(57) **CLAIM**

The ornamental design for an aircraft toy, as shown and described.

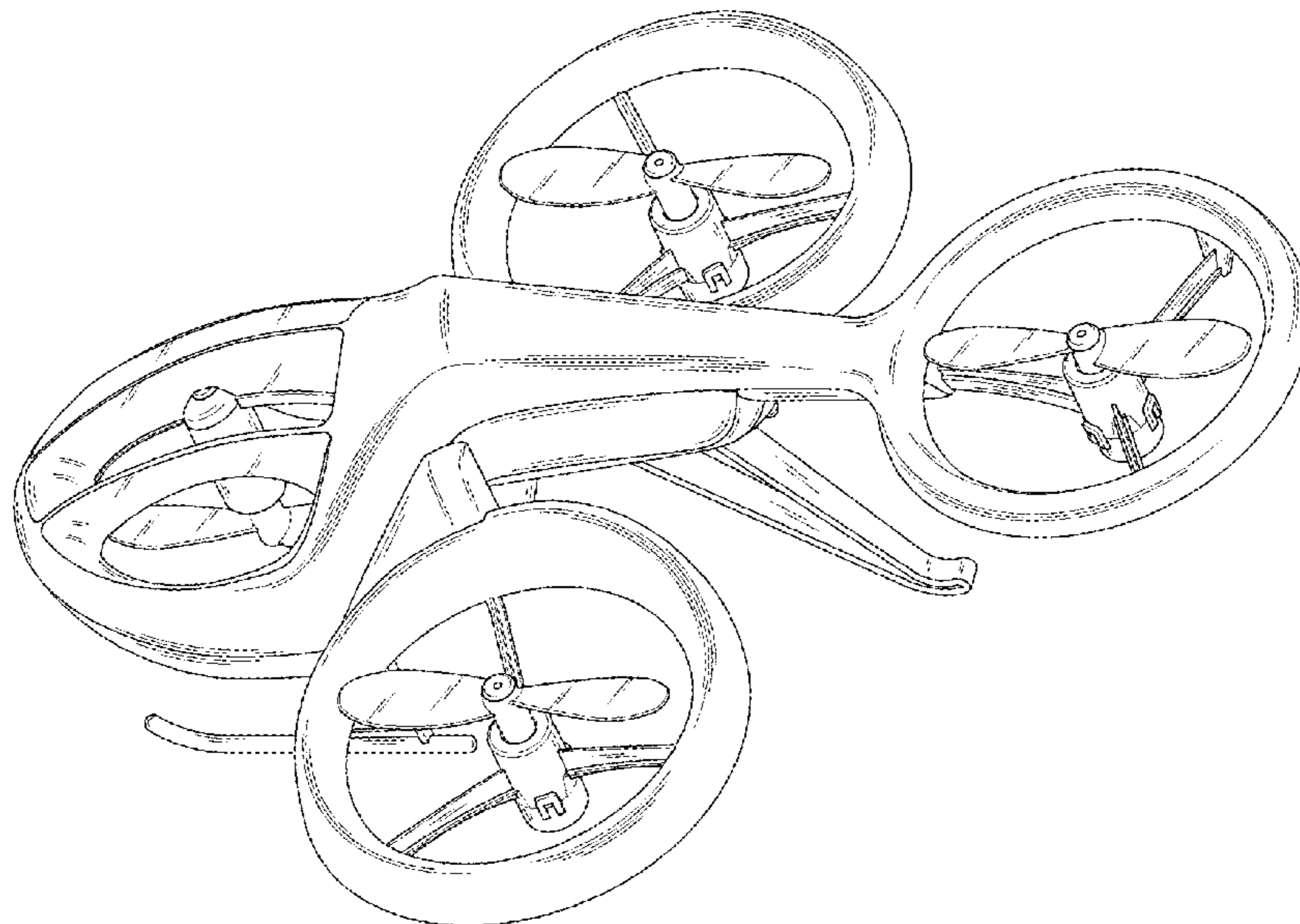
DESCRIPTION

FIG. 1 is a perspective view of the aircraft toy showing my new design;
FIG. 2 is a front elevation view thereof;
FIG. 3 is a rear elevation view thereof;
FIG. 4 is a left side elevation view thereof;
FIG. 5 is a right side elevation view thereof;
FIG. 6 is a top plan view thereof; and,
FIG. 7 is a bottom plan view thereof.
In the drawings, the broken lines in FIGS. 4, 5, & 7 depict portions of the aircraft toy and form no part of the claimed design.

(56) **References Cited**
U.S. PATENT DOCUMENTS

- D189,562 S * 1/1961 Nelson D12/330
- D193,369 S * 8/1962 Walker D12/330
- D454,109 S * 3/2002 Moshier D12/319
- D634,257 S * 3/2011 Alexander D12/326
- D678,169 S * 3/2013 Kennelly D12/319
- D684,642 S * 6/2013 Li D12/328
- D695,205 S * 12/2013 Guzman D12/326
- D696,618 S * 12/2013 Wang D12/326
- D741,247 S * 10/2015 Brody D12/326

1 Claim, 7 Drawing Sheets



(56)

References Cited

U.S. PATENT DOCUMENTS

D866,394 S * 11/2019 Shih D12/16.1
D868,668 S * 12/2019 Parvizian D12/328
D872,004 S * 1/2020 Nunes D12/328
D872,681 S * 1/2020 Tzarnotzky D12/329
D873,200 S * 1/2020 Langford, III D12/319
D873,201 S * 1/2020 Langford, III D12/319
D873,202 S * 1/2020 Tzarnotzky D12/329
2012/0012692 A1* 1/2012 Kroo B64C 3/56
244/6
2012/0234968 A1* 9/2012 Smith B64C 29/0033
244/12.3
2017/0174336 A1* 6/2017 Baba B64C 1/30
2017/0369162 A1* 12/2017 Alzahrani B64C 29/0033
2018/0057157 A1* 3/2018 Groninga B64C 27/82

* cited by examiner

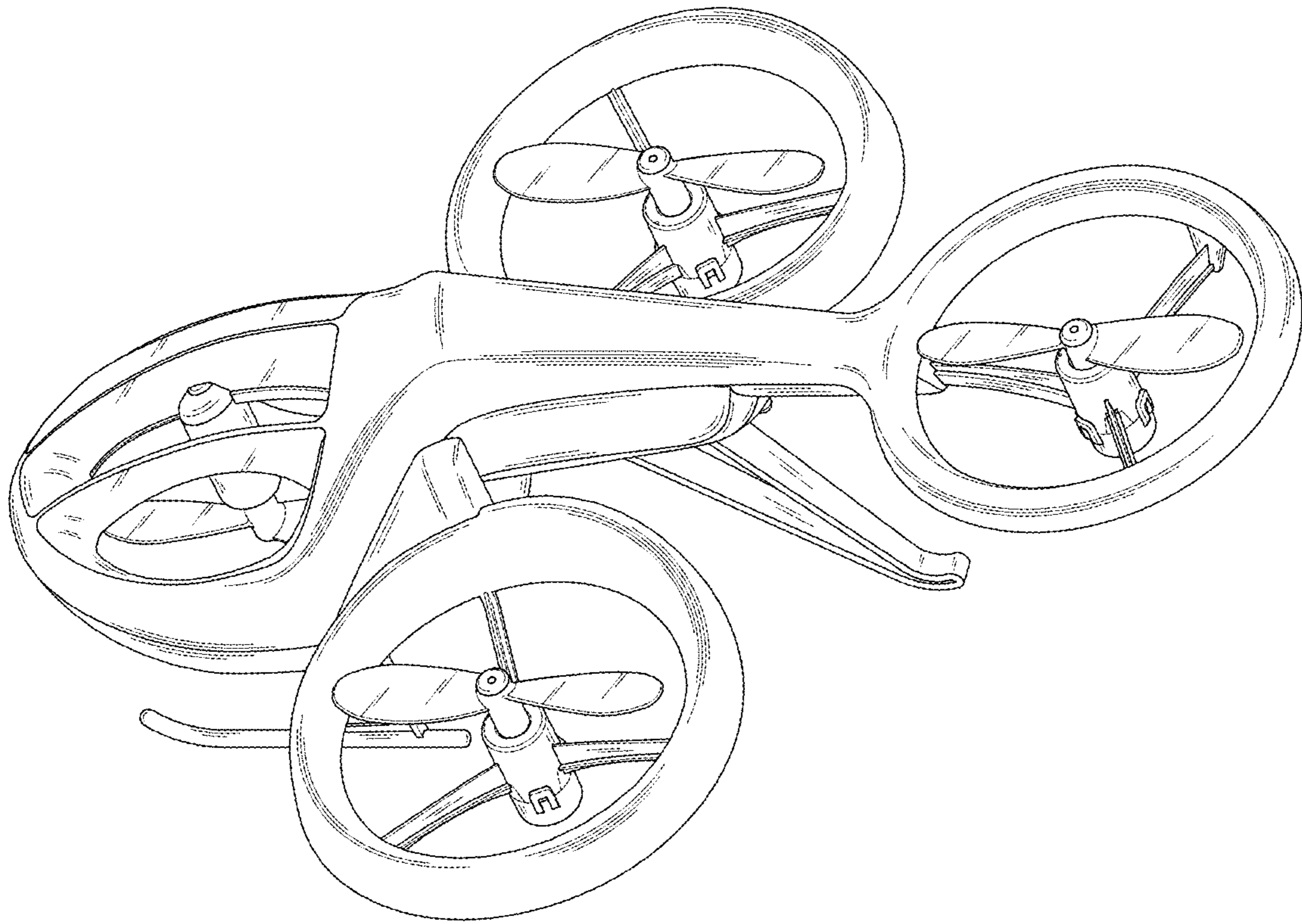


FIG.1

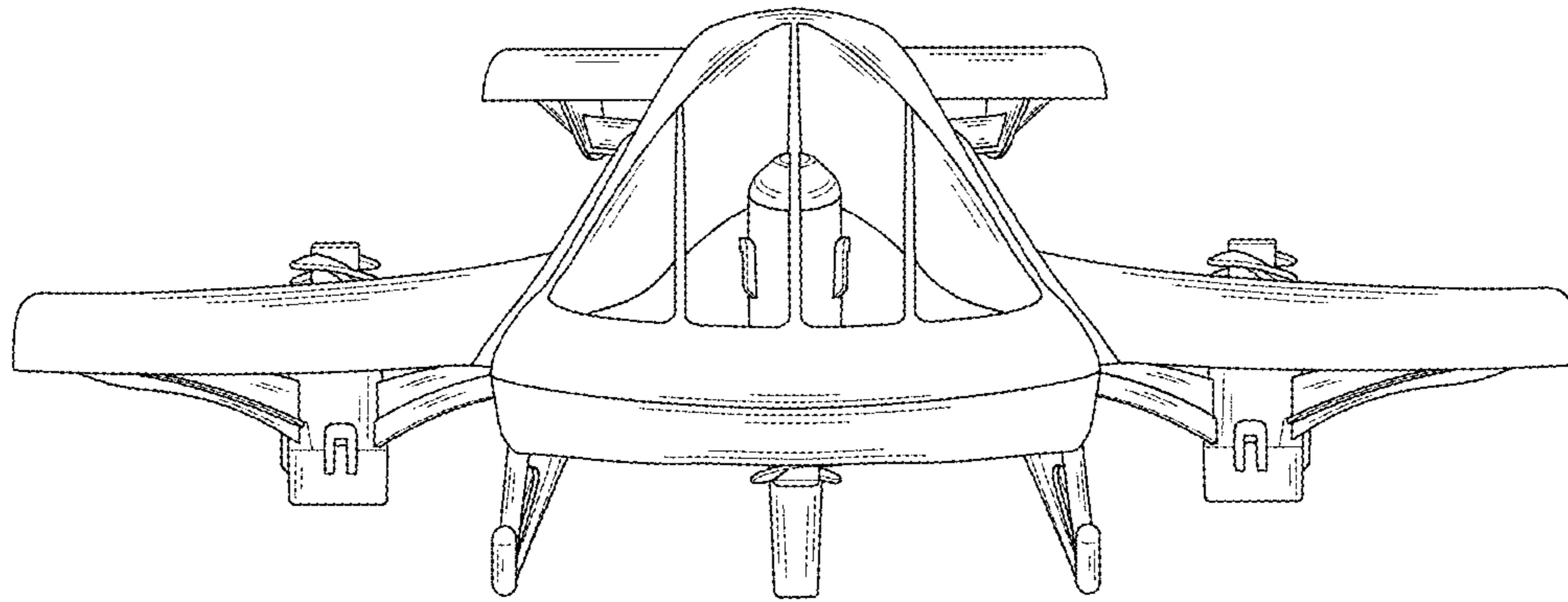


FIG.2

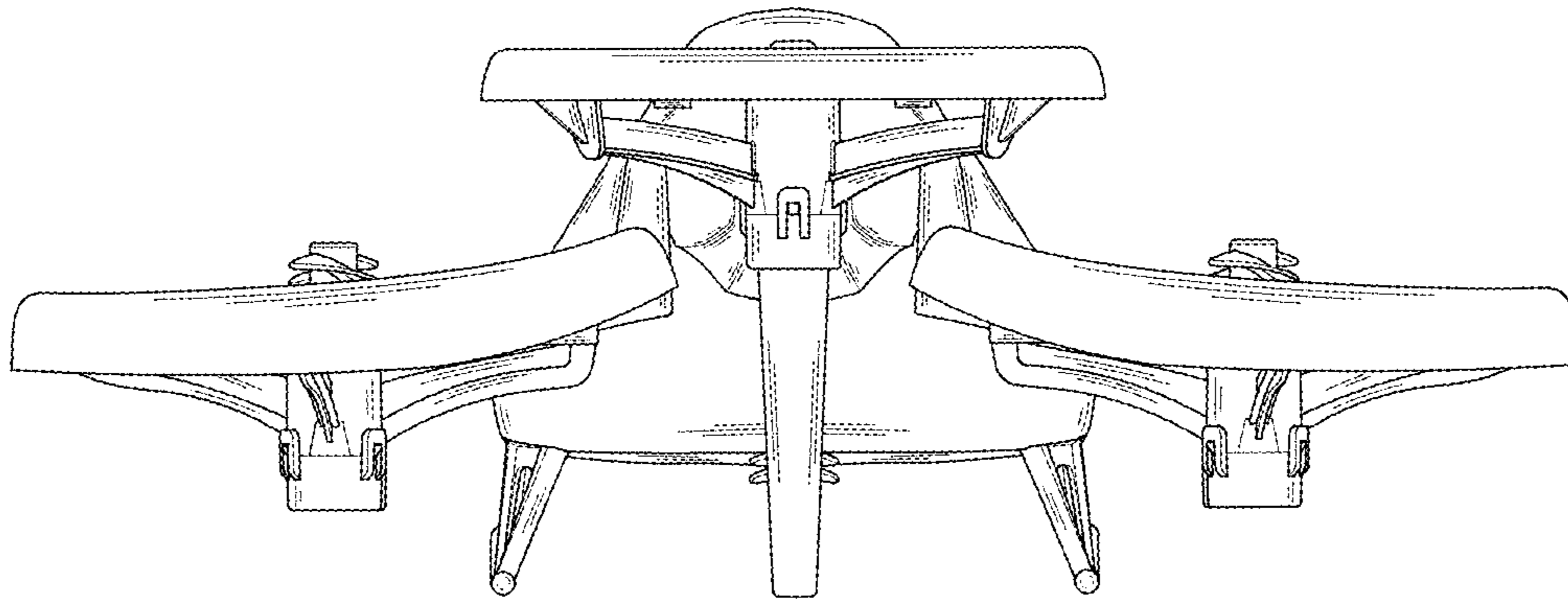


FIG.3

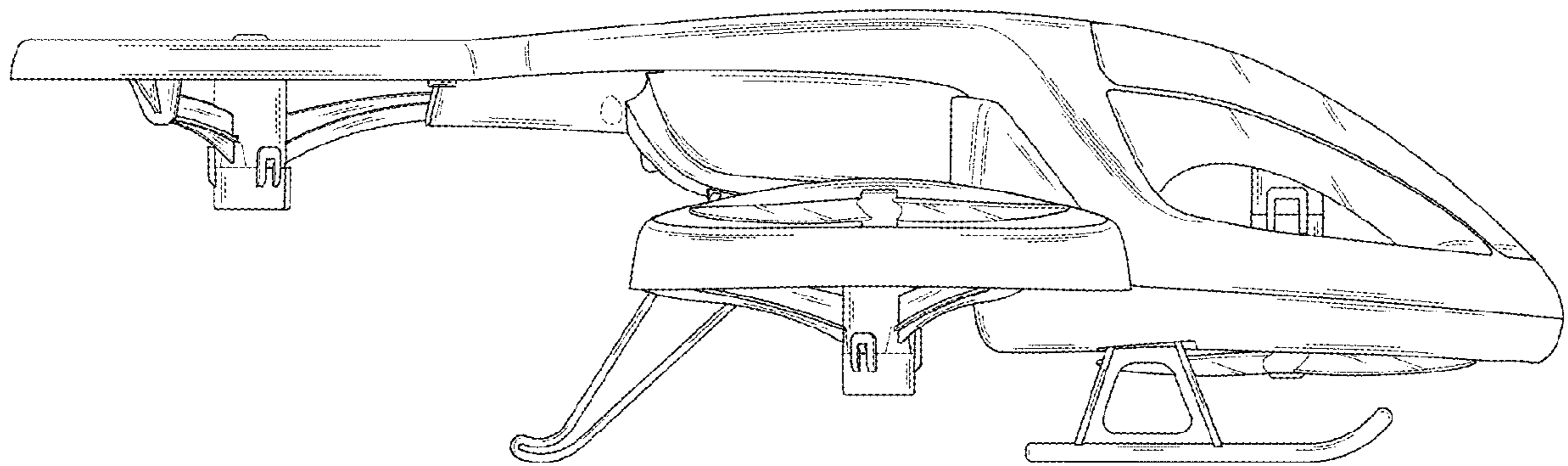


FIG.4

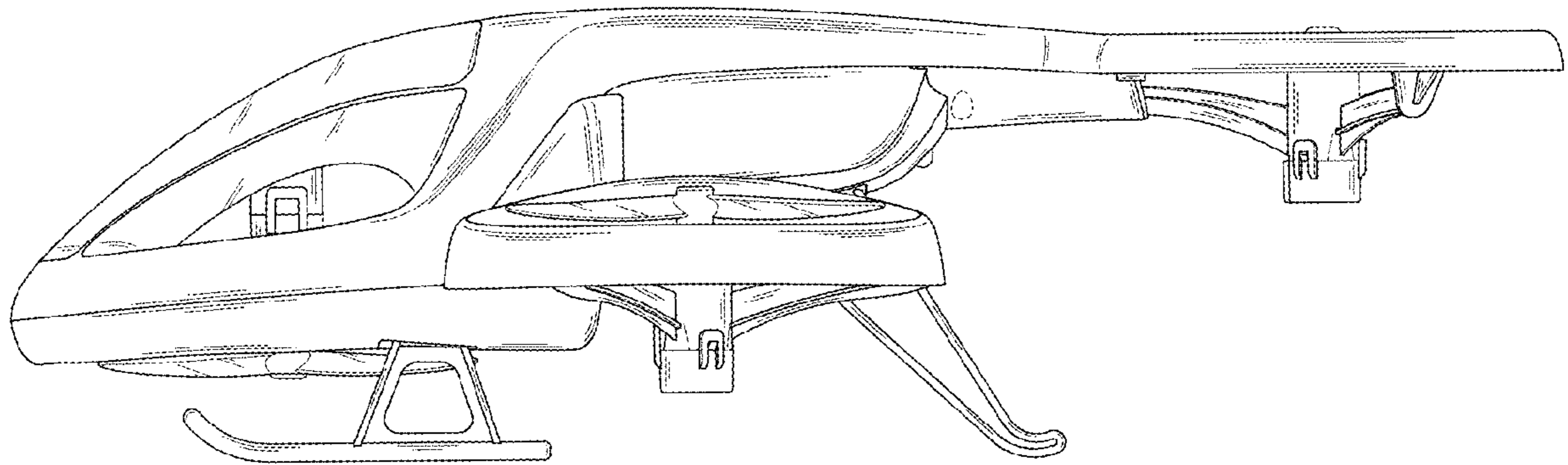


FIG.5

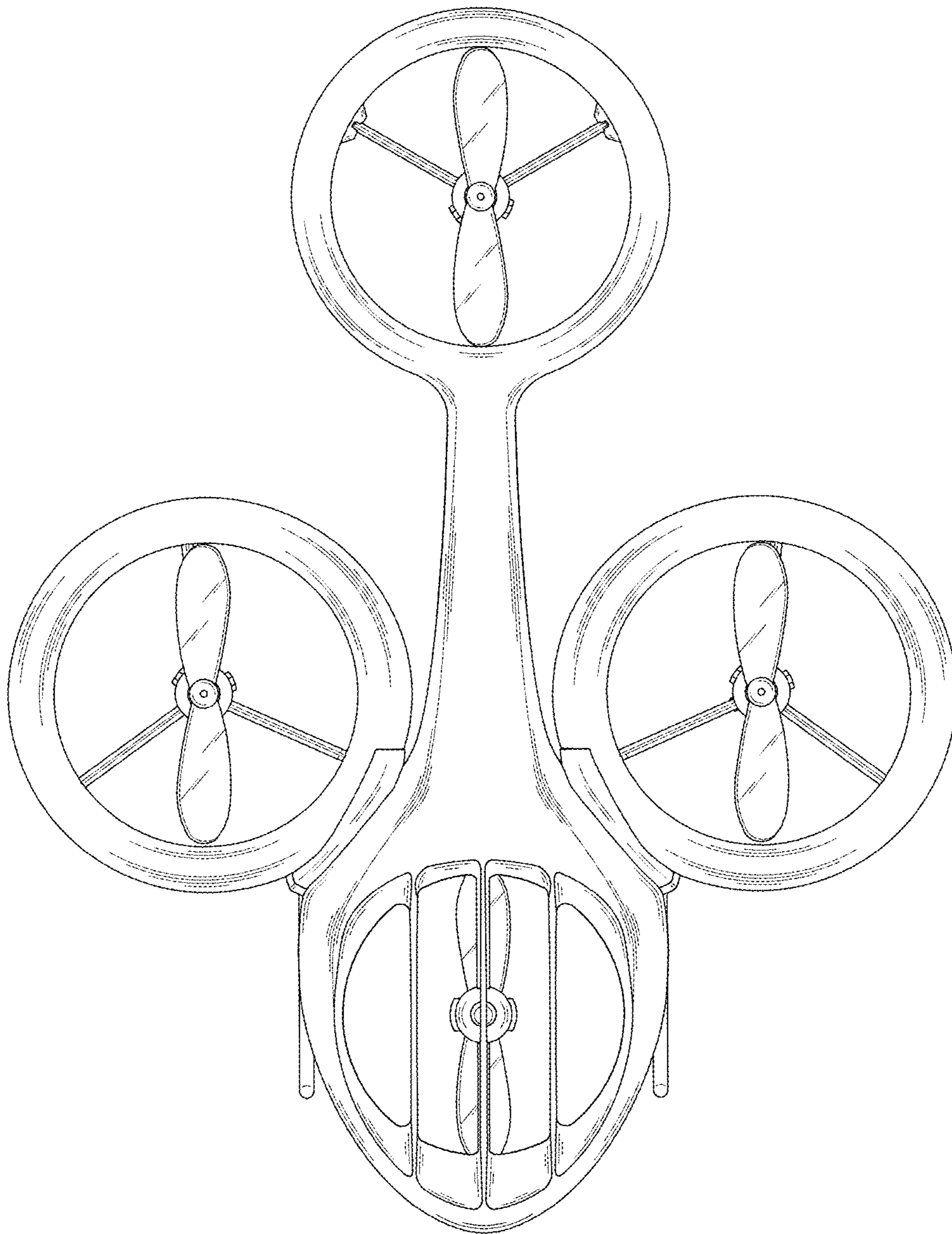


FIG.6

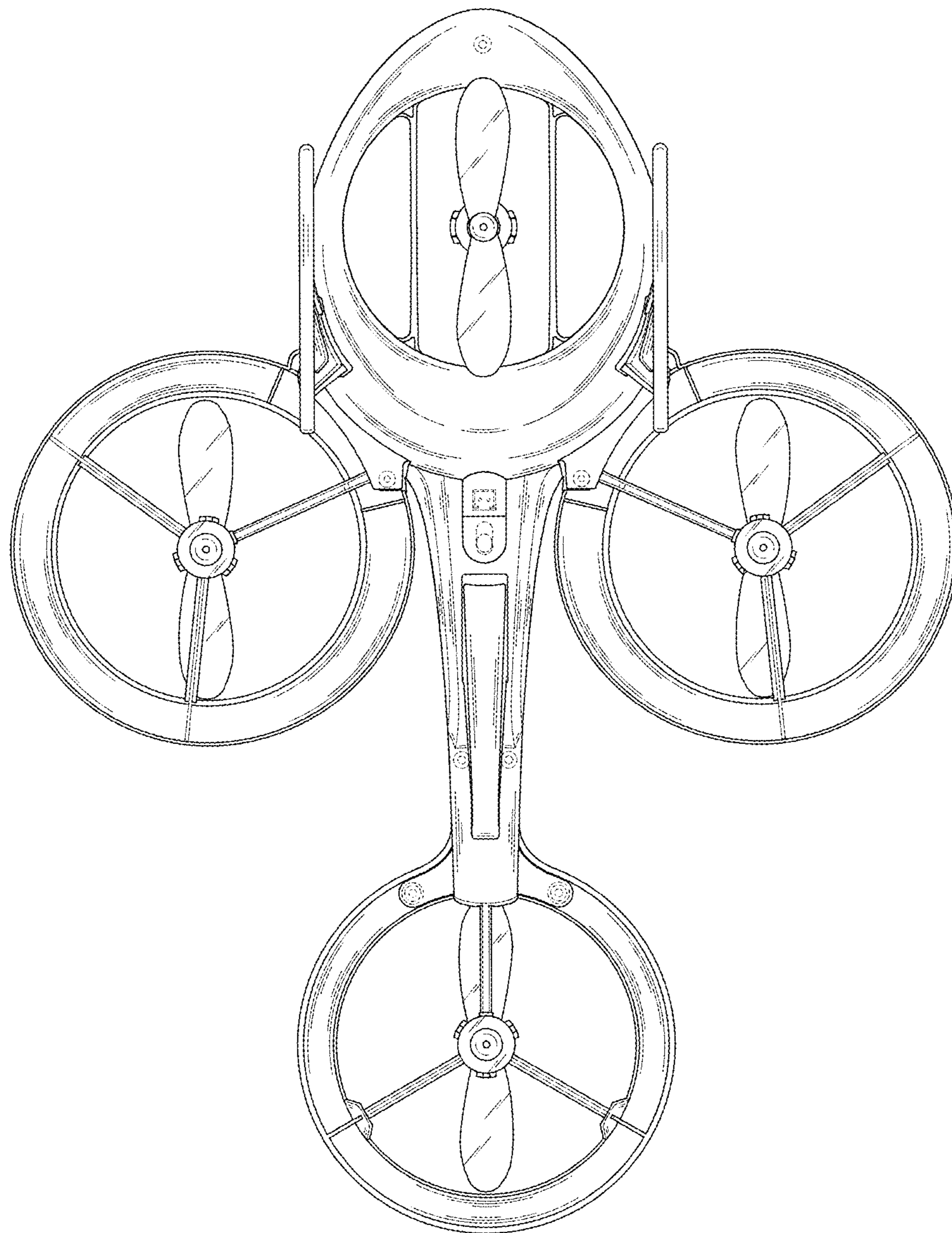


FIG. 7