



US00D881281S

(12) **United States Design Patent**
Tong

(10) **Patent No.:** **US D881,281 S**
(45) **Date of Patent:** **** Apr. 14, 2020**

(54) **CONTROLLER**

- (71) Applicant: **RAZER (ASIA-PACIFIC) PTE. LTD.**,
Singapore (SG)
- (72) Inventor: **Ien Yu Tong**, Johor (MY)
- (73) Assignee: **RAZER (ASIA-PACIFIC) PTE. LTD.**,
Singapore (SG)
- (**) Term: **15 Years**

- (21) Appl. No.: **29/655,724**
- (22) Filed: **Jul. 6, 2018**
- (51) **LOC (12) Cl.** **21-01**
- (52) **U.S. Cl.**
USPC **D21/333**
- (58) **Field of Classification Search**
USPC D14/174, 218, 387-389, 400-418,
D14/426-431, 443, 449-450, 454, 471,
D14/511; D21/333, 363, 368
CPC A63F 13/42; A63F 13/98; A63F 13/24;
G06F 3/0338
See application file for complete search history.

(56) **References Cited**

U.S. PATENT DOCUMENTS

5,670,988	A *	9/1997	Tickle	G06F 3/0338 345/157
D581,422	S *	11/2008	Hayes	D14/401
D685,434	S *	7/2013	Ali	D14/401
D694,830	S *	12/2013	Crowley	D14/401
8,641,525	B2 *	2/2014	Burgess	A63F 13/24 463/37
D708,615	S *	7/2014	Delrue	D14/401
D709,882	S *	7/2014	Morris	D14/401
D754,128	S *	4/2016	Bellinghausen	D14/401
D801,893	S *	11/2017	Simoens	D12/174
10,286,306	B2 *	5/2019	Okamura	A63F 13/24
2008/0261695	A1 *	10/2008	Coe	A63F 13/24 463/37

(Continued)

OTHER PUBLICATIONS

Razer Raiju Ultimate: Published Aug. 20, 2018 [online], site visited Feb. 17, 2020. Available from Internet URL: <https://youtu.be/NyxW81QtouU> (Year: 2018).*

(Continued)

Primary Examiner — Jack Reickel
Assistant Examiner — Melvin L Davis
 (74) *Attorney, Agent, or Firm* — Polsinelli PC

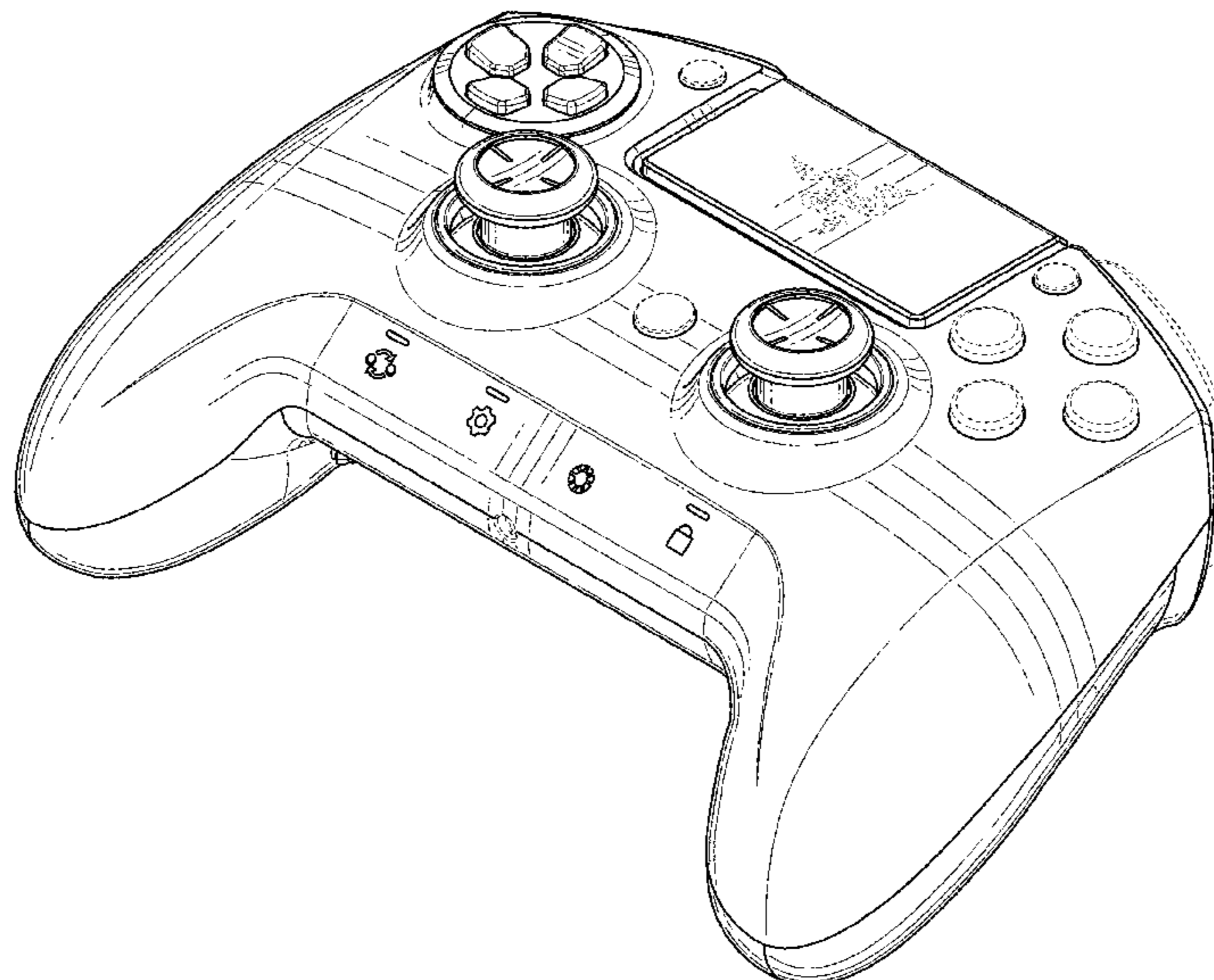
(57) **CLAIM**

I claim the ornamental design for a controller, as shown and described.

DESCRIPTION

FIG. 1 is a perspective view of a first embodiment of a controller, showing my new design;
 FIG. 2 is a front elevational view thereof;
 FIG. 3 is a rear elevational view thereof;
 FIG. 4 is a right side elevational view thereof;
 FIG. 5 is a left side elevational view thereof;
 FIG. 6 is a top plan view thereof; and
 FIG. 7 is a bottom plan view thereof.
 FIG. 8 is an exploded, perspective view of a second embodiment of the controller, the second embodiment being the same as the first embodiment except that some removable portions of the controller are exploded from the body of the controller;
 FIG. 9 is an exploded, front elevational view thereof;
 FIG. 10 is an exploded, rear elevational view thereof;
 FIG. 11 is an exploded, right side elevational view thereof;
 FIG. 12 is an exploded, left side elevational view thereof;
 FIG. 13 is an exploded, top plan view thereof; and,
 FIG. 14 is an exploded, bottom plan view thereof.
 Broken lines illustrate portions of the controller which form no part of the claimed design.

1 Claim, 14 Drawing Sheets



(56)

References Cited

U.S. PATENT DOCUMENTS

2013/0130800 A1* 5/2013 Sirilux A63F 13/42
463/37

OTHER PUBLICATIONS

Razer Raiju Tournament Edition Quartz: Published Nov. 30, 2015 [online], site visited Feb. 17, 2020. Available from Internet URL:https://www.amazon.co.uk/dp/B00KXYV9O4/ref=cm_sw_r_tw_dp_U_x_dyZsEbYc9MFJF (Year: 2015).*

Hori's New PS4 Controller: Published Jan. 18, 2018 [online], site visited Feb. 17, 2020. Available from Internet URL:<https://www.shacknews.com/article/102880/horis-new-ps4-controller-should-feel-familiar-to-xbox-fans> (Year: 2018).*

NeoGaf: Published Feb. 3, 2013 [online], site visited Feb. 17, 2020. Available from Internet URL:<https://www.neogaf.com/threads/ps4-controller-touchpad-share-button-dualshock.511201/page-24> (Year: 2013).*

* cited by examiner

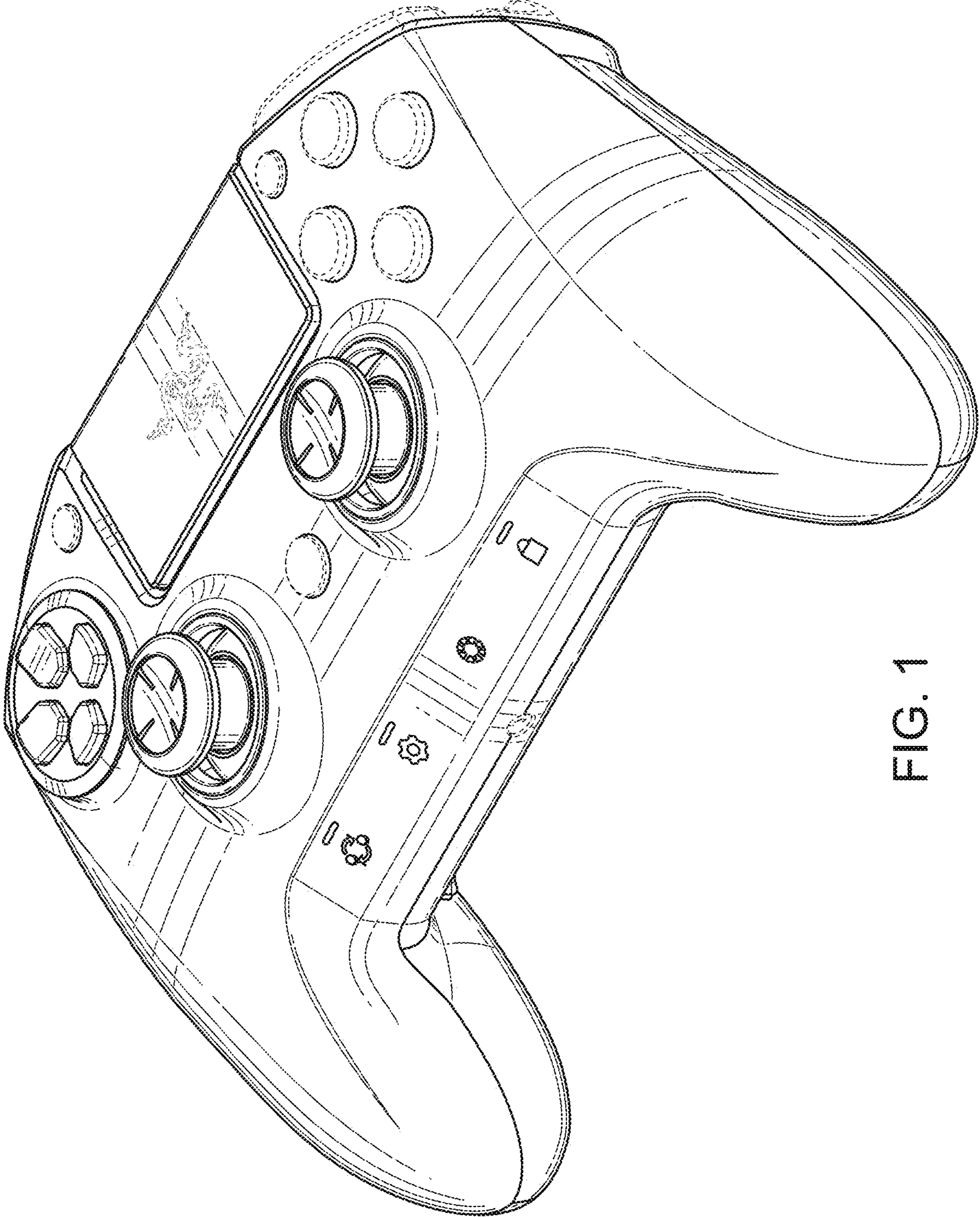


FIG. 1

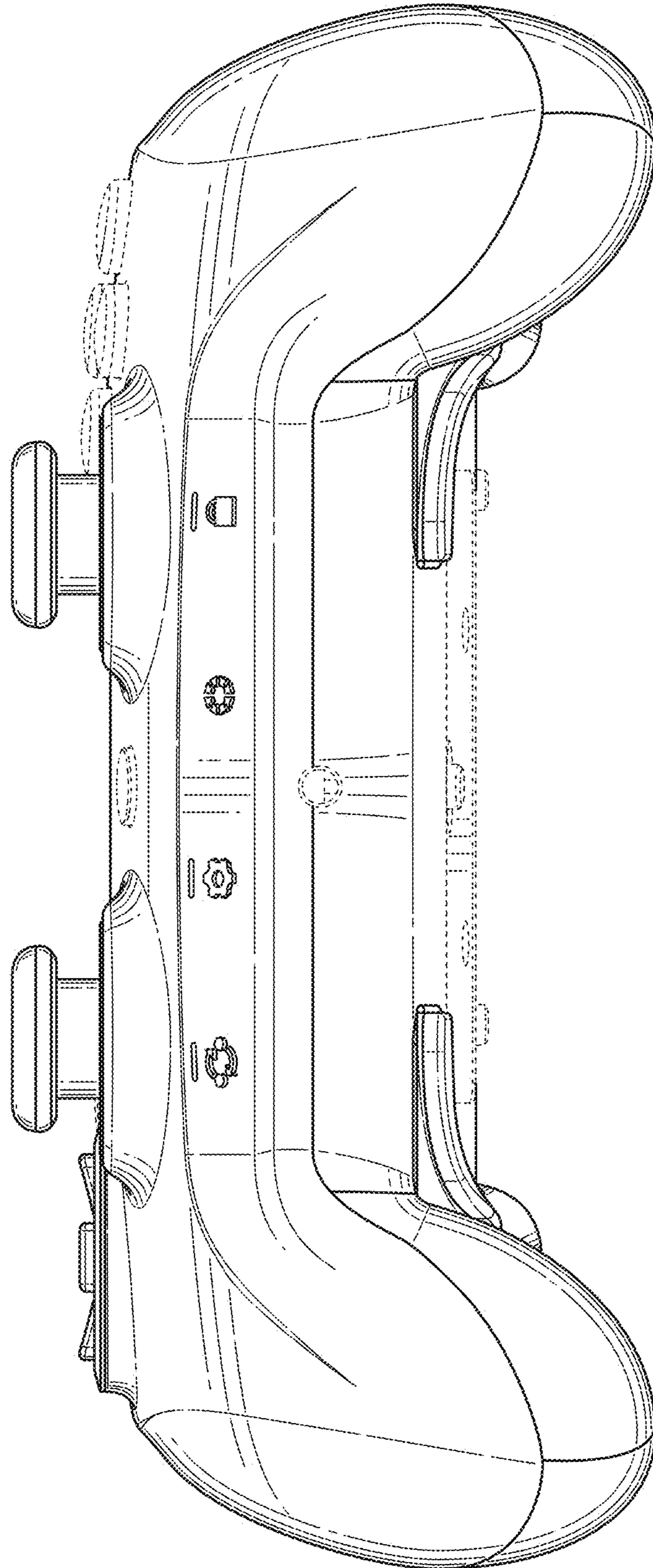


FIG. 2

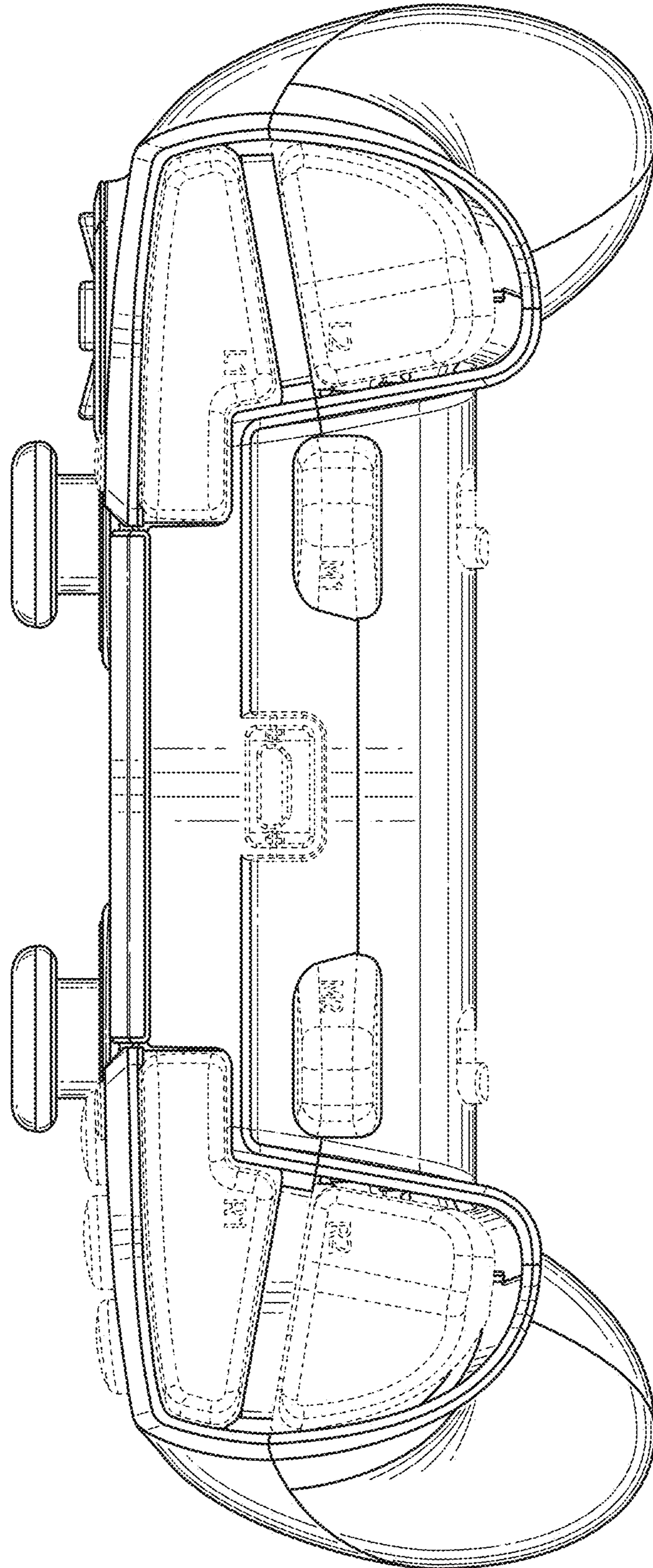


FIG. 3

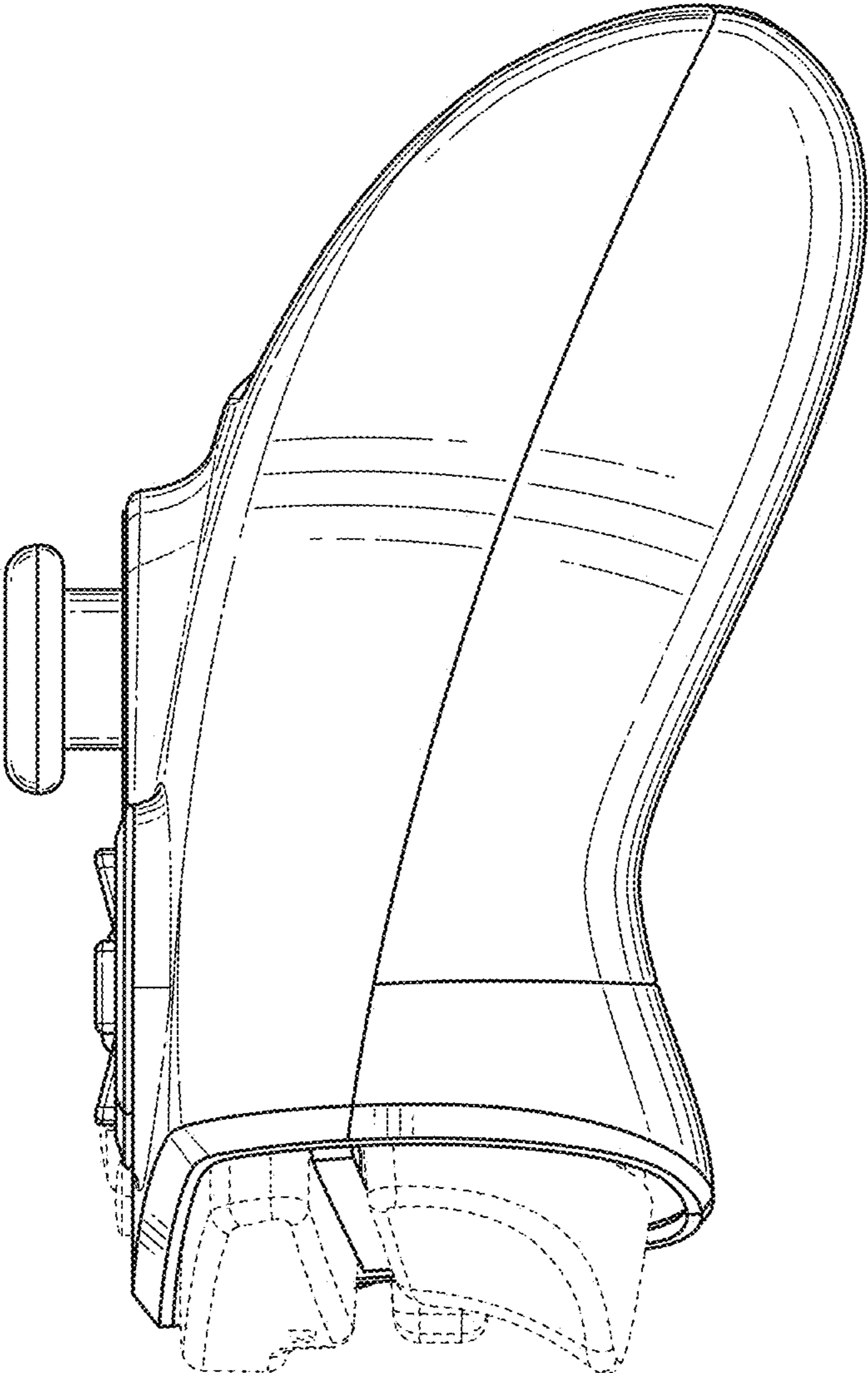


FIG. 4

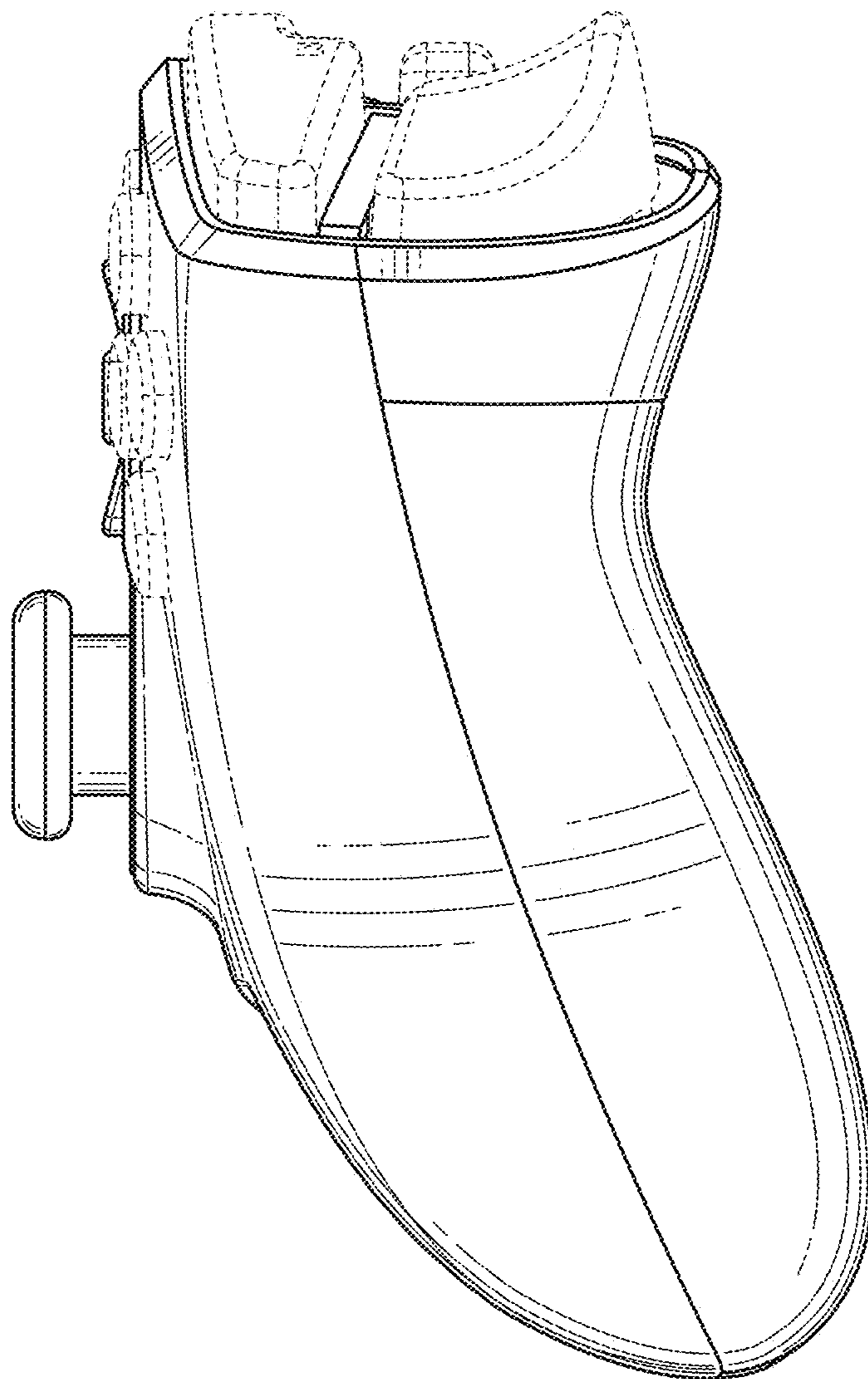


FIG. 5

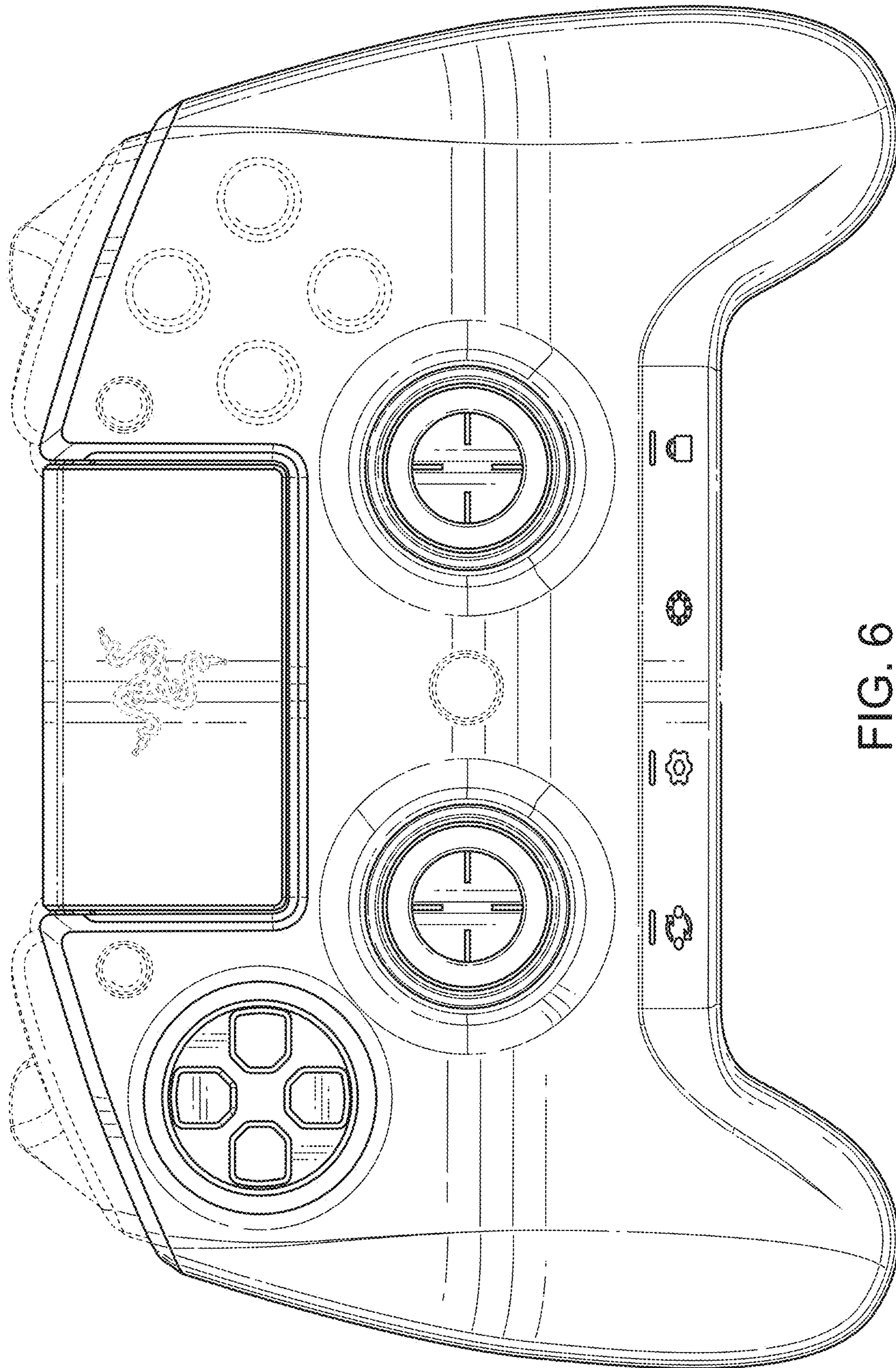


FIG. 6

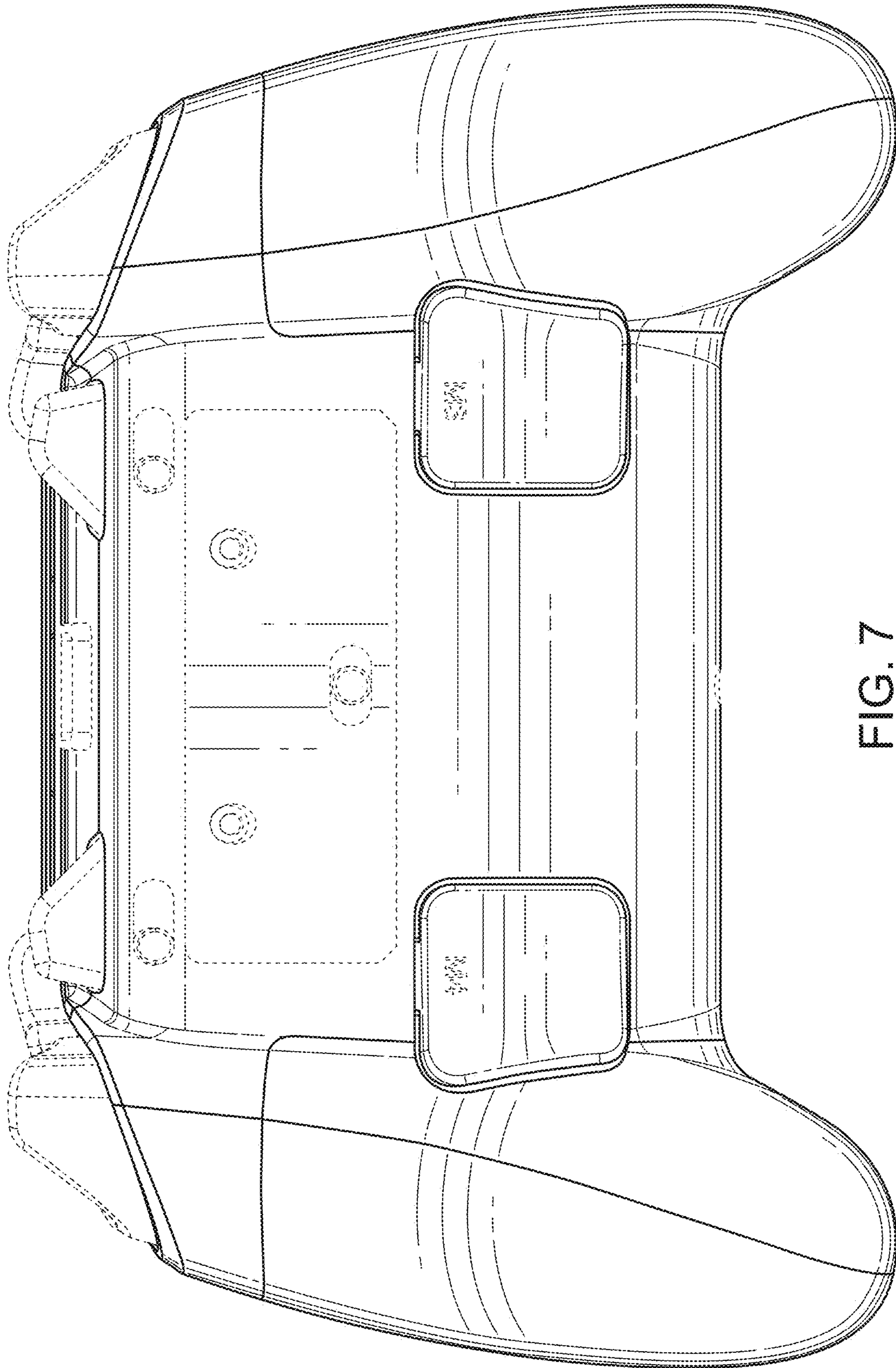


FIG. 7

FIG. 8

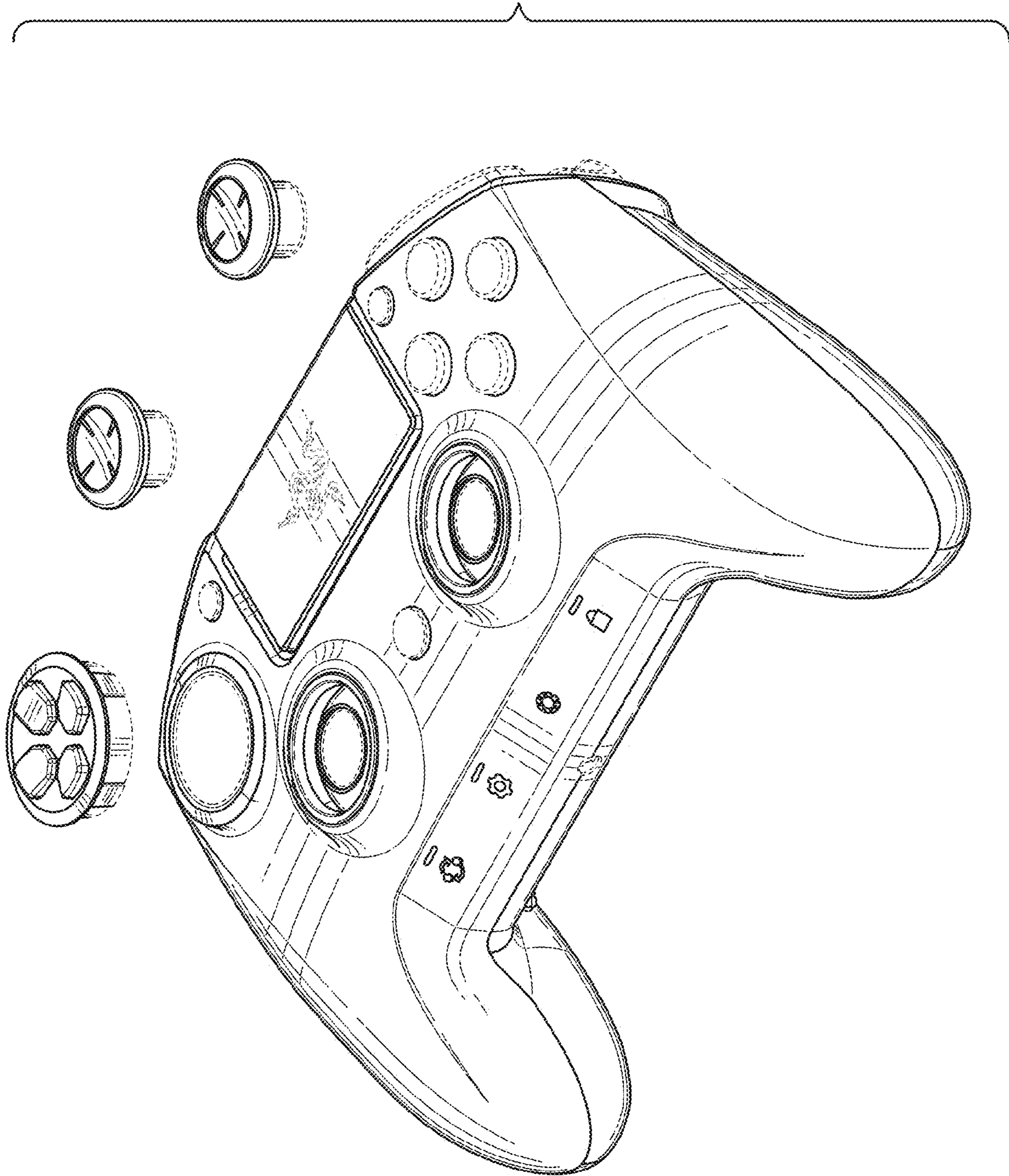


FIG. 9

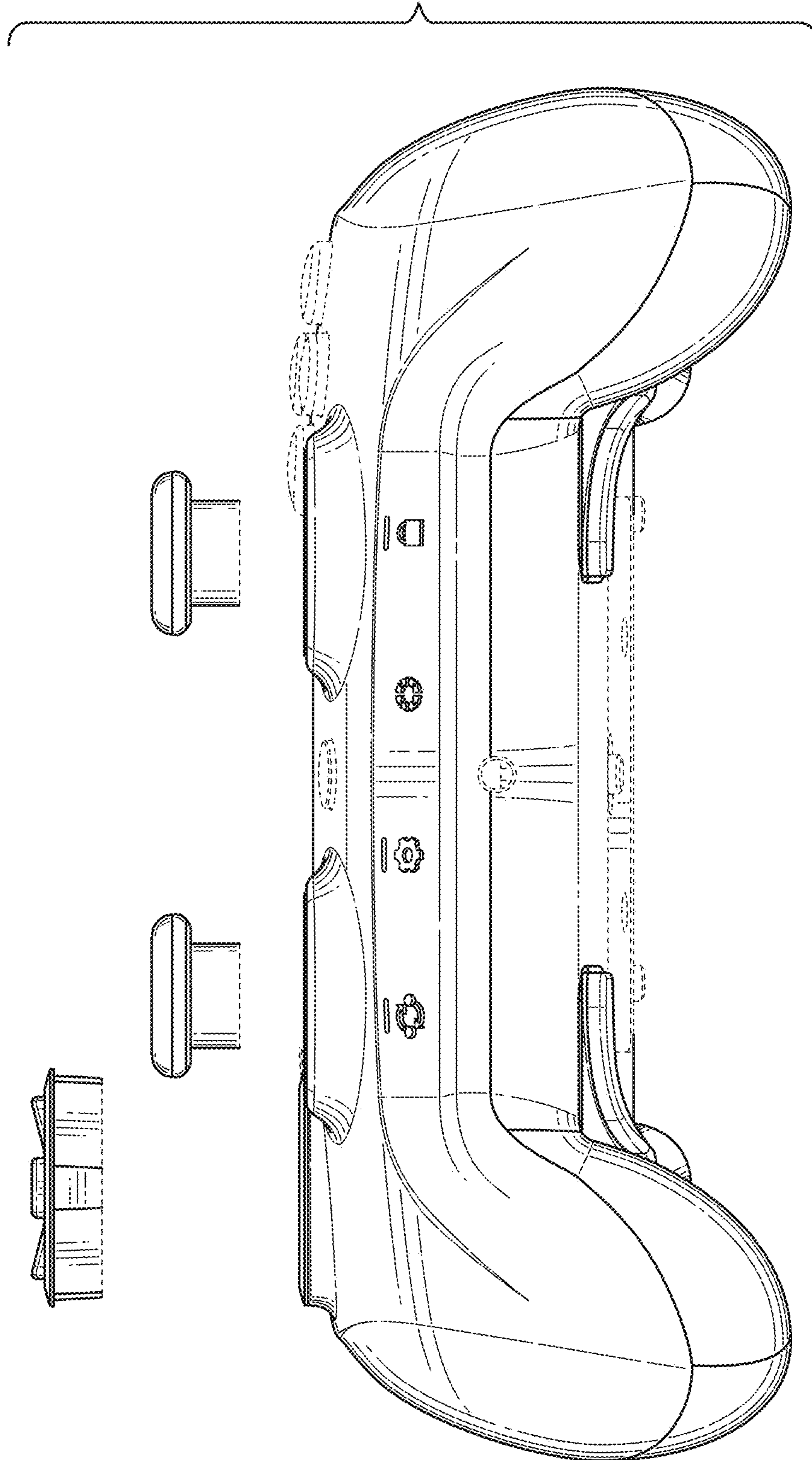


FIG. 10

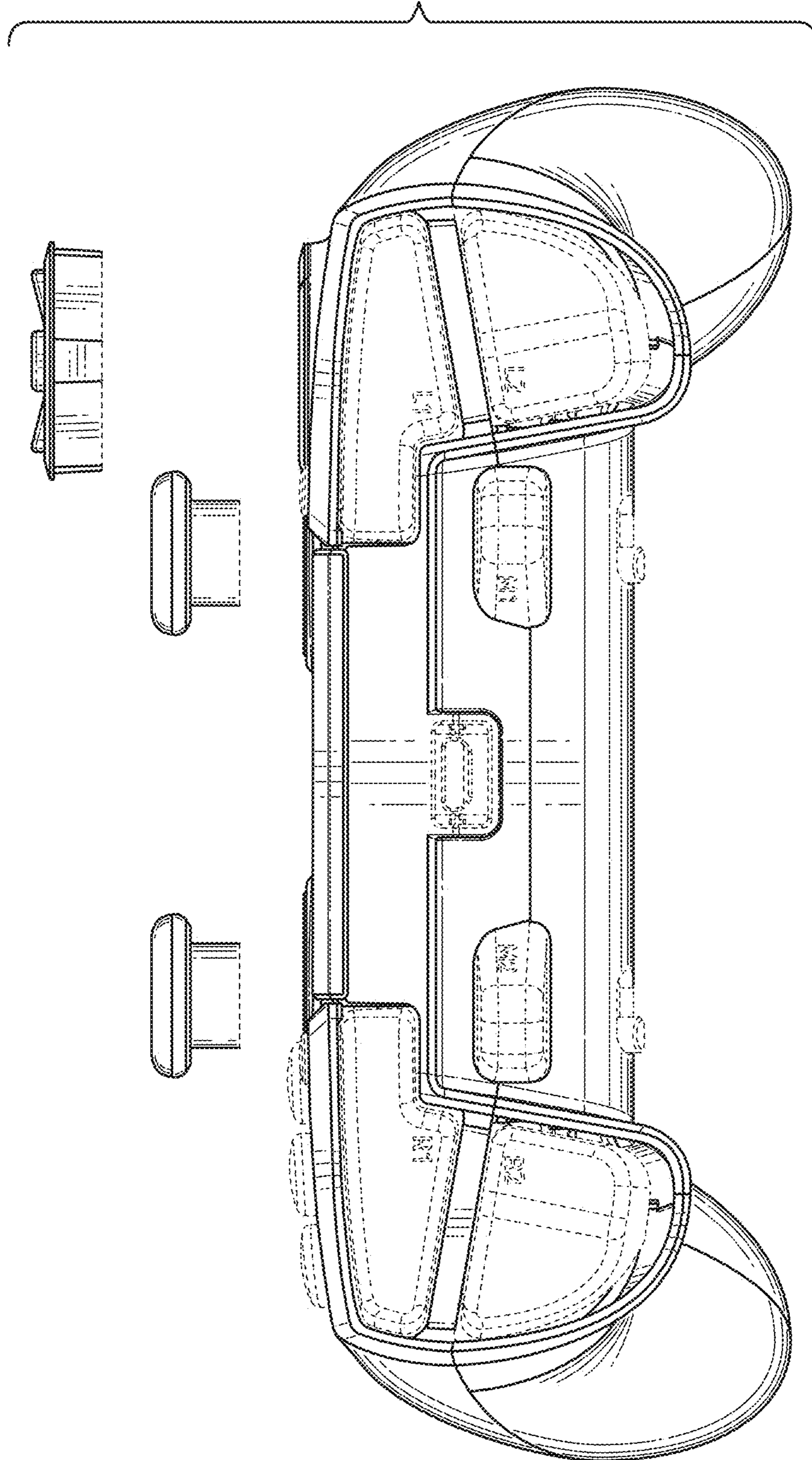


FIG. 11

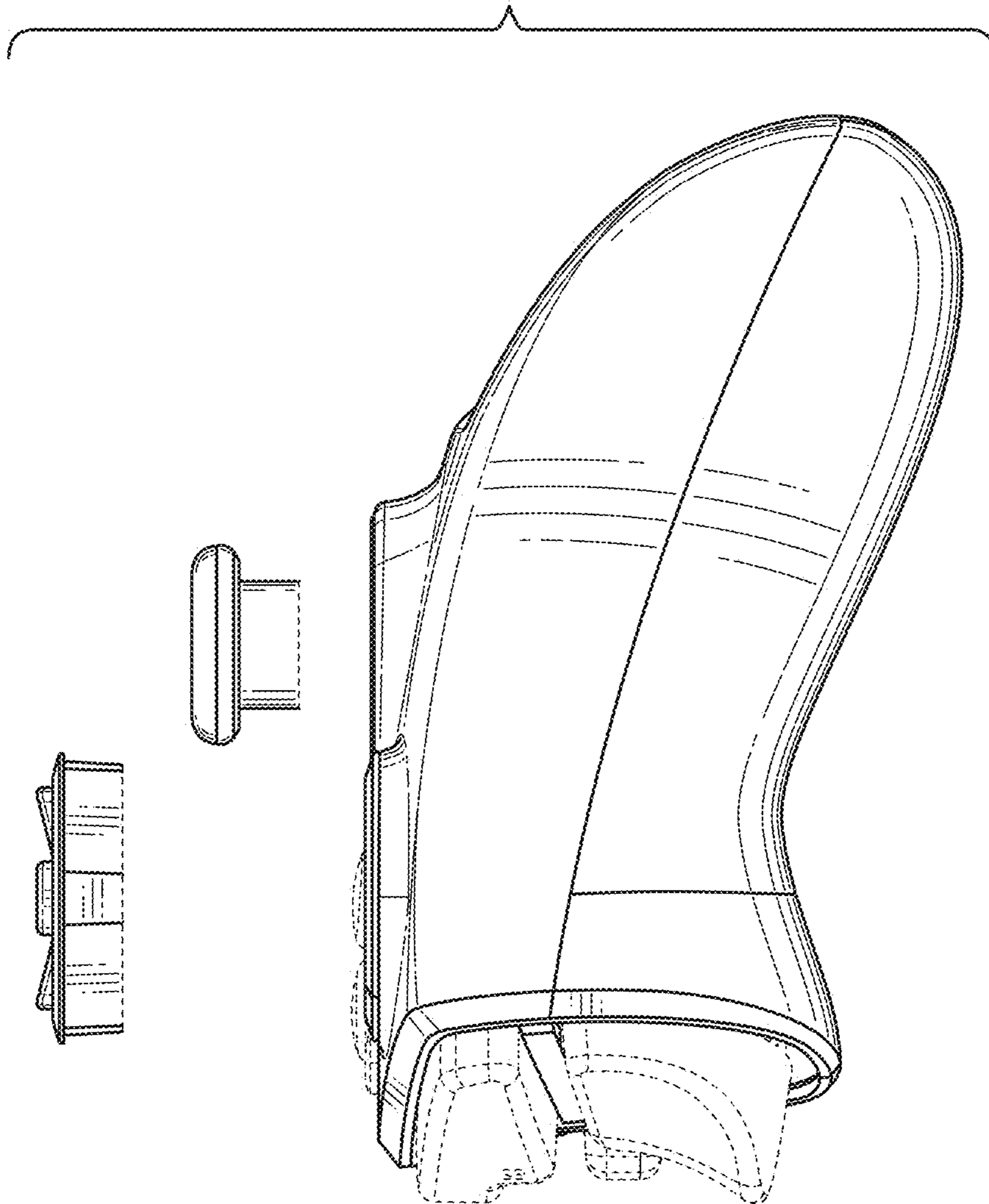


FIG. 12

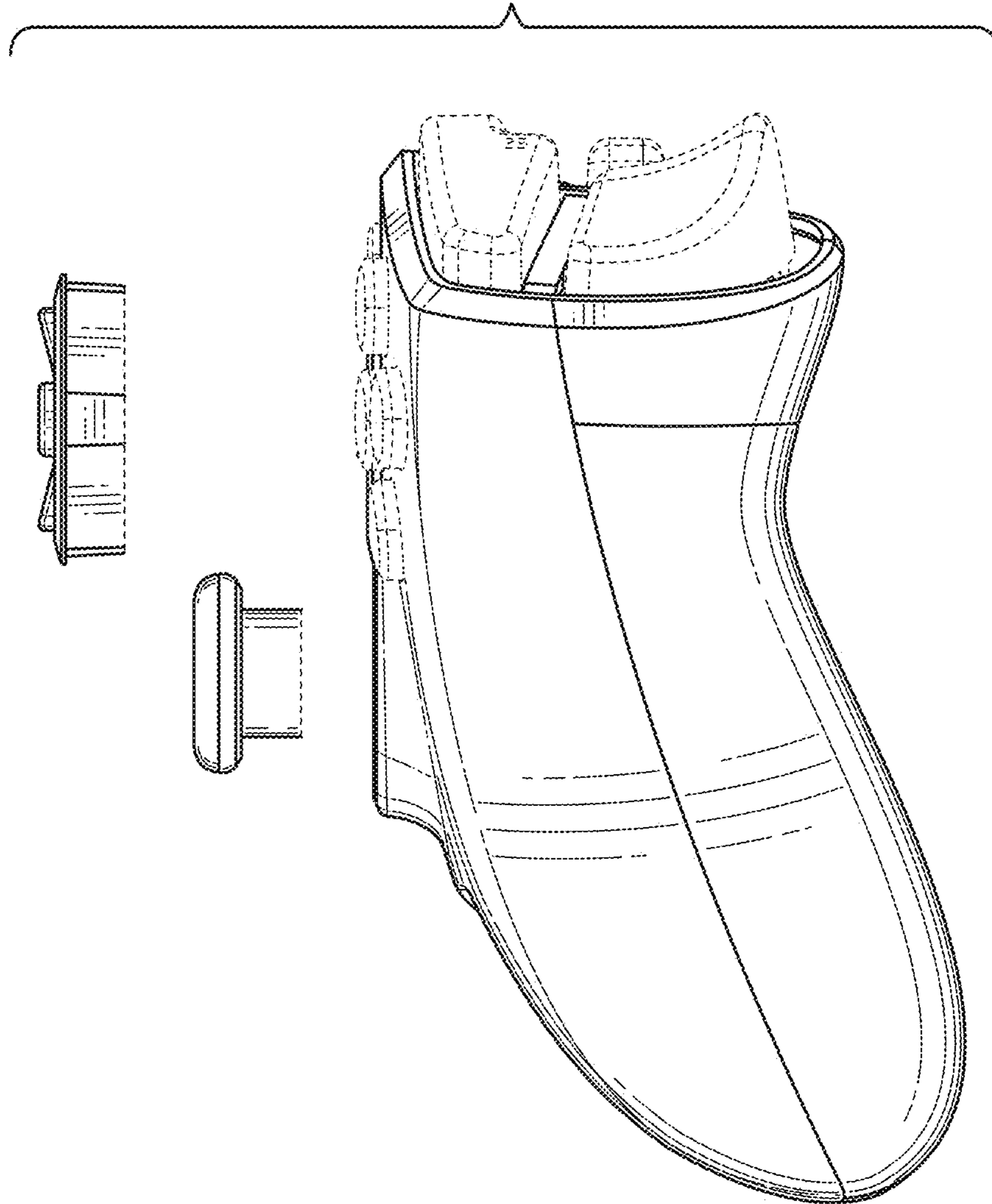


FIG.13

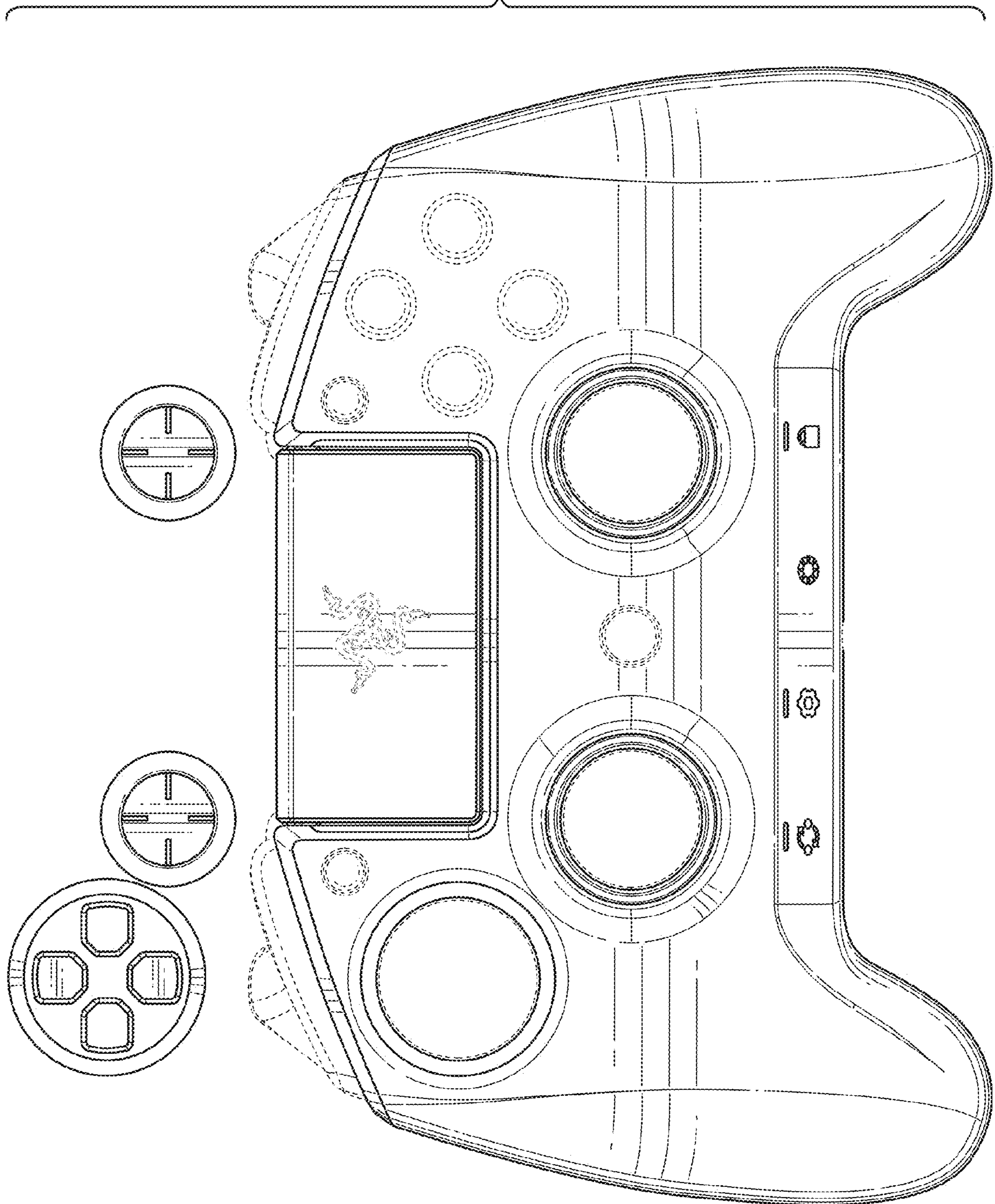


FIG. 14

