



US00D881269S

(12) **United States Design Patent** (10) **Patent No.:** **US D881,269 S**  
**Blanc** (45) **Date of Patent:** **\*\* Apr. 14, 2020**

(54) **PAYMENT TERMINAL**  
(71) Applicant: **Ingenico Group**, Paris (FR)  
(72) Inventor: **Olivier Blanc**, Saint-Peray (FR)  
(73) Assignee: **INGENICO GROUP**, Paris (FR)  
(\*\*) Term: **15 Years**  
(21) Appl. No.: **29/662,171**  
(22) Filed: **Sep. 4, 2018**

D458,255 S \* 6/2002 Hsu ..... D14/373  
D486,176 S \* 2/2004 Flaherty ..... D18/4.4  
7,161,470 B2 \* 1/2007 Berquist ..... G06K 7/10079  
340/10.31  
D550,710 S \* 9/2007 Ichinose ..... D14/496  
D583,822 S \* 12/2008 Matsumoto ..... D14/426  
D586,801 S \* 2/2009 Mincolelli ..... D14/341  
D589,829 S \* 4/2009 Friedli ..... D10/108  
D600,689 S \* 9/2009 Jen ..... D14/300  
D601,052 S \* 9/2009 Friedli ..... D10/108  
D618,355 S \* 6/2010 Delaey ..... D24/158

(Continued)

(30) **Foreign Application Priority Data**  
Mar. 5, 2018 (EM) ..... 004739464-0001  
(51) **LOC (12) Cl.** ..... **18-01**  
(52) **U.S. Cl.**  
USPC ..... **D18/4.6**  
(58) **Field of Classification Search**  
USPC ... D18/4.4, 4.5, 4.6, 2, 11, 4, 19-21, 50, 54,  
D18/99; D14/307, 336, 371, 374, 383,  
D14/385, 386, 496, 126, 129, 299, 900,  
D14/901, 902, 341  
CPC ..... G06Q 20/00; G06Q 20/08; G06Q 20/20;  
G06Q 20/40; G06Q 20/204; G06Q  
20/341; G07F 7/0873; G07F 7/088; G07G  
1/0009; G07G 1/0018; G07G 1/0036;  
G07G 1/14; F16M 11/10; F16M 11/22  
See application file for complete search history.

(56) **References Cited**  
U.S. PATENT DOCUMENTS  
D279,565 S \* 7/1985 Forbis ..... D12/114  
D289,291 S \* 4/1987 Kapper ..... D14/389  
D303,111 S \* 8/1989 Paley ..... D14/374  
D313,793 S \* 1/1991 Kato ..... D14/339  
D321,172 S \* 10/1991 Moore, IV ..... D14/389  
D338,452 S \* 8/1993 Allgeier ..... D14/374  
D344,494 S \* 2/1994 Cardenas ..... D14/344  
D408,383 S \* 4/1999 Carter ..... D14/126

**OTHER PUBLICATIONS**

Payment terminals. (Design—©Questel) orbit.com. [online PDF] 36 pgs. Print Dates Range Aug. 31, 1995 through Aug. 9, 2019. [Retrieved on Oct. 7, 2019] <https://sobjprd.questel.fr/export/QPTUJ214/pdf2/b81f860c-aa89-49bd-a49d-81ba0a099c14-230321.pdf>.\*

(Continued)

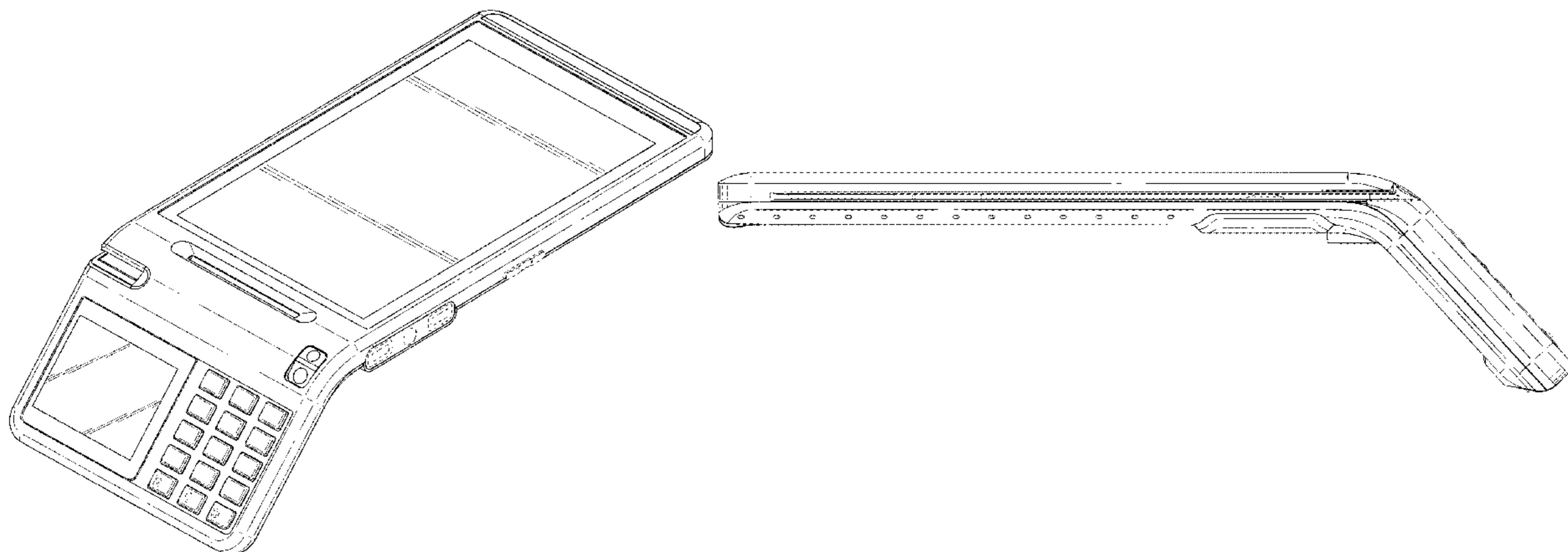
*Primary Examiner* — Marie D. Fast Horse  
(74) *Attorney, Agent, or Firm* — Hahn Loeser & Parks LLP

(57) **CLAIM**  
The ornamental design for a payment terminal, as shown and described.

**DESCRIPTION**

FIG. 1 is a perspective view of an embodiment of a payment terminal showing the new design;  
FIG. 2 is a front view of the embodiment of FIG. 1;  
FIG. 3 is a bottom view of the embodiment of FIG. 1;  
FIG. 4 is a right side view of the embodiment of FIG. 1;  
FIG. 5 is a left side view of the embodiment of FIG. 1;  
FIG. 6 is a top view of the embodiment of FIG. 1; and,  
FIG. 7 is a rear view of the embodiment of FIG. 1.  
Broken lines in the drawings depict portions of the payment terminal that form no part of the design to be patented.

**1 Claim, 7 Drawing Sheets**



(56)

**References Cited**

U.S. PATENT DOCUMENTS

D624,115 S \* 9/2010 Ausems ..... G06Q 20/0453  
D18/4.6  
D626,550 S \* 11/2010 Julien ..... D14/341  
D665,686 S \* 8/2012 Lee ..... D10/108  
D705,346 S \* 5/2014 Blacken ..... D18/14  
D706,337 S \* 6/2014 Blacken ..... D18/14  
D717,785 S \* 11/2014 Winston ..... D14/307  
D762,766 S \* 8/2016 Bedier ..... D18/4.4  
D770,450 S \* 11/2016 Bae ..... D14/341  
D793,386 S \* 8/2017 Park ..... D14/341  
D798,378 S \* 9/2017 Kim ..... D18/4.6  
D814,559 S \* 4/2018 Oross ..... D18/4.4  
D818,524 S \* 5/2018 Dong ..... D18/4.4  
D838,770 S \* 1/2019 Sato ..... D18/19  
D844,047 S \* 3/2019 Yeruva ..... D18/4.6  
D851,169 S \* 6/2019 Yaginuma ..... D18/4.6  
D859,516 S \* 9/2019 Wang ..... D18/4.6  
2014/0347000 A1 \* 11/2014 Hamann ..... G06F 1/189  
320/103  
2019/0004572 A1 \* 1/2019 Luo ..... G06F 1/1632  
2019/0005476 A1 \* 1/2019 Luo ..... G06K 7/087

OTHER PUBLICATIONS

Axium D7 (Ingenico Group). [online PDF] 2 pgs. © May 2019  
[Retrieved on Oct. 7, 2019]. <https://cdn.ingenico.com/binaries/content/assets/corporate-en/library/datasheets/axium-d7.pdf>.\*

\* cited by examiner

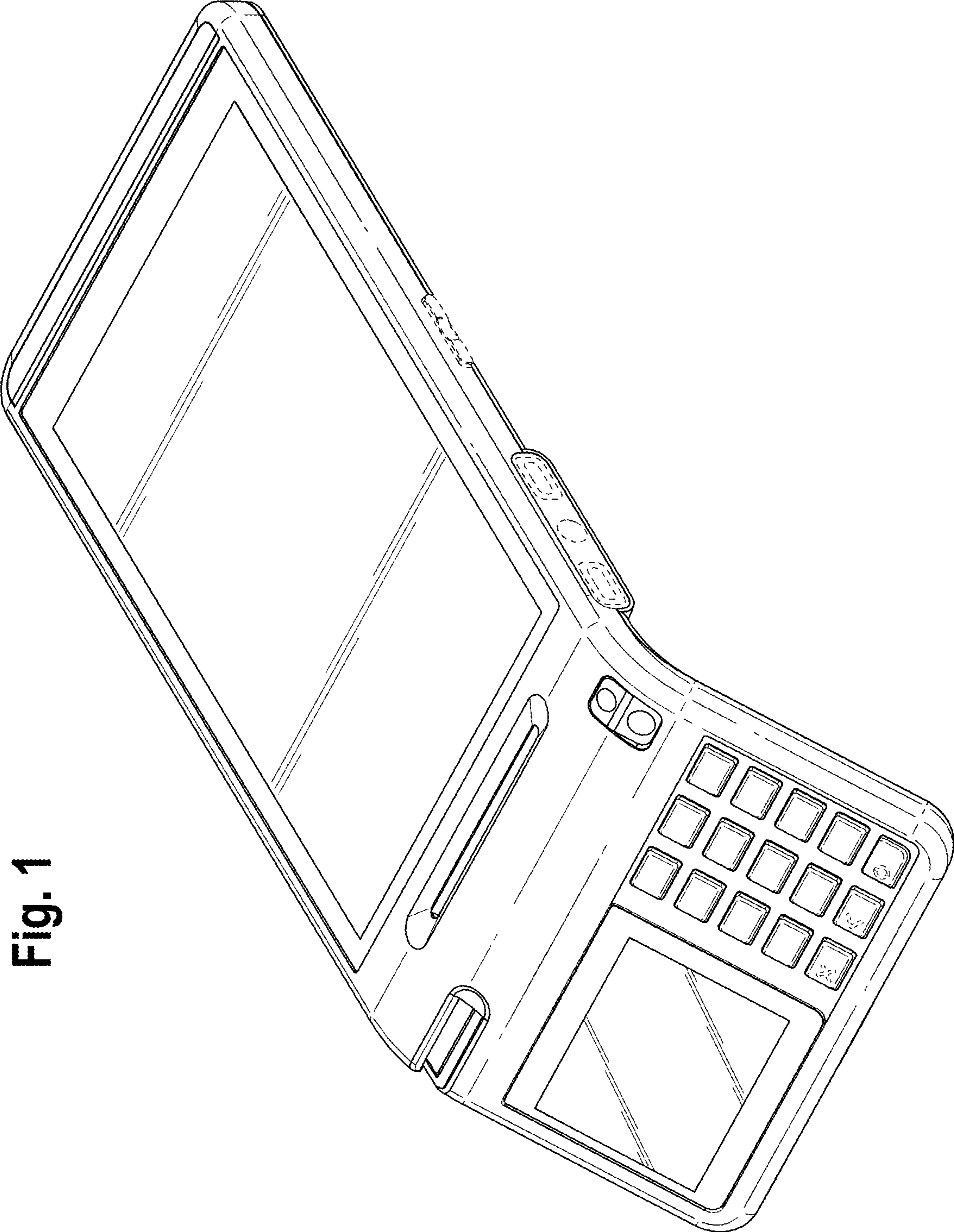


Fig. 1

Fig. 2

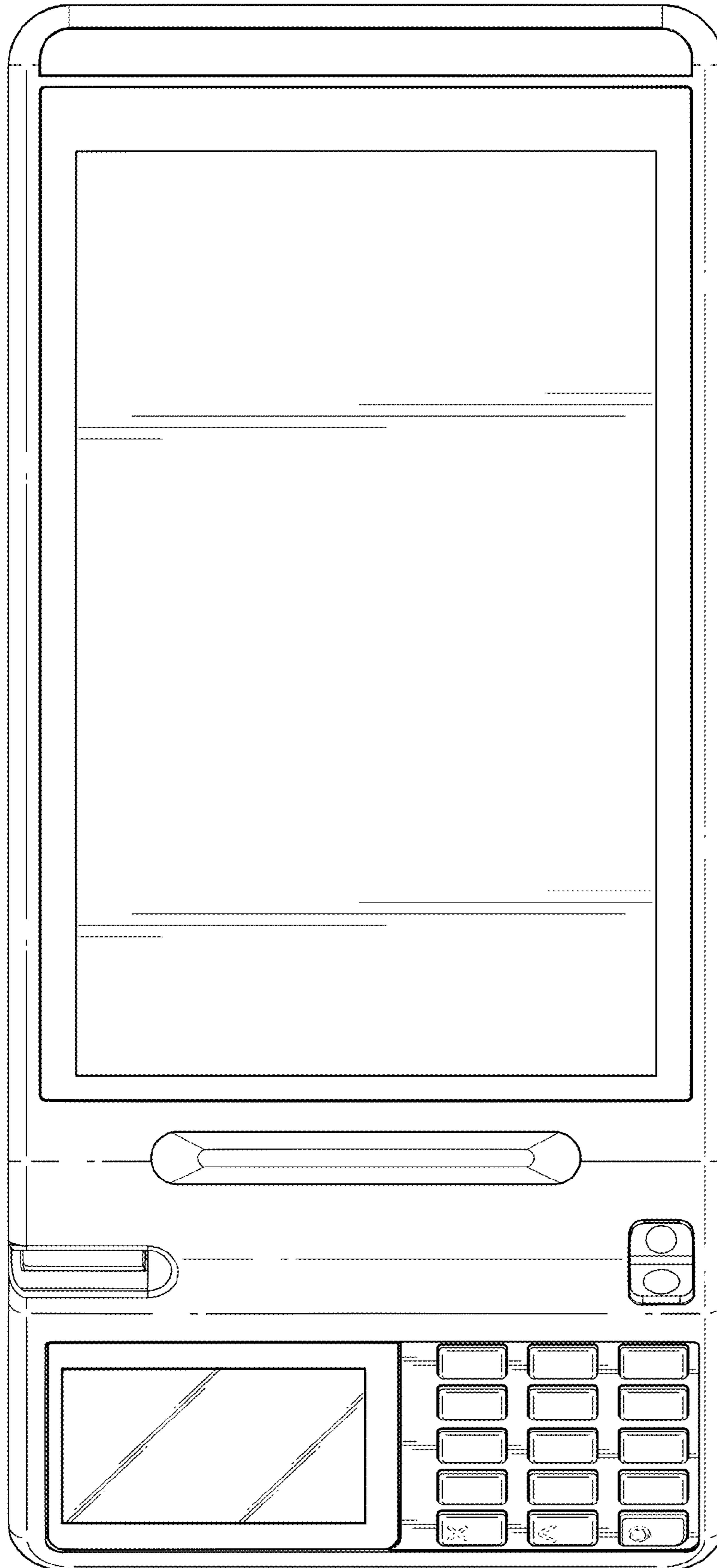


Fig. 3

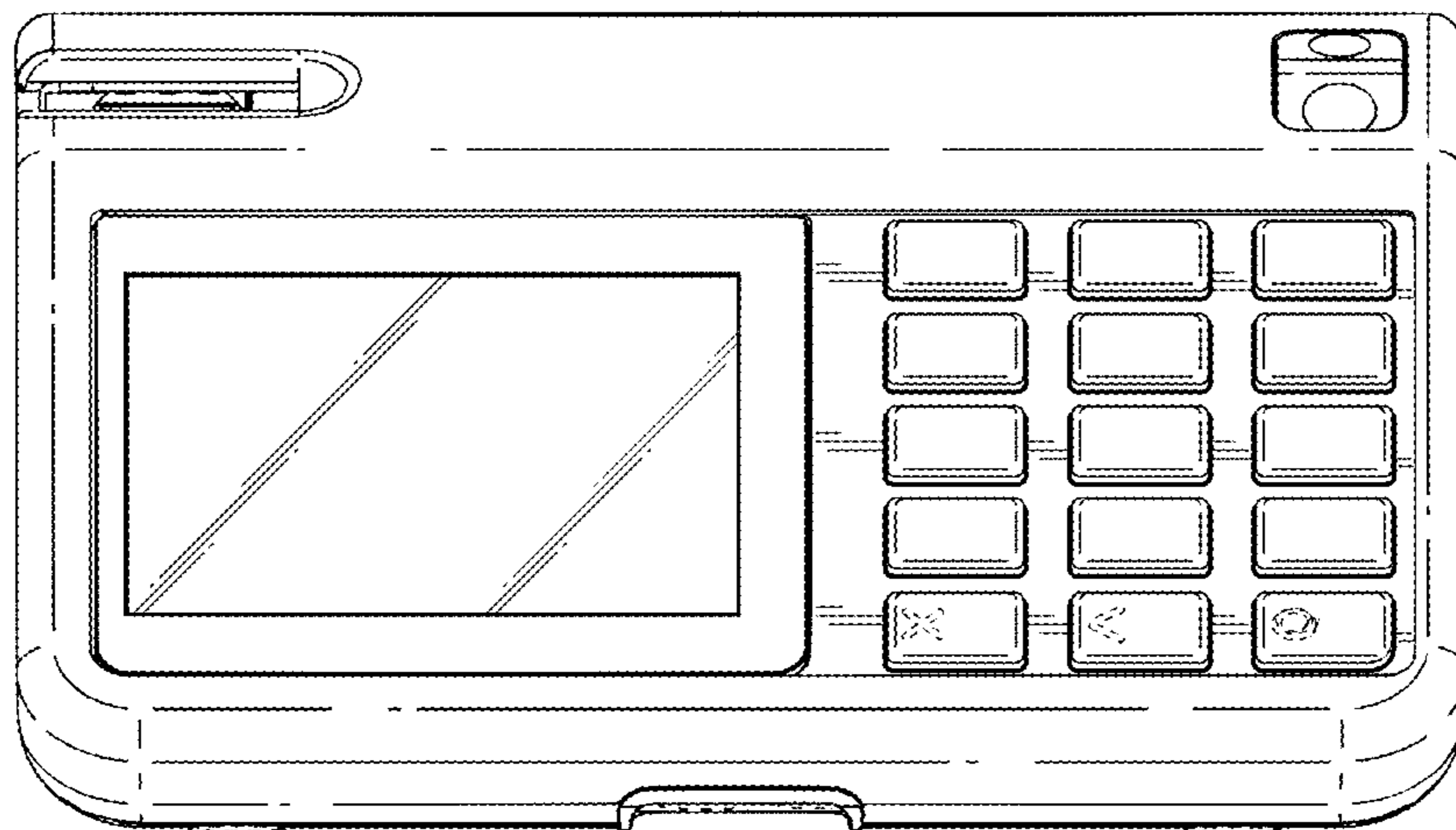


Fig. 4

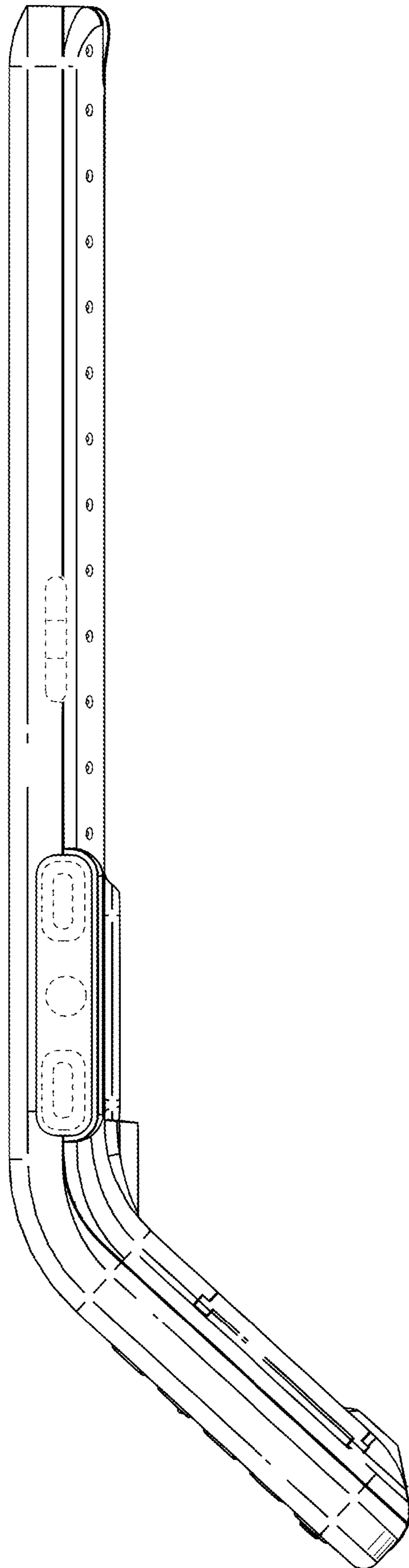
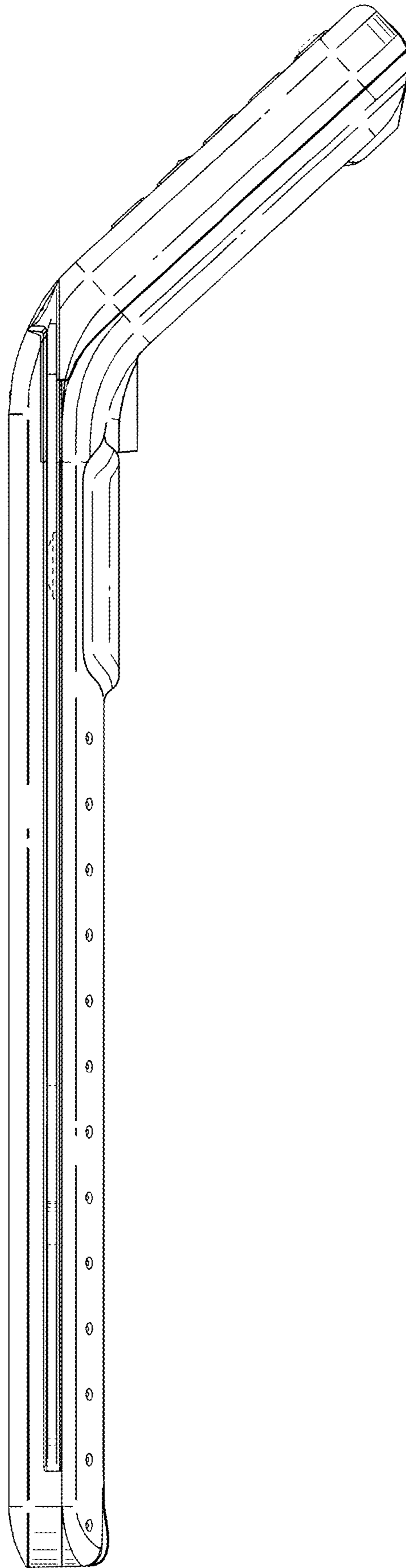


Fig. 5



**Fig. 6**

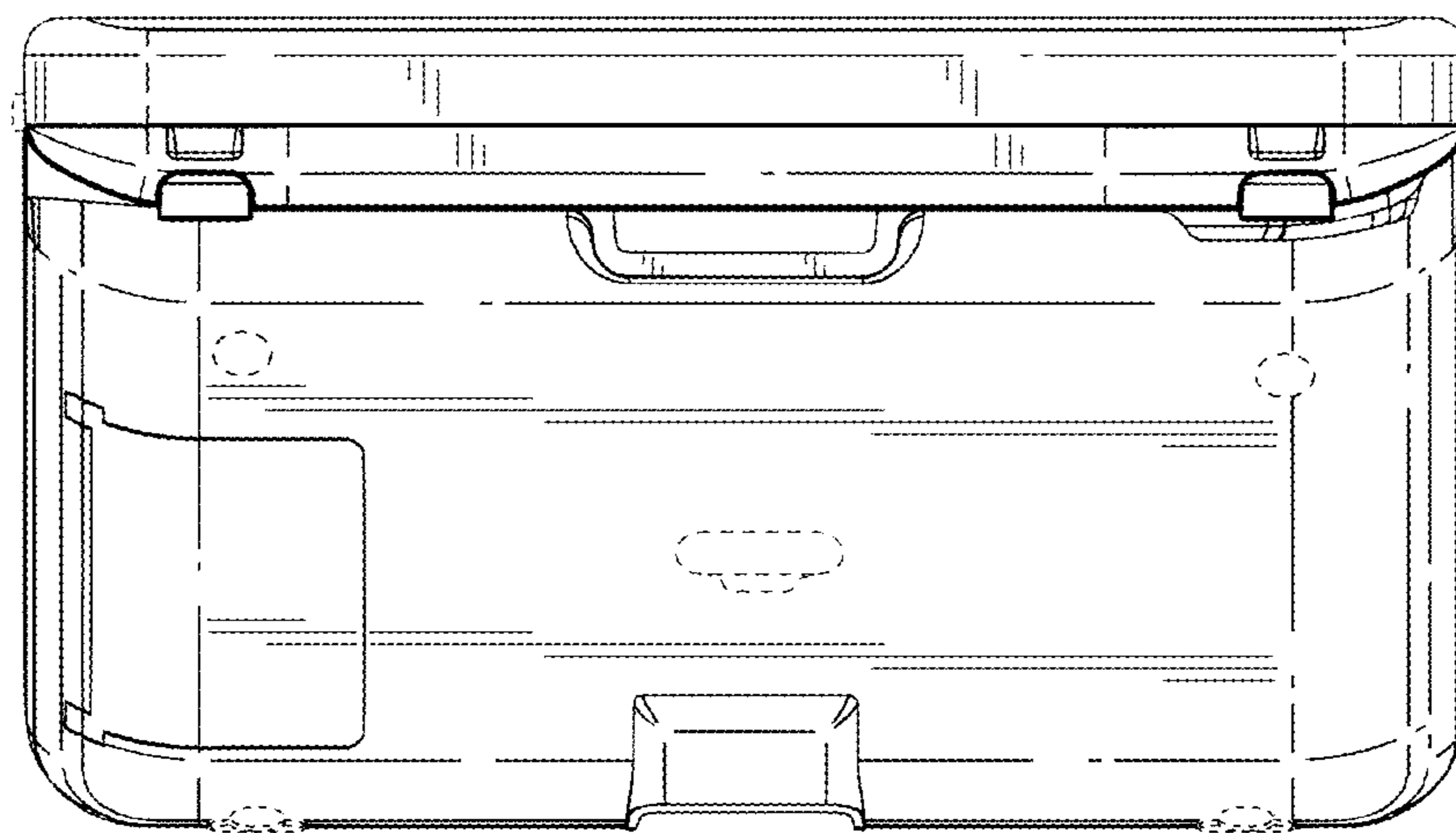




Fig. 7

