



US00D881268S

(12) **United States Design Patent**
Kuramoto

(10) **Patent No.:** **US D881,268 S**

(45) **Date of Patent:** **** Apr. 14, 2020**

(54) **MUSIC SEQUENCER**

(71) Applicant: **Pioneer DJ CORPORATION,**
Yokohama-shi, Kanagawa (JP)

(72) Inventor: **Takahiro Kuramoto,** Yokohama (JP)

(73) Assignee: **Pioneer DJ Corporation,**
Yokohama-shi (JP)

(**) Term: **15 Years**

(21) Appl. No.: **29/684,447**

(22) Filed: **Mar. 21, 2019**

(30) **Foreign Application Priority Data**

Dec. 6, 2018 (JP) 2018-026611

(51) **LOC (12) Cl.** **17-99**

(52) **U.S. Cl.**
USPC **D17/99; D14/217**

(58) **Field of Classification Search**
USPC D17/24, 99; D14/158, 217, 238.1
CPC .. G10H 1/0008; G10H 1/0033; G10H 1/0083;
G10H 1/02; G10H 2210/005; G10H
2210/031; G10H 2210/161; G10H
2210/571

See application file for complete search history.

(56) **References Cited**

U.S. PATENT DOCUMENTS

D291,195 S * 8/1987 Shea D14/158
D443,606 S * 6/2001 Ito D14/217

D444,460 S * 7/2001 Kitazawa D14/217
D823,377 S * 7/2018 Kitamura D17/99
D827,611 S * 9/2018 Kuramoto D14/217
D843,988 S * 3/2019 Belingheri D14/238.1
D863,257 S * 10/2019 Garncarz D14/217
D872,057 S * 1/2020 Koh D14/217

* cited by examiner

Primary Examiner — R. Johnson

(74) *Attorney, Agent, or Firm* — Rankin, Hill & Clark
LLP

(57) **CLAIM**

The ornamental design for a music sequencer, as shown and described.

DESCRIPTION

FIG. 1 is a top, right, front perspective view of a music sequencer showing our design.

FIG. 2 is a bottom, left, rear perspective view thereof.

FIG. 3 is a front view thereof.

FIG. 4 is a rear view thereof.

FIG. 5 is a left-side view thereof.

FIG. 6 is a right-side view thereof.

FIG. 7 is a top view thereof; and,

FIG. 8 is a bottom view thereof.

1 Claim, 8 Drawing Sheets

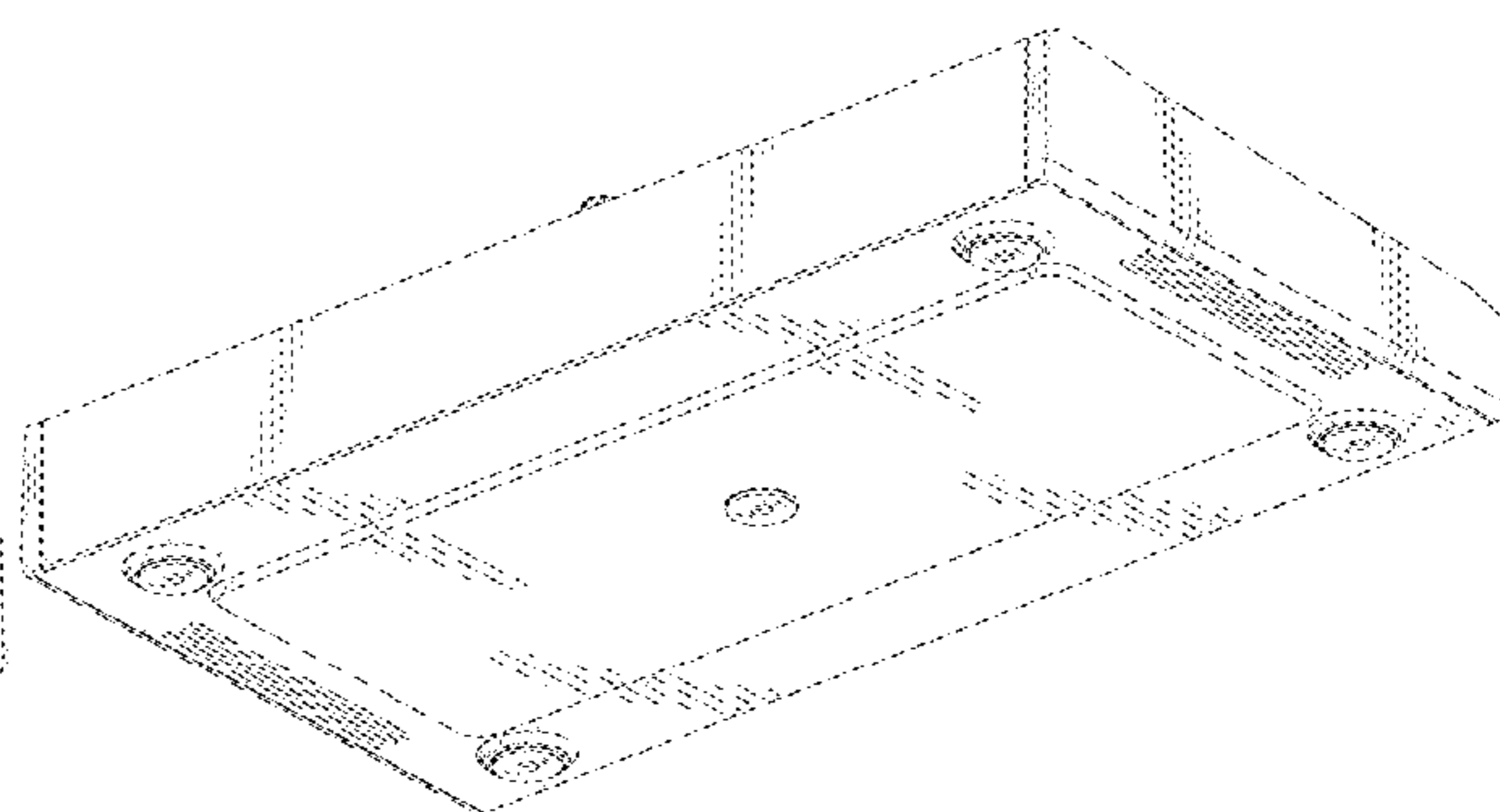
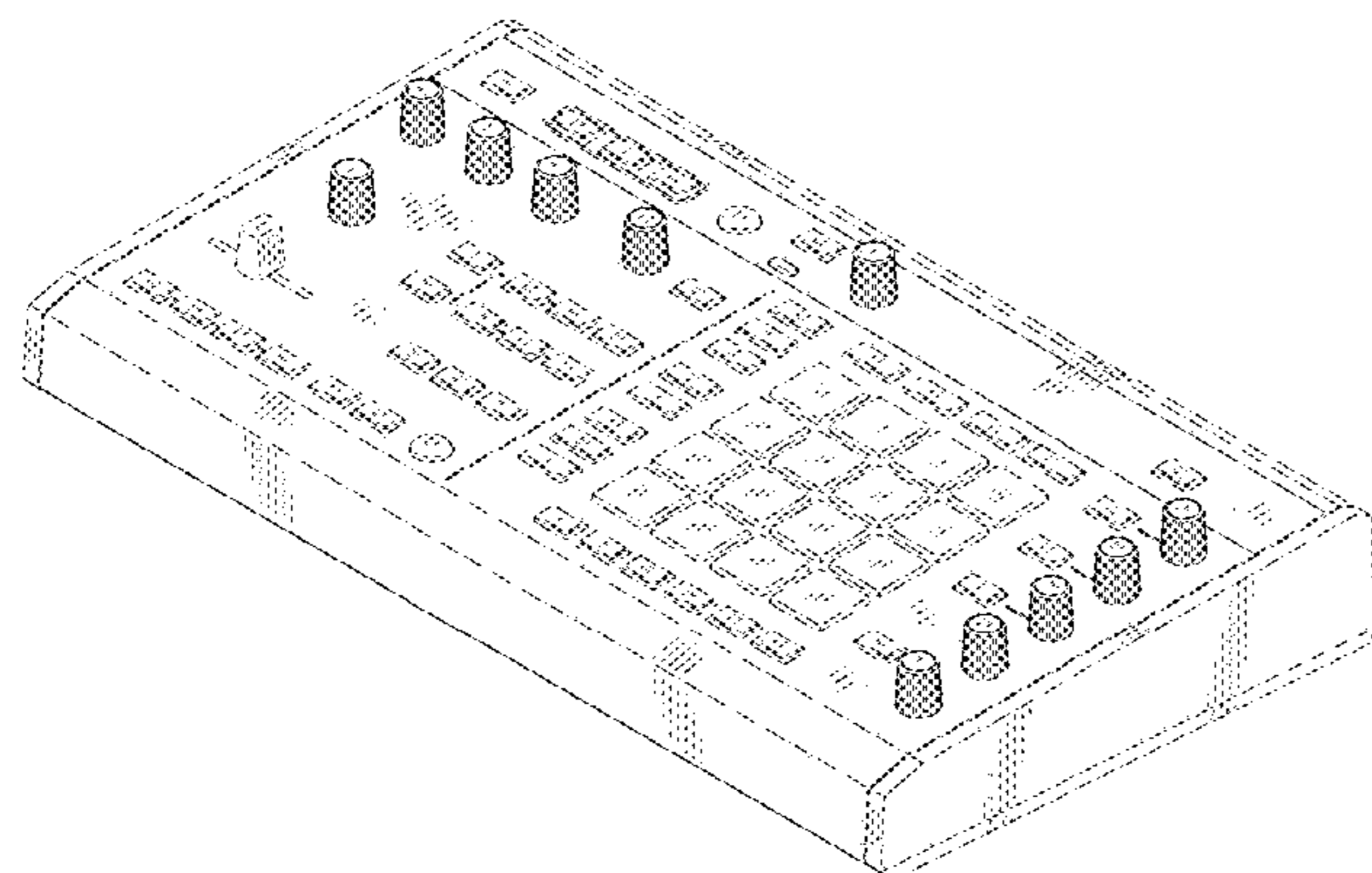


FIG. 1

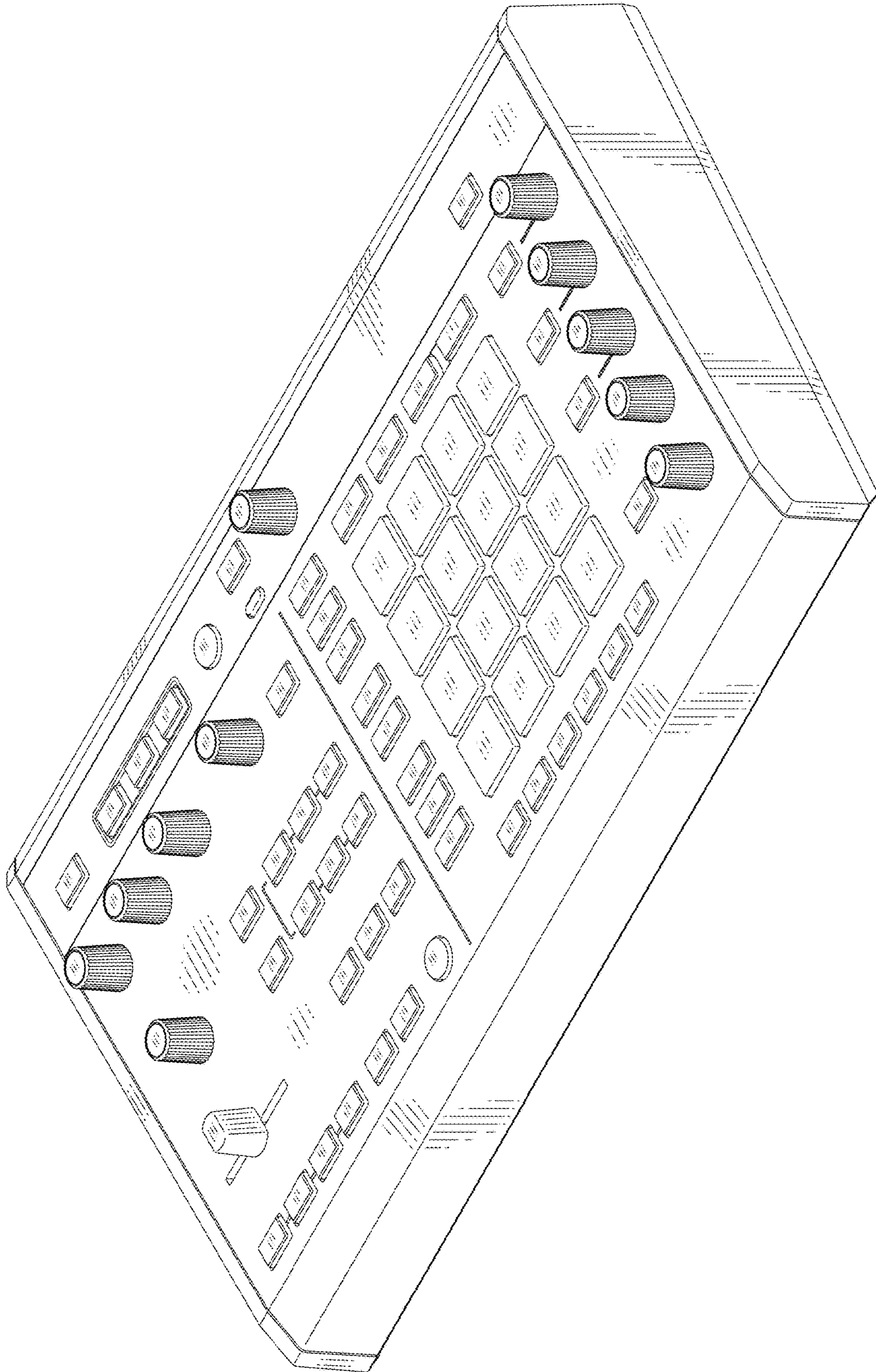


FIG. 2

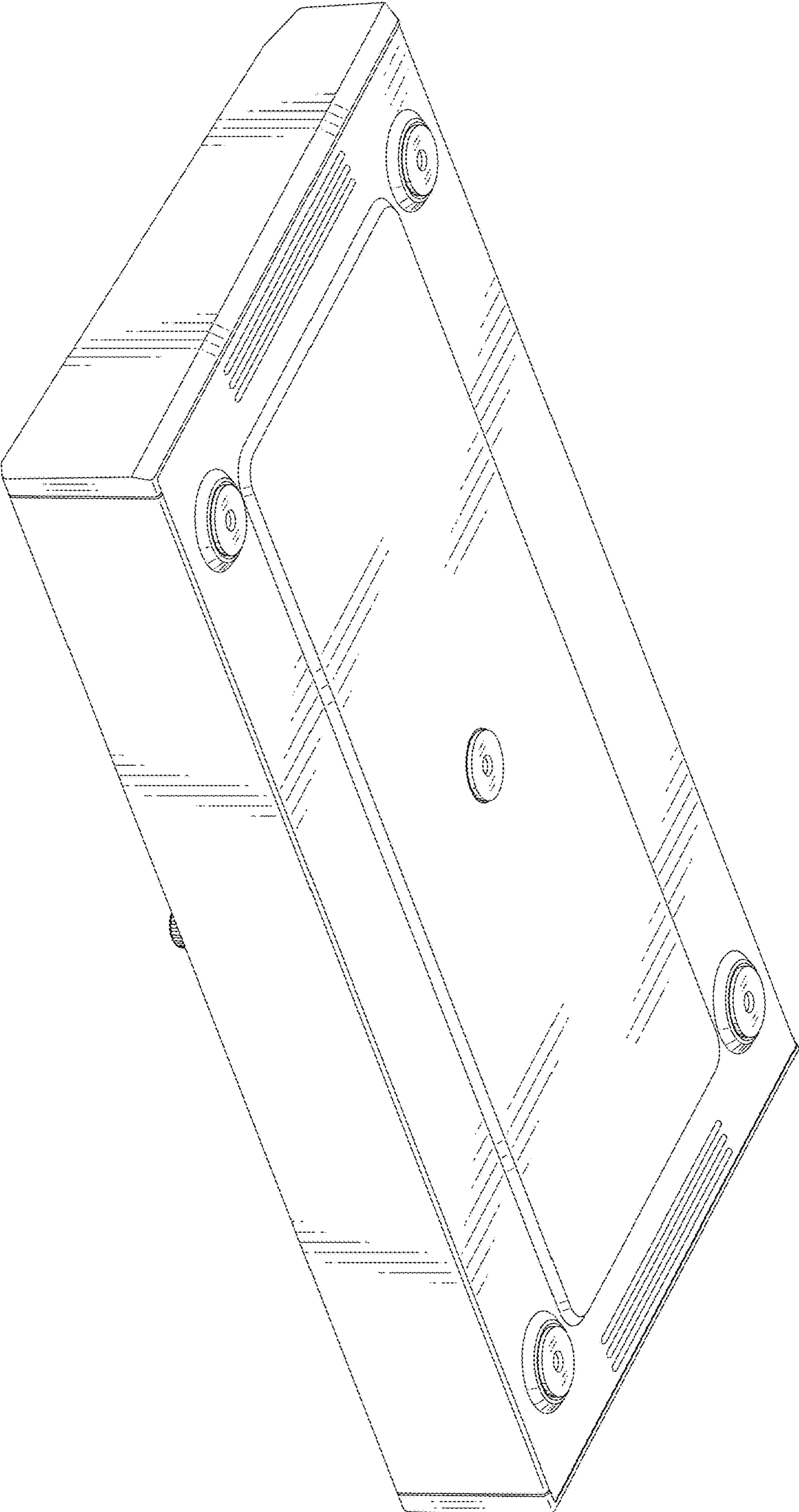


FIG. 3

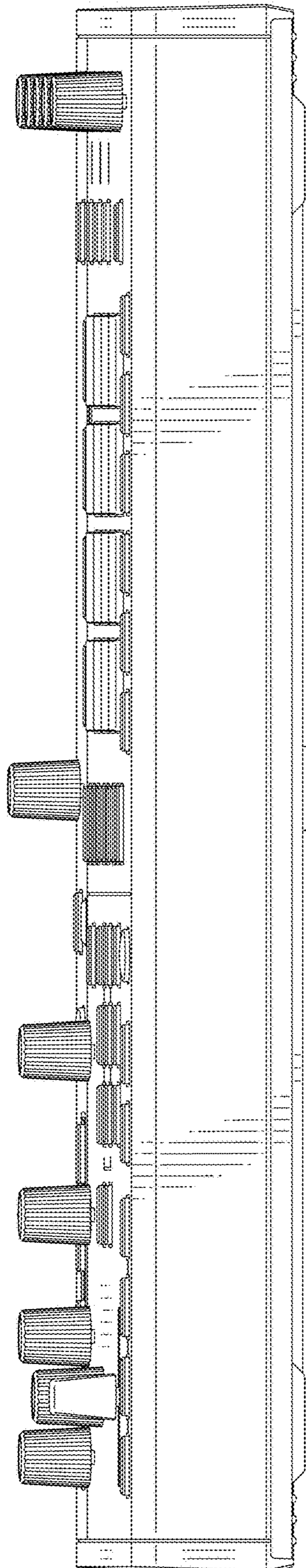


FIG. 4

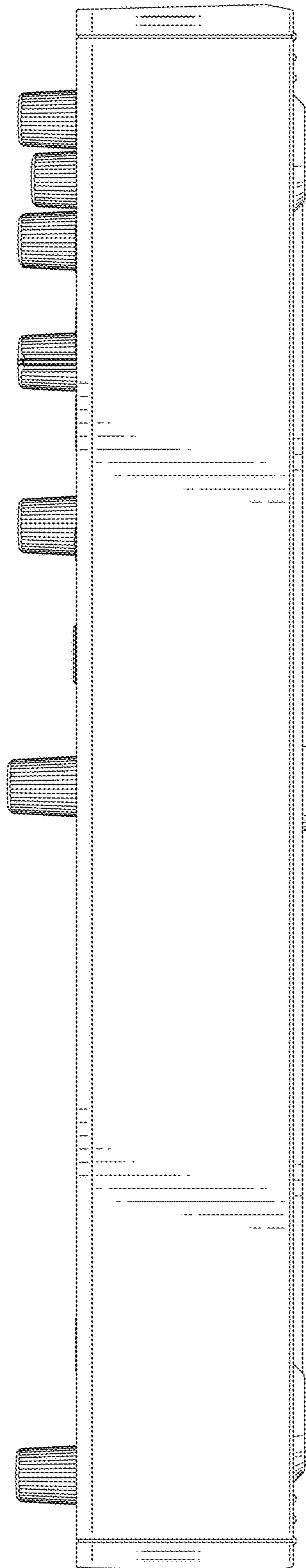


FIG. 5

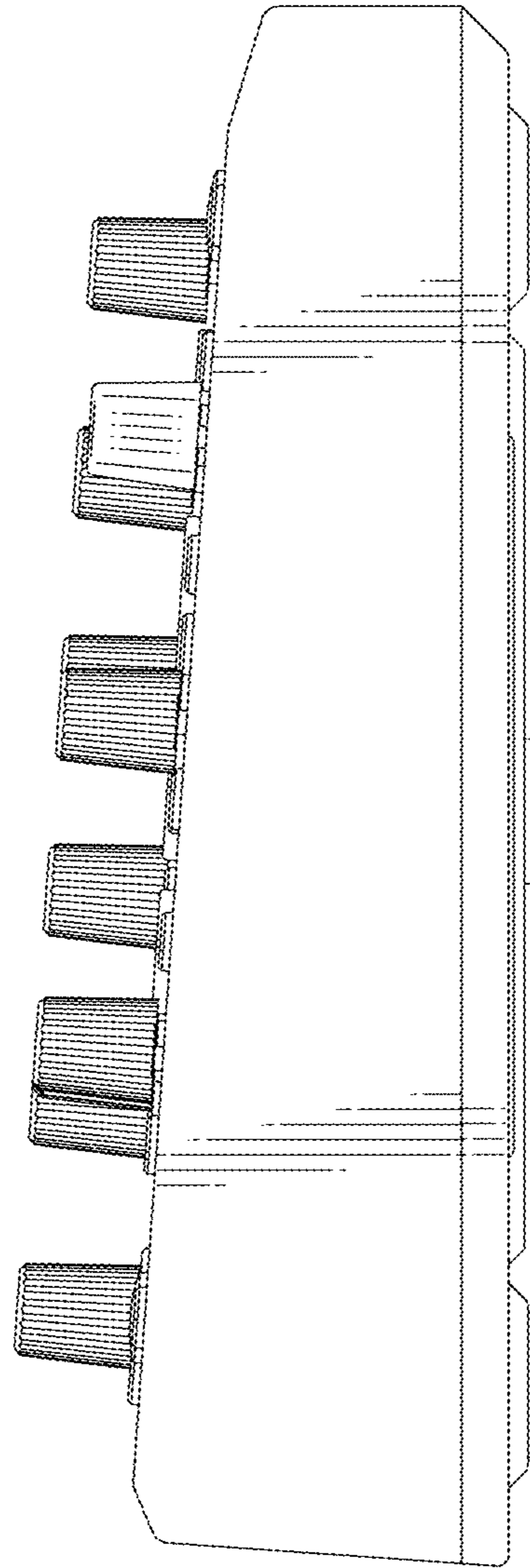


FIG. 6

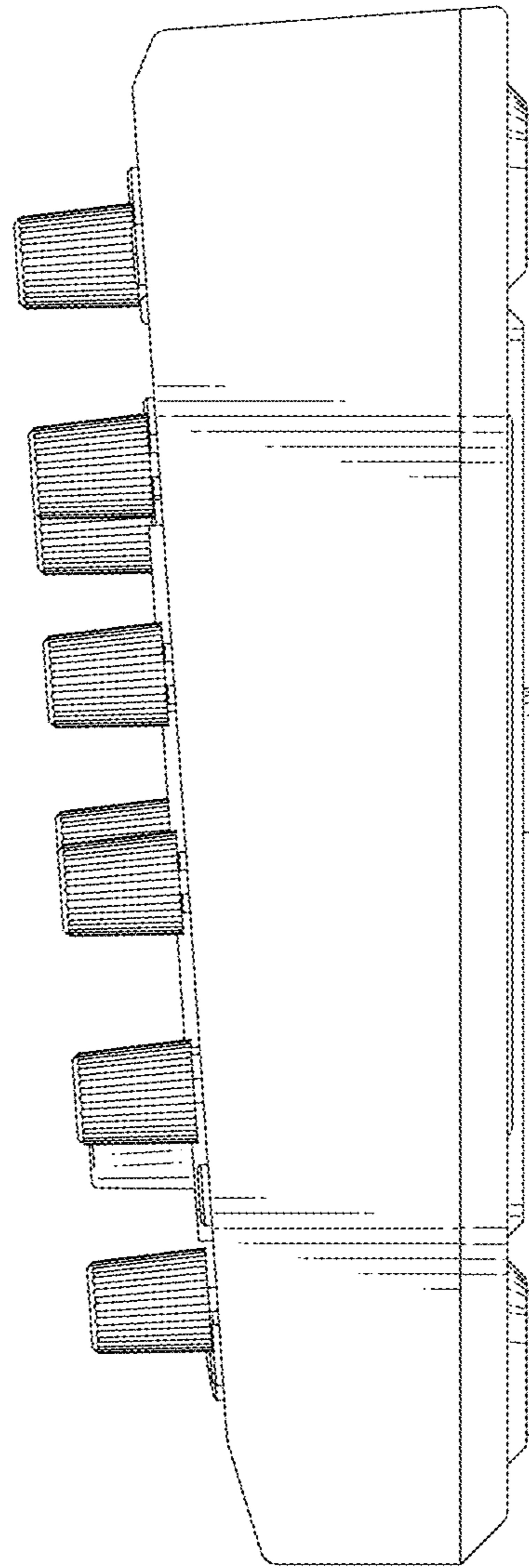


FIG. 7

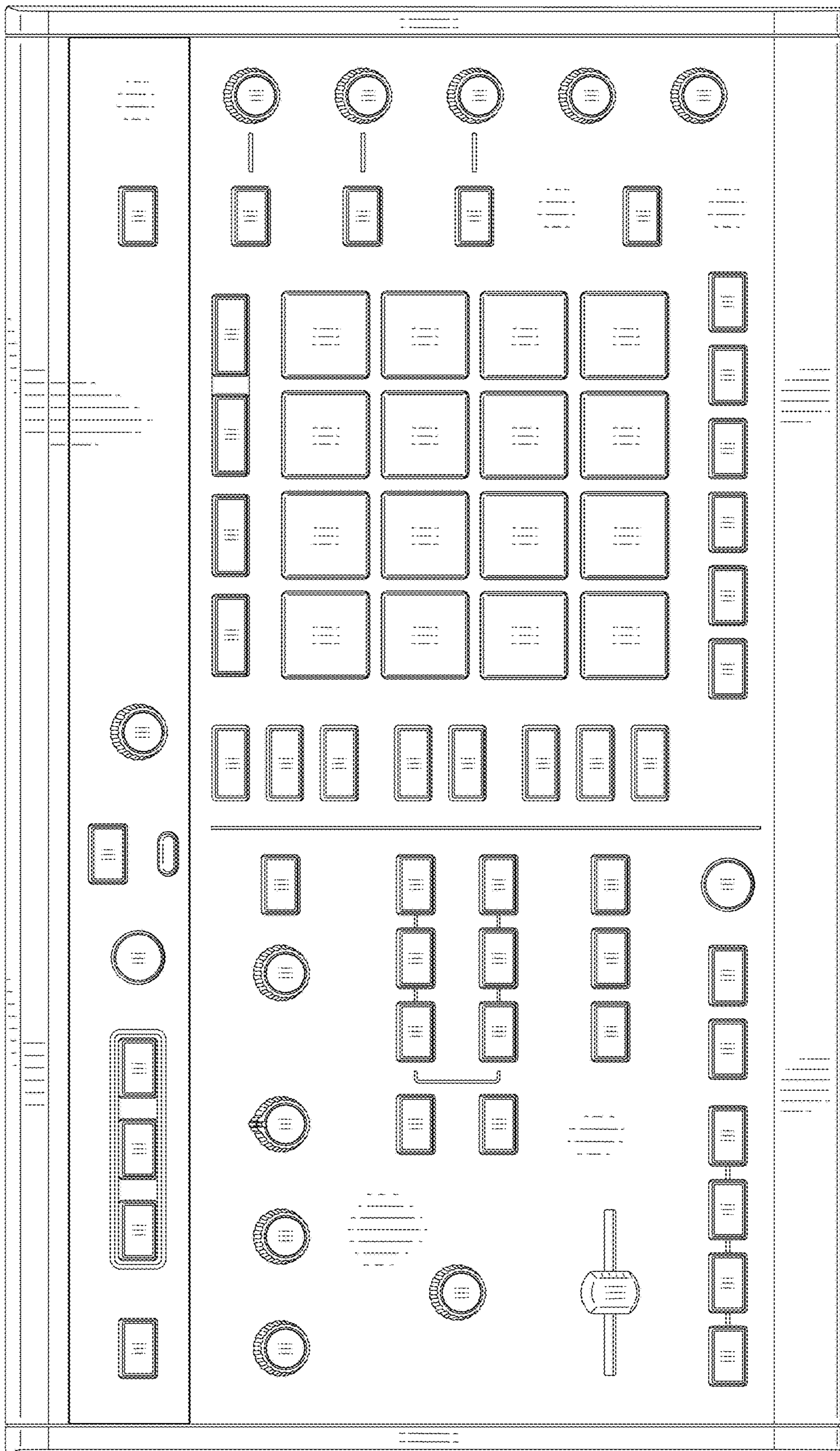


FIG. 8

