



US00D881267S

(12) **United States Design Patent**
Stringham

(10) **Patent No.:** **US D881,267 S**

(45) **Date of Patent:** **** Apr. 14, 2020**

(54) **HOOK FOR STRAP FOR MUSICAL INSTRUMENT**

(71) Applicant: **D'Addario & Company, Inc.**,
Farmingdale, NY (US)

(72) Inventor: **Zachary Stringham**, New York, NY
(US)

(73) Assignee: **D'Addario & Company, Inc.**,
Farmingdale, NY (US)

(**) Term: **15 Years**

(21) Appl. No.: **29/677,519**

(22) Filed: **Jan. 22, 2019**

(51) **LOC (12) Cl.** **17-99**

(52) **U.S. Cl.**
USPC **D17/99**

(58) **Field of Classification Search**
USPC D17/14, 18, 19, 20, 21, 99; D21/405;
D3/327
CPC .. G10D 1/08; G10D 1/10; G10D 3/00; G10D
3/04; G10D 3/16; G10D 3/163; G10D
3/18; G10G 5/005; G10H 1/348; G09B
15/00

See application file for complete search history.

(56) **References Cited**

U.S. PATENT DOCUMENTS

- 4,188,851 A * 2/1980 Wolf G10G 5/005
224/910
- 4,993,127 A * 2/1991 Mechem A45C 13/30
224/257
- 5,257,441 A * 11/1993 Barlow F16B 45/02
24/599.5

- 5,735,025 A * 4/1998 Bailey F16B 45/02
24/600.1
- D449,975 S * 11/2001 Smith D8/356
- 7,818,851 B2 * 10/2010 Perrotta A45F 3/14
24/265 BC
- D790,623 S * 6/2017 Wang D17/2
- D852,649 S * 7/2019 Burns D10/46
- 2005/0284282 A1 * 12/2005 D'Addario G10G 5/005
84/327
- 2018/0187713 A1 * 7/2018 Chmelar F16B 2/10

FOREIGN PATENT DOCUMENTS

GB 2182092 A * 5/1987 A45C 13/30

* cited by examiner

Primary Examiner — R. Johnson

(74) *Attorney, Agent, or Firm* — Alix, Yale & Ristas,
LLP

(57) **CLAIM**

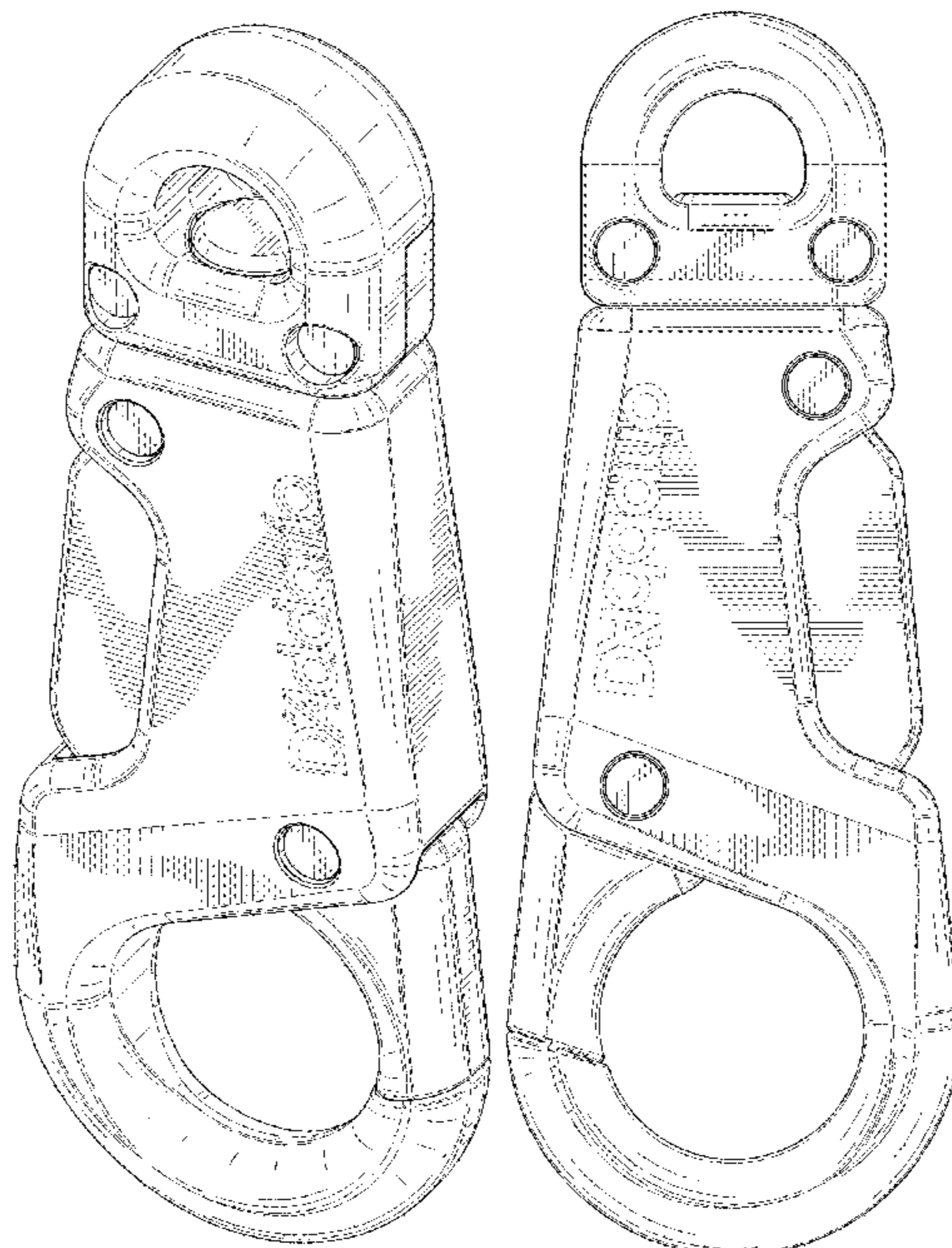
The ornamental design for the hook for strap for musical instrument, as shown and described.

DESCRIPTION

FIG. 1 is a front perspective view of a hook for strap for musical instrument showing my new design; FIG. 2 is a first side elevation view thereof; FIG. 3 is a second side elevation view thereof; showing the opposite side relative to FIG. 2; FIG. 4 is a rear elevation view thereof; FIG. 5 is a front elevation view thereof; FIG. 6 is a bottom plan view thereof; and, FIG. 7 is a top plan view thereof.

The broken lines in FIGS. 1-7 represent the portions of the hook for strap for musical instrument which form no part of the claimed design.

1 Claim, 6 Drawing Sheets



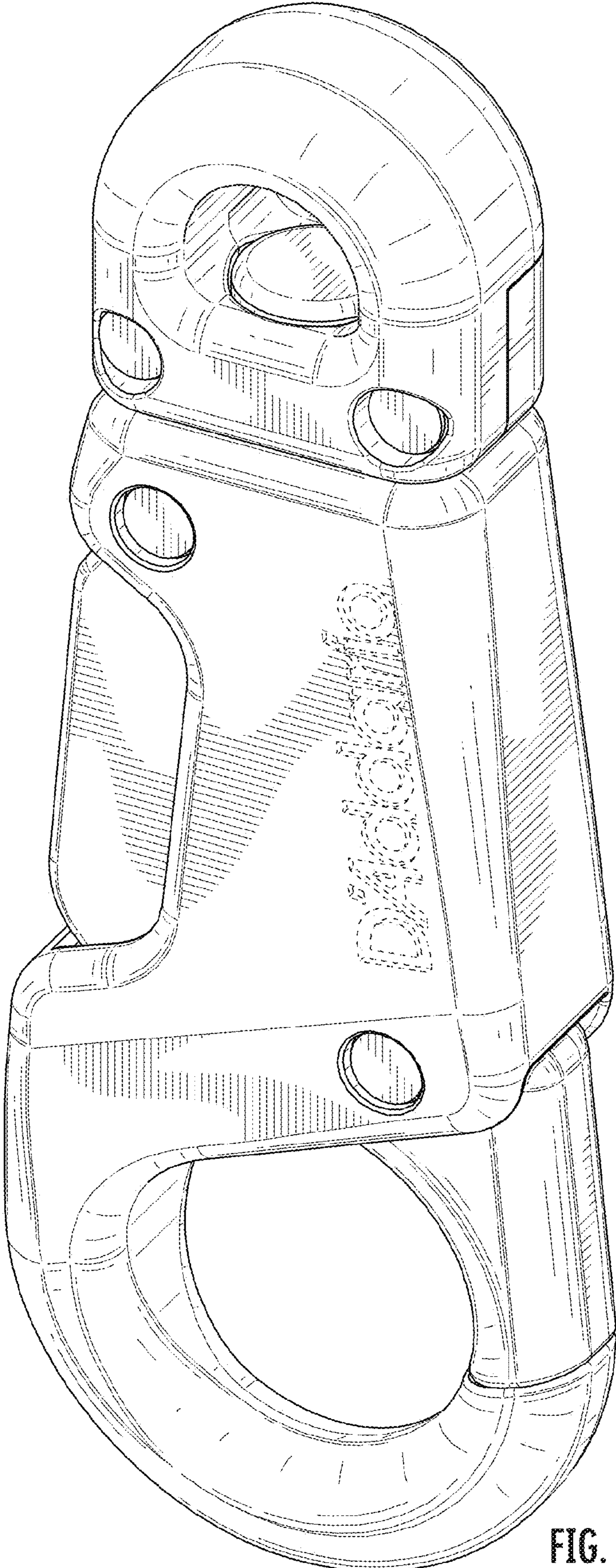


FIG. 1

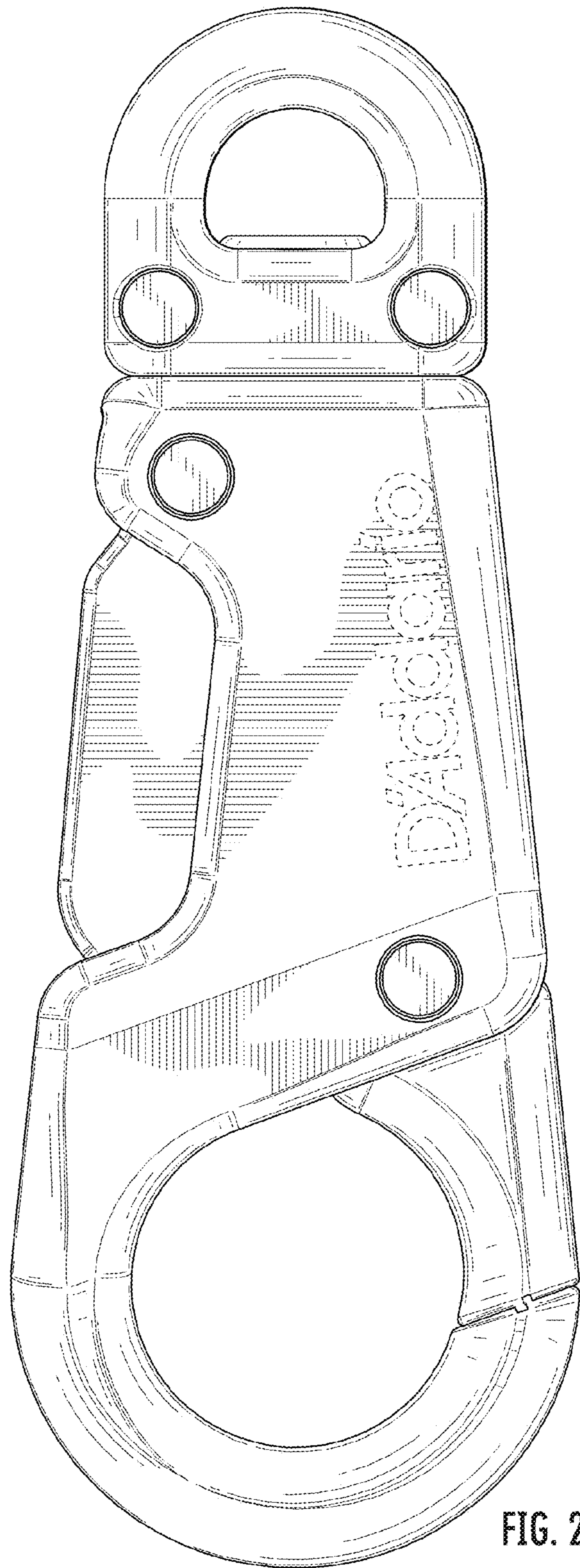


FIG. 2

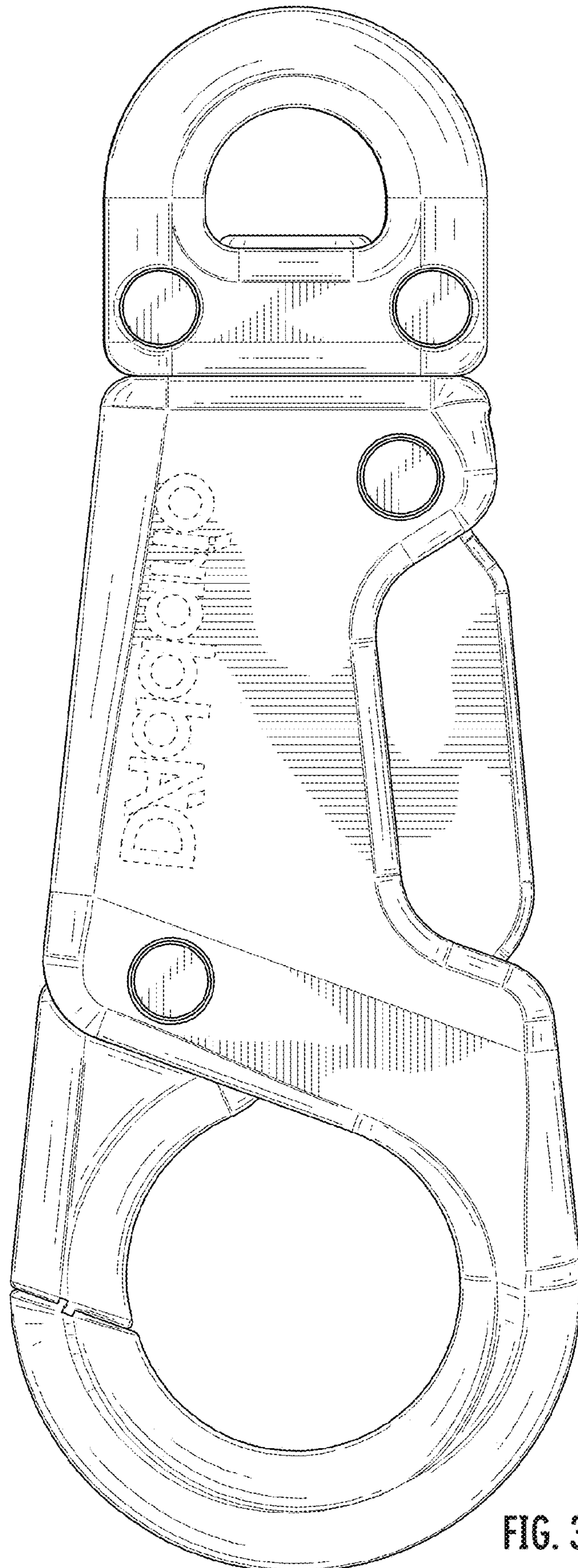


FIG. 3

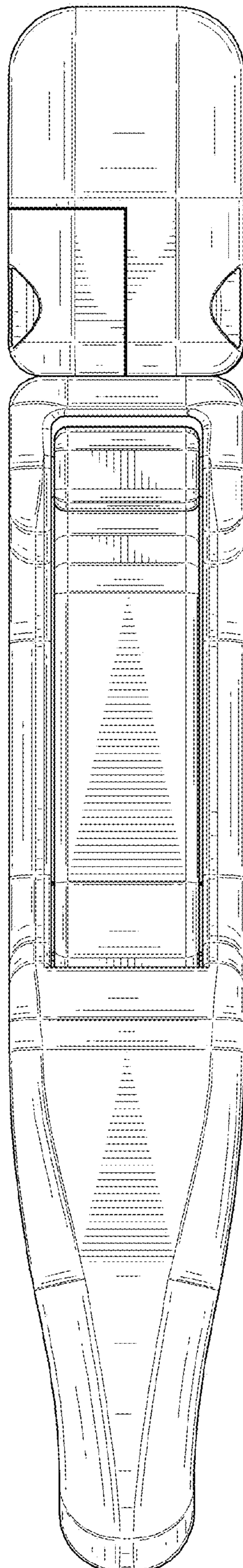


FIG. 4

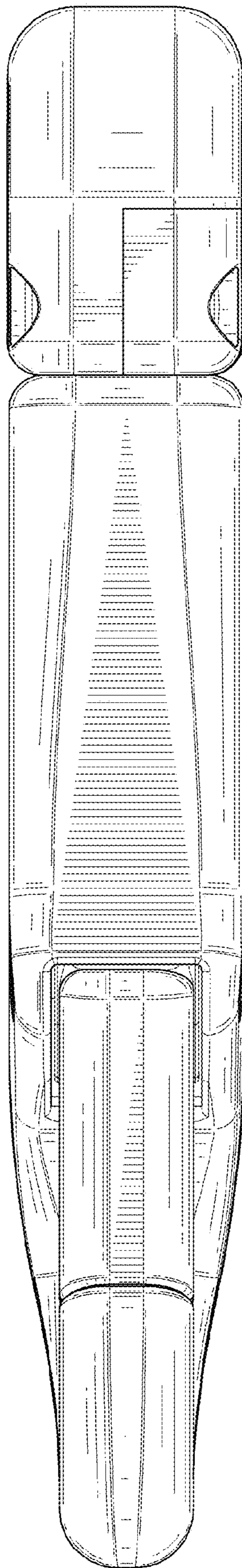


FIG. 5

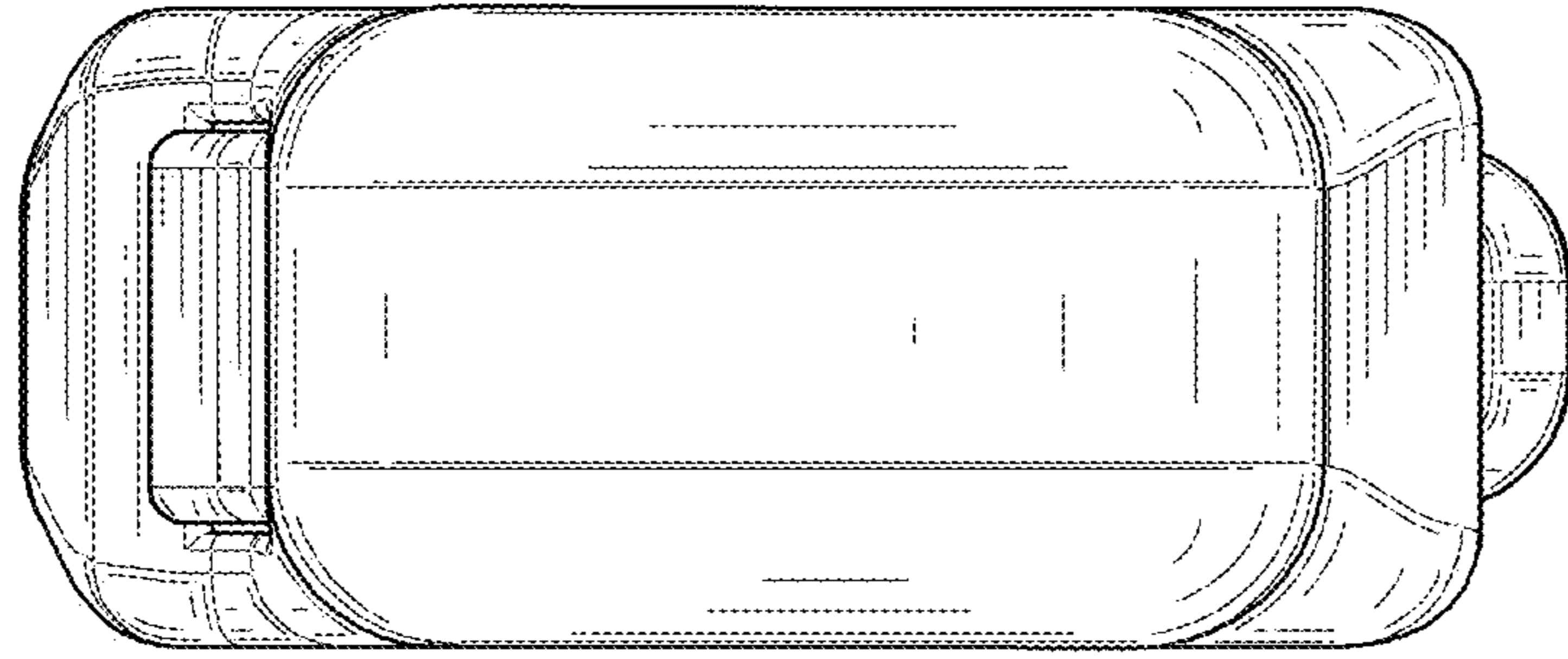


FIG. 6

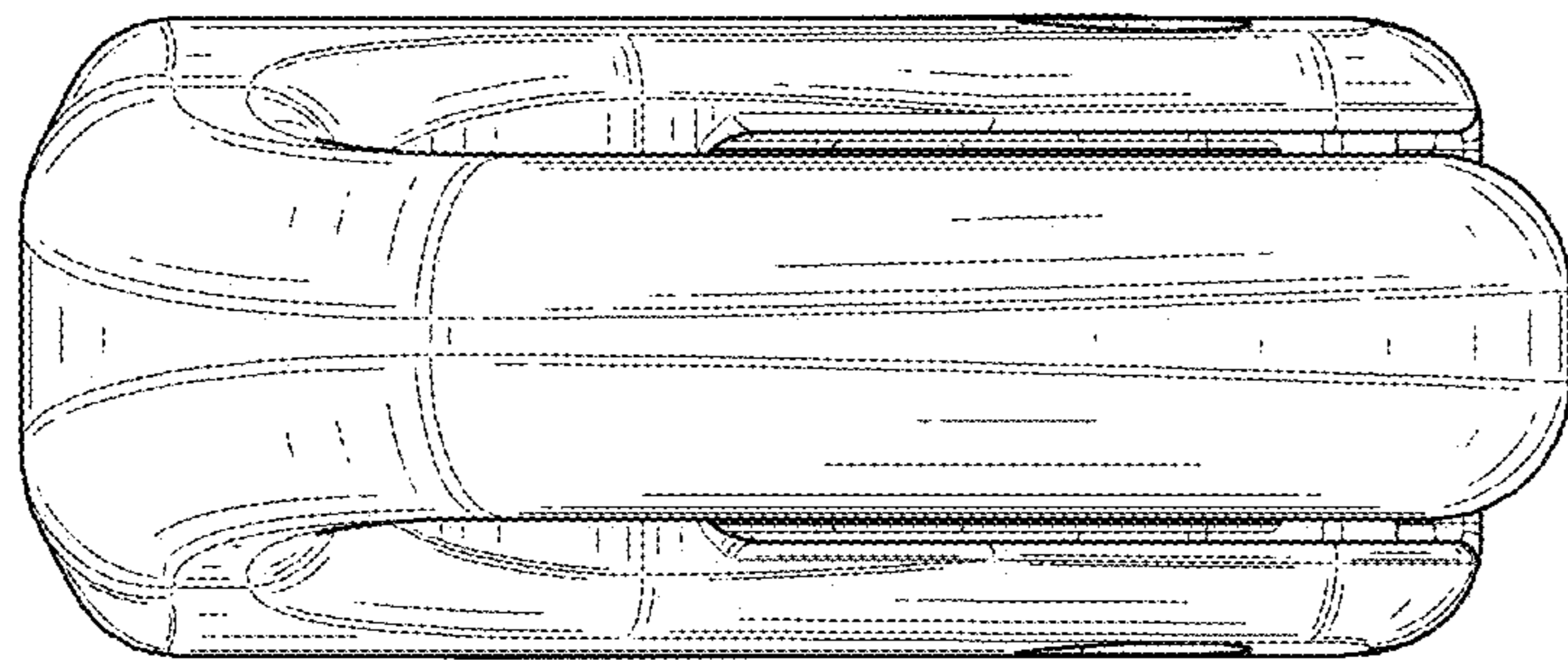


FIG. 7