



US00D881266S

(12) **United States Design Patent**
Bir

(10) **Patent No.:** **US D881,266 S**

(45) **Date of Patent:** **** Apr. 14, 2020**

(54) **TAMBOURINE**
(71) Applicant: **Param Bir**, Hayward, CA (US)
(72) Inventor: **Param Bir**, Hayward, CA (US)
(**) Term: **15 Years**
(21) Appl. No.: **29/669,958**

7,045,697 B2 * 5/2006 Covello G10D 13/06
84/418
D543,579 S * 5/2007 Taninbaum D17/22
D573,174 S * 7/2008 Chen D17/22
7,714,219 B2 5/2010 Taninbaum
8,962,963 B1 2/2015 Chen
2006/0075877 A1 * 4/2006 Covello G10D 13/06
84/418
2009/0308224 A1 * 12/2009 Ledger G10D 13/06
84/402

(22) Filed: **Nov. 13, 2018**
(51) **LOC (12) Cl.** **17-04**
(52) **U.S. Cl.**
USPC **D17/22**
(58) **Field of Classification Search**
USPC D17/22, 24, 99; D21/405, 406
CPC G10D 13/00; G10D 13/003; G10D 13/02;
G10D 13/06; G10D 17/00; G10G 7/00;
G10H 3/146; G10H 3/24
See application file for complete search history.

FOREIGN PATENT DOCUMENTS

JP 2010266529 A * 11/2010
WO WO-8701497 A1 * 3/1987 G10D 13/06

* cited by examiner

Primary Examiner — R. Johnson

(57) **CLAIM**

I claim the ornamental design for a tambourine, as shown and described.

(56) **References Cited**

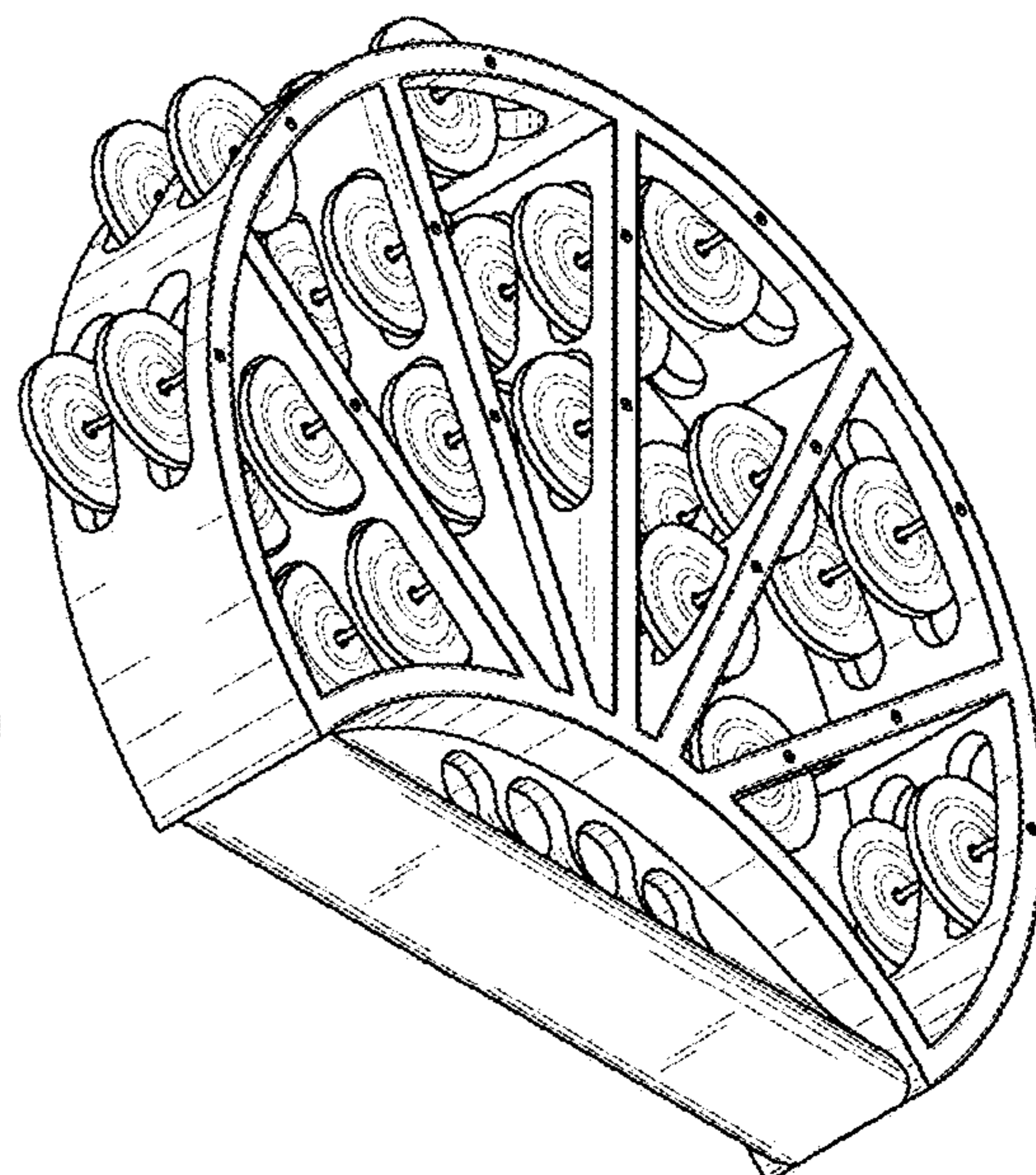
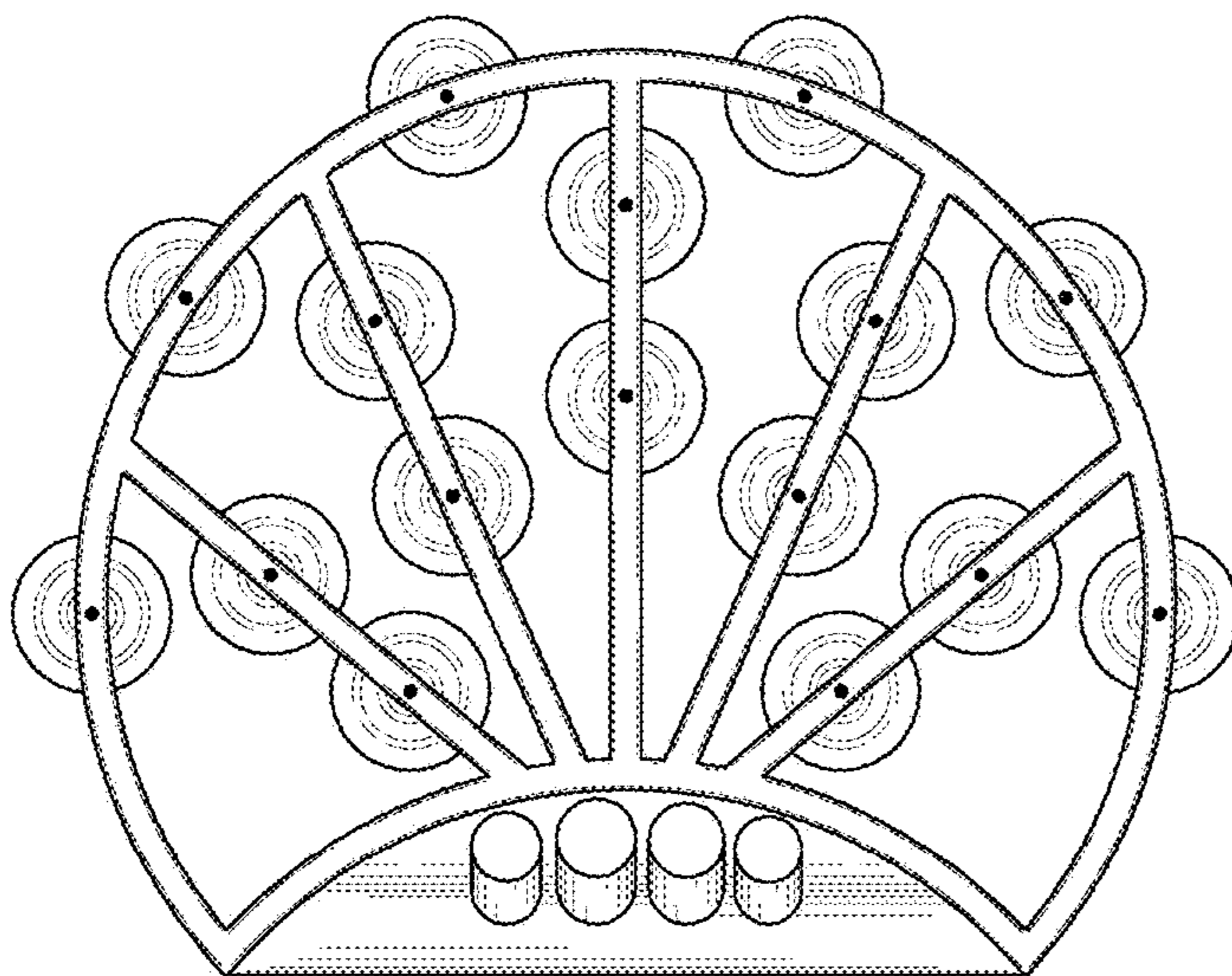
U.S. PATENT DOCUMENTS

3,481,239 A 12/1969 Blumenfeld
4,244,267 A 1/1981 Nemeth
D259,047 S * 4/1981 Taninbaum D17/22
D268,419 S * 3/1983 Taninbaum D17/22
D306,608 S 3/1990 Wang
D336,488 S 6/1993 Grey
D346,178 S * 4/1994 Shalev D17/22
6,127,614 A 10/2000 Lombardi
D446,238 S 8/2001 Grey
6,620,991 B1 9/2003 Honiball

DESCRIPTION

FIG. 1 is a front view of a tambourine showing my new design;
FIG. 2 is a rear view thereof;
FIG. 3 is a left side view thereof;
FIG. 4 is a right side view thereof;
FIG. 5 is a top view thereof;
FIG. 6 is a bottom view thereof; and,
FIG. 7 is a perspective view thereof.

1 Claim, 5 Drawing Sheets



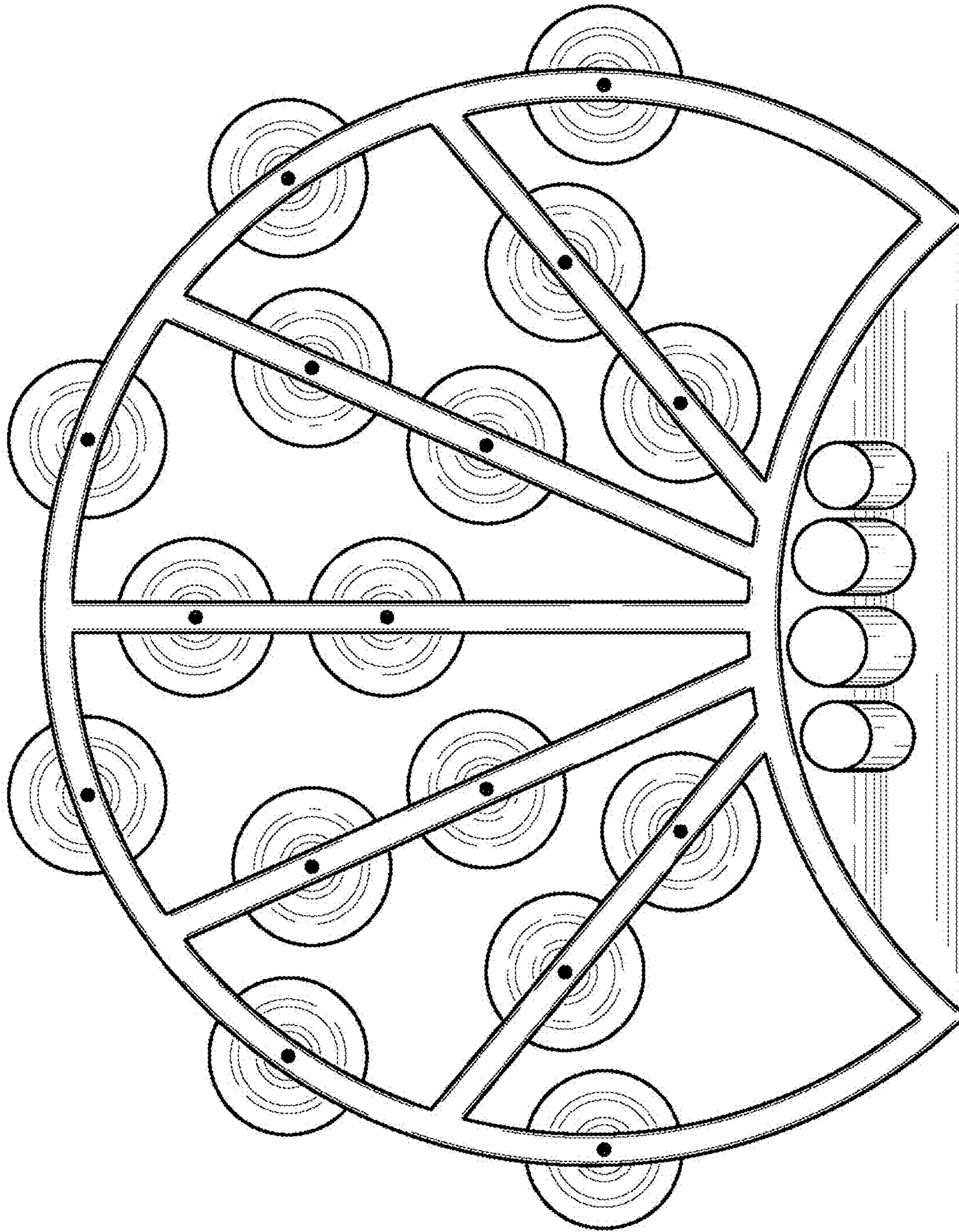


FIG. 1

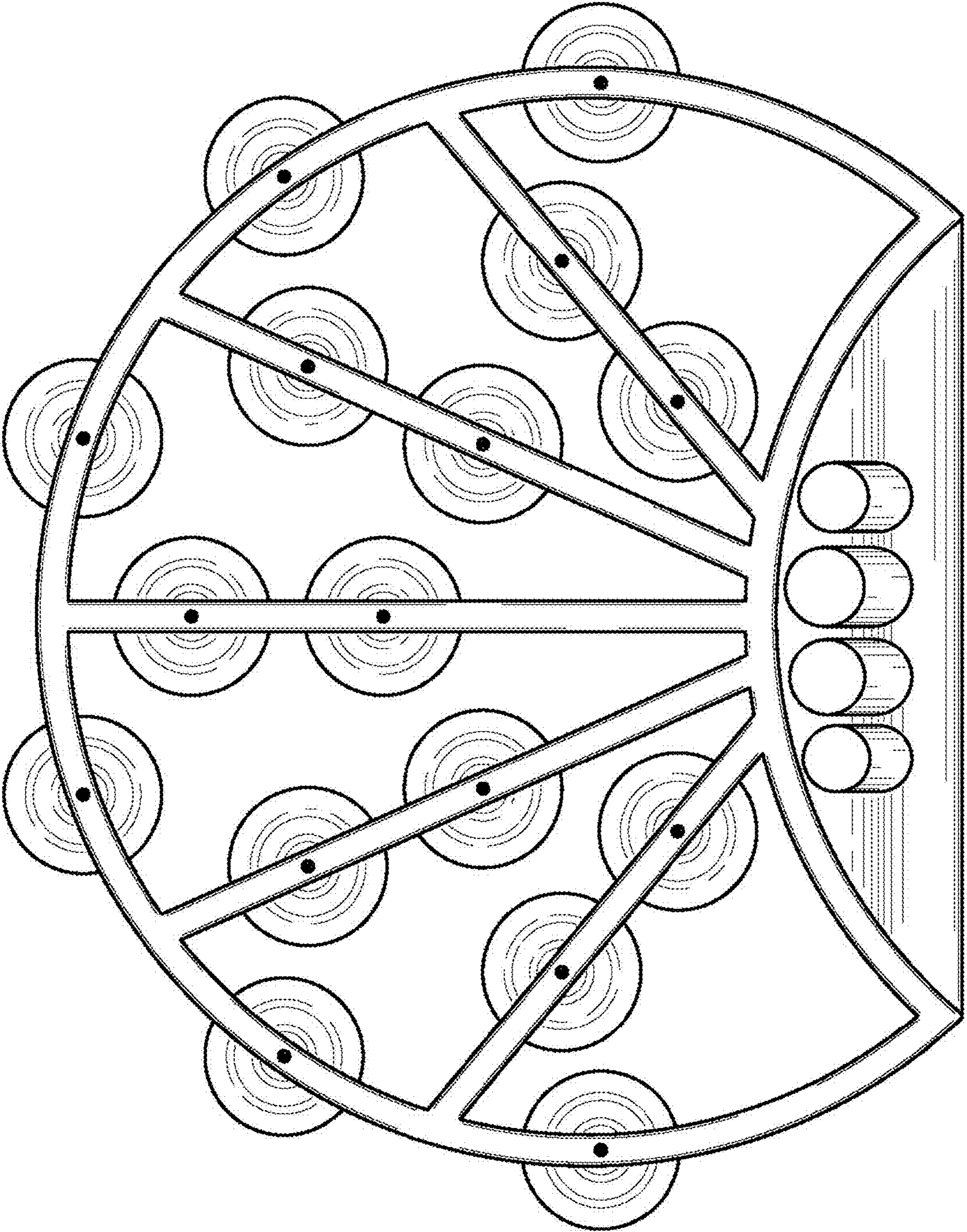


FIG. 2

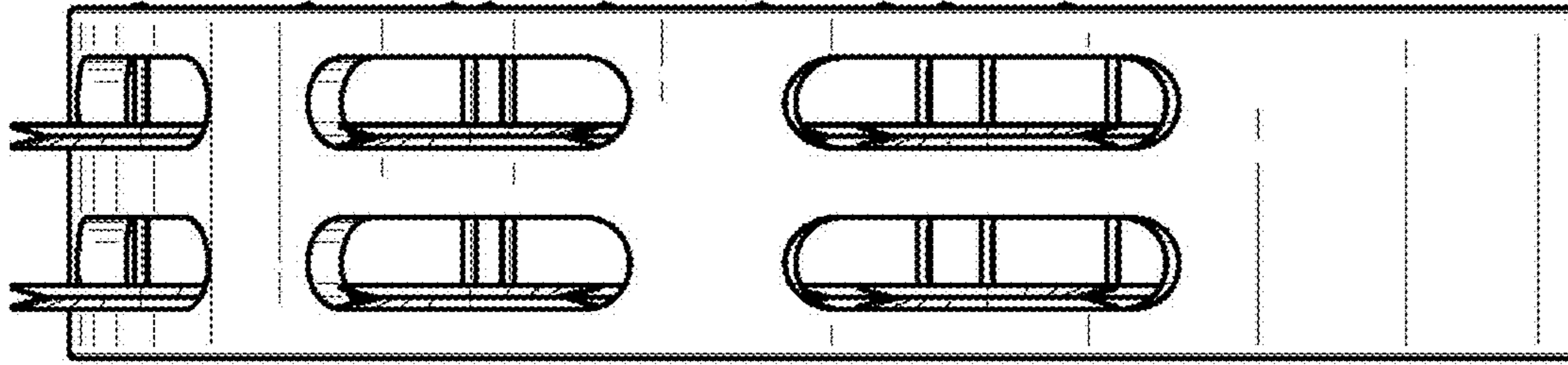


FIG. 4

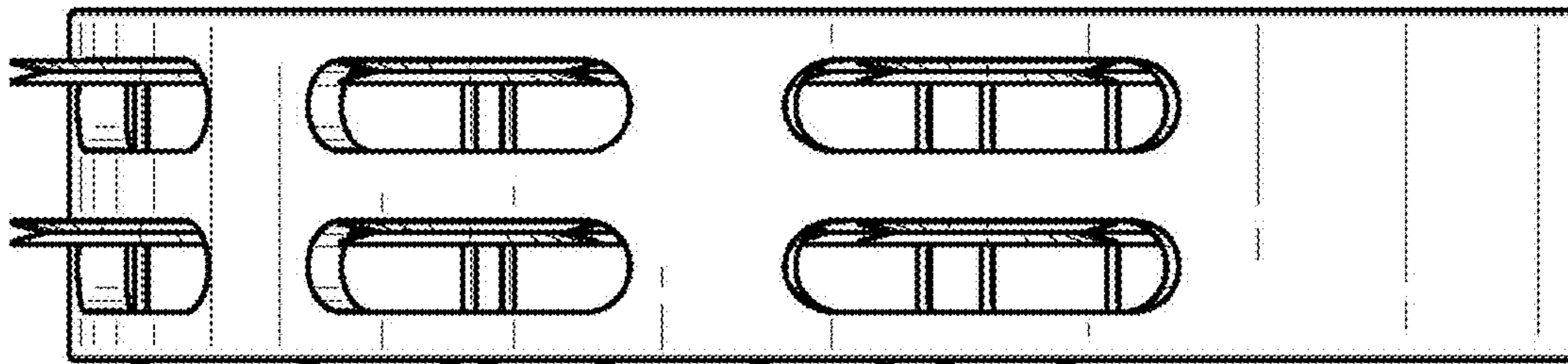


FIG. 3

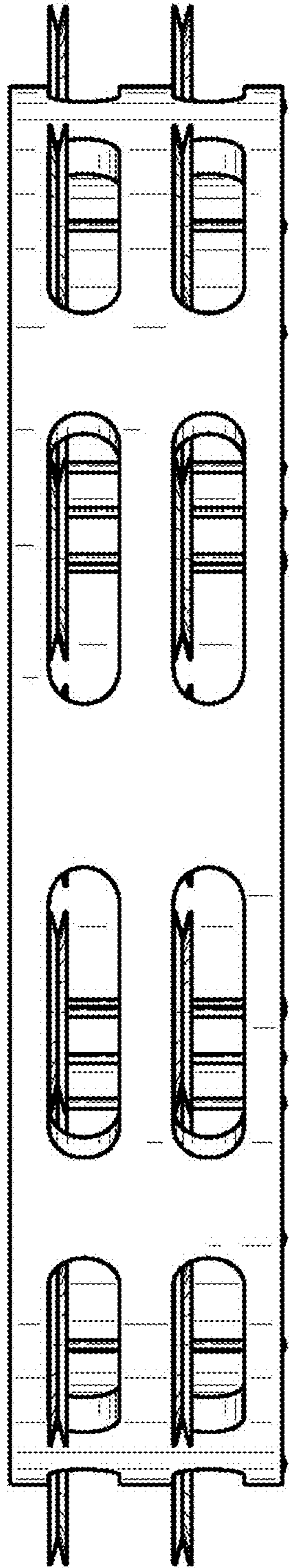


FIG. 5

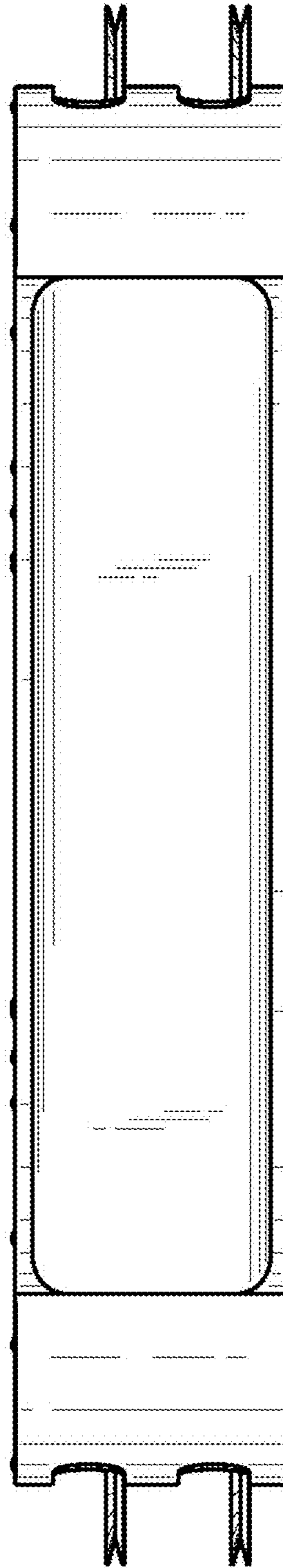


FIG. 6

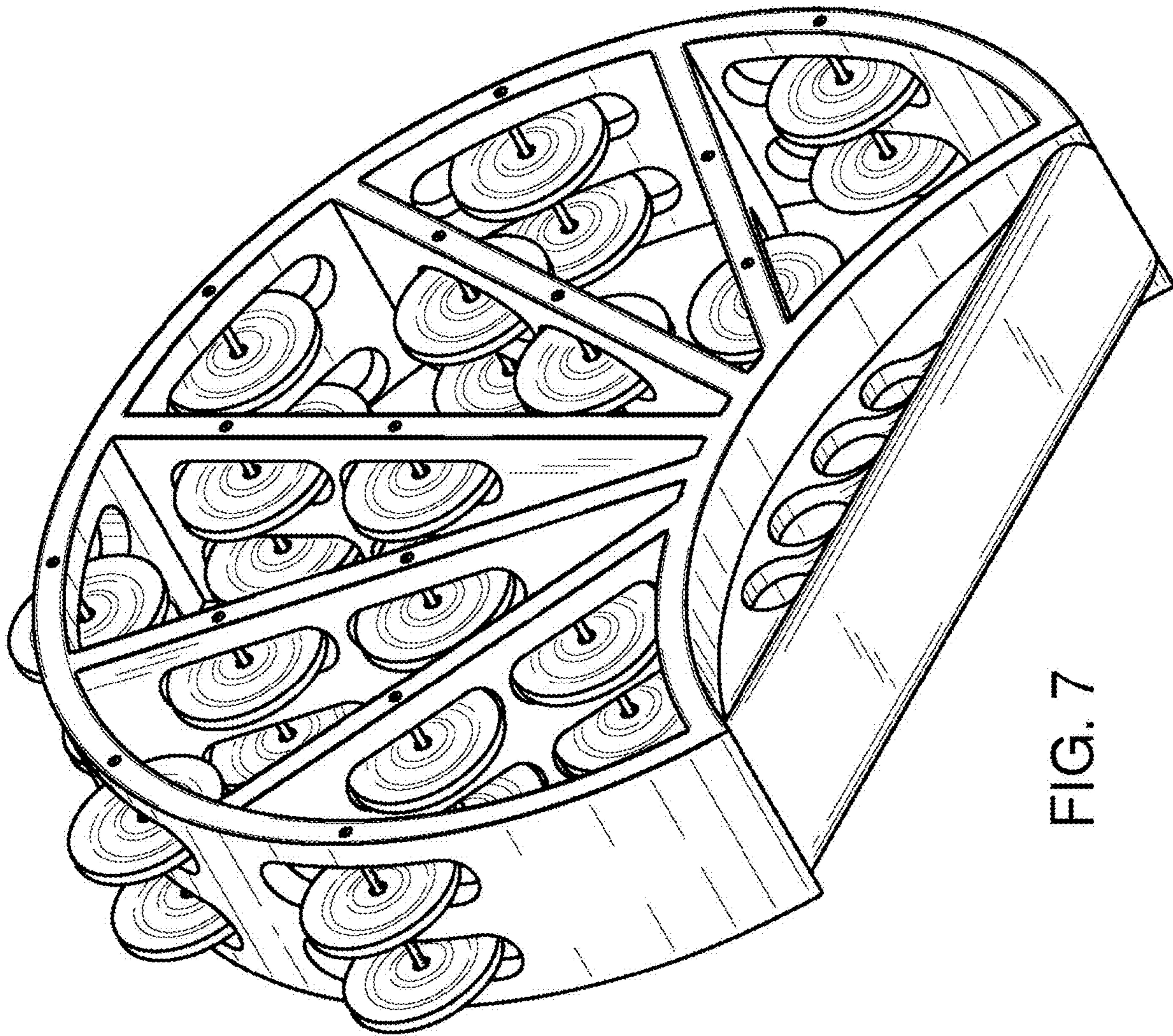


FIG. 7