



US00D881263S

(12) **United States Design Patent** (10) **Patent No.:** **US D881,263 S**
Xia (45) **Date of Patent:** **** Apr. 14, 2020**

(54) **MULTI-FUNCTIONAL BRACKET**

(71) Applicant: **DONGGUAN OSM DIGITAL CO., LTD**, Dongguan (CN)

(72) Inventor: **Meihua Xia**, Shenzhen (CN)

(73) Assignee: **DONGGUAN OSM DIGITAL CO., LTD**, Dongguan (CN)

(**) Term: **15 Years**

(21) Appl. No.: **29/714,763**

(22) Filed: **Nov. 26, 2019**

(30) **Foreign Application Priority Data**

Oct. 29, 2019 (CN) 2019 3 0589500

(51) **LOC (12) Cl.** **16-05**

(52) **U.S. Cl.**
USPC **D16/245**

(58) **Field of Classification Search**
USPC D16/219, 237-250; D8/354, 355, 363, D8/373, 382-383, 394-396; D14/224, D14/229, 238, 251, 253, 356, 447, 451, D14/457
CPC A45F 5/00; A45F 5/10; A45F 2200/0508-0533; F16M 11/06-10; F16M 11/14; G02B 7/00-002; G03B 17/56; G03B 17/561-566; H04N 5/2253-2254
See application file for complete search history.

(56) **References Cited**

U.S. PATENT DOCUMENTS

D765,649 S * 9/2016 Huang D14/253
D765,650 S * 9/2016 Huang D14/253
D767,011 S * 9/2016 Huang D16/243

(Continued)

OTHER PUBLICATIONS

“Tencro 6" Ring Light Webcam Stand Phone Holder with 17-52cm Tripod, LED Lamp Live Stream Camera Light [3-Mode, 10-Level] Mount Stand for Cellphones, Logitech Webcam C922 C930e C930 C920 C615, Camera”, Retrieved Nov. 26, 2019 Retrieved from Internet, <https://www.amazon.co.uk/Tencro-17-52cm-10-Level-Cellphones-Logitech/dp/B07TXCL11S/>.

(Continued)

Primary Examiner — Vy N Koenig

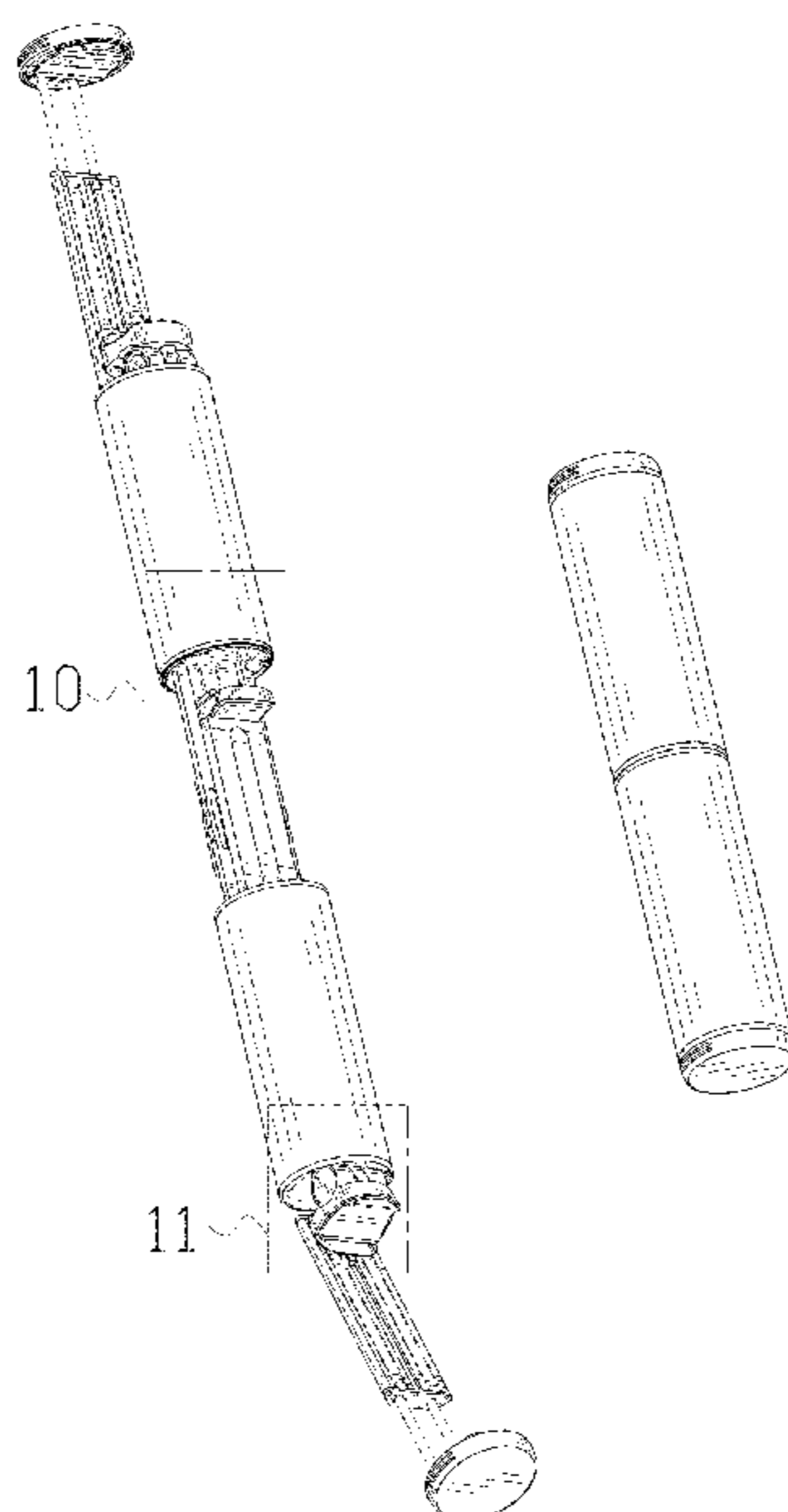
(57) **CLAIM**

The ornamental design for a multi-functional bracket, as shown and described.

DESCRIPTION

FIG. 1 is a perspective view of a multi-functional bracket showing my new design;
FIG. 2 is another perspective thereof;
FIG. 3 is a front elevational view thereof;
FIG. 4 is a rear elevational view thereof;
FIG. 5 is a left side elevational view thereof;
FIG. 6 is a right side elevational view thereof;
FIG. 7 is a bottom plan view thereof;
FIG. 8 is a top plan view thereof;
FIG. 9 is a perspective view of the multi-functional bracket where the multi-functional bracket is in a folded state;
FIG. 10 is an enlarged view of portion 10 shown in FIG. 1;
FIG. 11 is an enlarged view of portion 11 shown in FIG. 1;
FIG. 12 is an enlarged view of portion 12 shown in FIG. 2;
FIG. 13 is an enlarged view of portion 13 shown in FIG. 2; and,
FIG. 14 is an enlarged view of portion 14 shown in FIG. 7.
The broken lines in the drawings depict portions of the multi-functional bracket that form no part of the claimed design.

1 Claim, 14 Drawing Sheets



(56)

References Cited

U.S. PATENT DOCUMENTS

9,606,424 B2 * 3/2017 Fromm G03B 17/561
D785,074 S * 4/2017 Woodman D16/243
9,658,518 B2 * 5/2017 Nordhaug F16M 13/04
9,835,935 B1 * 12/2017 Wilgosz G03B 17/561
D812,675 S * 3/2018 Kim D16/237
D828,434 S * 9/2018 Kim D16/242
D829,265 S * 9/2018 Kiernan-Lewis D16/243
D841,724 S * 2/2019 Huang D16/243
D852,872 S * 7/2019 Fang D16/243
D852,873 S * 7/2019 Fang D16/243
D866,647 S * 11/2019 Kim D16/243
D871,492 S * 12/2019 Xiao D16/244

OTHER PUBLICATIONS

“Yeeyuan Multifunctional Selfie Stick Tripod Detachable/Double Phone Holder/Dimmable LED Ring Light with 3-Colors 360 Rotary/ for Live Streaming & YouTube Video Remote Self-Timer Smartphone (Style#2)”, Retrieved Nov. 26, 2019]. Retrieved from Internet, <https://www.amazon.co.uk/Yeeyuan-Multifunctional-Detachable-Self-Timer-Smartphone/dp/B081WWDC4S/>.

* cited by examiner

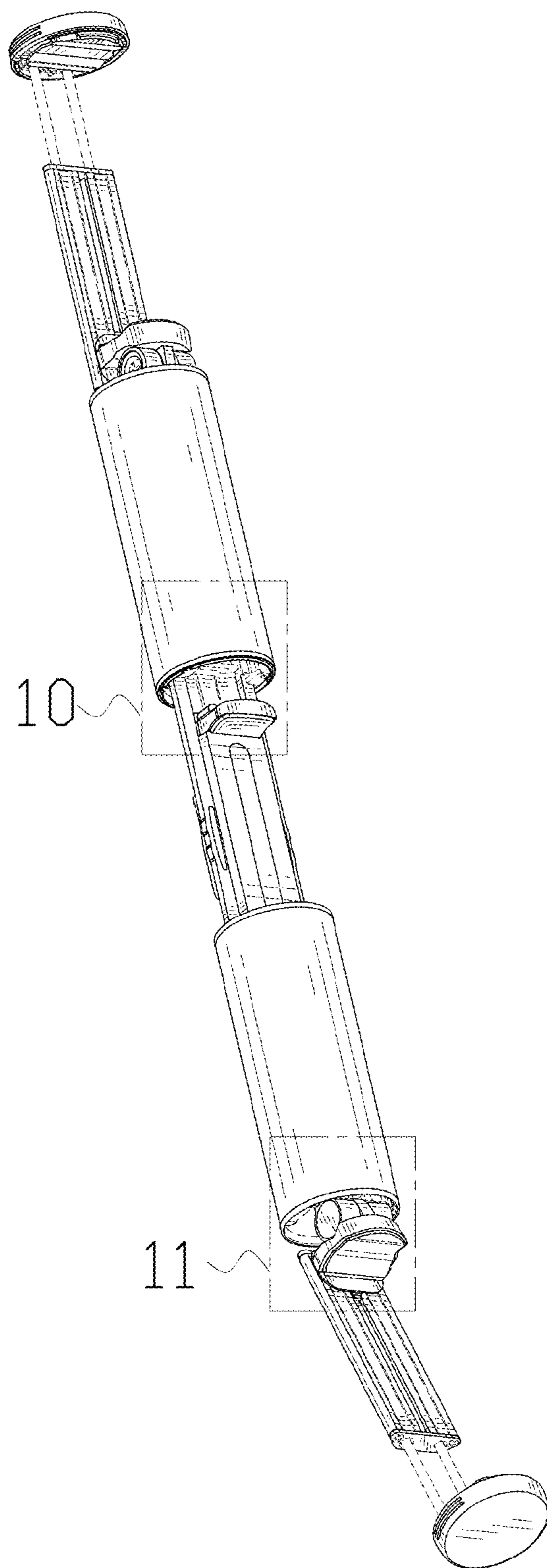


FIG. 1

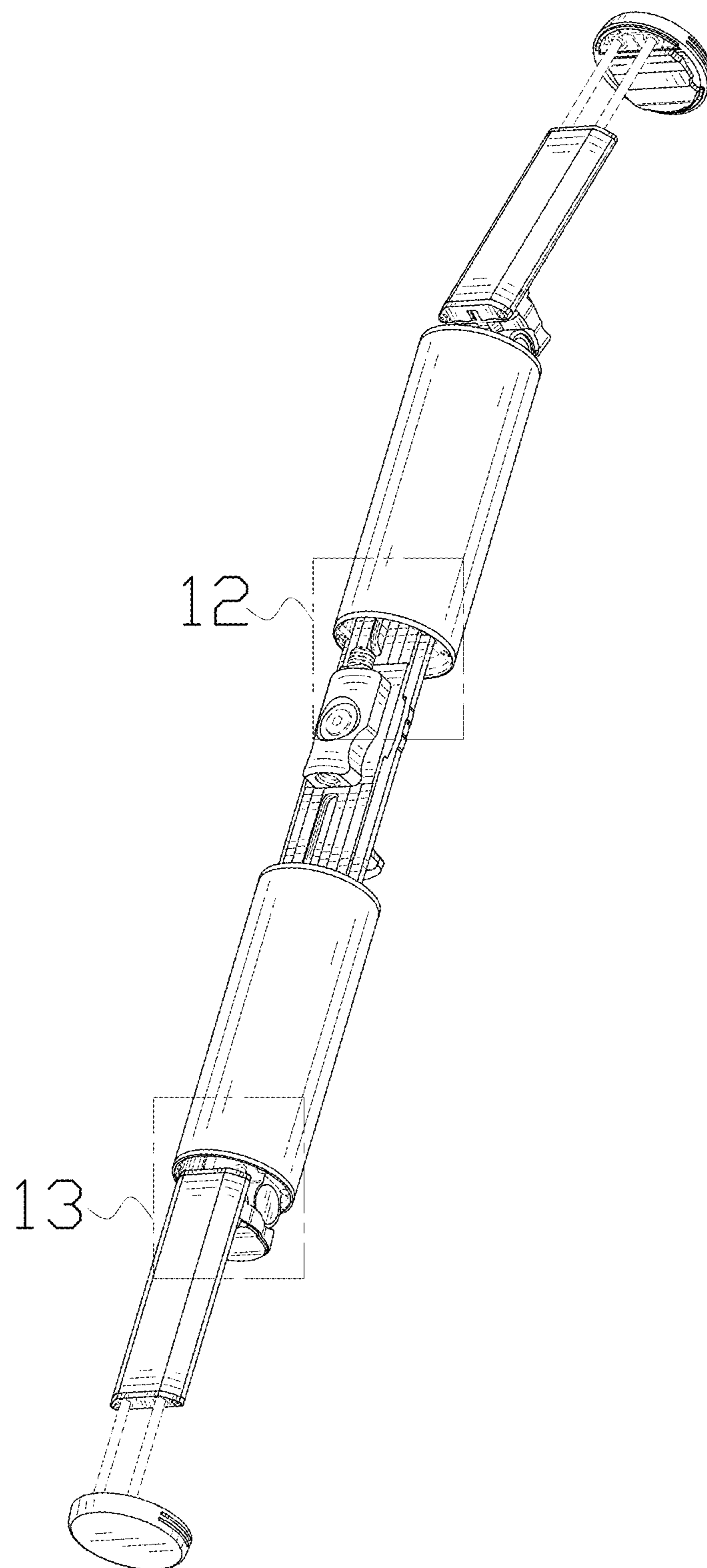


FIG. 2

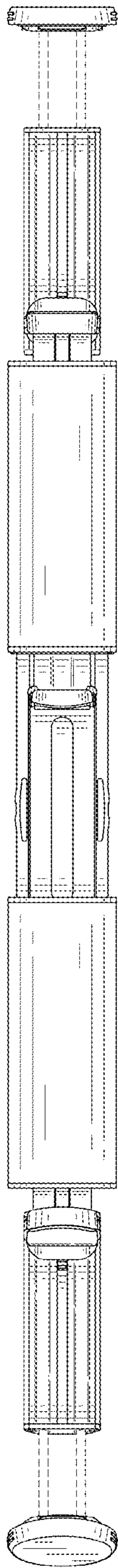


FIG. 3

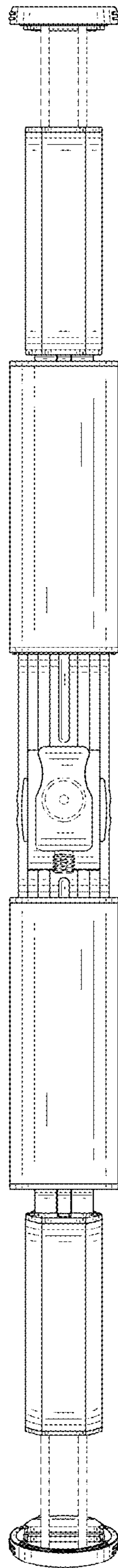


FIG. 4

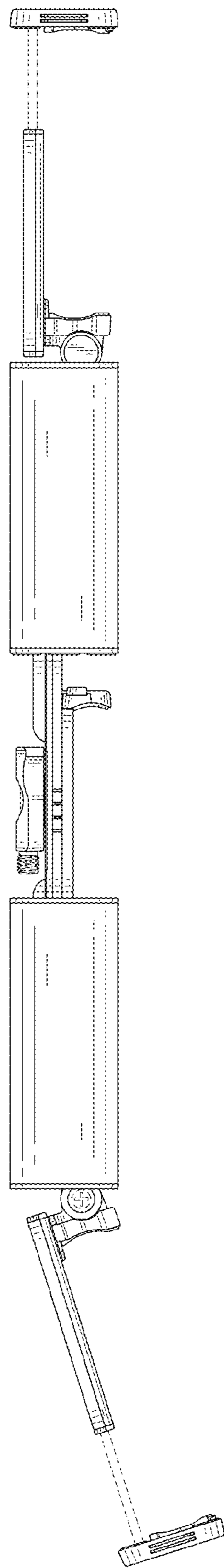


FIG. 5

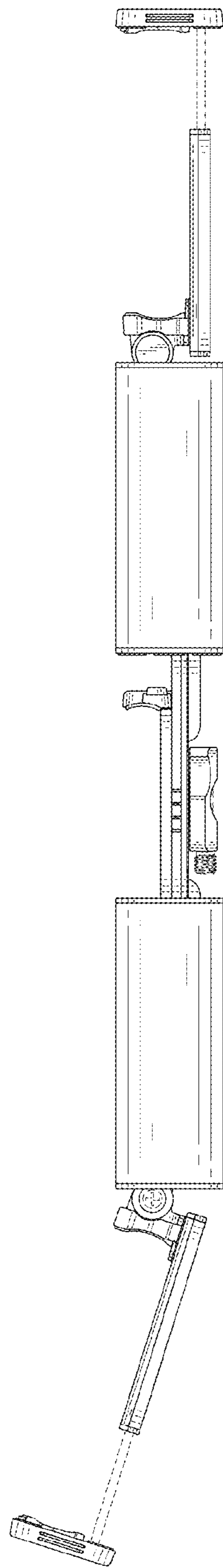


FIG. 6

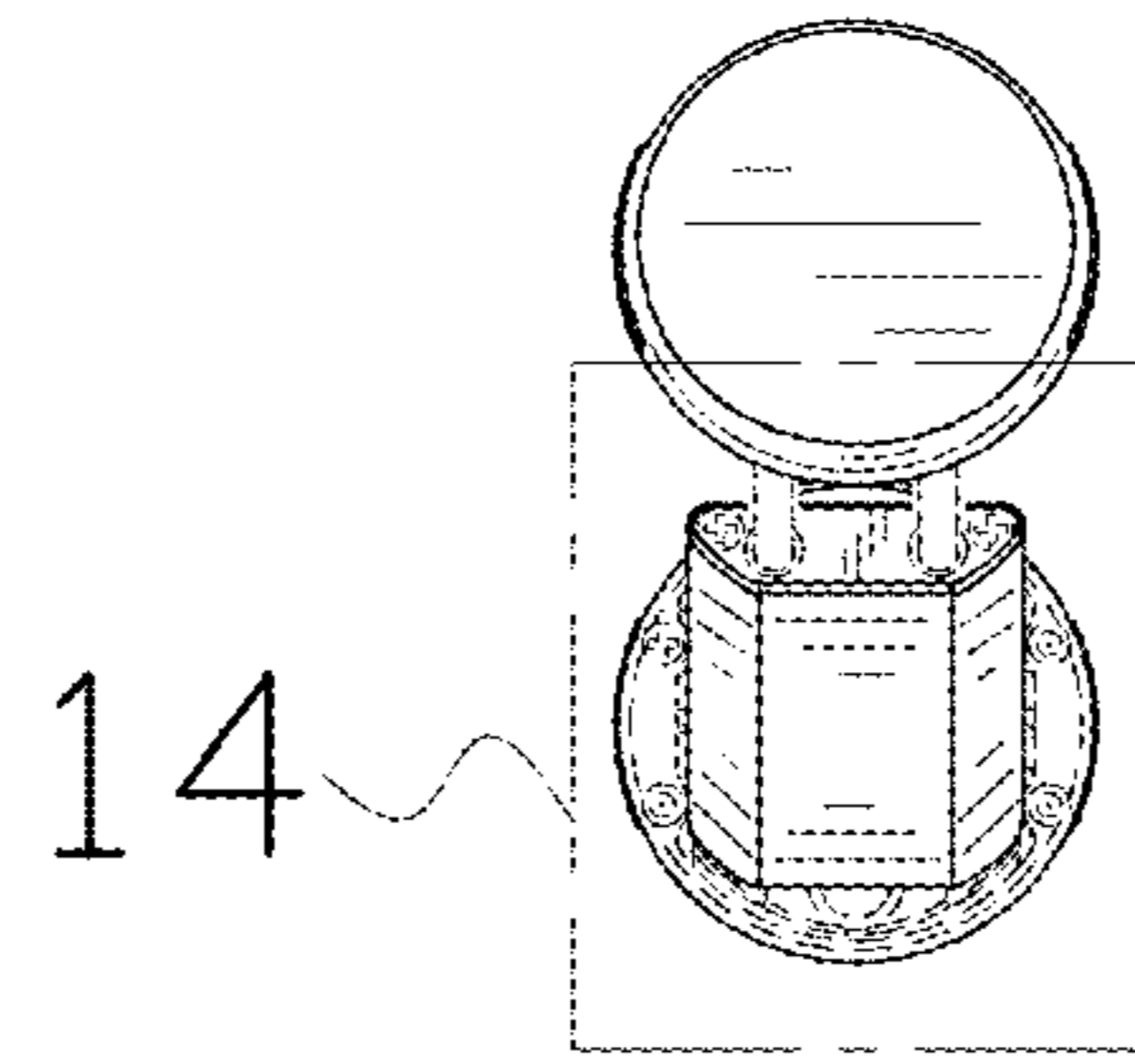


FIG. 7

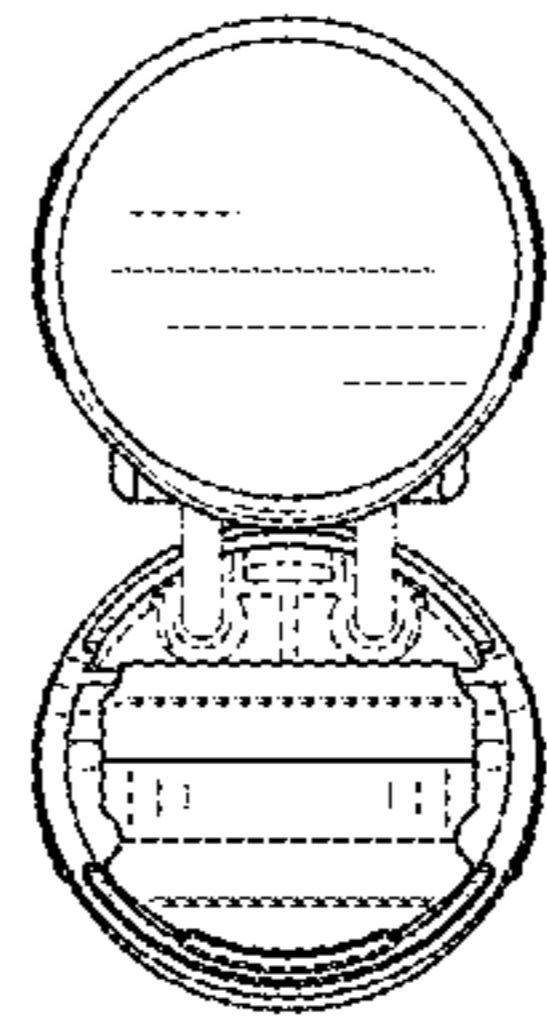


FIG. 8

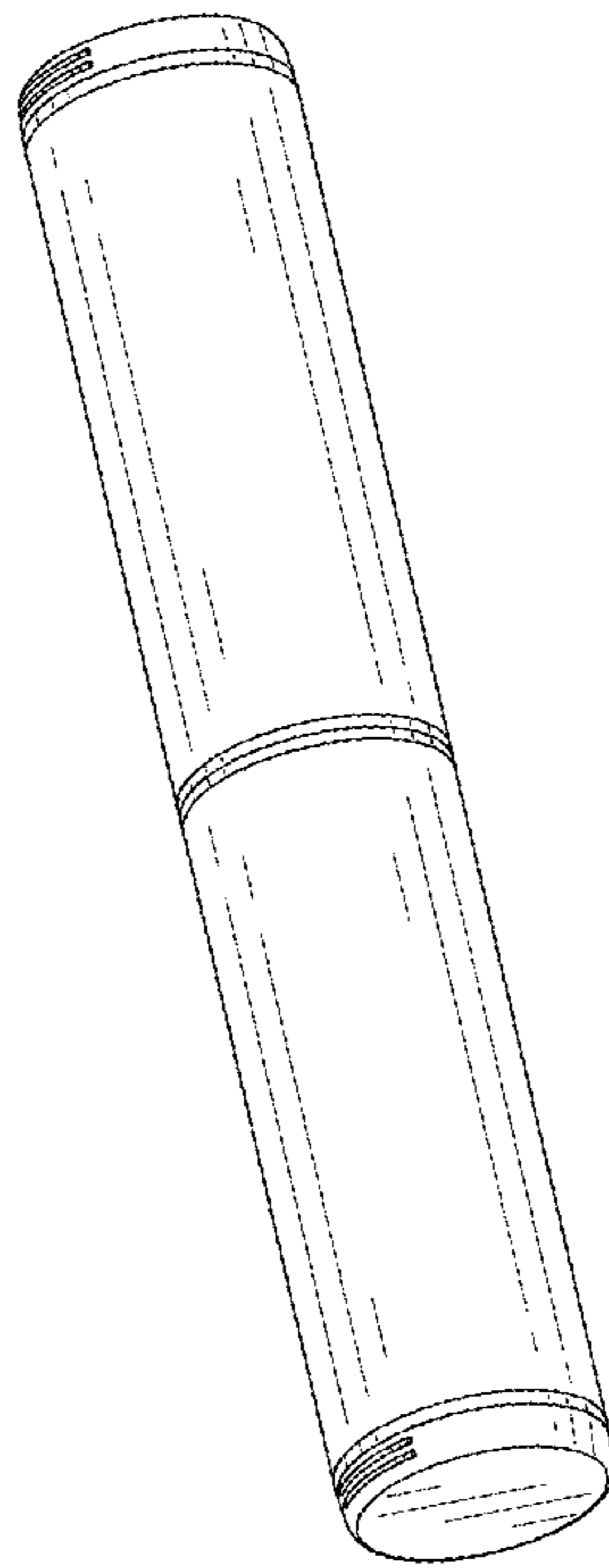


FIG. 9

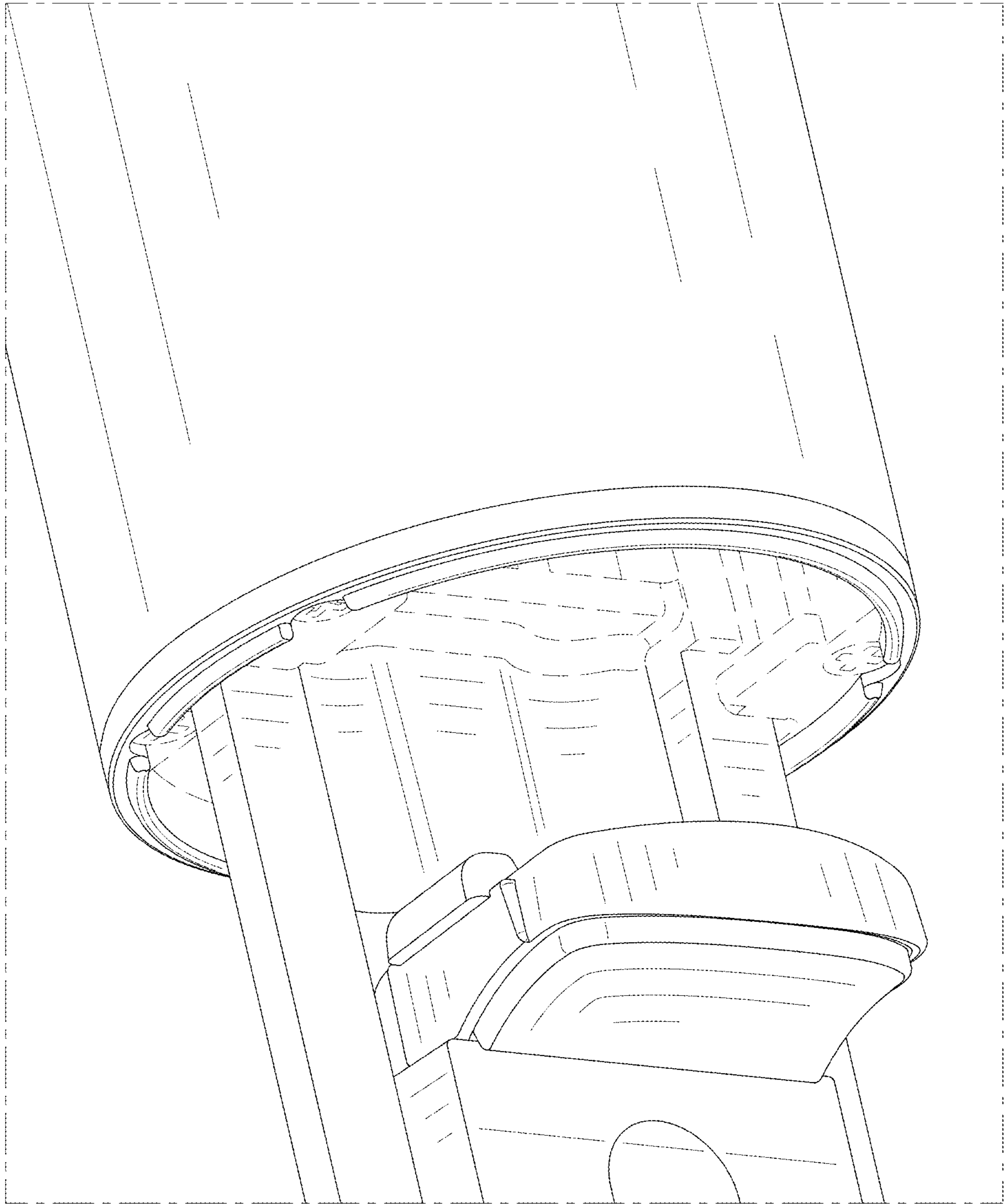


FIG. 10

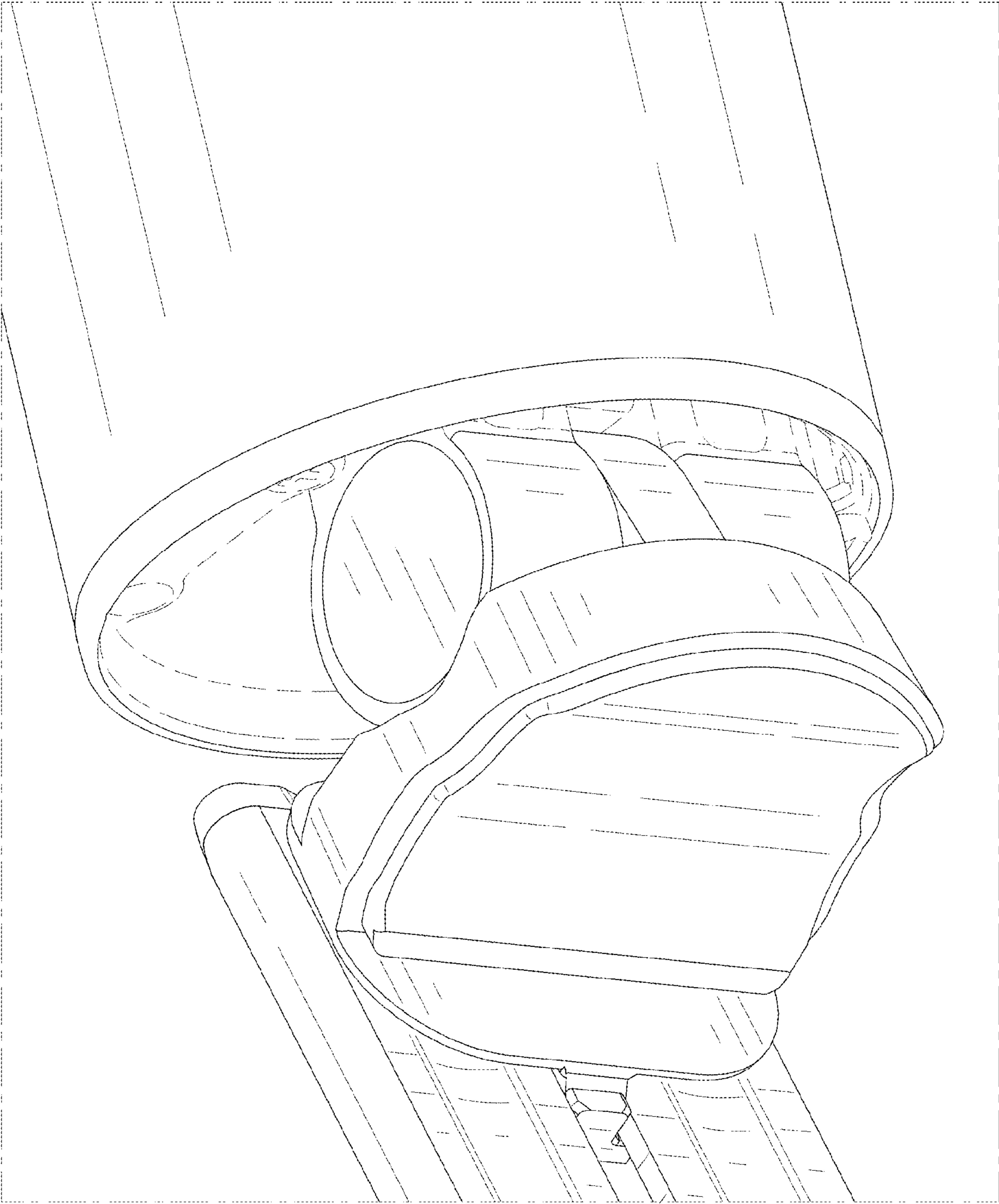


FIG. 11

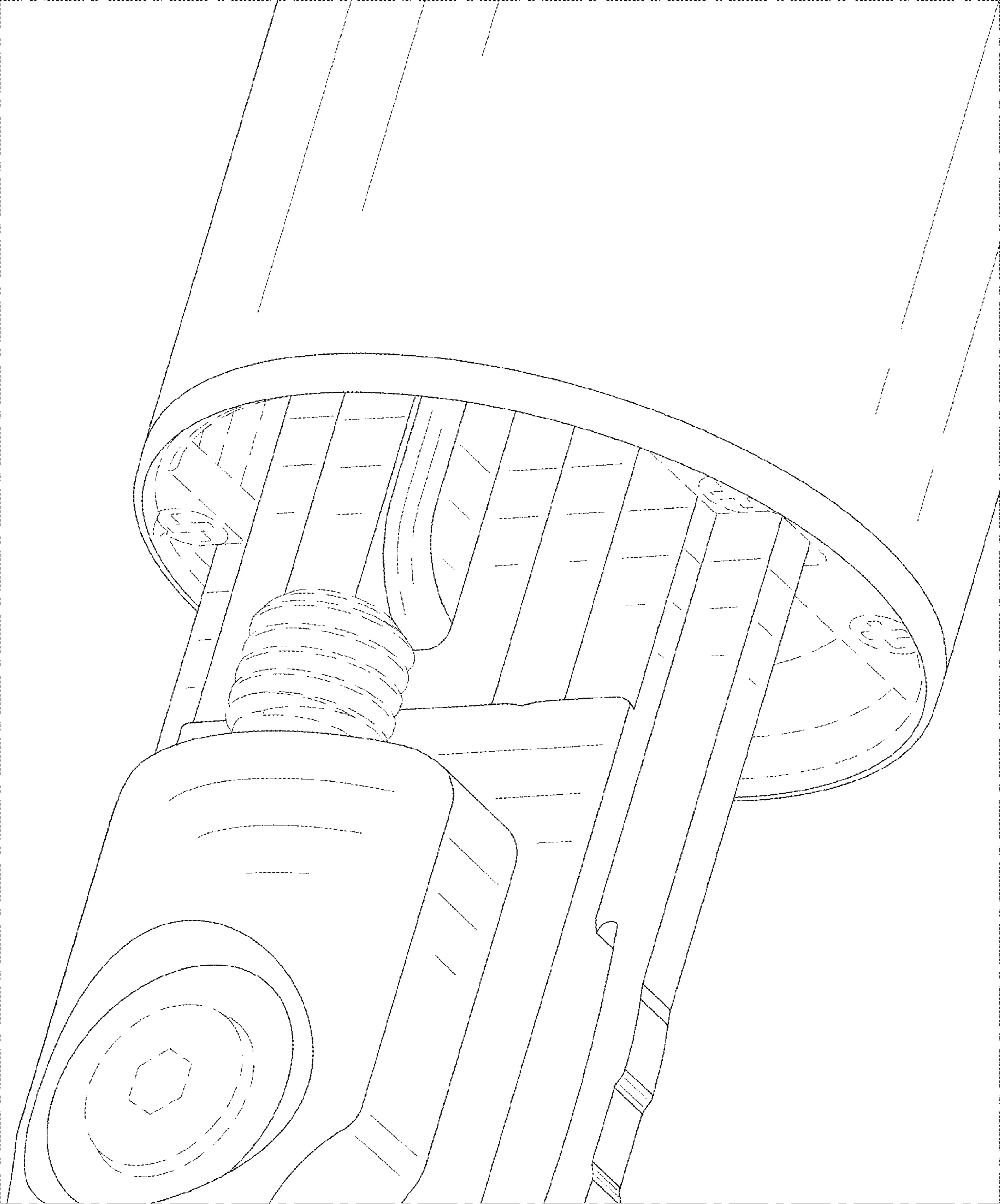


FIG. 12

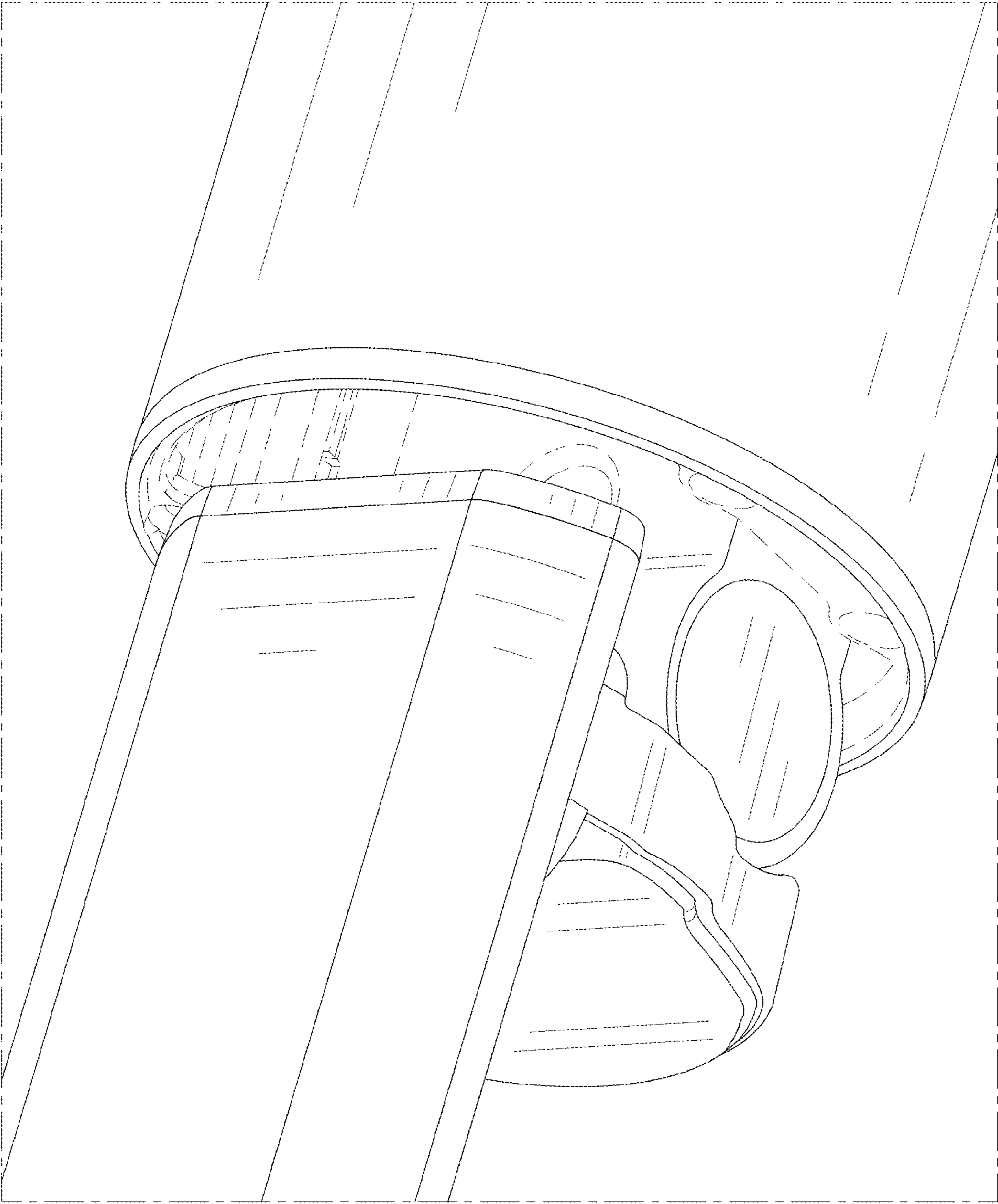


FIG. 13

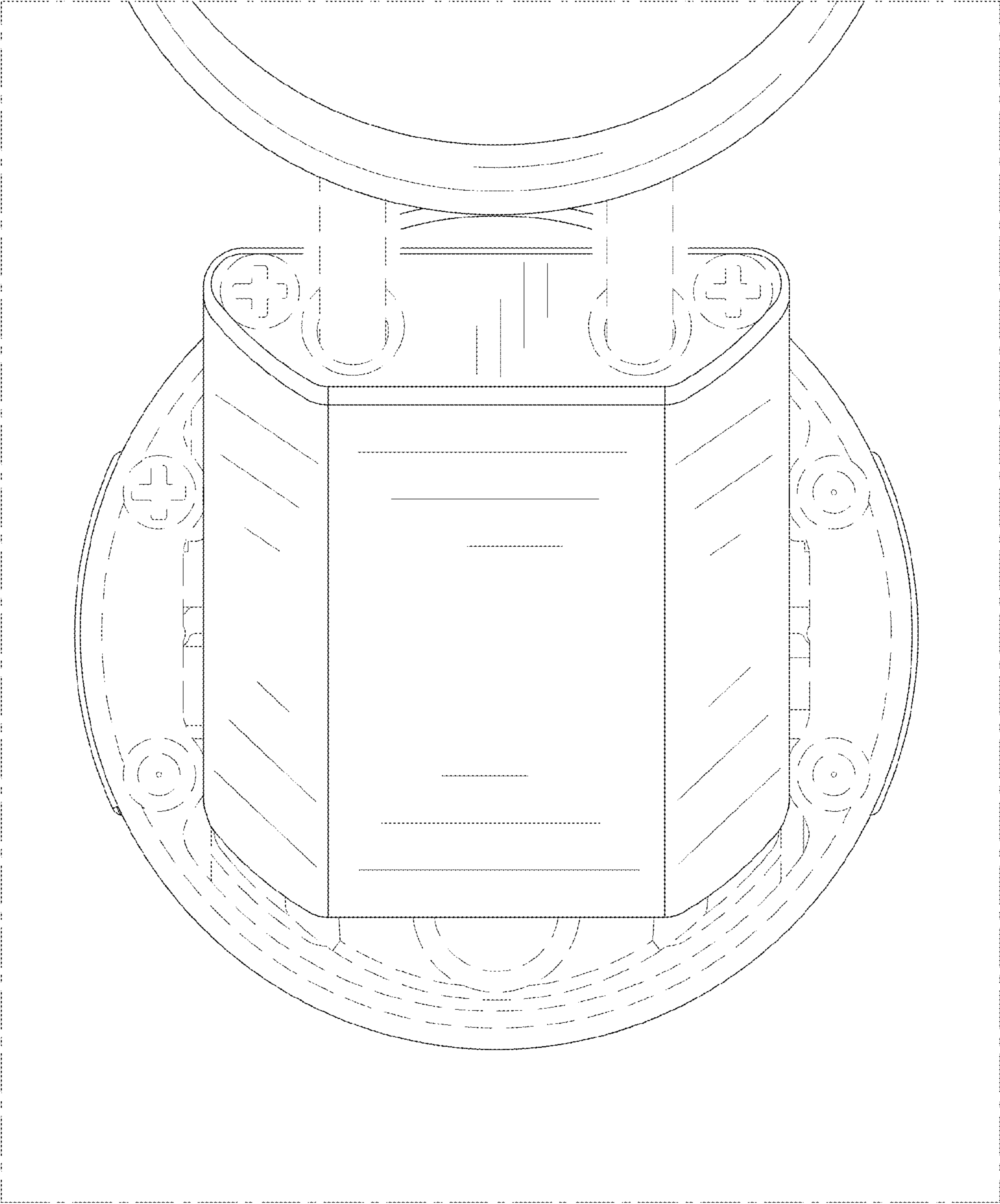


FIG. 14