



US00D881262S

(12) **United States Design Patent**  
**Ikegame**

(10) **Patent No.:** **US D881,262 S**  
(45) **Date of Patent:** **\*\* Apr. 14, 2020**

- (54) **LENS FOR CAMERA**
- (71) Applicant: **FUJIFILM Corporation**, Tokyo (JP)
- (72) Inventor: **Haruka Ikegame**, Saitama (JP)
- (73) Assignee: **FUJIFILM Corporation**, Tokyo (JP)
- (\*\*) Term: **15 Years**
- (21) Appl. No.: **29/680,805**
- (22) Filed: **Feb. 20, 2019**

(30) **Foreign Application Priority Data**

Aug. 22, 2018 (JP) ..... 2018-018269

(51) **LOC (12) Cl.** ..... **16-05**

(52) **U.S. Cl.**  
USPC ..... **D16/219**

(58) **Field of Classification Search**  
USPC ..... D16/134, 136, 200, 202–205, 218, 219,  
D16/235, 242; 348/373–376;  
359/826–828; 396/529–532, 535,  
396/539–541

CPC ..... G03B 17/02; G03B 19/04; G03B 17/56;  
G03B 17/04; G03B 15/03; G03B 17/14;  
H04N 5/2251; H04N 5/2252; H04N  
5/2253; H04N 5/2254; G02B 7/02; G02B  
7/04; G02B 7/14

See application file for complete search history.

(56) **References Cited**

**U.S. PATENT DOCUMENTS**

- D562,863 S \* 2/2008 Yasutomi ..... D16/134
- D718,361 S \* 11/2014 Noh ..... D16/219
- D724,644 S \* 3/2015 Tainaka ..... D16/219
- D737,359 S \* 8/2015 Jung ..... D16/219

- D768,224 S \* 10/2016 Kim ..... D16/219
- D783,078 S \* 4/2017 Kim ..... D16/219
- D837,276 S \* 1/2019 Ikegame ..... D16/219
- D837,277 S \* 1/2019 Ikegame ..... D16/219
- D849,116 S \* 5/2019 Lee ..... D16/219
- D857,080 S \* 8/2019 Kamei ..... D16/219
- D867,430 S \* 11/2019 Ikegame ..... D16/219
- 2015/0116535 A1 \* 4/2015 Wu ..... H04N 9/735  
348/224.1

**OTHER PUBLICATIONS**

An Office Action; “Notification,” issued by the Japanese Patent Office on Feb. 20, 2019, which corresponds to Japanese Design Application No. 2018-018269 and is related to Design U.S. Appl. No. 29/680,805; with English language translation.

\* cited by examiner

*Primary Examiner* — Ramzi S Almatrahi

(74) *Attorney, Agent, or Firm* — Studebaker & Brackett PC

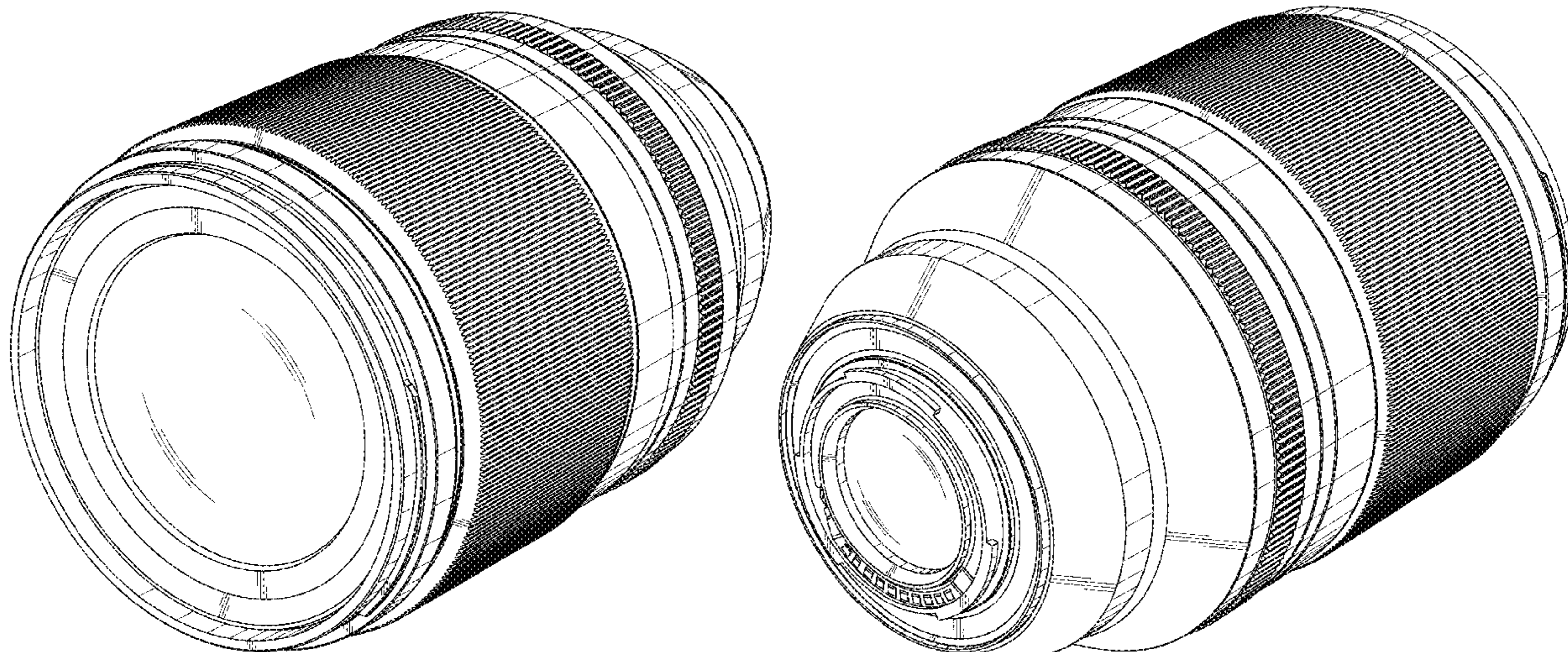
(57) **CLAIM**

The ornamental design for a lens for camera, as shown and described.

**DESCRIPTION**

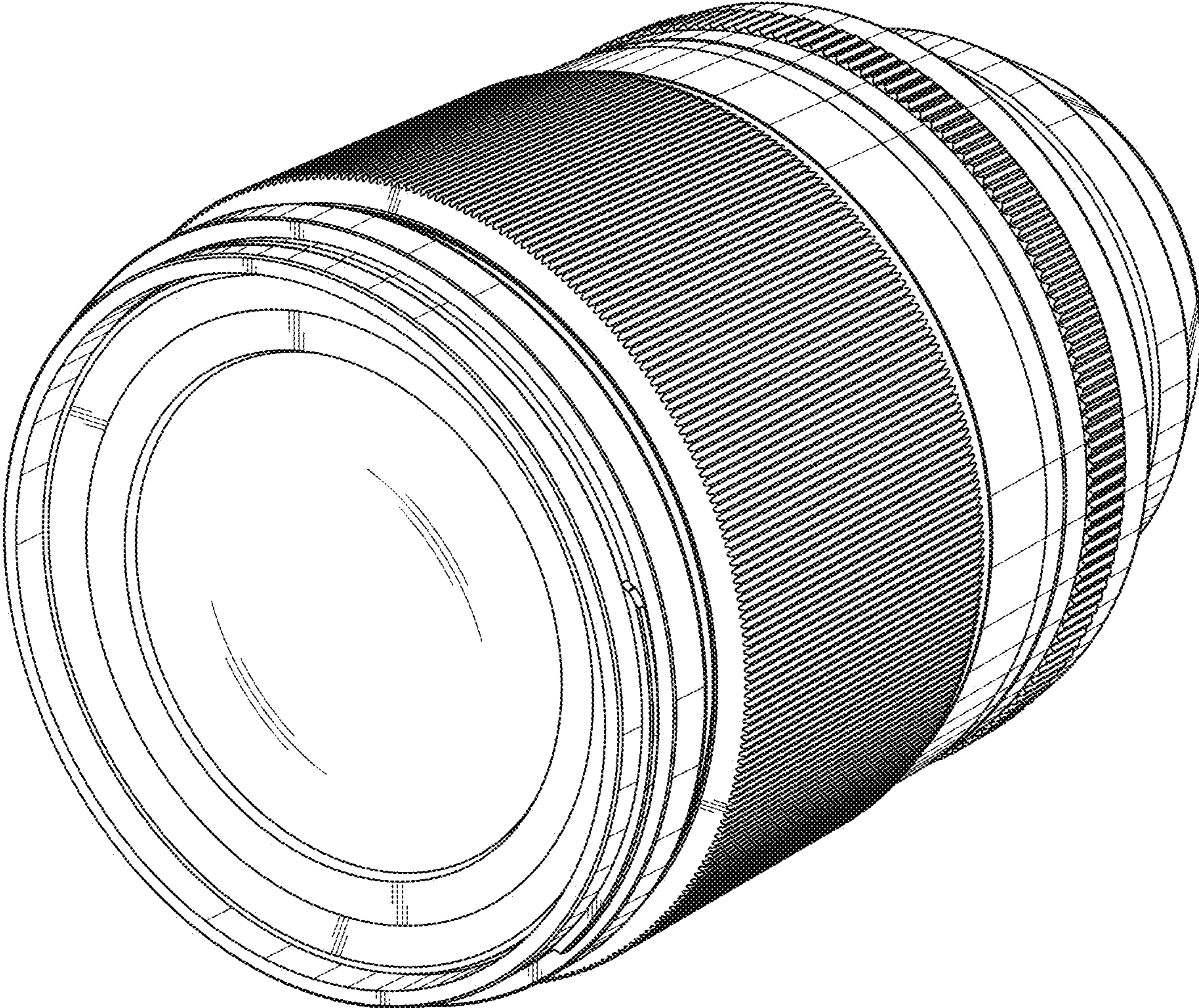
FIG. 1 is a top and left side perspective view of a lens for camera showing my new design;  
FIG. 2 is a top and right side perspective view thereof;  
FIG. 3 is a front view thereof;  
FIG. 4 is a rear view thereof;  
FIG. 5 is a top plan view thereof;  
FIG. 6 is a bottom plan view thereof;  
FIG. 7 is a right side view thereof; and,  
FIG. 8 is a left side view thereof.

**1 Claim, 8 Drawing Sheets**





**FIG. 1**





**FIG. 2**

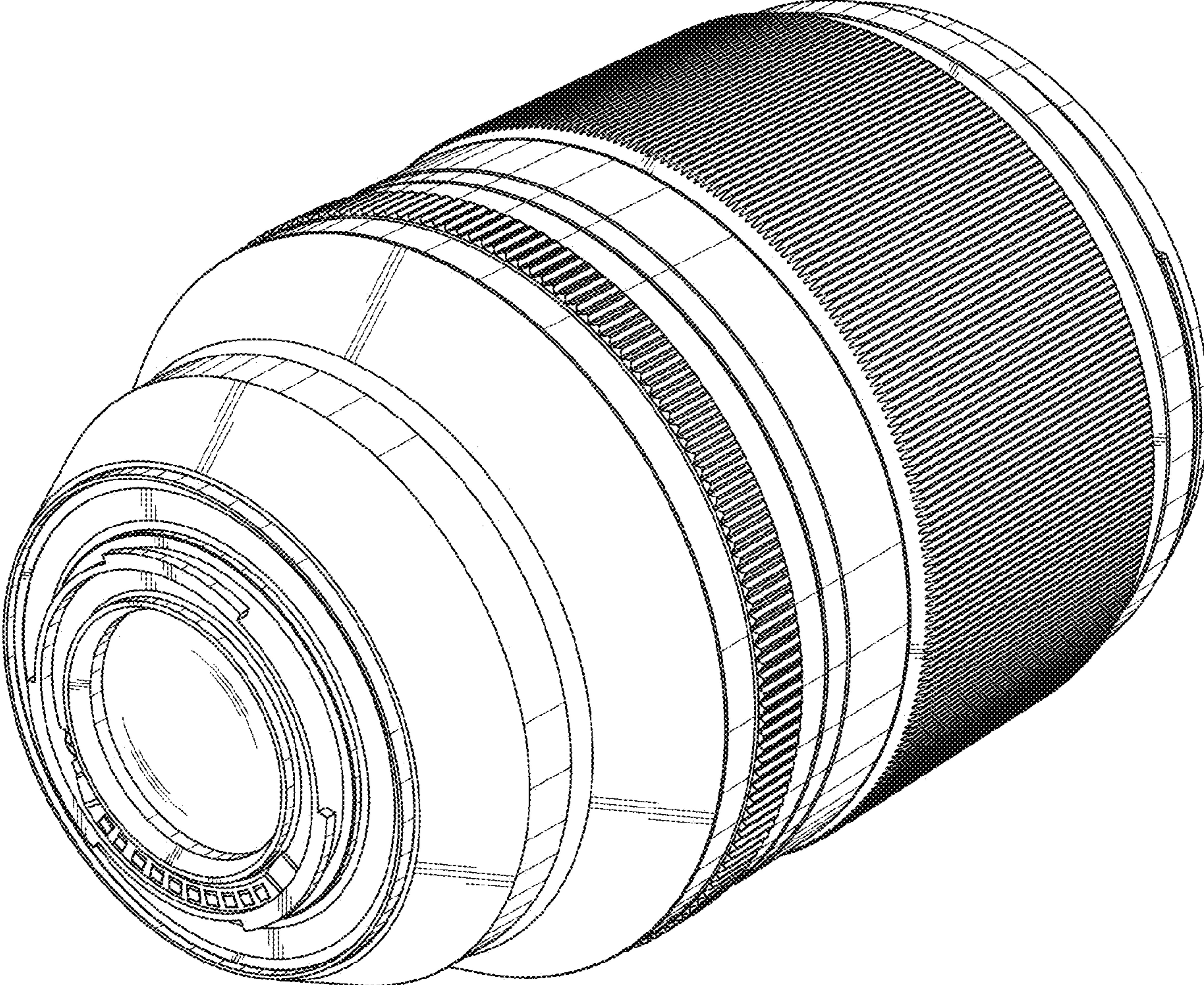




FIG. 3

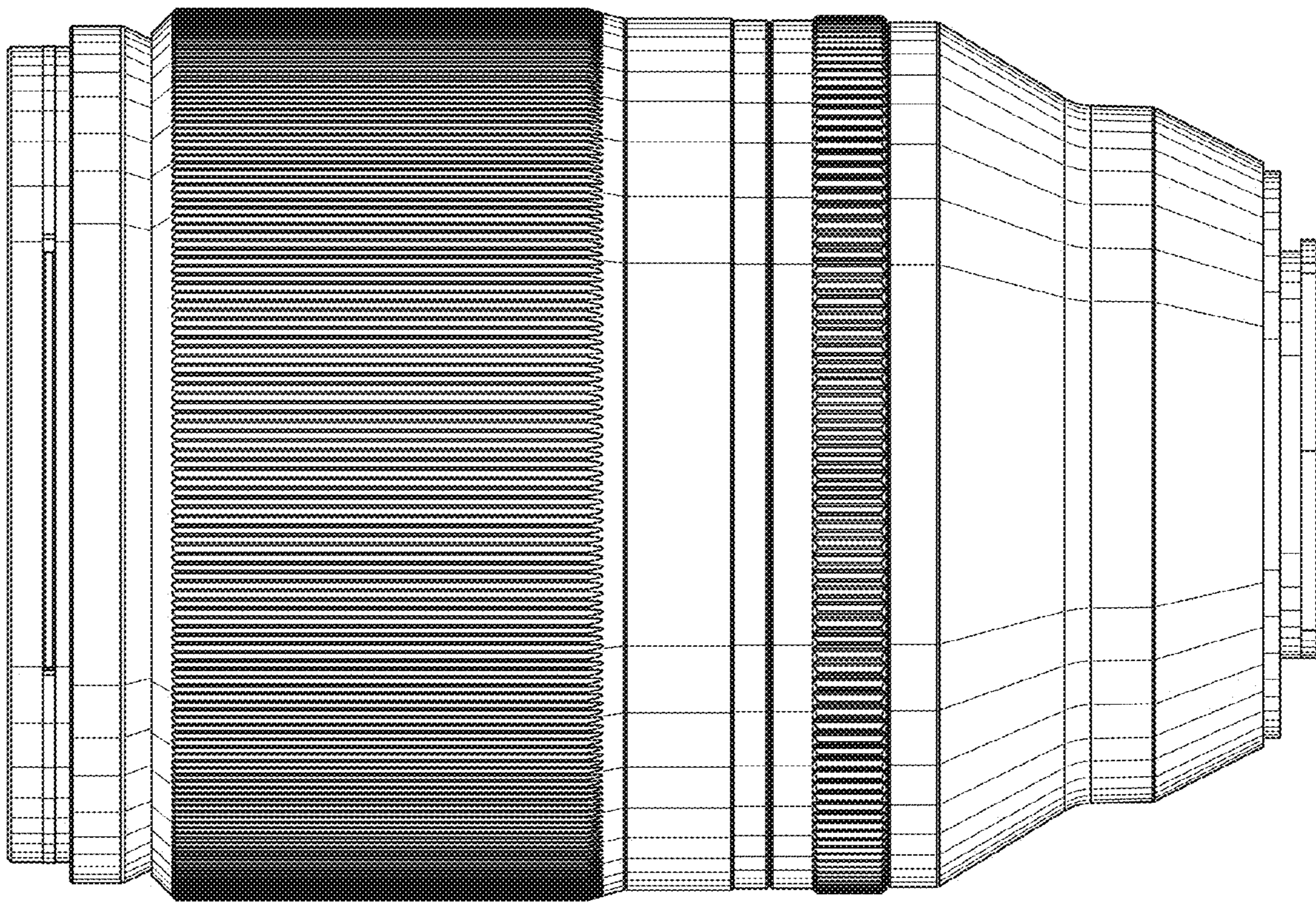


FIG. 4

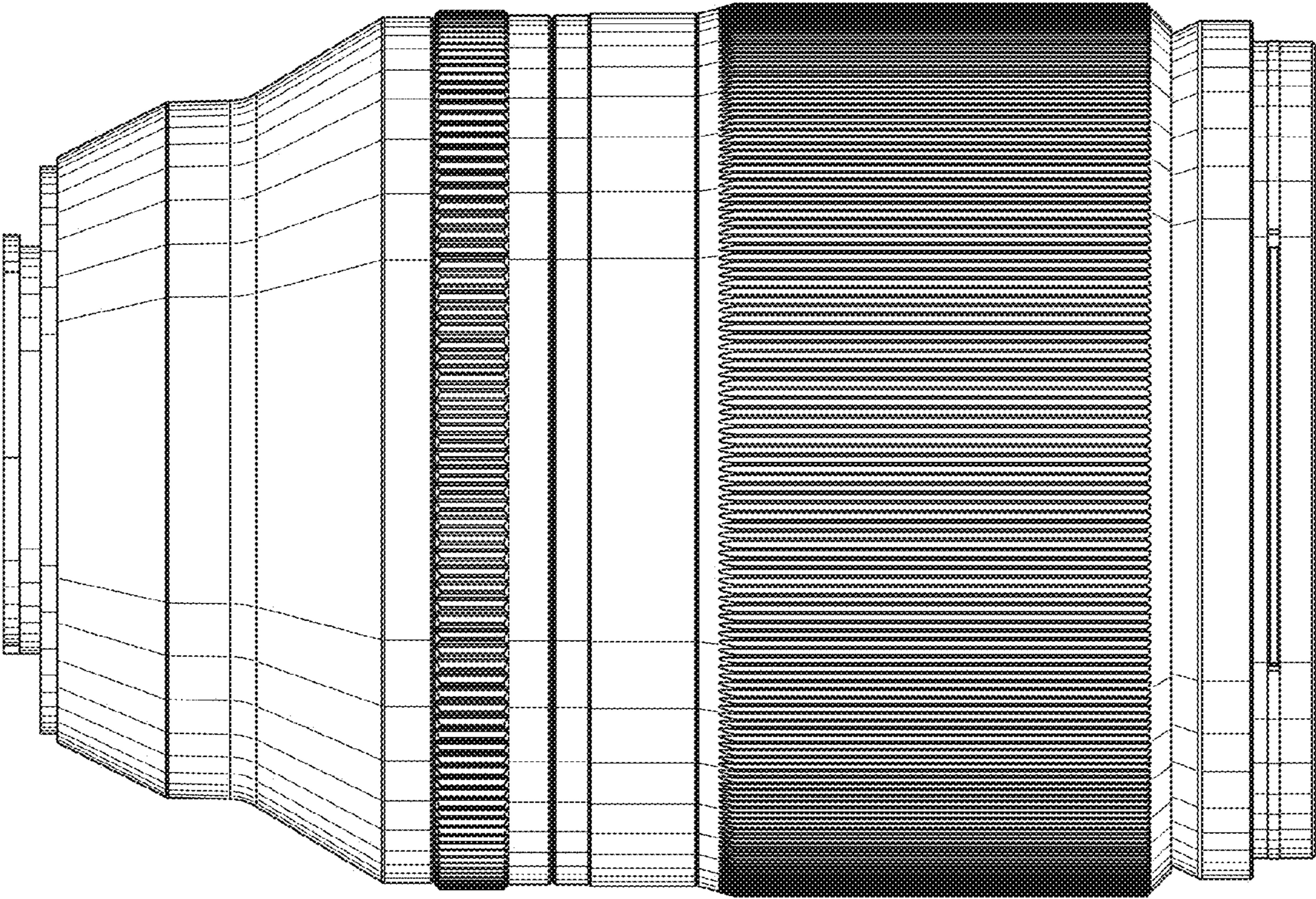




FIG. 5

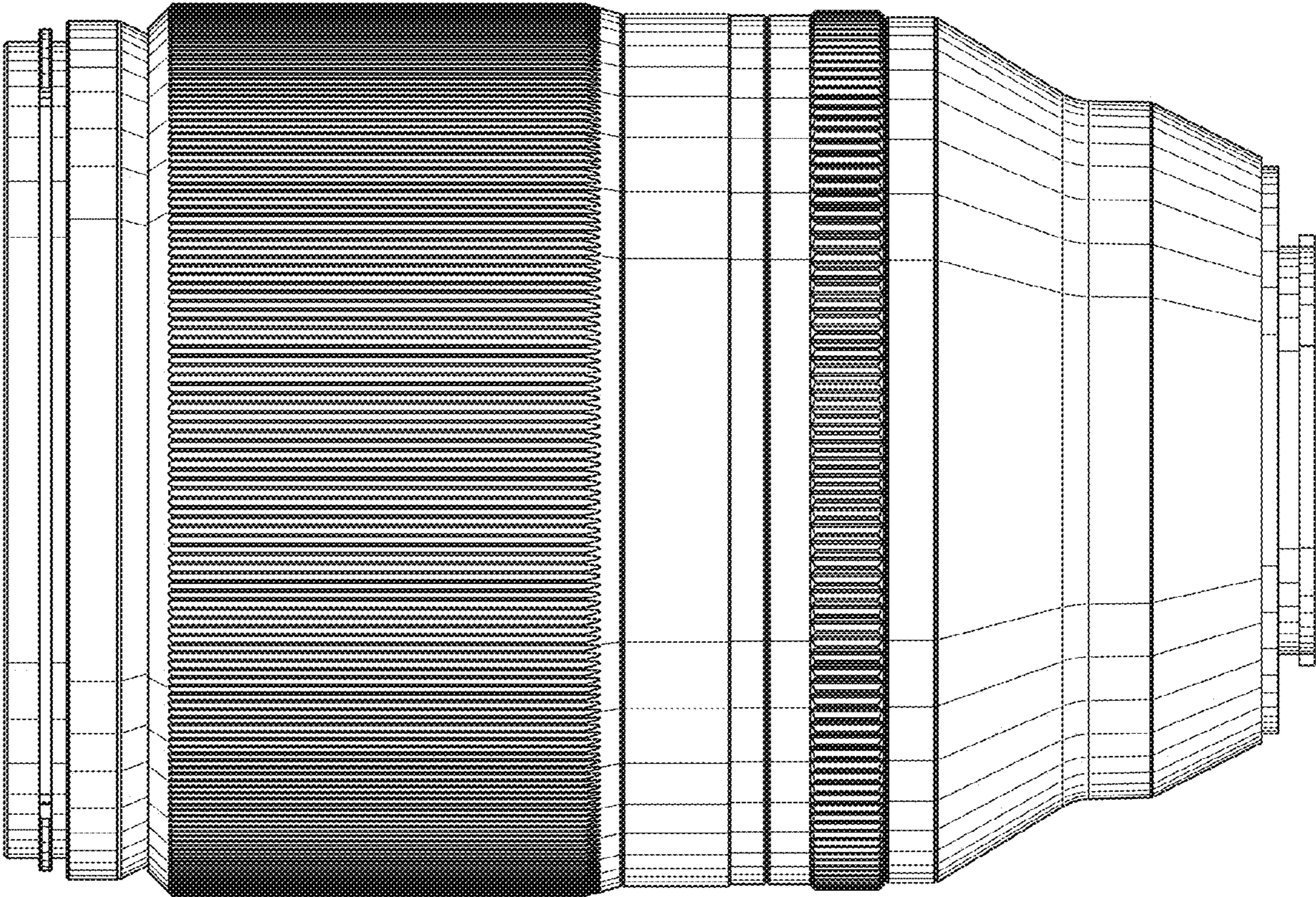
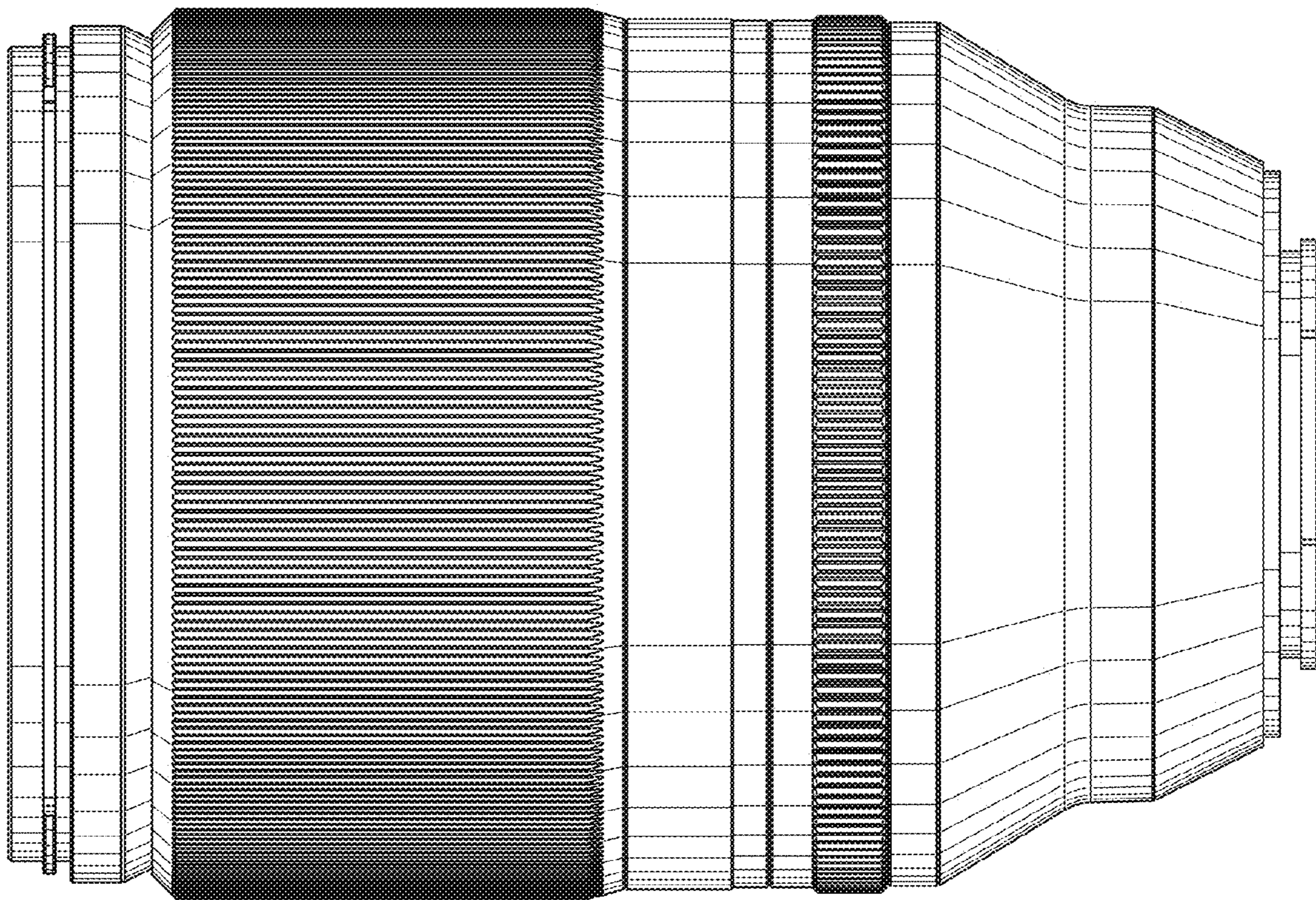
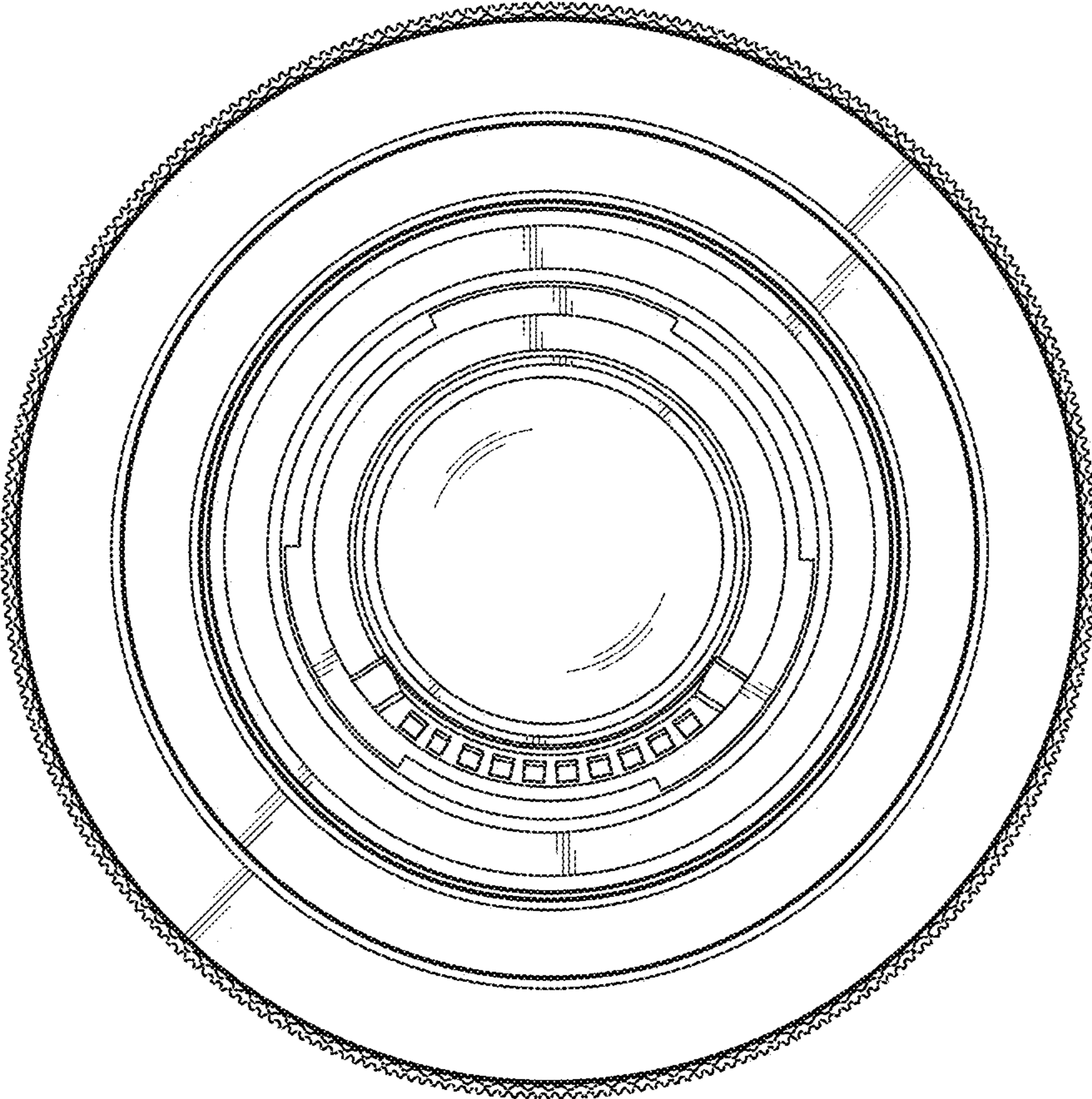


FIG. 6





**FIG. 7**





**FIG. 8**

