



US00D881261S

(12) **United States Design Patent**  
**Ikegame**

(10) **Patent No.:** **US D881,261 S**

(45) **Date of Patent:** **\*\* Apr. 14, 2020**

(54) **LENS FOR CAMERA**

(71) Applicant: **FUJIFILM Corporation**, Tokyo (JP)

(72) Inventor: **Haruka Ikegame**, Saitama (JP)

(73) Assignee: **FUJIFILM Corporation**, Tokyo (JP)

(\*\*) Term: **15 Years**

(21) Appl. No.: **29/680,568**

(22) Filed: **Feb. 18, 2019**

(30) **Foreign Application Priority Data**

Aug. 20, 2018 (JP) ..... 2018-018083

(51) **LOC (12) Cl.** ..... **16-05**

(52) **U.S. Cl.**  
USPC ..... **D16/219**

(58) **Field of Classification Search**  
USPC ..... D16/134, 136, 200, 202–205, 218, 219,  
D16/235, 242; 348/373–376;  
359/826–828; 396/529–532, 535,  
396/539–541

CPC ..... G03B 17/02; G03B 19/04; G03B 17/56;  
G03B 17/04; G03B 15/03; G03B 17/14;  
H04N 5/2251; H04N 5/2252; H04N  
5/2253; H04N 5/2254; G02B 7/02; G02B  
7/04; G02B 7/14

See application file for complete search history.

(56) **References Cited**

**U.S. PATENT DOCUMENTS**

D562,863 S \* 2/2008 Yasutomi ..... D16/134  
D562,865 S \* 2/2008 Yasutomi ..... D16/134  
D718,361 S \* 11/2014 Noh ..... D16/219  
D724,644 S \* 3/2015 Tainaka ..... D16/219  
D737,359 S \* 8/2015 Jung ..... D16/219  
D768,224 S \* 10/2016 Kim ..... D16/219  
D783,078 S \* 4/2017 Kim ..... D16/219

D783,700 S \* 4/2017 Tagawa ..... D16/219  
D837,276 S \* 1/2019 Ikegame ..... D16/219  
D837,277 S \* 1/2019 Ikegame ..... D16/219  
D849,116 S \* 5/2019 Lee ..... D16/219  
D857,080 S \* 8/2019 Kamei ..... D16/219  
2015/0116535 A1\* 4/2015 Wu ..... H04N 9/735  
348/224.1

**FOREIGN PATENT DOCUMENTS**

JP 1575235 S 5/2017

**OTHER PUBLICATIONS**

Design of a Camera Lens (Japan Patent Office, Design Division Official Gazette No. HA28002805), Domestic Magazine “Asahi Camera” published by Asahi Shimbun Publications Inc., Recorded on p. 57, vol. 101, Issue 4, Product Name: X-Pro2, Published on Apr. 20, 2016.

(Continued)

*Primary Examiner* — Ramzi S Almatrahi

(74) *Attorney, Agent, or Firm* — Studebaker & Brackett PC

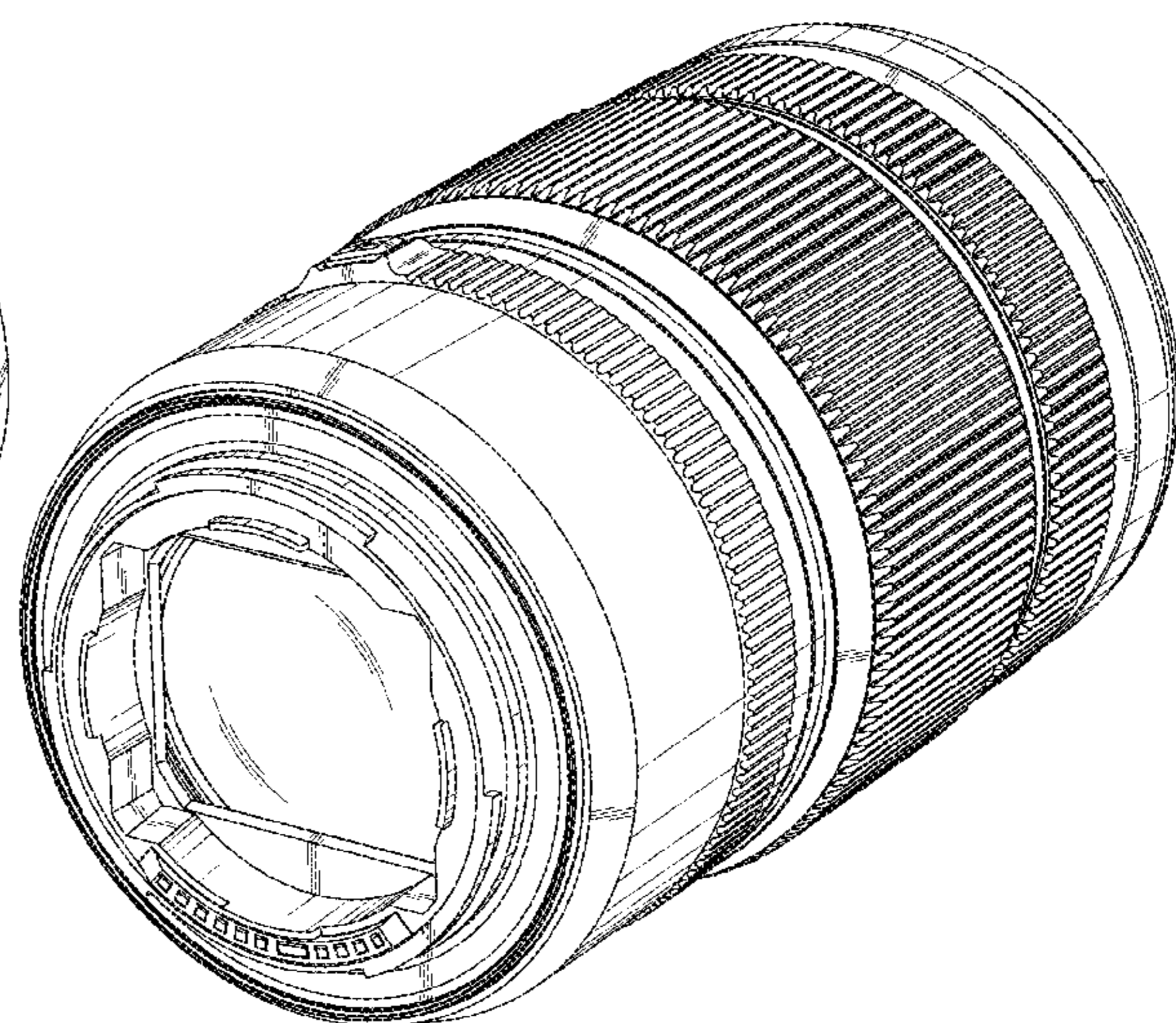
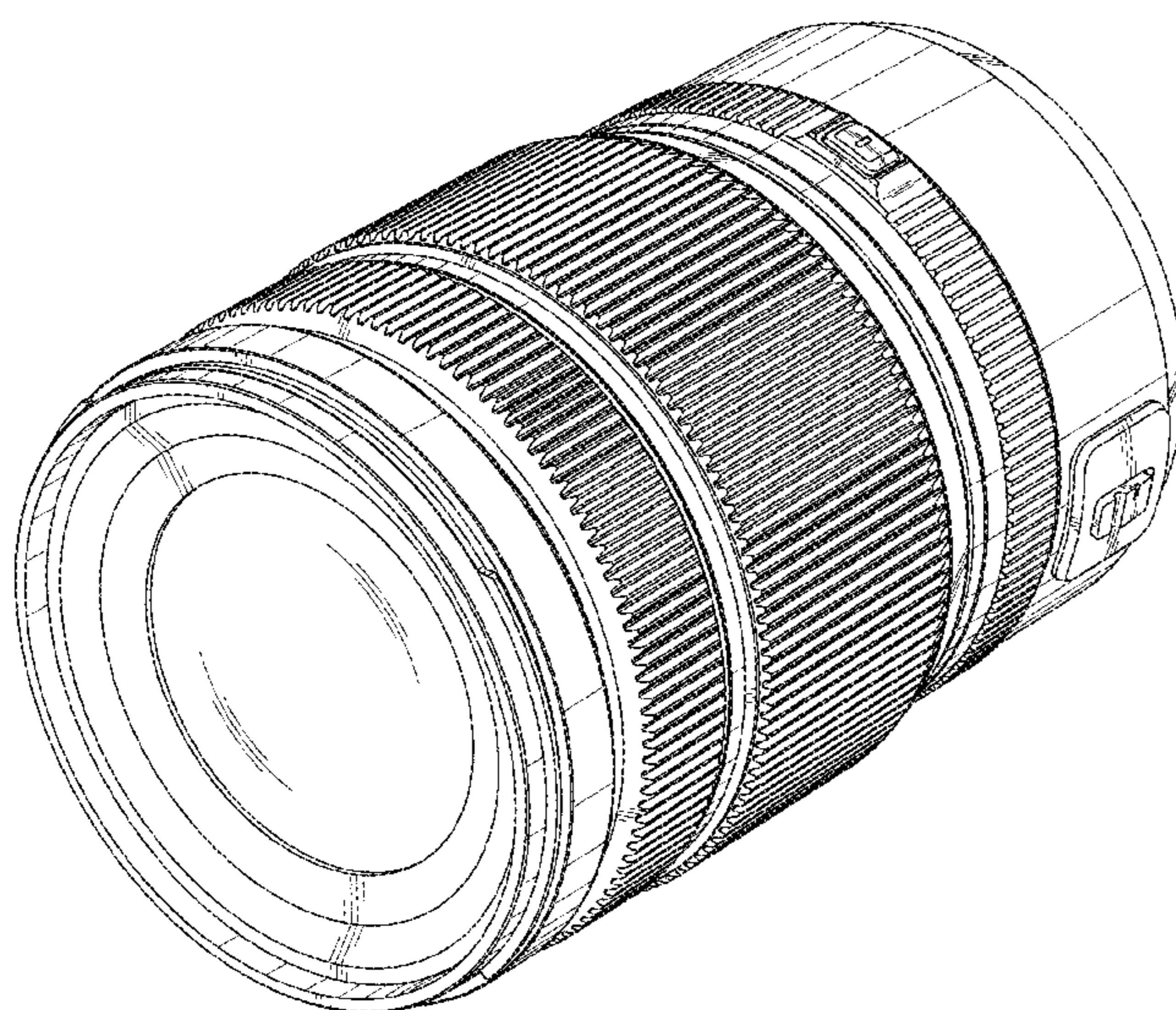
(57) **CLAIM**

The ornamental design for a lens for camera, as shown and described.

**DESCRIPTION**

FIG. 1 is a top, front and left side perspective view of a lens for camera showing my new design;  
FIG. 2 is a top, rear and right side perspective view thereof;  
FIG. 3 is a front view thereof;  
FIG. 4 is a rear view thereof;  
FIG. 5 is a top plan view thereof;  
FIG. 6 is a bottom plan view thereof;  
FIG. 7 is a right side view thereof; and,  
FIG. 8 is a left side view thereof.

**1 Claim, 8 Drawing Sheets**





(56)

**References Cited**

## OTHER PUBLICATIONS

Design of a Camera Lens (Japan Patent Office, Design Division Official Gazette No. HA28003817), Domestic Magazine "Nippon Camera" published by Nippon Camera, Recorded on p. 146, vol. 904, Product Name: FUJINON Lens XF100~400mm F4.5-5.6 R LM OIS WR, Published on May 1, 2016.

Design of Camera Lens (Japan Patent Office, Design Division Official Gazette No. HJ25010880), Title: A long-awaited high-performance telephoto zoom lens for "X Mount" is newly released! "FUJINON Lens XF55-200mmF3.5-4.8 R LM OIS" Now on Sale: URL of the published website: [http://www.fujifilm.co.jp/corporate/news/articleffnr\\_0768.html](http://www.fujifilm.co.jp/corporate/news/articleffnr_0768.html), Product Name: FUJINON Lens XF55-200mm F3.5-4.8 R LM OIS, Published on an Internet Website (Checked on May 31, 2013) Posted by: FUJIFILM Corporation.

Design of Camera Lens (Japan Patent Office, Design Division Official Gazette No. HJ26063023), Title: A zoom lens with a Maximum Aperture 2.8 in a wide range of all zoom area from Wide Angle 24mm (\*1) to Semi Telephoto 84mm (\*1) is newly released! Using advanced optical design, from imaging scenery to portrait.,

URL of the published website: [http://www.fujifilm.co.jp/corporate/news/articleffnr\\_0950.html](http://www.fujifilm.co.jp/corporate/news/articleffnr_0950.html), Product Name: FUJINON Lens "XF16-55mm F2.8 R LM WR", Published on an Internet Website (Checked on Mar. 6, 2015) Posted by: FUJIFILM Corporation.

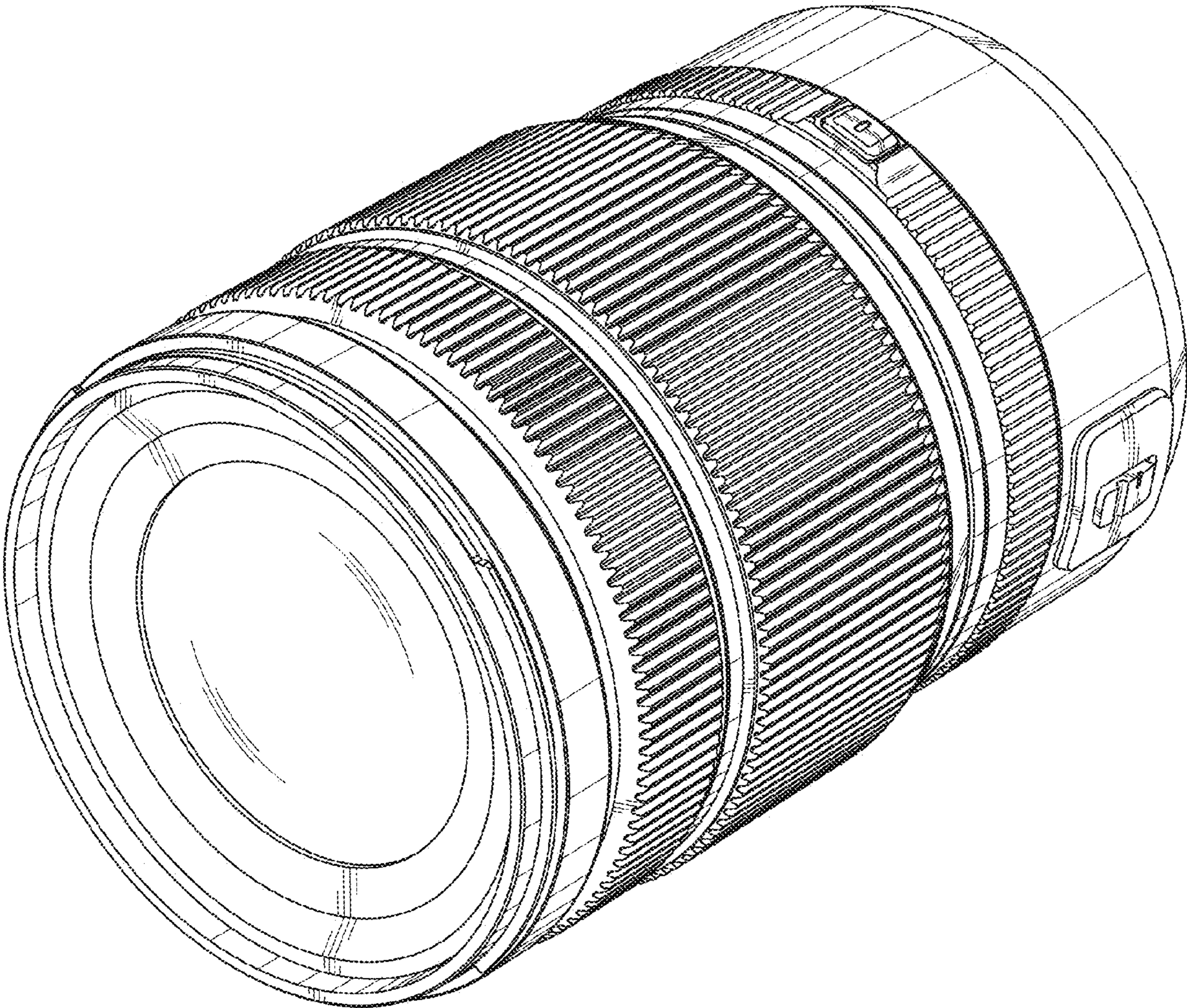
Design of Camera Lens (Japan Patent Office, Design Division Official Gazette No. HJ26046441), Title: TAMRON | News | "28-300mm F/3.5-6.3 Di PZD (Model A010)" for Sony is now on sale, URL of the published website: [http://www.tamron.co.jp/news/release\\_2014/1027.html](http://www.tamron.co.jp/news/release_2014/1027.html), Product Name: 28-300mm F/3.5-6.3 Di PZD (Model A010) for Sony, Published on an Internet Website (Checked on Nov. 21, 2014) Posted by: TAMRON Co., Ltd.

Design of Camera Lens (Japan Patent Office, Design Division Official Gazette No. HJ27052336), Title: TAMRON | News | 18-200mm F/3.5-6.3 Di II (Model B018) for Sony, URL of the published website: [http://www.tamron.co.jp/news/release\\_2015/1217\\_1.html](http://www.tamron.co.jp/news/release_2015/1217_1.html), Product Name: 18-200mm F/3.5-6.3 Di II (Model B018), Published on an Internet Website (Checked on Jan. 29, 2016) Posted by: TAMRON Co., Ltd.

An Office Action; "Notification," issued by the Japanese Patent Office on Feb. 20, 2019, which corresponds to Japanese Design Application No. 2018-018083 and is related to Design U.S. Appl. No. 29/680,568; with English language translation.

\* cited by examiner

FIG. 1





**FIG. 2**

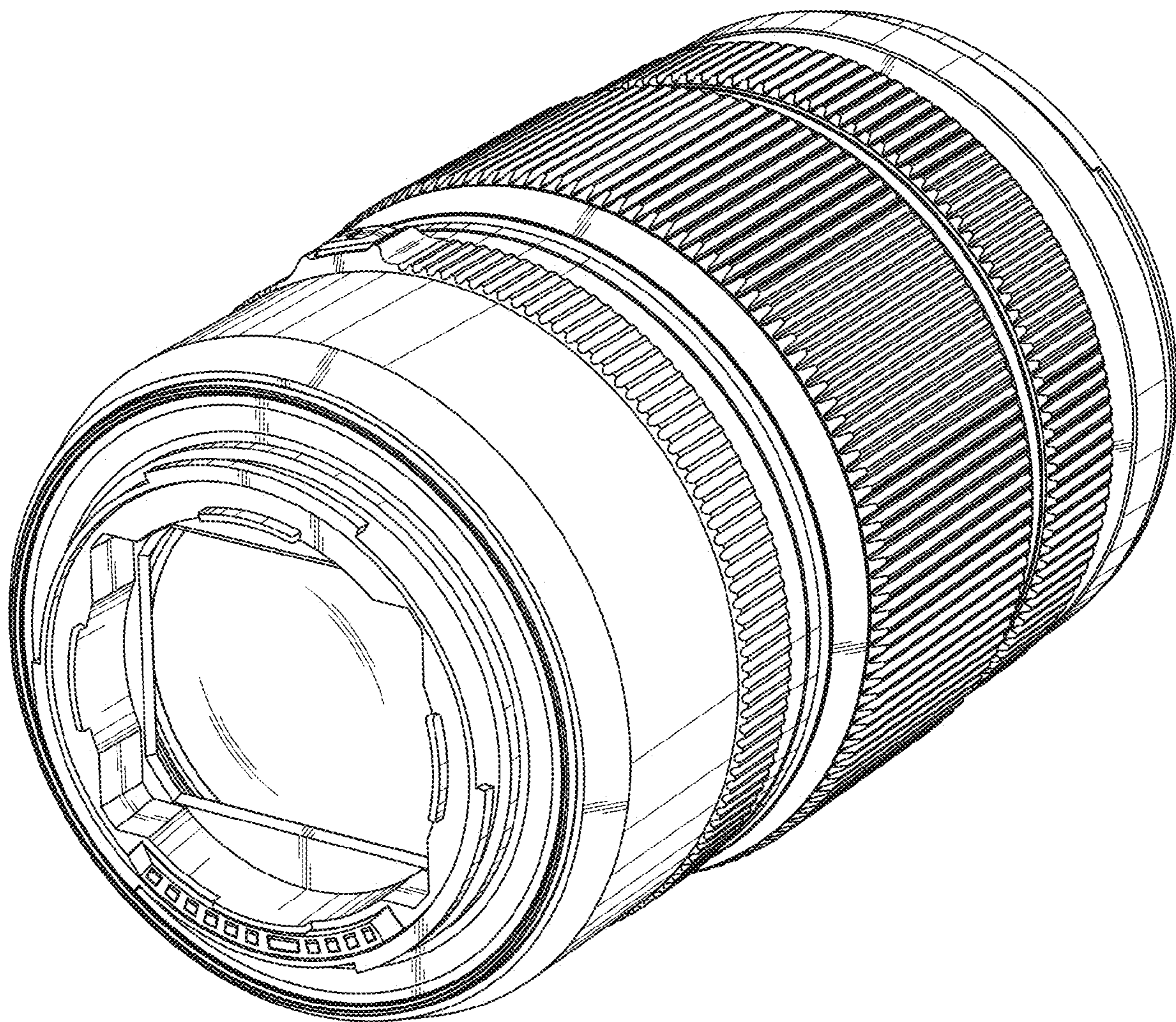




FIG. 3

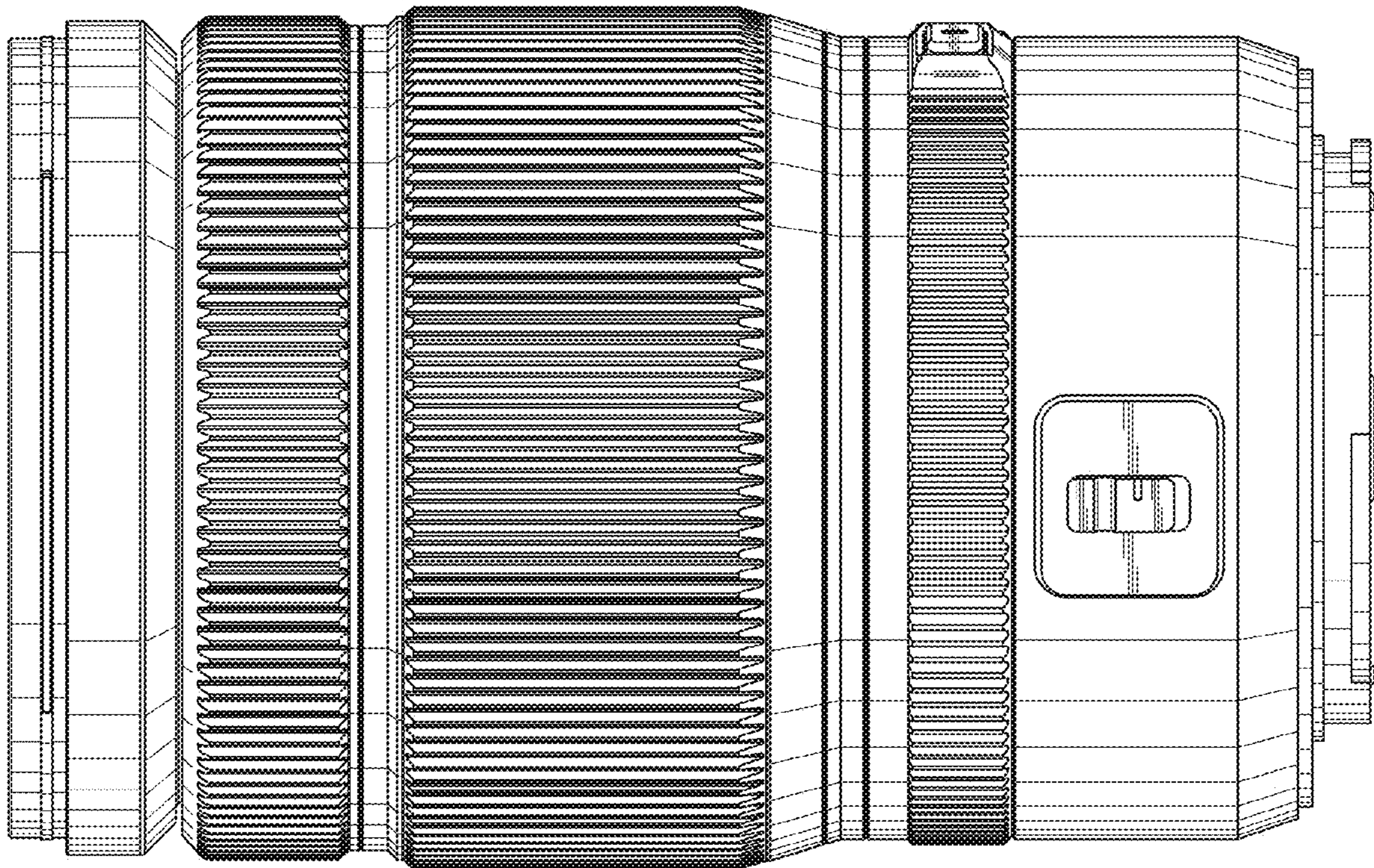


FIG. 4

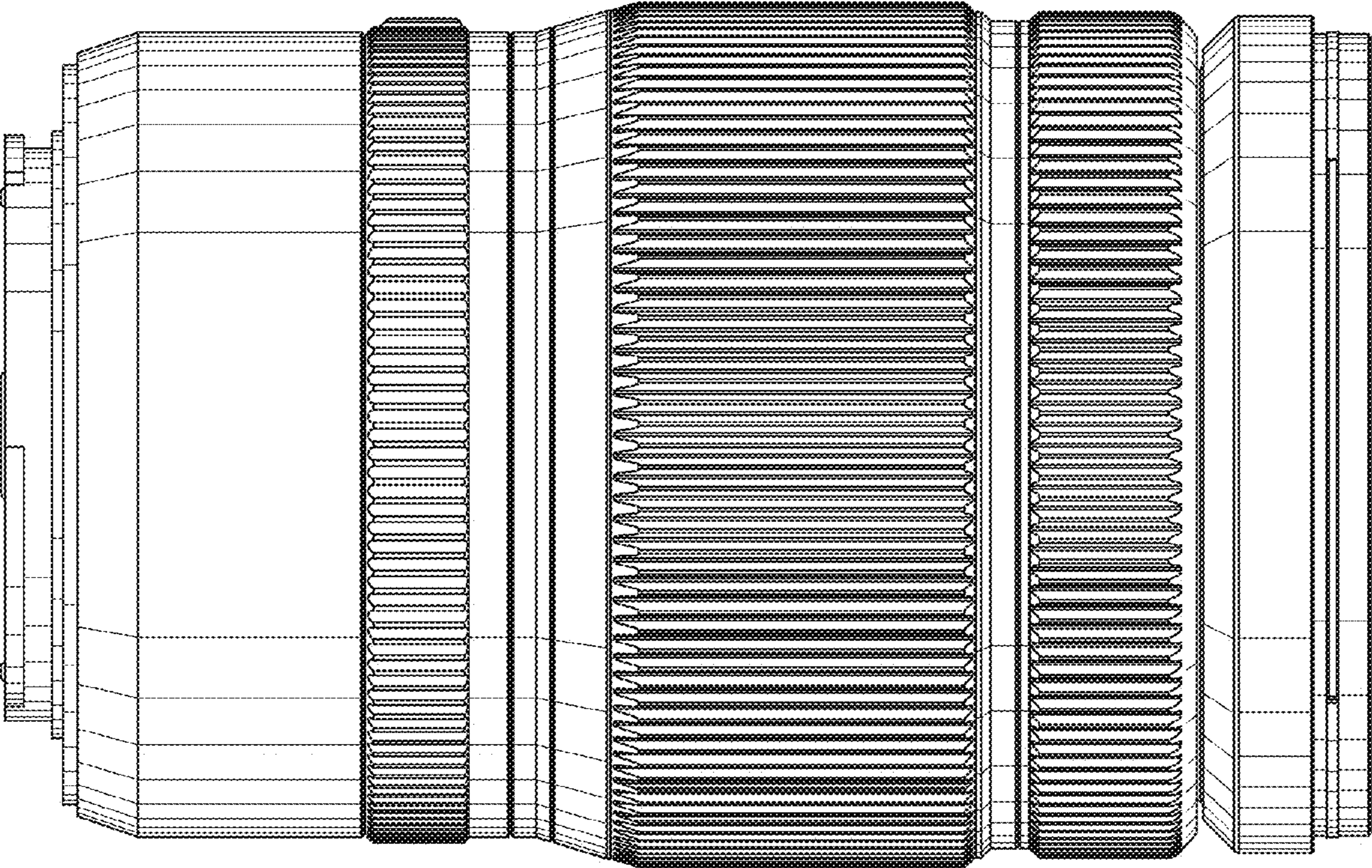




FIG. 5

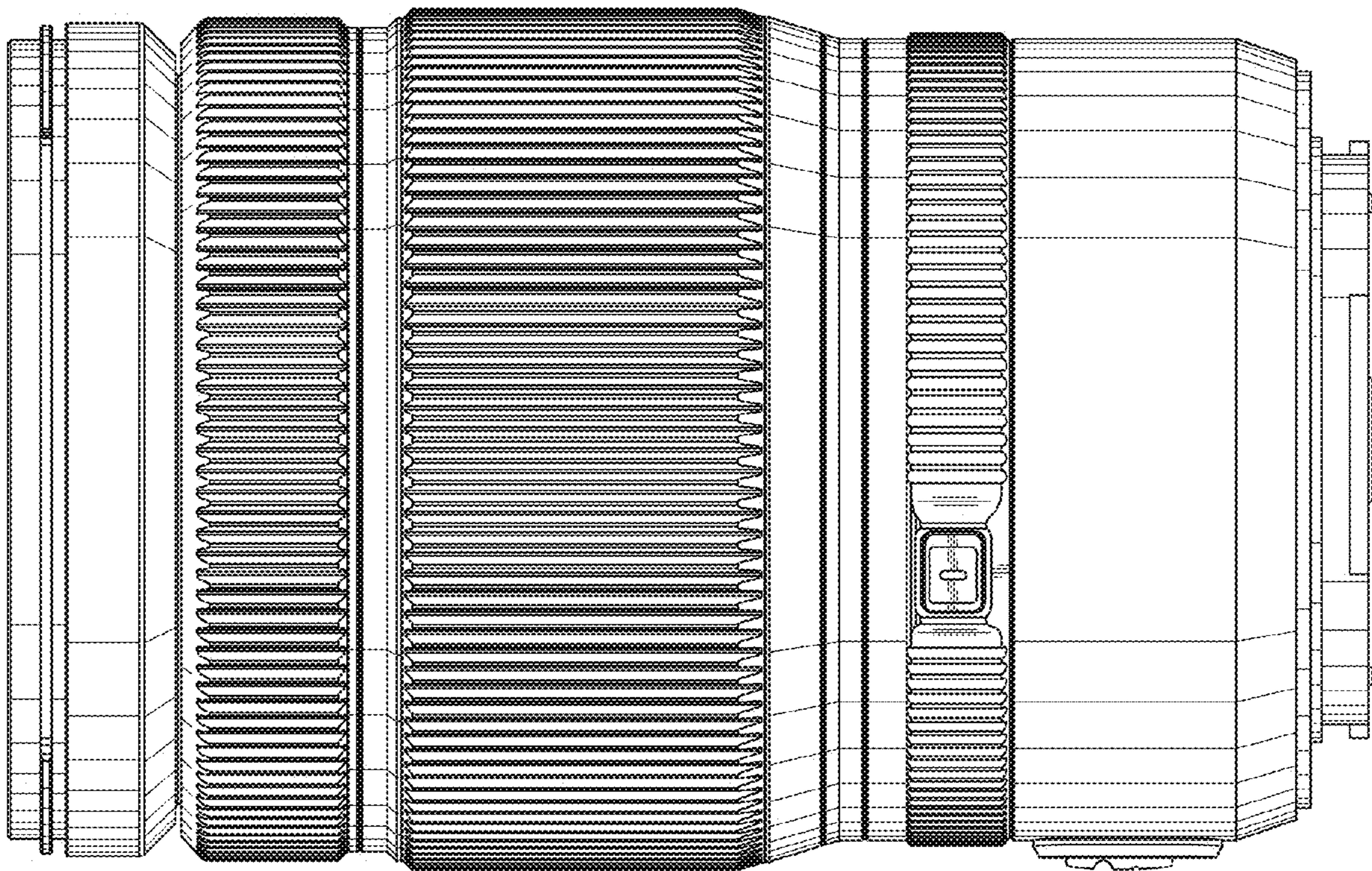
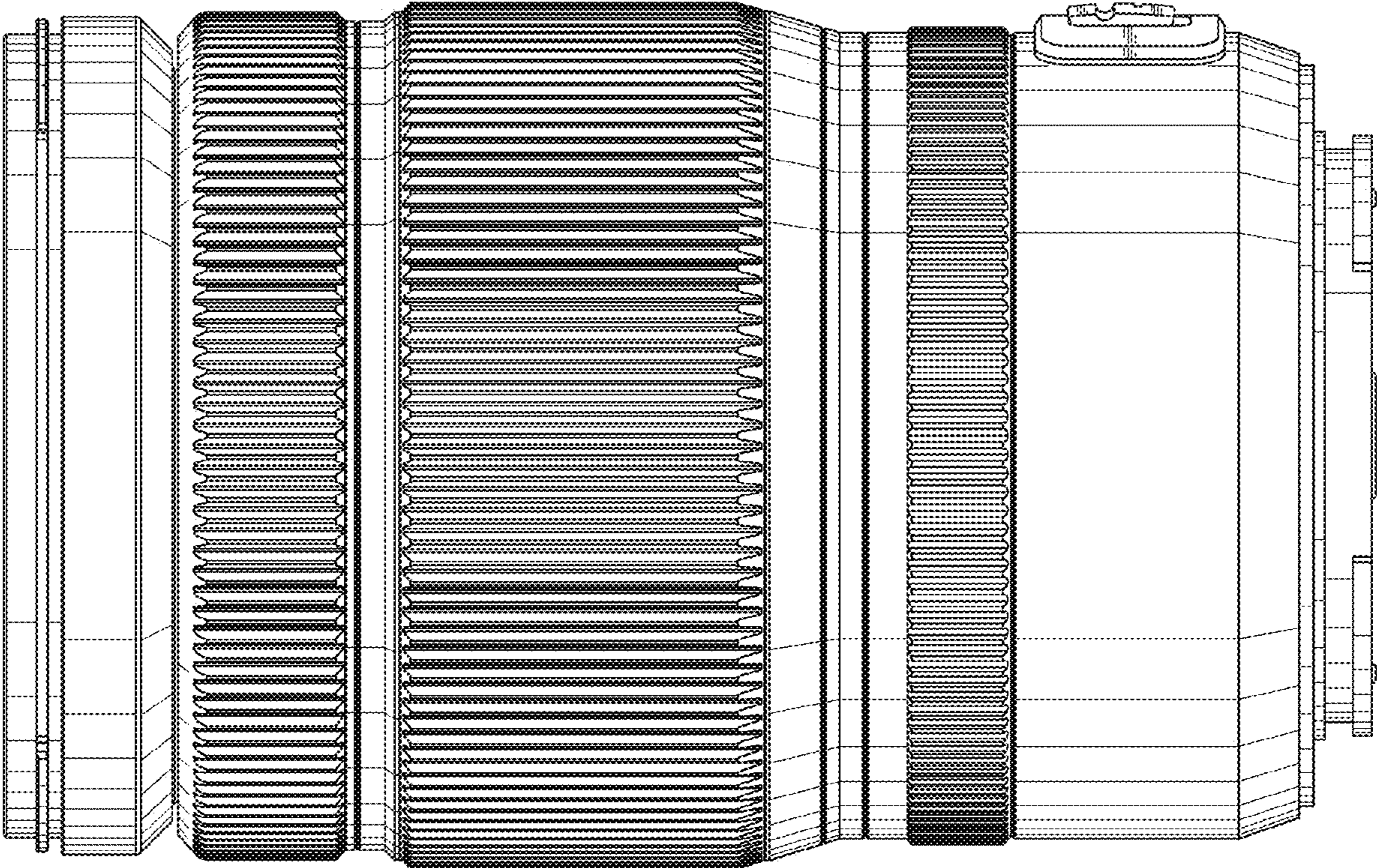
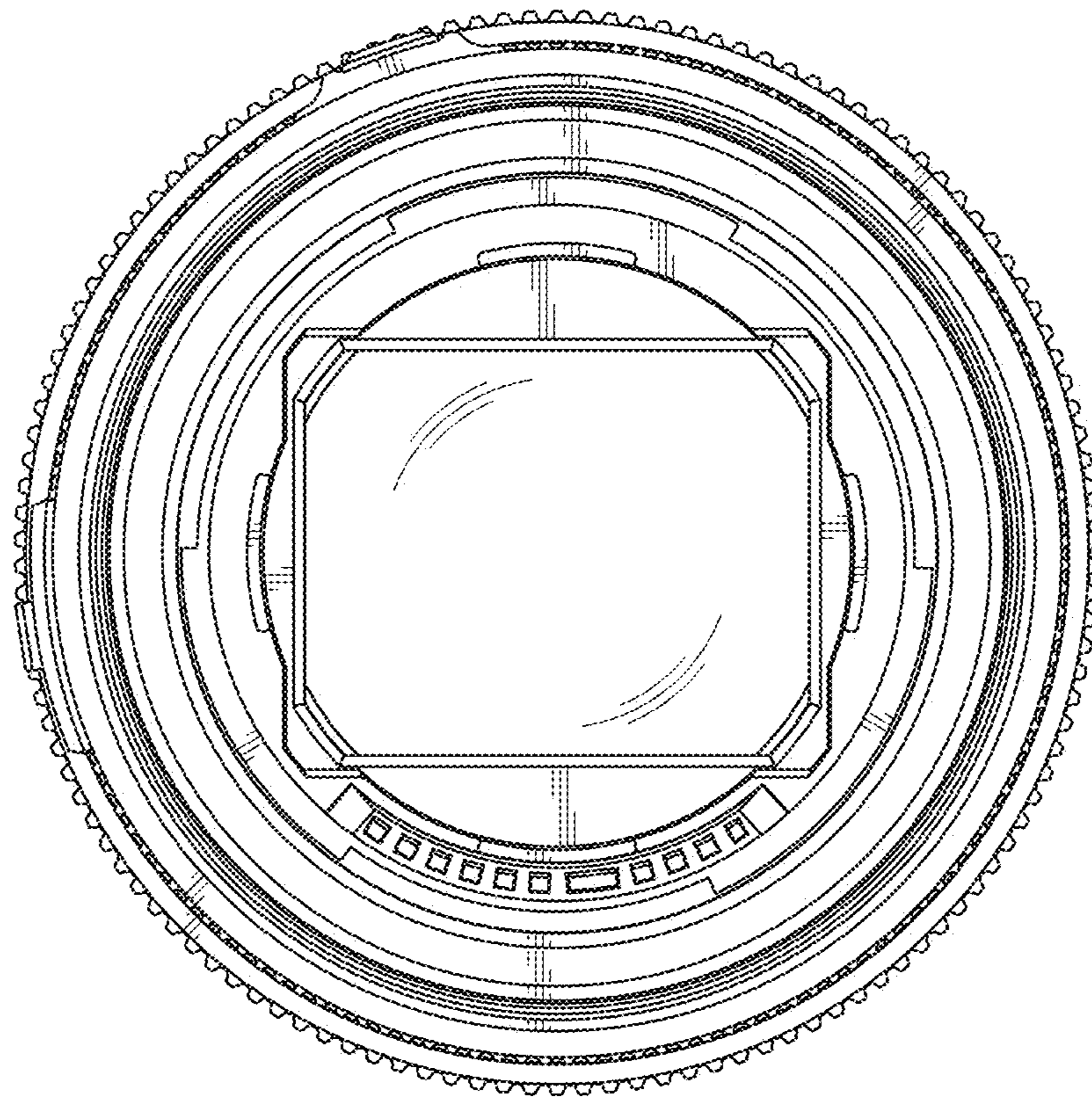


FIG. 6





**FIG. 7**



**FIG. 8**

