



US00D881260S

(12) **United States Design Patent**
Ikegame

(10) **Patent No.:** **US D881,260 S**

(45) **Date of Patent:** **** Apr. 14, 2020**

(54) **LENS FOR CAMERA**

(71) Applicant: **FUJIFILM Corporation**, Tokyo (JP)

(72) Inventor: **Haruka Ikegame**, Saitama (JP)

(73) Assignee: **FUJIFILM Corporation**, Tokyo (JP)

(**) Term: **15 Years**

(21) Appl. No.: **29/680,556**

(22) Filed: **Feb. 18, 2019**

(30) **Foreign Application Priority Data**

Aug. 20, 2018 (JP) 2018-018082

(51) **LOC (12) Cl.** **16-05**

(52) **U.S. Cl.**
USPC **D16/219**

(58) **Field of Classification Search**
USPC D16/134, 136, 200, 202–205, 218, 219,
D16/235, 242; 348/373–376;
359/826–828; 396/529–532, 535,
396/539–541

CPC G03B 17/02; G03B 19/04; G03B 17/56;
G03B 17/04; G03B 15/03; G03B 17/14;
H04N 5/2251; H04N 5/2252; H04N
5/2253; H04N 5/2254; G02B 7/02; G02B
7/04; G02B 7/14

See application file for complete search history.

(56) **References Cited**

U.S. PATENT DOCUMENTS

D665,837 S * 8/2012 Tainaka D16/134
D682,911 S * 5/2013 Ohashi D16/219
D696,709 S * 12/2013 Sato D16/219
D718,362 S * 11/2014 Noh D16/219
D737,359 S * 8/2015 Jung D16/219
D741,936 S * 10/2015 Chu D16/219

D741,937 S * 10/2015 Park D16/219
D741,938 S * 10/2015 Lee D16/219
D744,024 S * 11/2015 Oh D16/219
D764,562 S * 8/2016 Kim D16/219
D836,152 S * 12/2018 Ikegame D16/219
D855,680 S * 8/2019 Ruff D16/219
D865,847 S * 11/2019 Tadesse D16/219

FOREIGN PATENT DOCUMENTS

JP 1446820 S 7/2012

OTHER PUBLICATIONS

An Office Action; “Notification,” issued by the Japanese Patent Office on Feb. 20, 2019, which corresponds to Japanese Design Application No. 2018-018082 and is related to Design U.S. Appl. No. 29/680,556; with English language translation.

* cited by examiner

Primary Examiner — Ramzi S Almatrahi

(74) *Attorney, Agent, or Firm* — Studebaker & Brackett PC

(57) **CLAIM**

The ornamental design for a lens for camera, as shown and described.

DESCRIPTION

FIG. 1 is a top, front and left side perspective view of a lens for camera showing my new design;
FIG. 2 is a top, rear and right side perspective view thereof;
FIG. 3 is a front view thereof;
FIG. 4 is a rear view thereof;
FIG. 5 is a top plan view thereof;
FIG. 6 is a bottom plan view thereof;
FIG. 7 is a right side view thereof; and,
FIG. 8 is a left side view thereof.

1 Claim, 8 Drawing Sheets

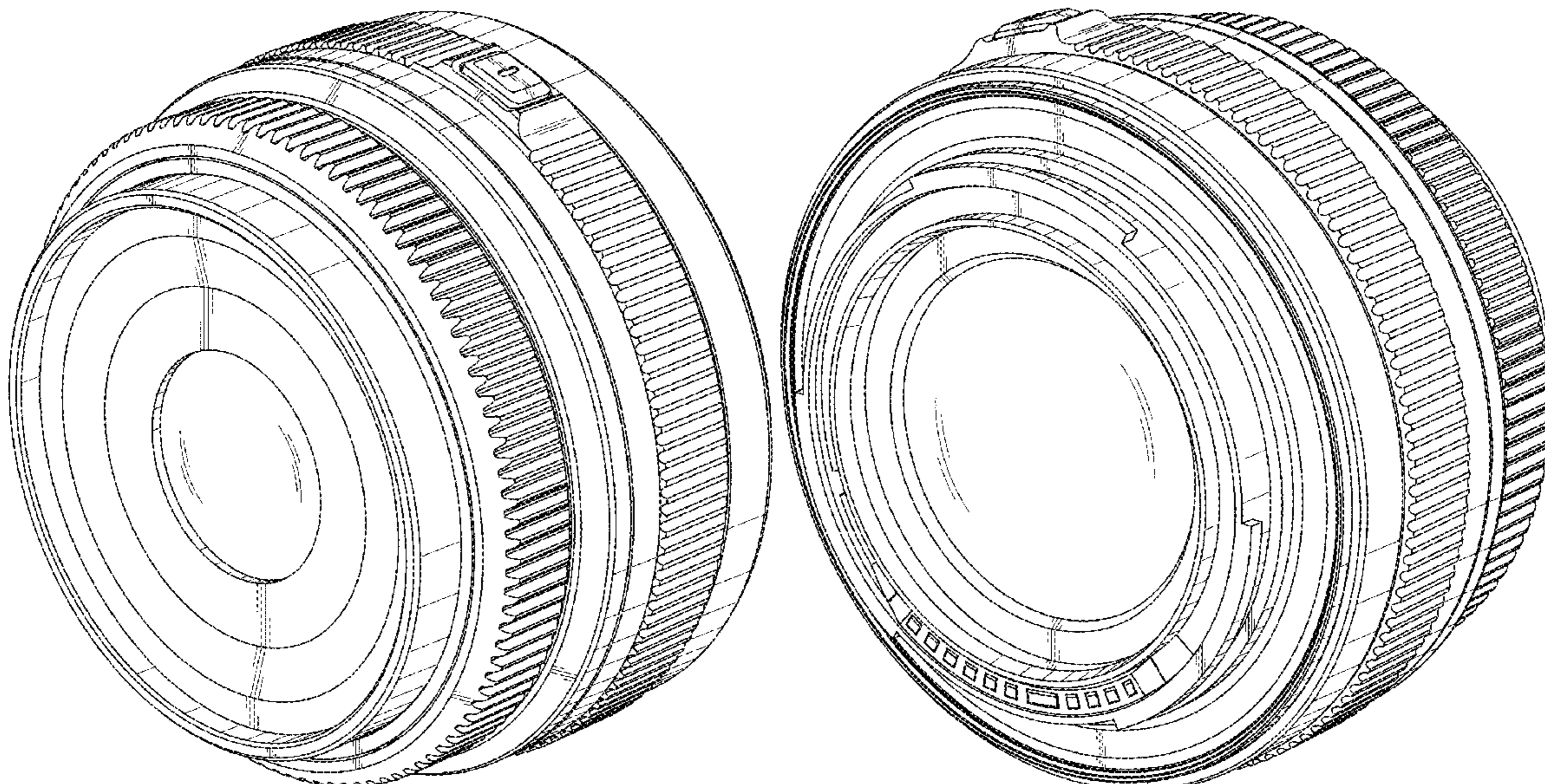


FIG. 1

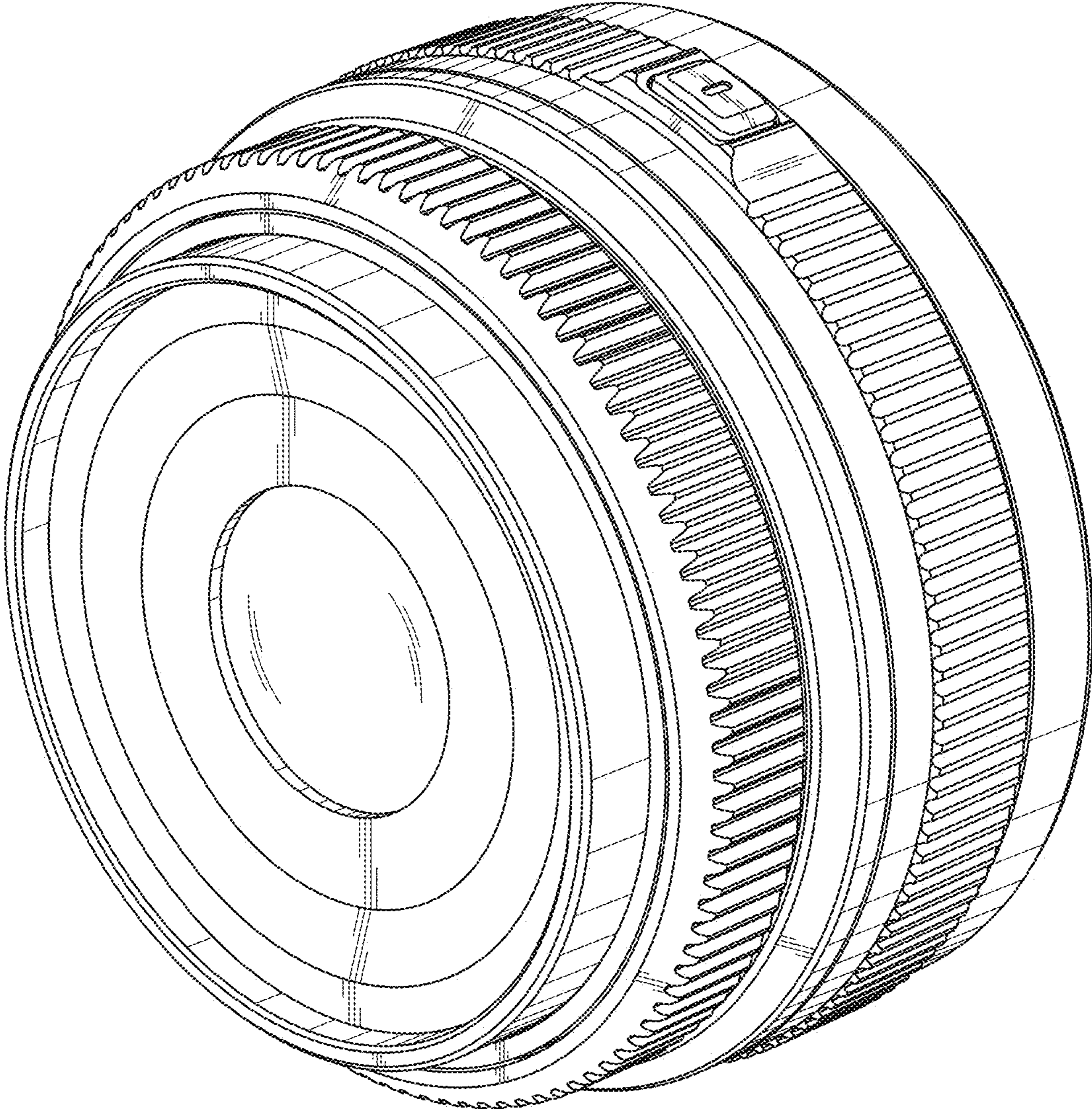


FIG. 2

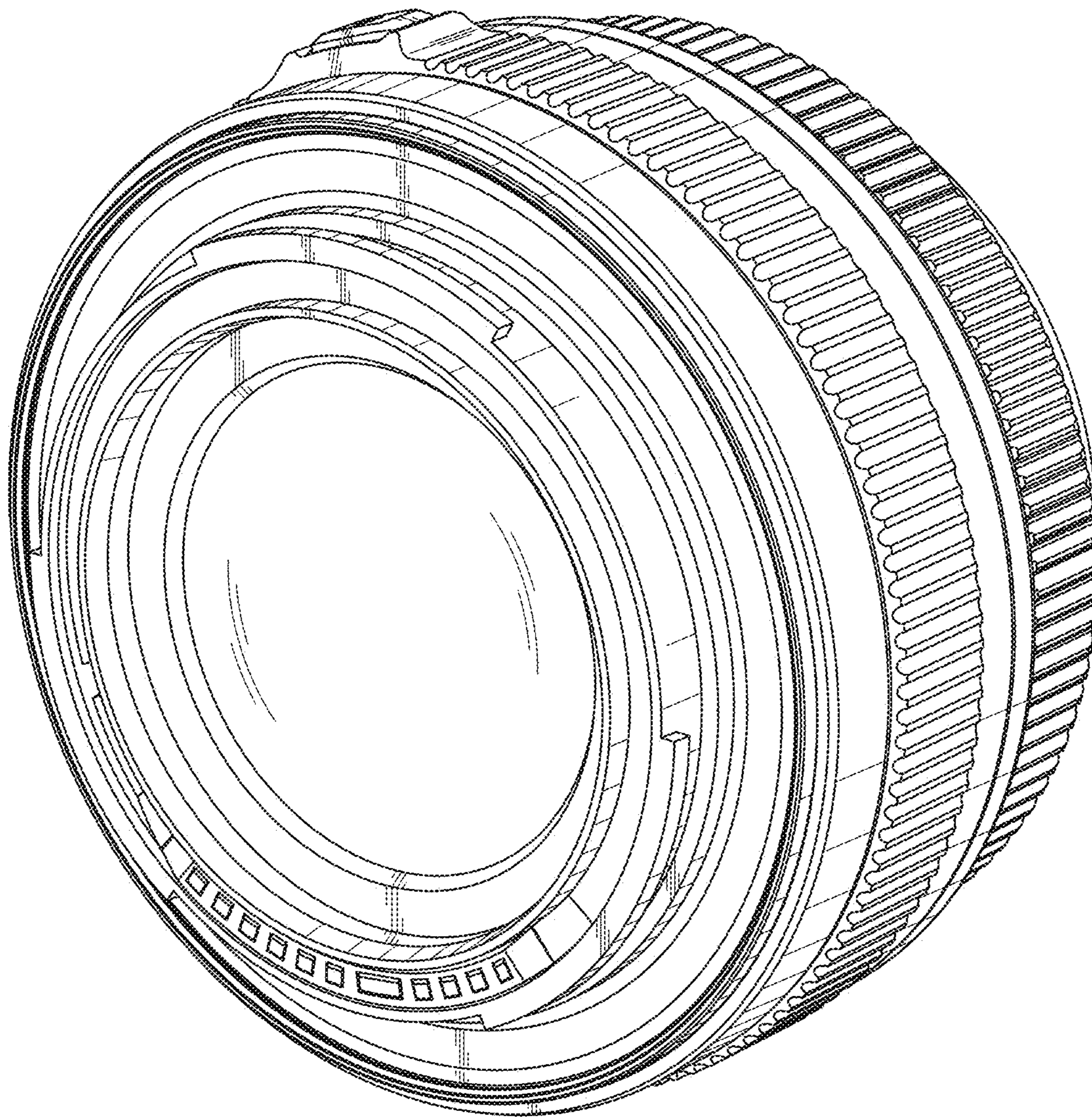


FIG. 3

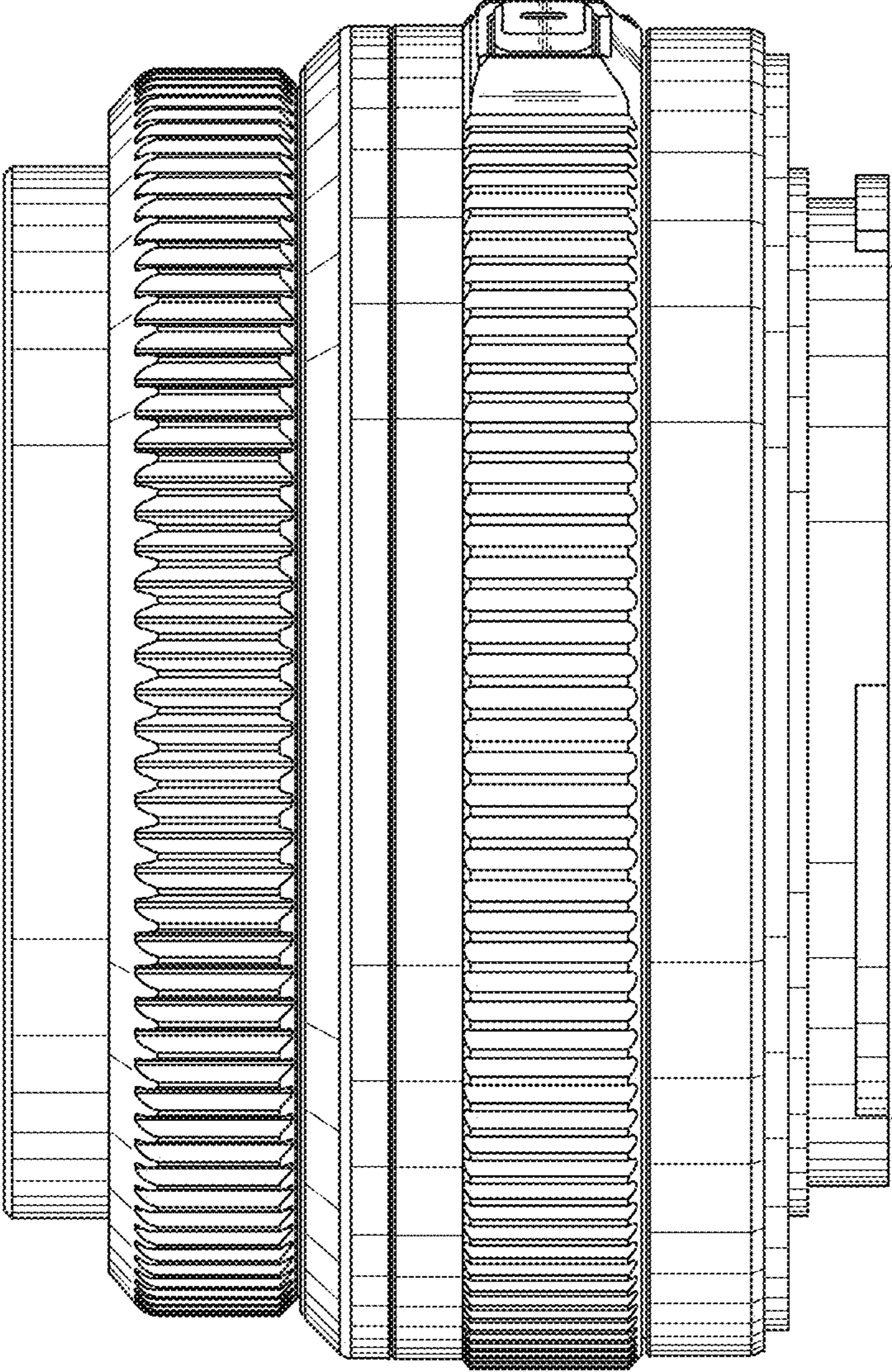


FIG. 4

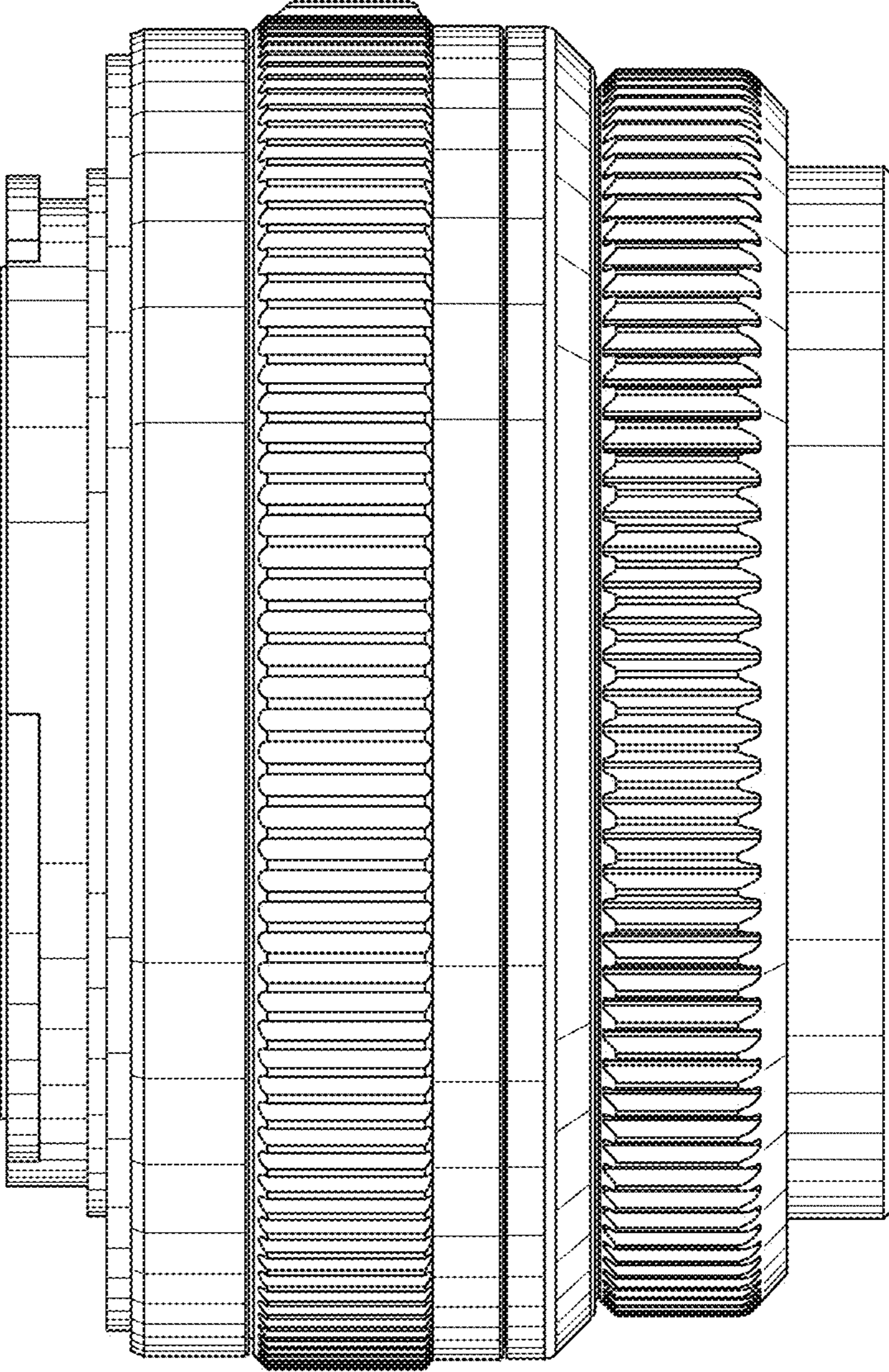


FIG. 5

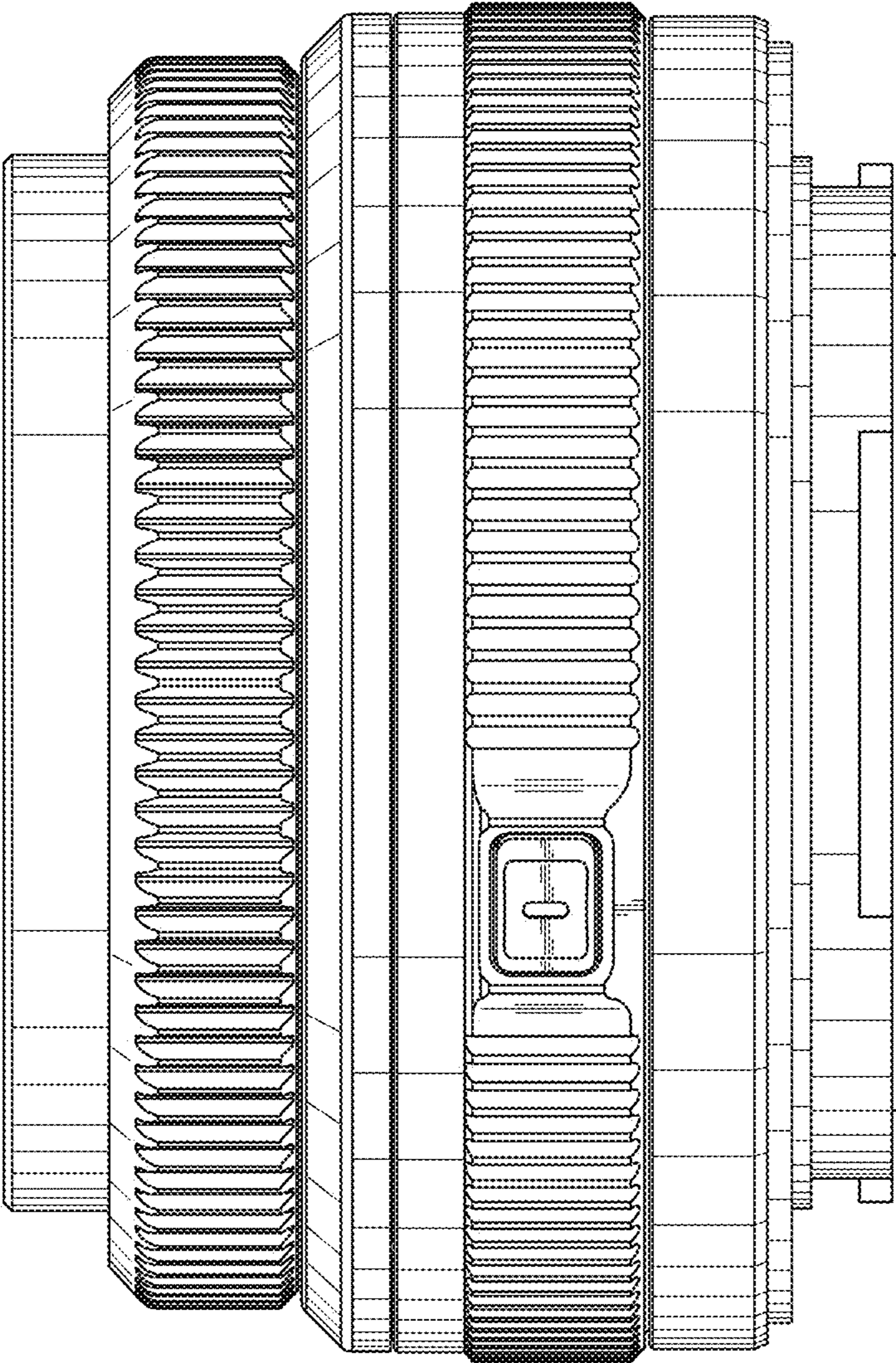


FIG. 6

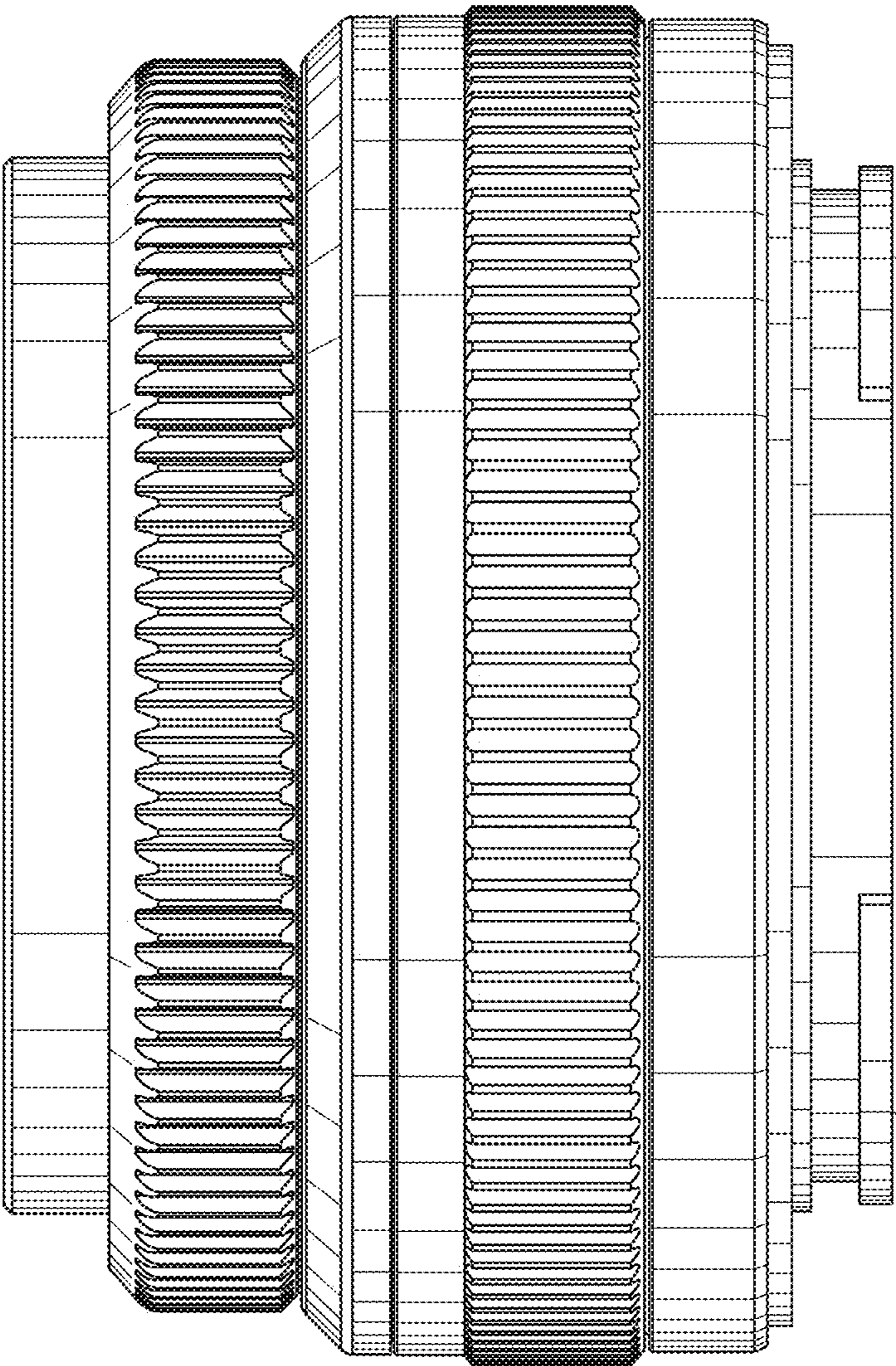


FIG. 7

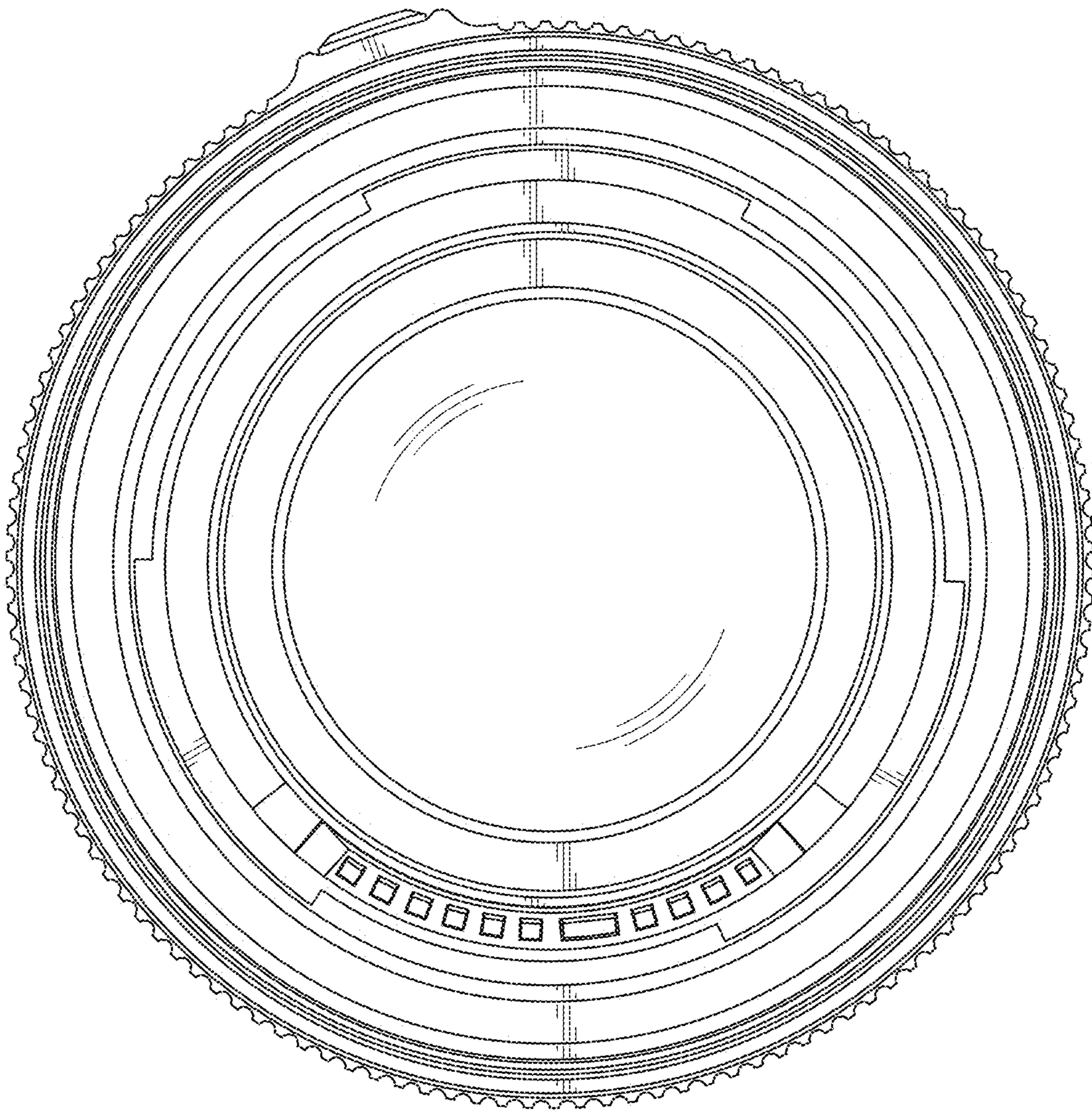


FIG. 8

