



US00D881258S

(12) **United States Design Patent**
Lindquist

(10) **Patent No.:** **US D881,258 S**
(45) **Date of Patent:** **** Apr. 14, 2020**

(54) **PHOTO STATION**

(71) Applicant: **SPEED IDENTITY AB**, Stockholm (SE)

(72) Inventor: **Erik Lindquist**, Österskär (SE)

(73) Assignee: **SPEED IDENTITY AB**, Stockholm (SE)

(**) Term: **15 Years**

(21) Appl. No.: **29/634,439**

(22) Filed: **Jan. 22, 2018**

Related U.S. Application Data

(62) Division of application No. 35/500,452, filed on Dec. 9, 2015 (U.S. filing date under 35 U.S.C. 384), and having an international filing date of Dec. 9, 2015, now Pat. No. Des. 810,807.

(30) **Foreign Application Priority Data**

Jun. 10, 2015 (EM) 002716712

(51) **LOC (12) Cl.** **16-01**

(52) **U.S. Cl.**
USPC **D16/215**

(58) **Field of Classification Search**
USPC D16/215, 237; D25/16; D20/10; D99/32

CPC G03B 15/00; G03B 15/02; G03B 17/02
See application file for complete search history.

(56) **References Cited**

U.S. PATENT DOCUMENTS

D408,835 S 4/1999 Tiedemann
D434,582 S 12/2000 Heiny

D438,257 S 2/2001 Mellgren
D438,569 S 3/2001 Hofmann
D471,113 S 3/2003 Merk
D472,581 S * 4/2003 Summers et al. D20/10
D475,985 S 6/2003 Huang
D487,435 S 3/2004 Huang
D512,698 S * 12/2005 Augenbraun et al. D14/130
D671,542 S 11/2012 Siekmann
D701,508 S * 3/2014 Bauermeister D14/384
D727,992 S 4/2015 Tu
D731,575 S 6/2015 Moss
D732,521 S * 6/2015 Chadbourne et al. D14/307
D781,843 S 3/2017 Horn
D800,715 S * 10/2017 Kane et al. D14/307
D836,625 S * 12/2018 Szeredi et al. D14/307

* cited by examiner

Primary Examiner — Holly E Thurman

(74) *Attorney, Agent, or Firm* — Tucker Ellis LLP

(57) **CLAIM**

The ornamental design for a photo station, as shown and described.

DESCRIPTION

FIG. 1 is a perspective view of a photo station showing my new design.

FIG. 2 is a top view thereof.

FIG. 3 is a rear view thereof.

FIG. 4 is a left side view thereof.

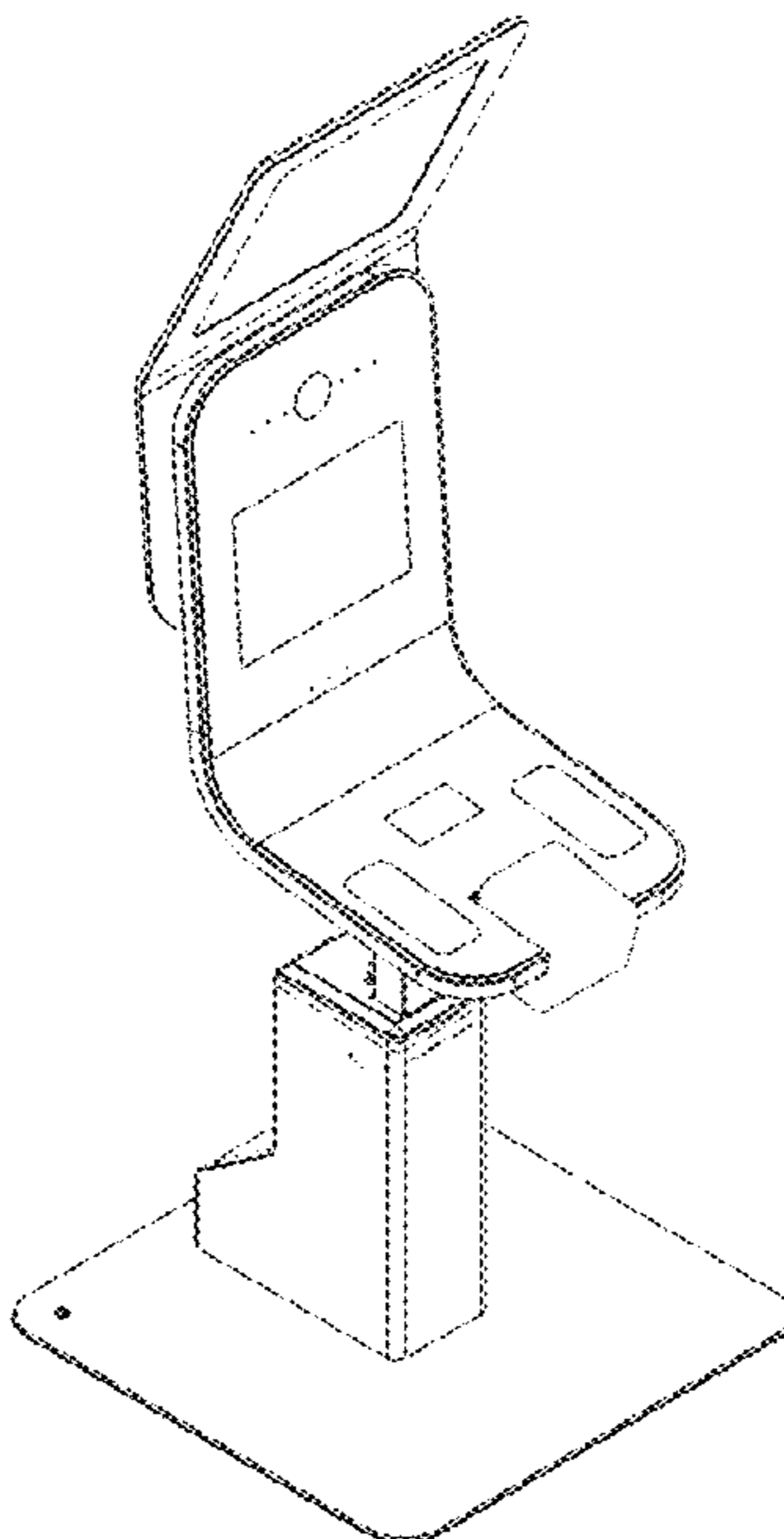
FIG. 5 is a front view thereof.

FIG. 6 is a right side view thereof; and,

FIG. 7 is a bottom view thereof.

The broken lines are for the purpose of illustrating portions of the photo station and form no part of the claimed design.

1 Claim, 6 Drawing Sheets



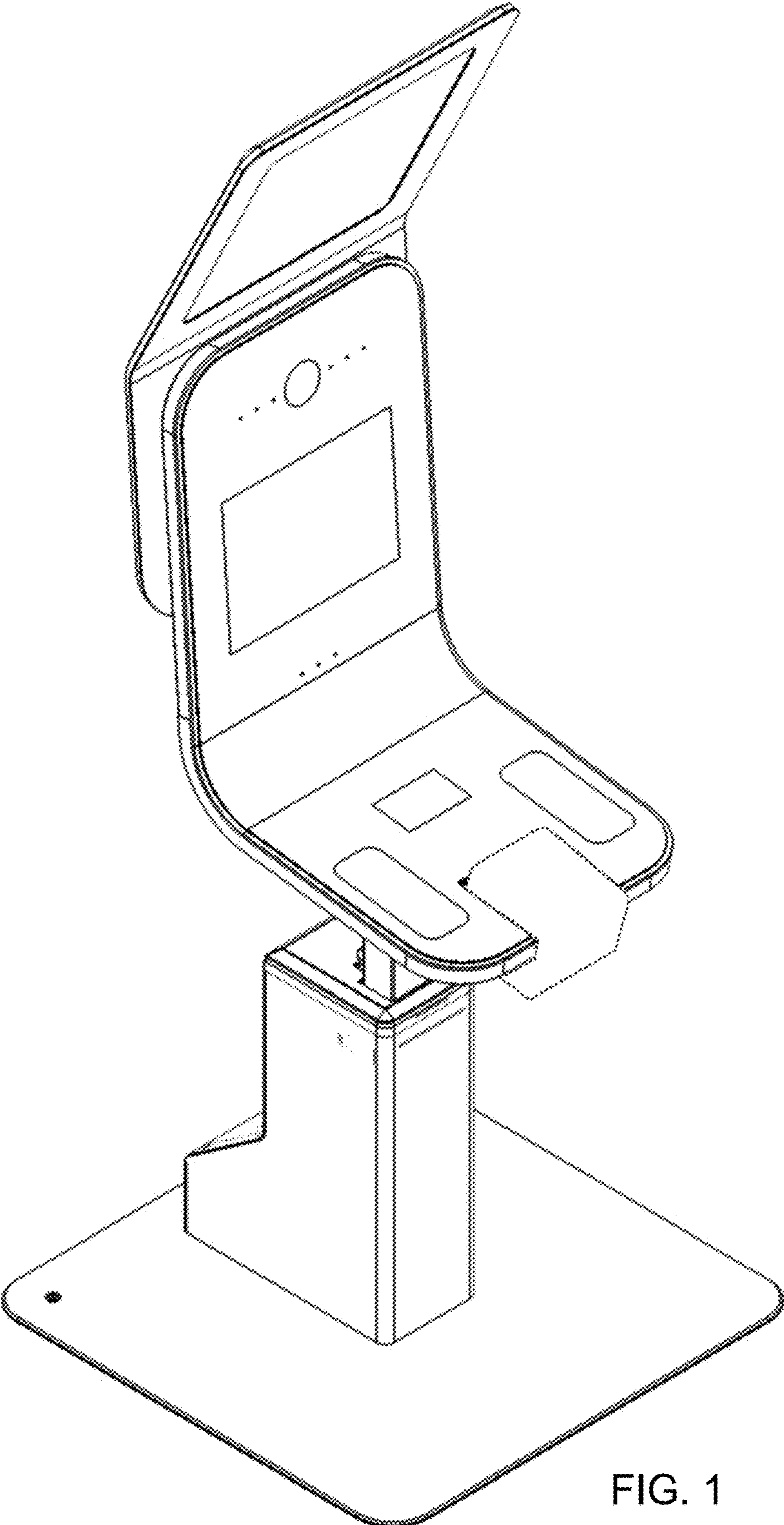


FIG. 1

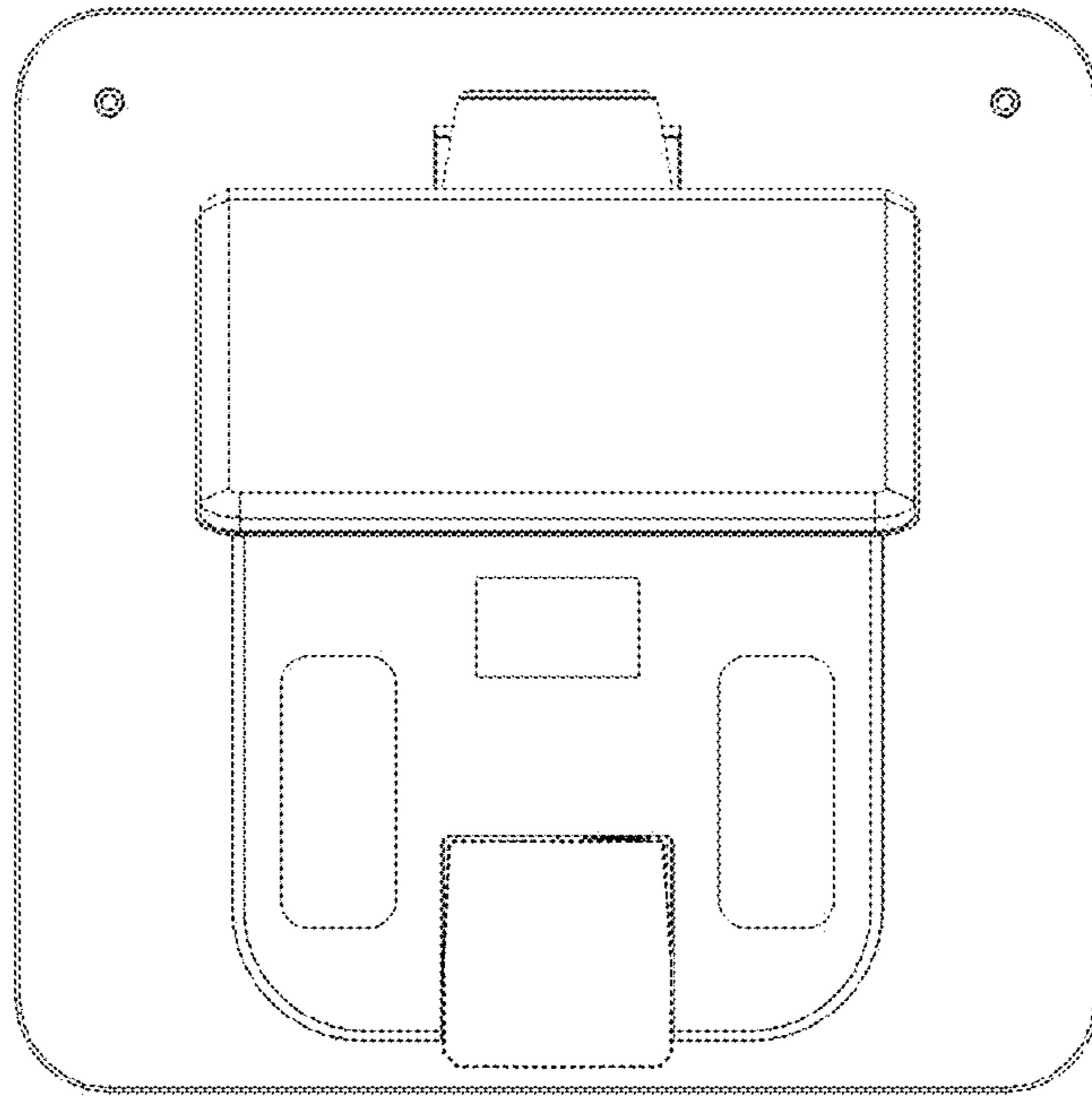


FIG. 2

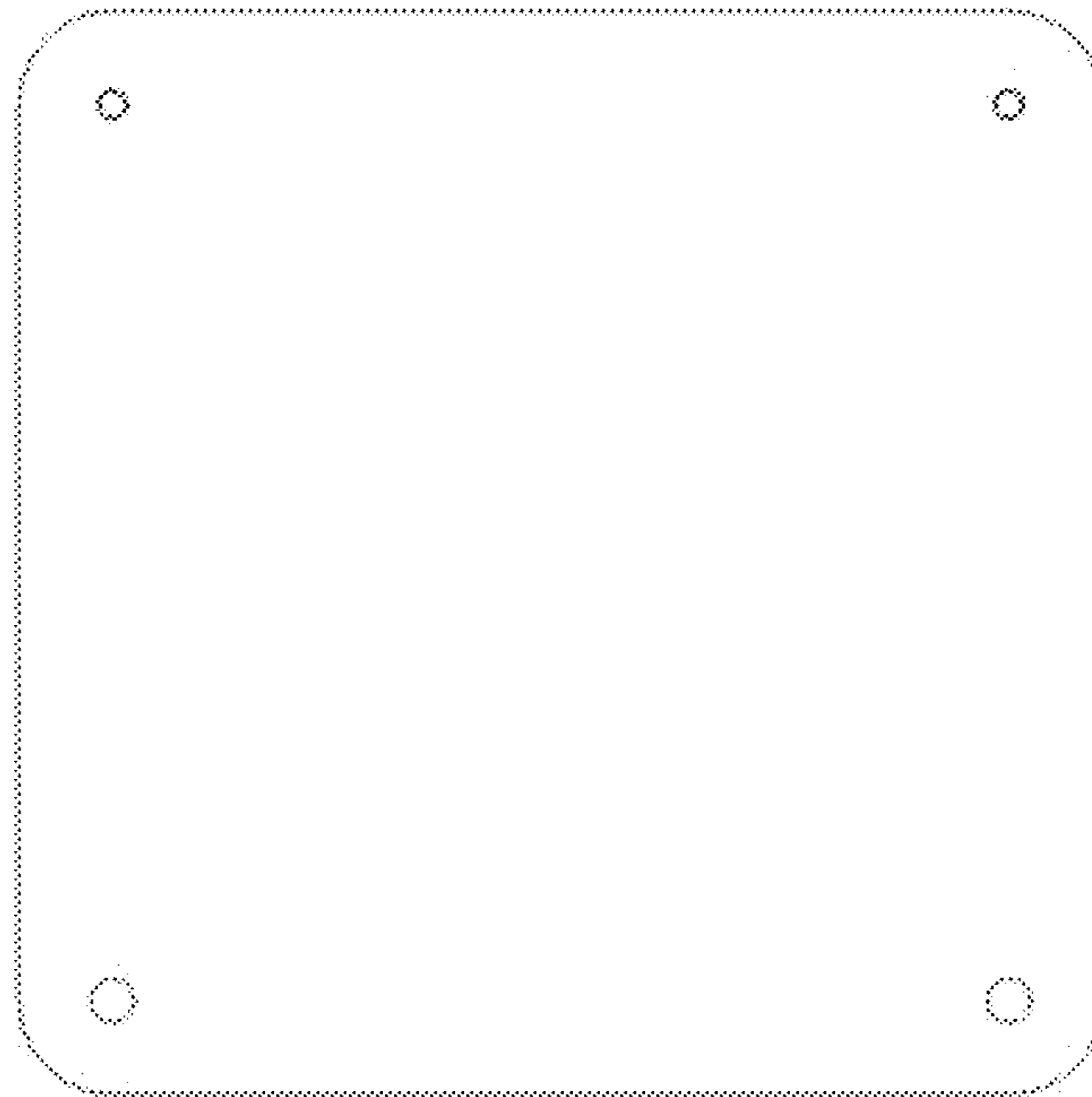


FIG. 7

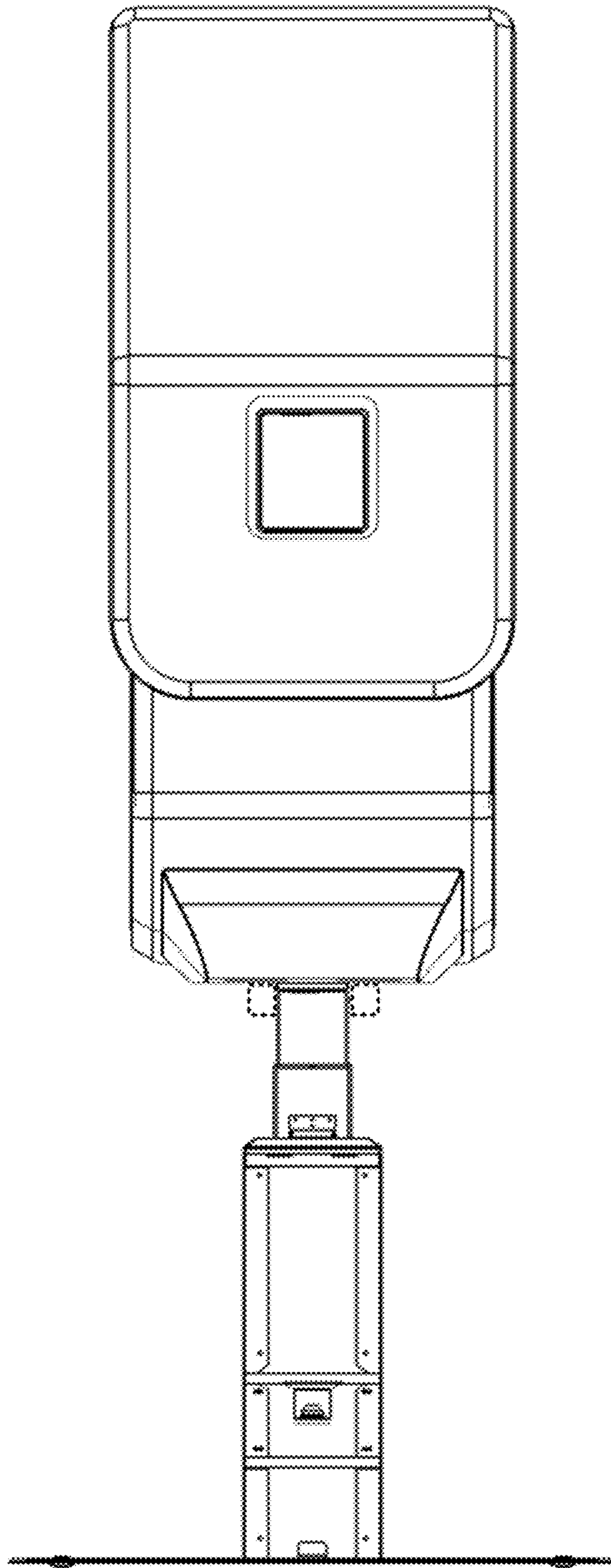


FIG. 3

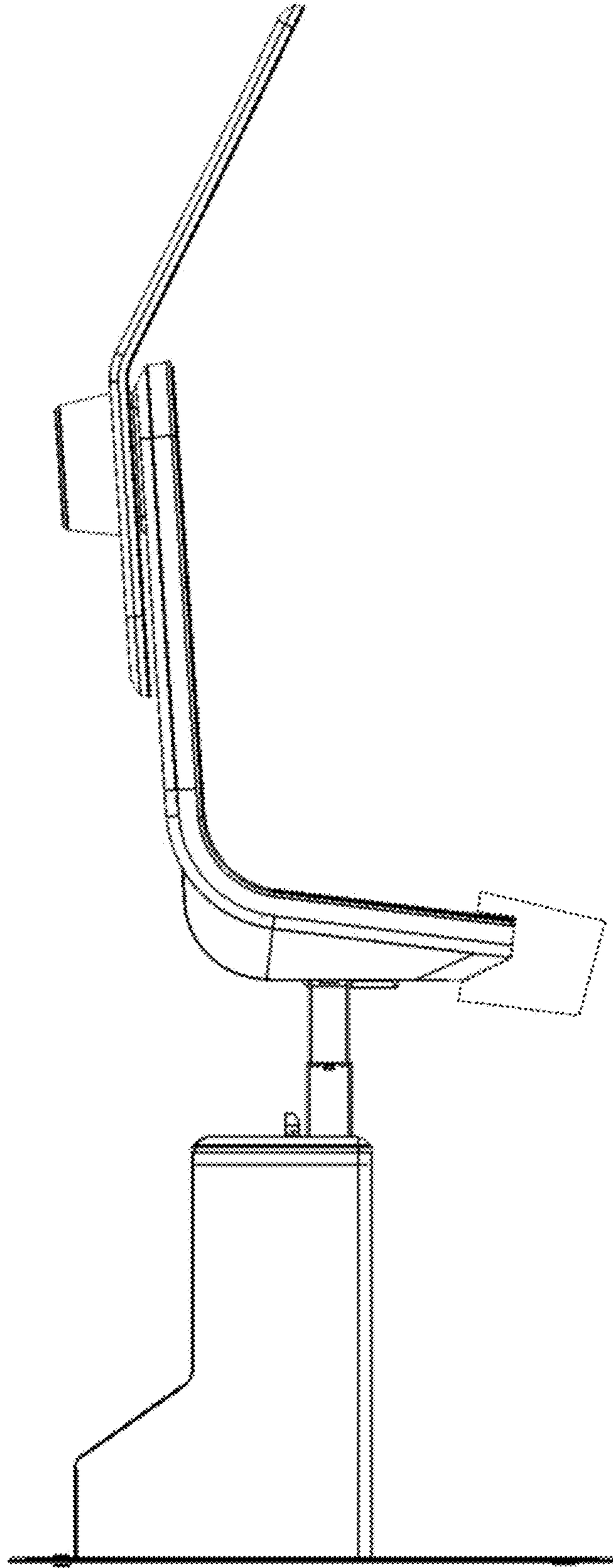


FIG. 4

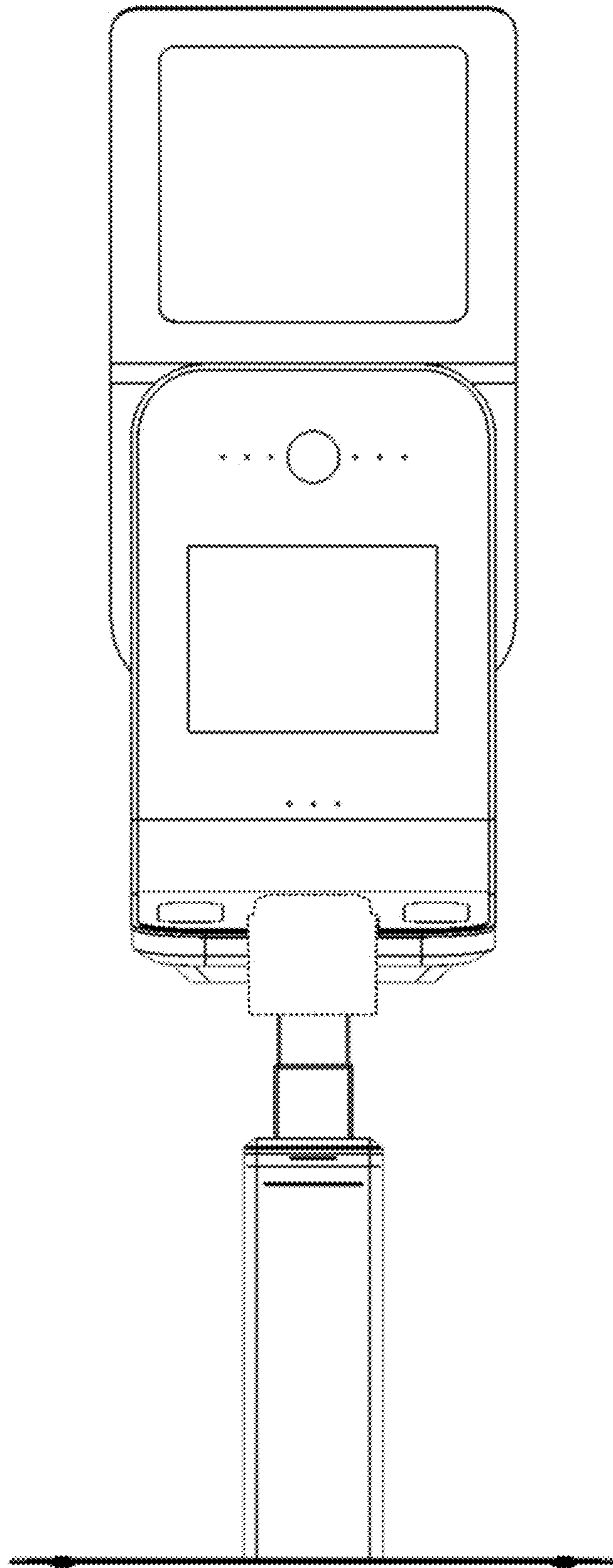


FIG. 5

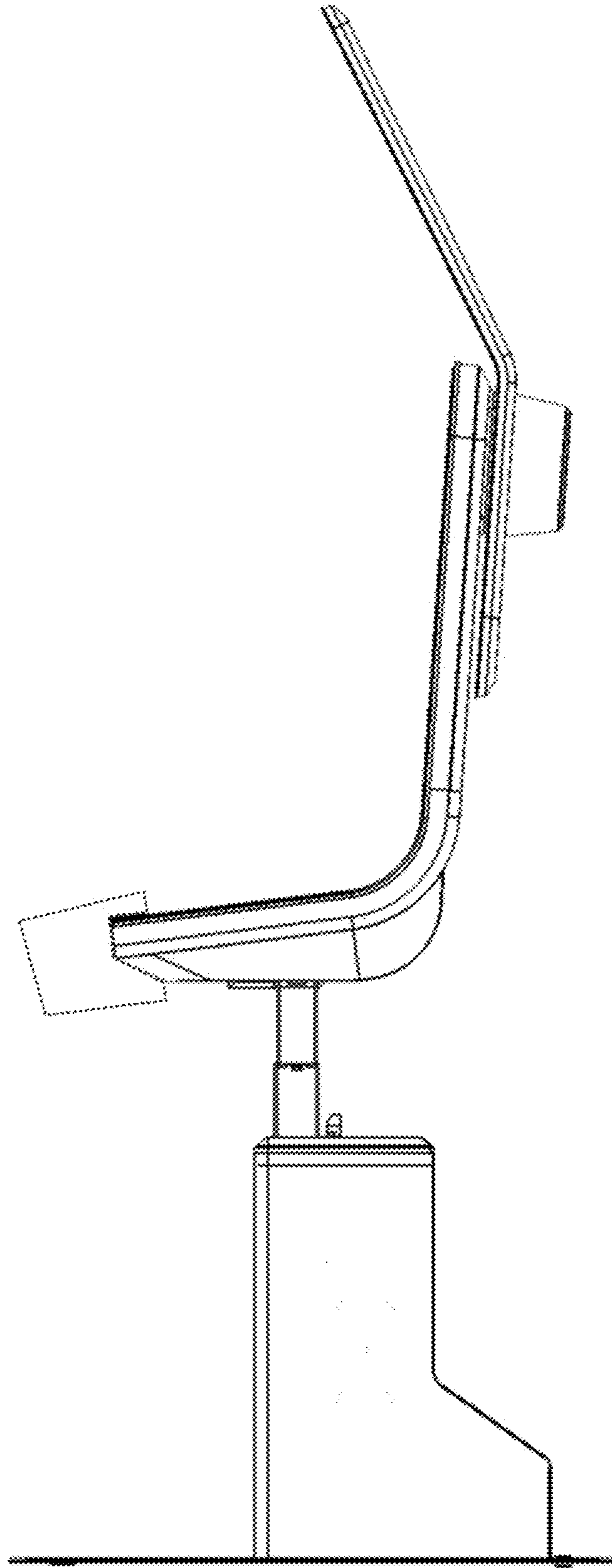


FIG. 6