



US00D881253S

(12) **United States Design Patent**
Tang

(10) **Patent No.:** **US D881,253 S**

(45) **Date of Patent:** **** Apr. 14, 2020**

(54) **CAR KEY SHAPED CAMERA**

(71) Applicant: **Yijun Tang**, Changsha (CN)

(72) Inventor: **Yijun Tang**, Changsha (CN)

(**) Term: **15 Years**

(21) Appl. No.: **29/712,950**

(22) Filed: **Nov. 13, 2019**

(51) **LOC (12) Cl.** **16-01**

(52) **U.S. Cl.**

USPC **D16/201**; D16/208; D13/168

(58) **Field of Classification Search**

USPC D3/207–208, 212; D16/200–205, 208,

D16/218, 219; D13/168, 171;

D10/104.1, 106.1; 348/373–376

CPC G03B 15/03; G03B 17/02; G03B 17/04;

G03B 17/56; G03B 19/04; H04N 5/2251;

H04N 5/2252; H04N 5/2253; H04N

5/2254; E05B 19/00; E05B 19/0023;

E05B 19/0082; E05B 19/04; E05B

19/043; H01H 9/02; H01H 9/0214; H01H

9/0235; B60R 25/00; B60R 25/104; B60R

2225/00

See application file for complete search history.

(56) **References Cited**

U.S. PATENT DOCUMENTS

D560,352 S * 1/2008 Cadiz D3/208

D583,772 S * 12/2008 To D13/168

D604,041 S * 11/2009 Fleming D3/207

D622,674 S * 8/2010 Maier D13/168

D725,607 S * 3/2015 Kandler D13/168

D733,074 S * 6/2015 Kandler D13/168

D734,607 S * 7/2015 Leetz D3/207

D742,953 S 11/2015 Li

D747,386 S 1/2016 Li

D782,985 S * 4/2017 Mishan D13/168

D803,792 S * 11/2017 Houdek D13/168

D822,376 S * 7/2018 Konotopskyi D3/208

D844,574 S * 4/2019 Kandler D13/168

D848,508 S * 5/2019 Hsu

D855,576 S * 8/2019 Yang D13/168

D861,619 S * 10/2019 Houdek D13/168

* cited by examiner

Primary Examiner — Ramzi S Almatrahi

(74) *Attorney, Agent, or Firm* — HYIP

(57) **CLAIM**

The ornamental design for a car key shaped camera, as shown and described.

DESCRIPTION

FIG. 1 is a front perspective view of a car key shaped camera showing my new design;

FIG. 2 is a back perspective view thereof;

FIG. 3 is a front view thereof;

FIG. 4 is a back view thereof;

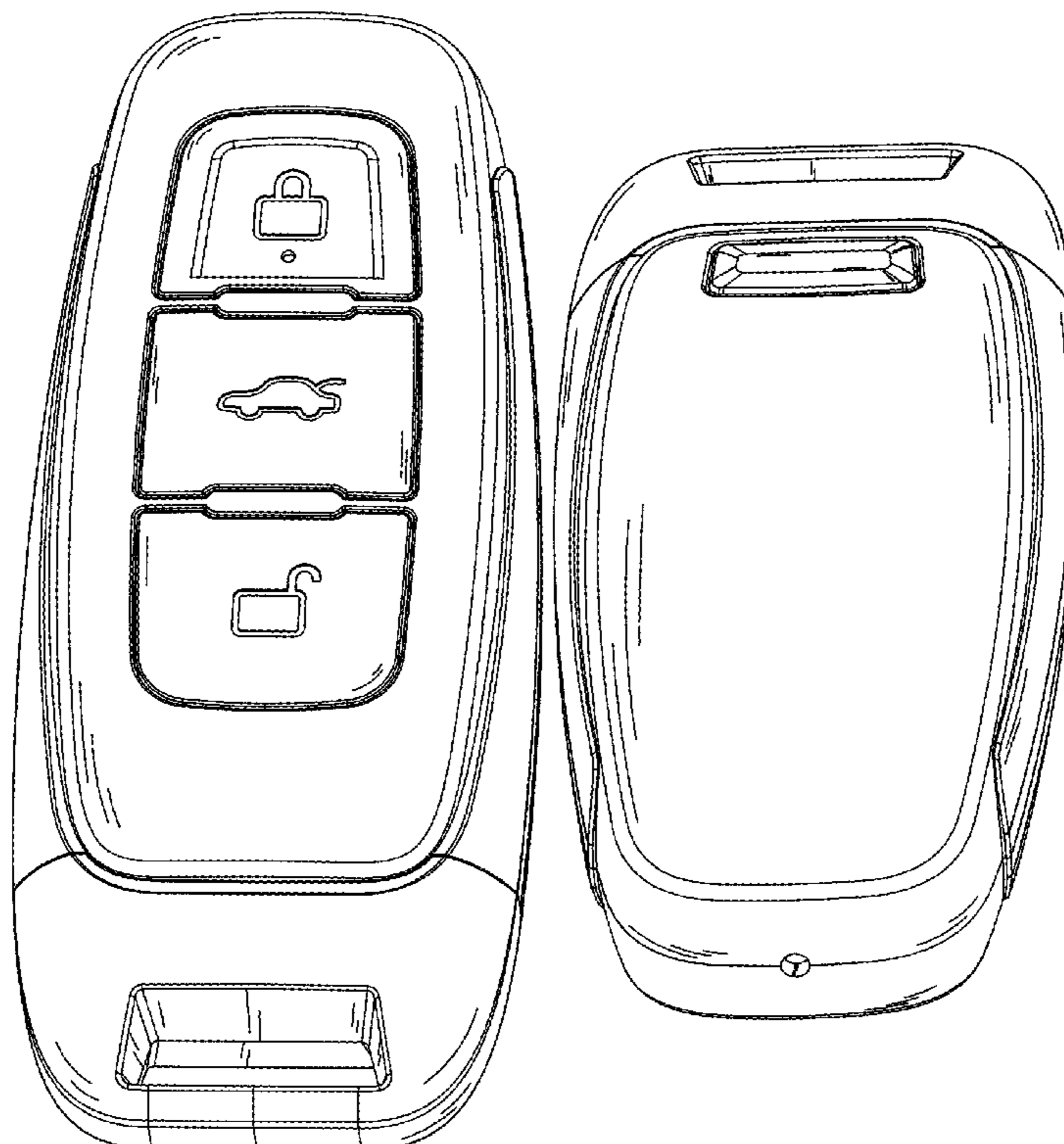
FIG. 5 is a left side view thereof;

FIG. 6 is a right side view thereof;

FIG. 7 is a top view thereof; and,

FIG. 8 is a bottom view thereof.

1 Claim, 8 Drawing Sheets



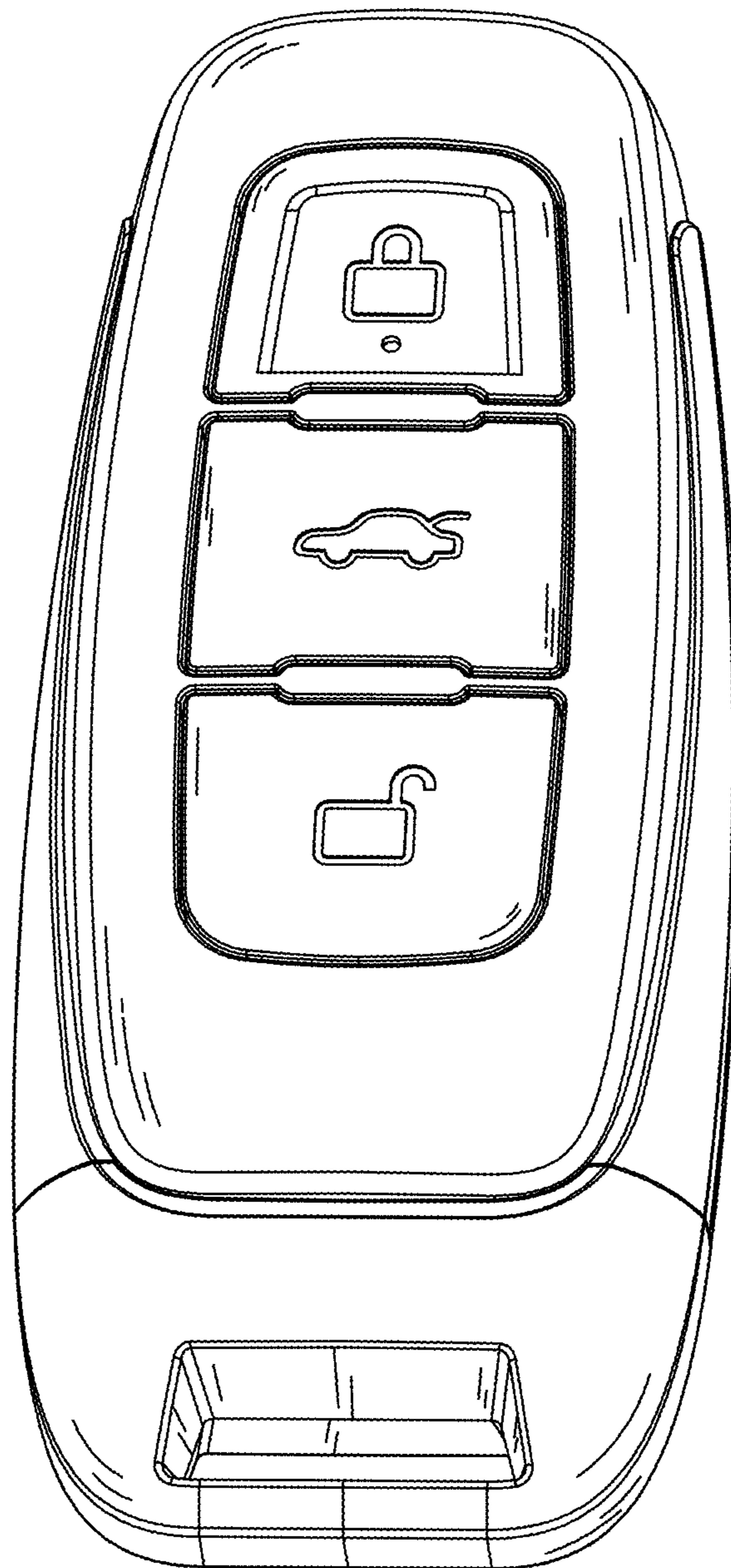


FIG. 1

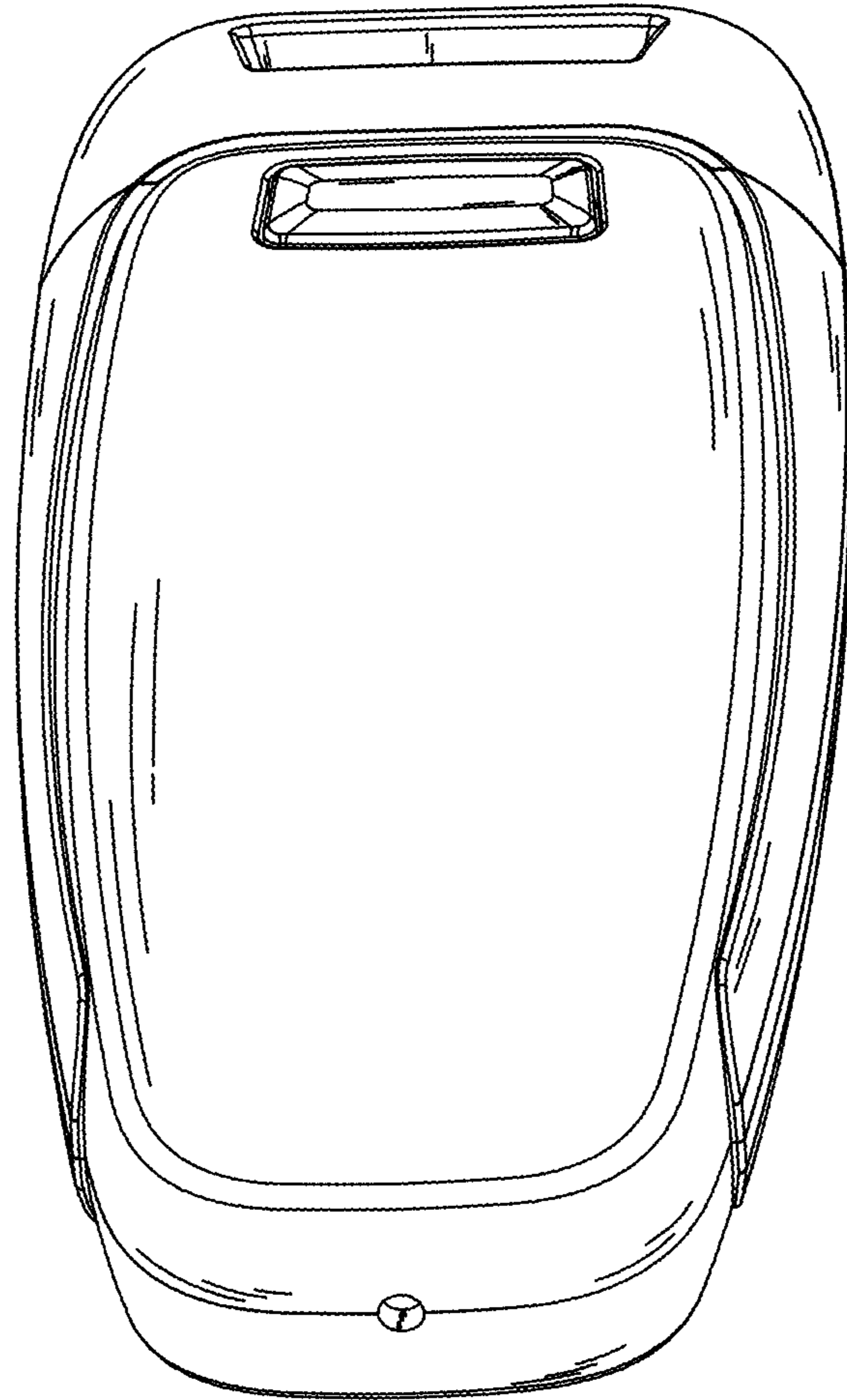


FIG. 2

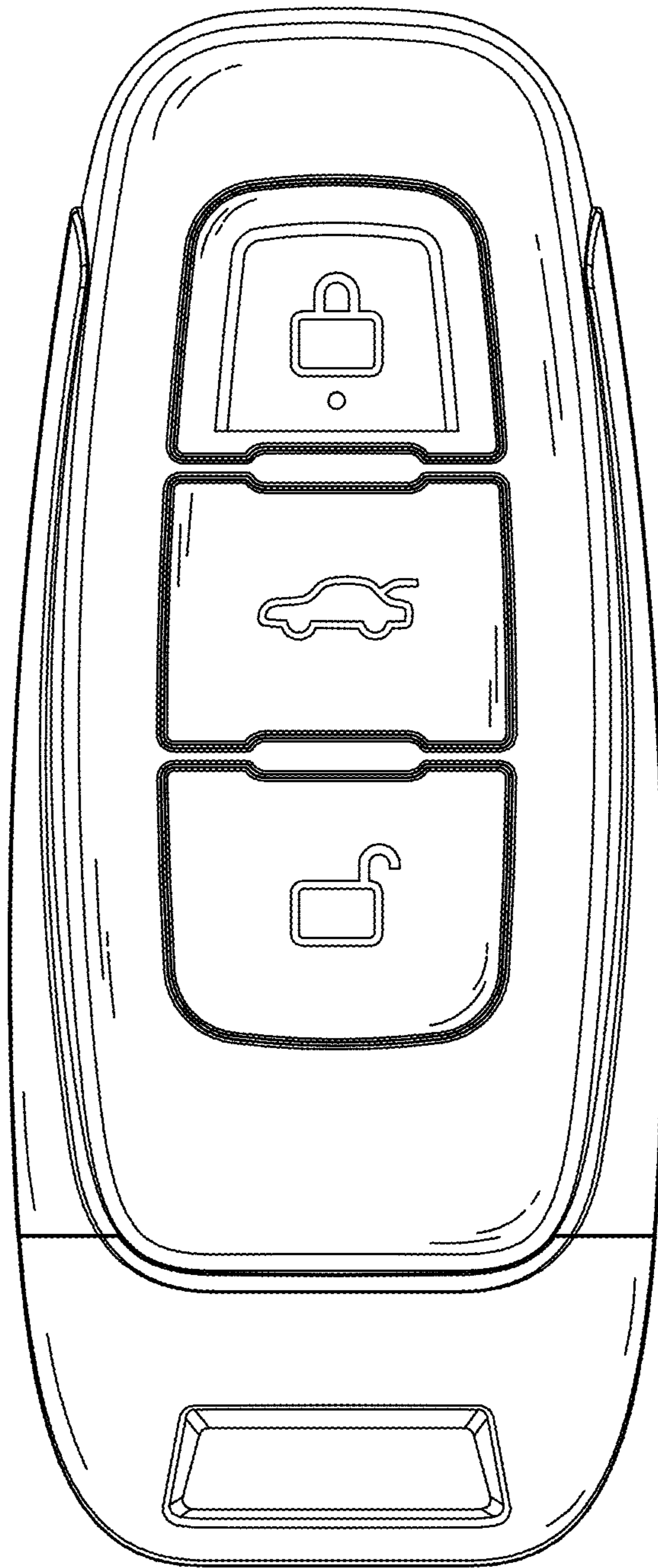


FIG. 3

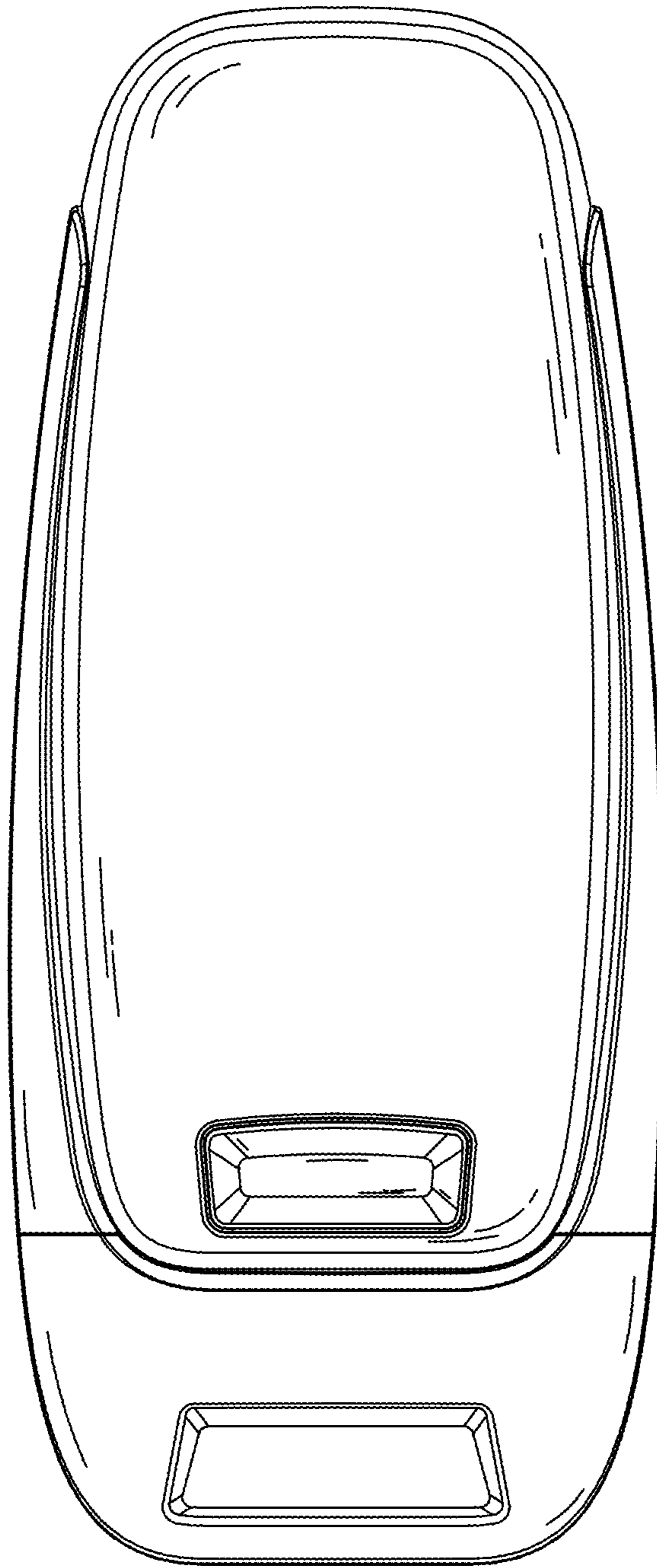


FIG. 4

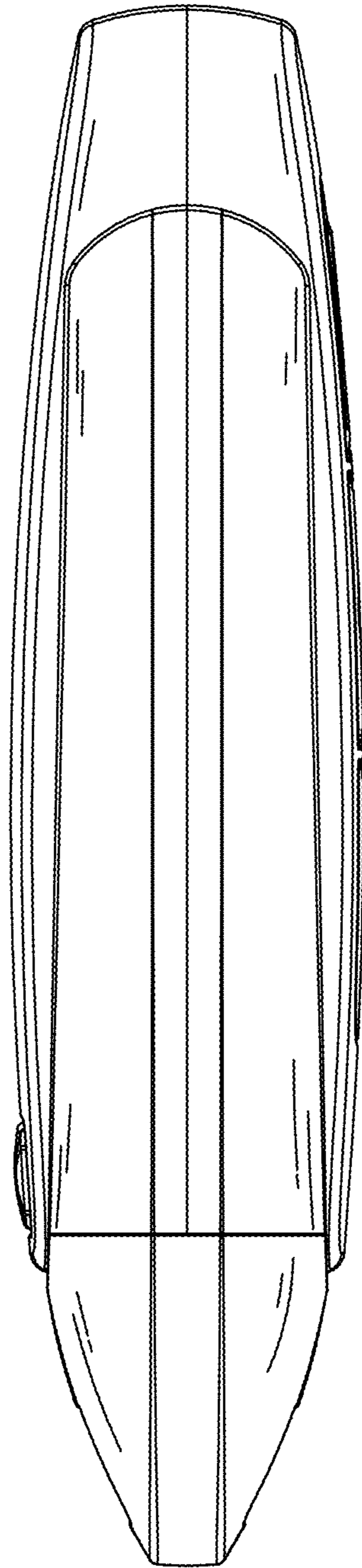


FIG. 5

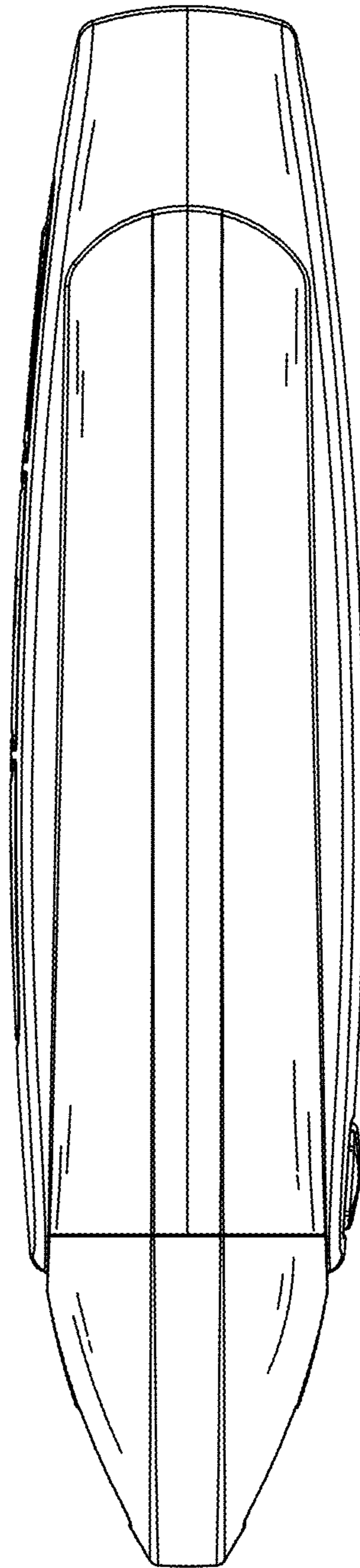


FIG. 6

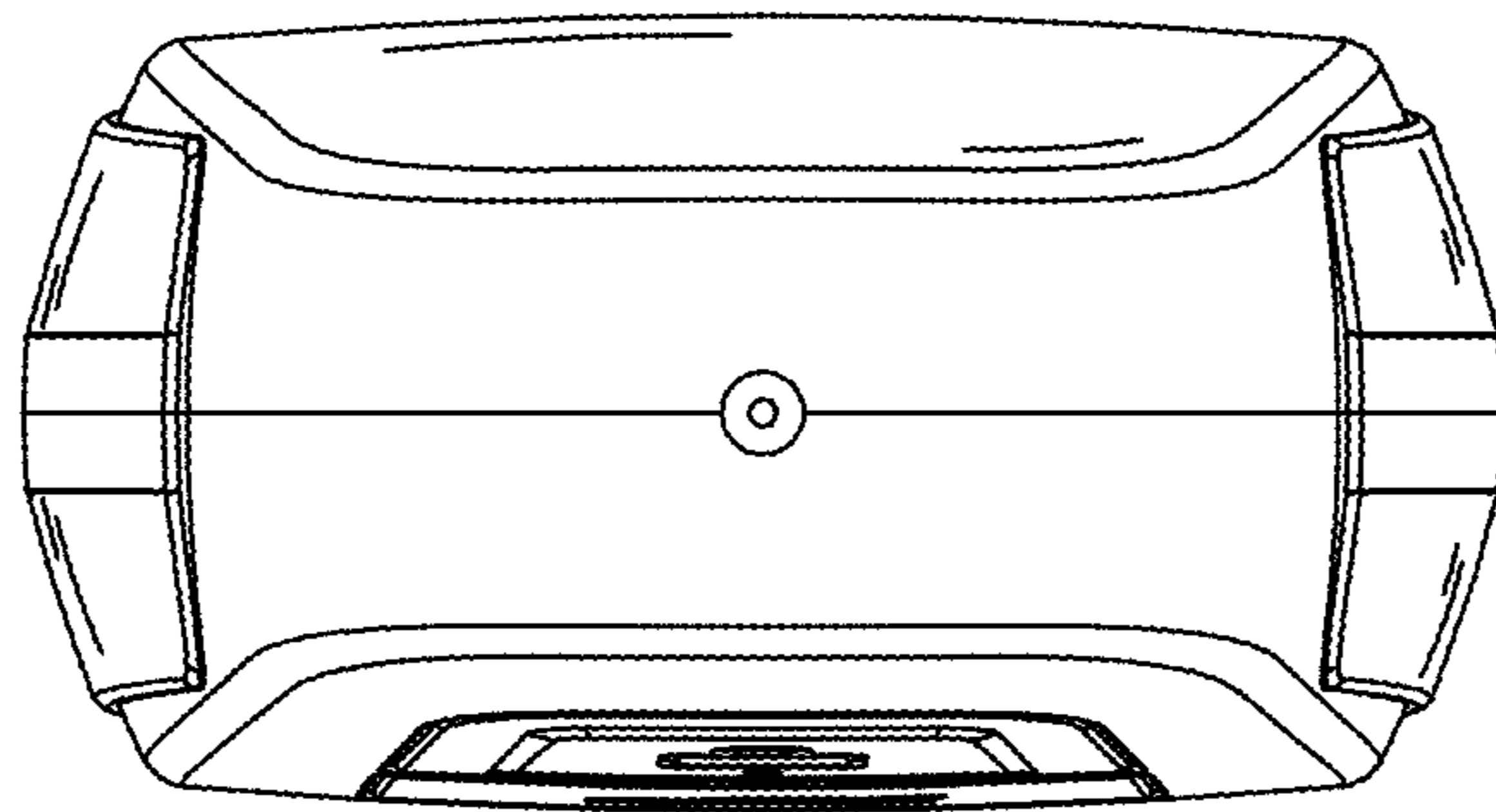


FIG. 7

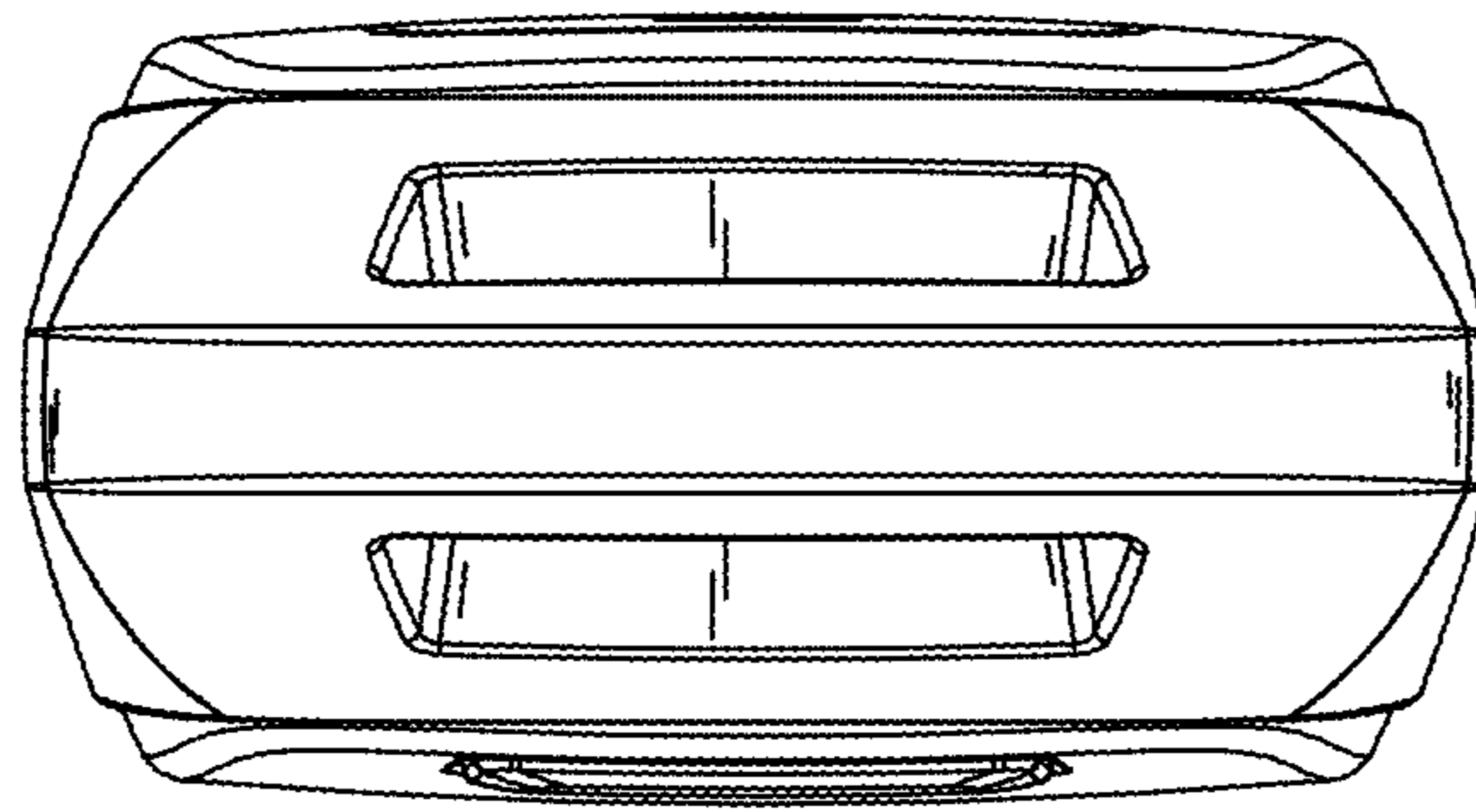


FIG. 8