



US00D881251S

(12) **United States Design Patent**  
**Abe et al.**

(10) **Patent No.:** **US D881,251 S**  
(45) **Date of Patent:** **\*\* Apr. 14, 2020**

(54) **INDUSTRIAL ROBOT**

(71) Applicant: **FANUC CORPORATION**, Yamanashi (JP)

(72) Inventors: **Kenichiro Abe**, Yamanashi (JP);  
**Yoshihiro Tanno**, Yamanashi (JP);  
**Masashi Ooe**, Yamanashi (JP); **Akihiro Oikawa**, Yamanashi (JP); **Hirokazu Kume**, Yamanashi (JP); **Kentarou Ootani**, Yamanashi (JP); **Daisuke Shiramatsu**, Yamanashi (JP); **Kouhei Hanatani**, Yamanashi (JP); **Michio Kinoshita**, Tokyo (JP); **Kou Isozaki**, Tokyo (JP)

(73) Assignee: **FANUC CORPORATION**, Yamanashi (JP)

(\*\*) Term: **15 Years**

(21) Appl. No.: **29/666,163**

(22) Filed: **Oct. 10, 2018**

(30) **Foreign Application Priority Data**

Apr. 11, 2018 (JP) ..... 2018-007978

(51) **LOC (12) Cl.** ..... **15-99**

(52) **U.S. Cl.**  
USPC ..... **D15/199**

(58) **Field of Classification Search**  
USPC ..... D15/199; D21/578-583, 621, 622  
CPC ..... B25J 15/10; B25J 15/086; B25J 15/0009;  
Y10S 901/38; Y10S 901/39  
See application file for complete search history.

(56) **References Cited**

**U.S. PATENT DOCUMENTS**

D267,883 S \* 2/1983 Susnjara ..... D15/122  
D279,572 S \* 7/1985 Yasuoka ..... D15/122

D293,449 S \* 12/1987 Kaufmann ..... D15/122  
D296,790 S \* 7/1988 Tsuburaya ..... D15/122  
D300,935 S \* 5/1989 Maddock ..... D15/122  
D307,282 S \* 4/1990 Suica ..... D15/199  
D334,581 S \* 4/1993 Yoshikawa ..... D15/199  
D344,279 S \* 2/1994 Koyama ..... D15/199  
D344,280 S \* 2/1994 Koyama ..... D15/199  
D410,477 S \* 6/1999 Nihei ..... D15/199  
D616,909 S \* 6/2010 Long ..... D15/199  
7,810,765 B2 \* 10/2010 Burlot ..... B25J 19/0025  
248/75  
D629,030 S \* 12/2010 Long ..... D15/199  
D636,004 S \* 4/2011 Nakagiri ..... D15/199  
D636,419 S \* 4/2011 Nakagiri ..... D15/199  
D636,803 S \* 4/2011 Nakagiri ..... D15/199  
D638,455 S \* 5/2011 Long ..... D15/199  
D650,820 S \* 12/2011 Long ..... D15/199  
D651,627 S \* 1/2012 Long ..... D15/199

(Continued)

*Primary Examiner* — Patricia A Palasik

(74) *Attorney, Agent, or Firm* — Banner & Witcoff, Ltd.

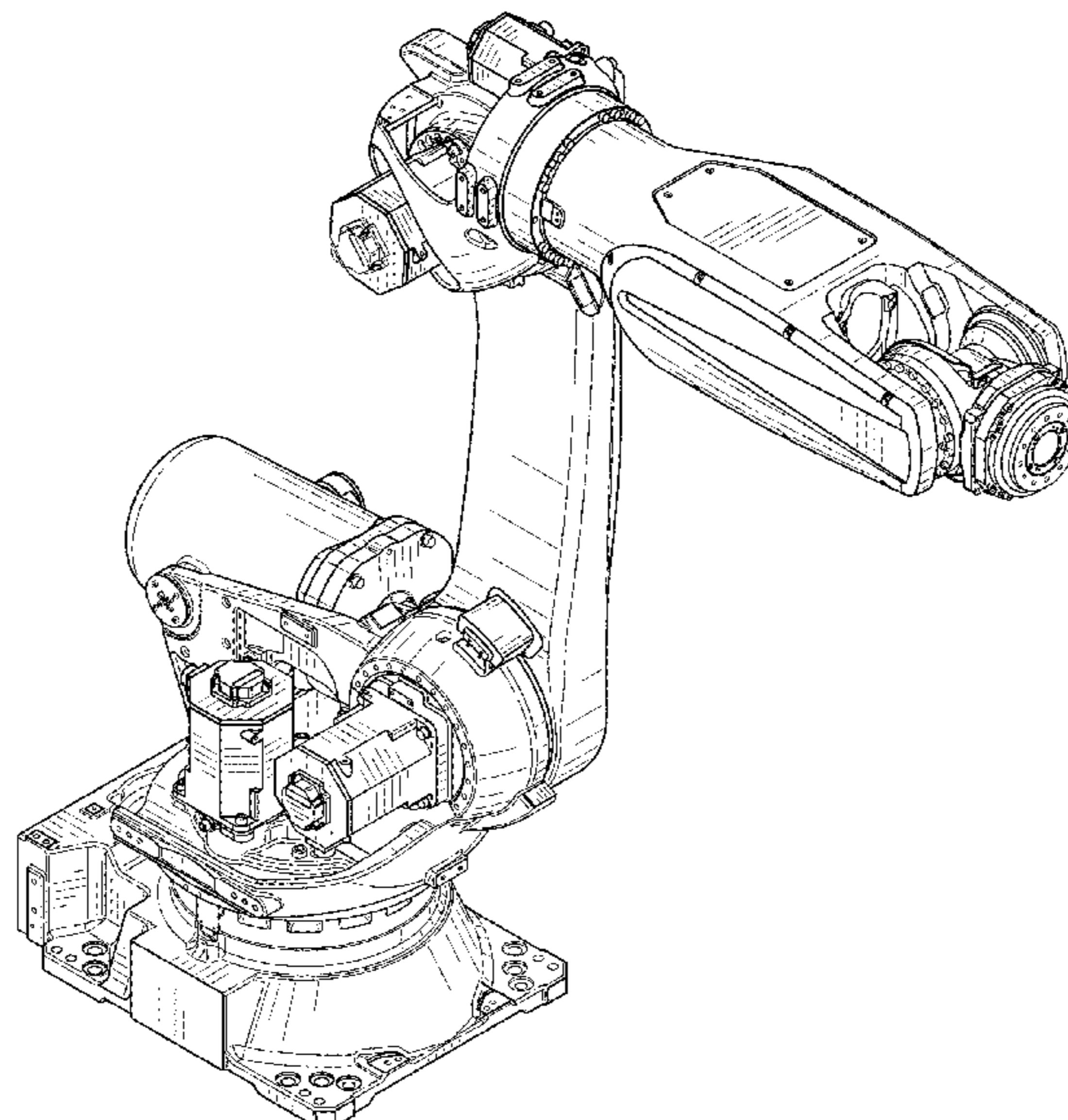
(57) **CLAIM**

The ornamental design for an industrial robot, as shown and described.

**DESCRIPTION**

FIG. 1 is a front-left side perspective view of an industrial robot showing our new design;  
FIG. 2 is a front-right side perspective view thereof;  
FIG. 3 is a rear-left side perspective view thereof;  
FIG. 4 is a rear-right side perspective view thereof;  
FIG. 5 is a front view thereof;  
FIG. 6 is a rear view thereof;  
FIG. 7 is a top plan view thereof;  
FIG. 8 is a bottom view thereof;  
FIG. 9 is a right side view thereof; and,  
FIG. 10 is a left side view thereof.  
The broken lines in the drawings depict portions of the industrial robot which form no part of the claimed design.

**1 Claim, 8 Drawing Sheets**



(56)

**References Cited**

U.S. PATENT DOCUMENTS

D670,319 S \* 11/2012 Liu ..... D15/199  
8,434,387 B2 \* 5/2013 Nakagiri ..... D25J 9/104  
74/490.01  
8,537,346 B2 \* 9/2013 Nakagiri ..... B25J 9/1692  
356/139.07  
D704,757 S \* 5/2014 Nagai ..... D15/144  
D713,436 S \* 9/2014 Liu ..... D15/199  
2005/0092122 A1 \* 5/2005 Markert ..... B25J 19/0075  
74/490.01  
2005/0126327 A1 \* 6/2005 Markert ..... B25J 19/0054  
74/490.02  
2008/0271561 A1 \* 11/2008 Ohara ..... B23K 9/133  
74/490.01

\* cited by examiner

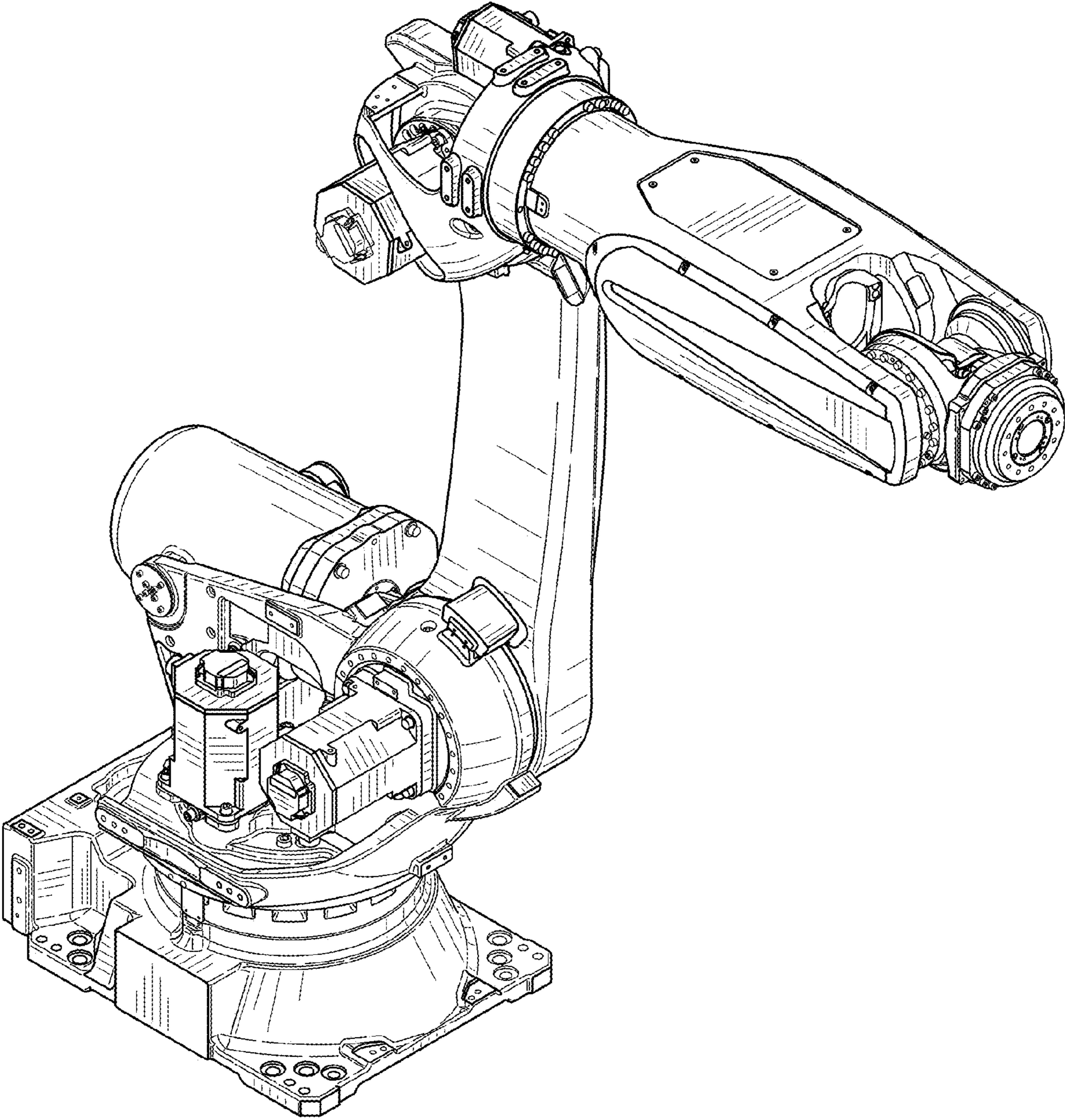


FIG. 1

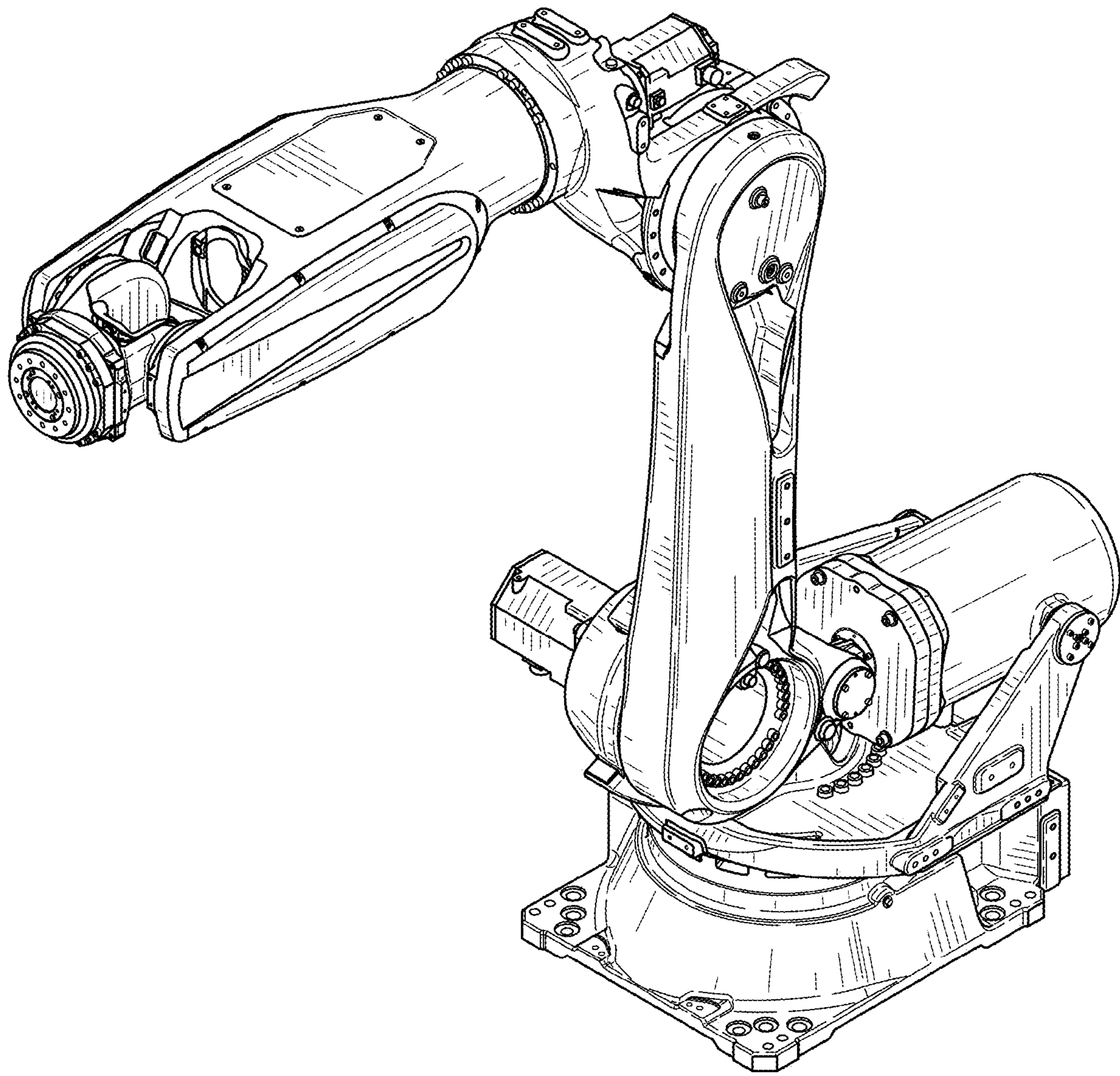


FIG. 2

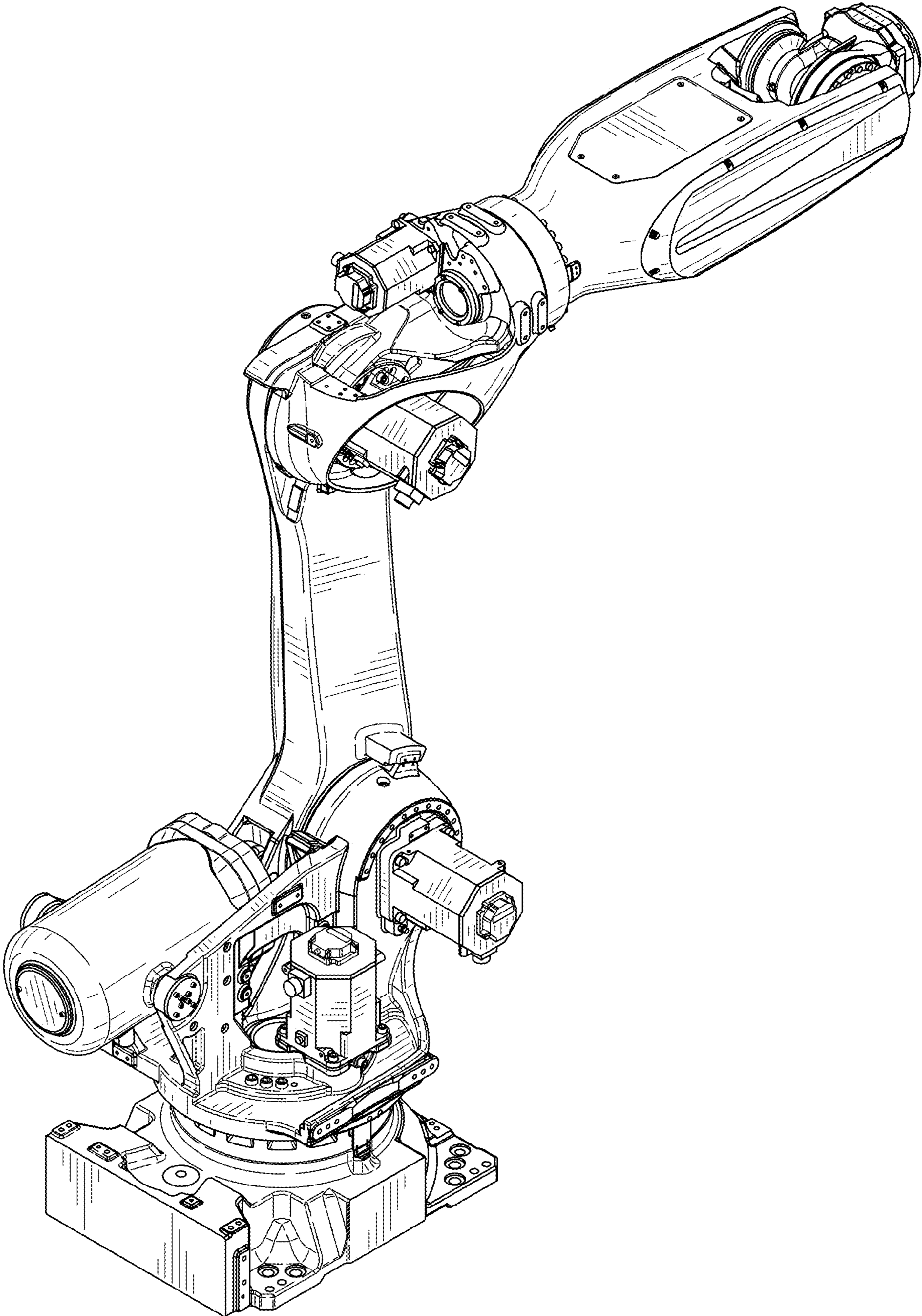


FIG. 3

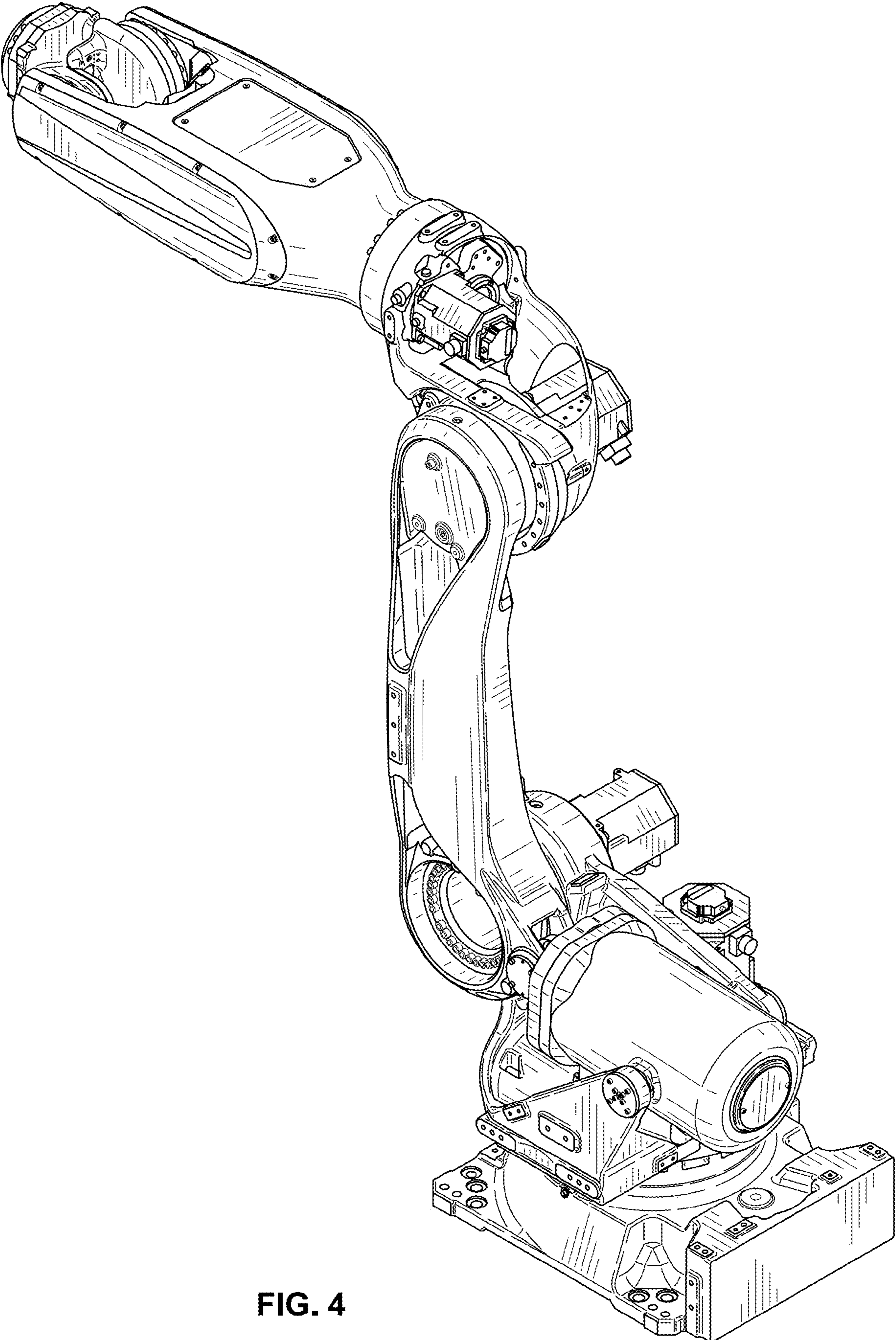


FIG. 4

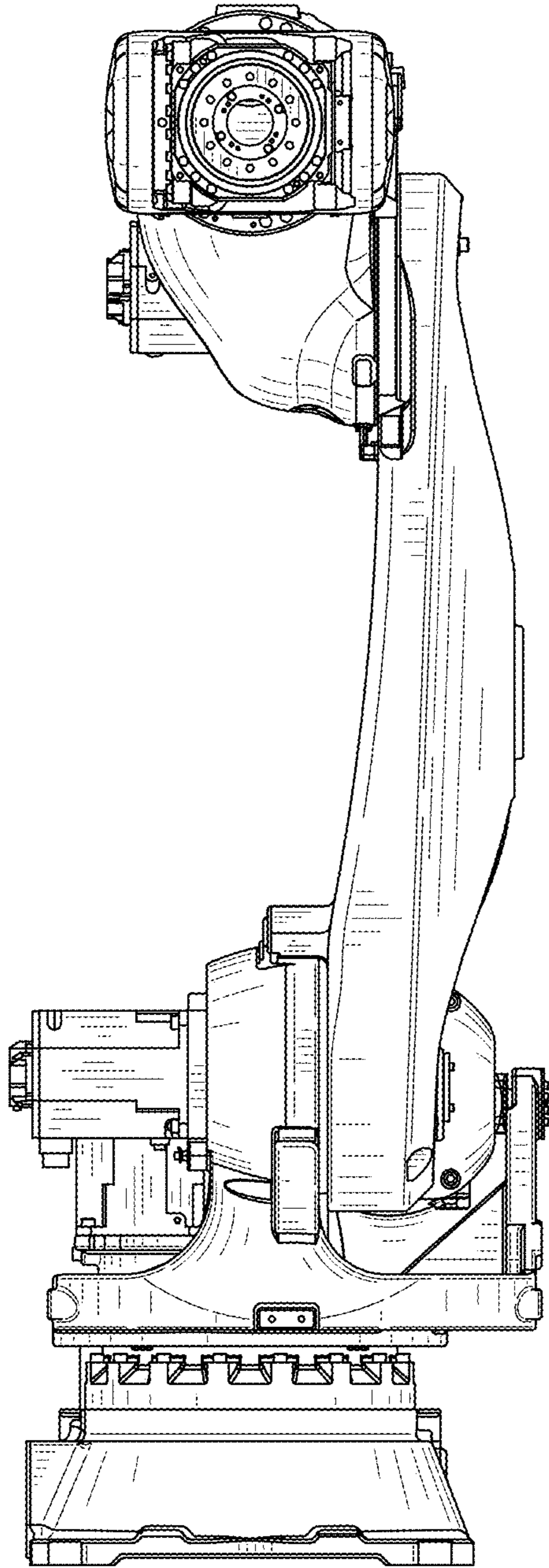


FIG. 5

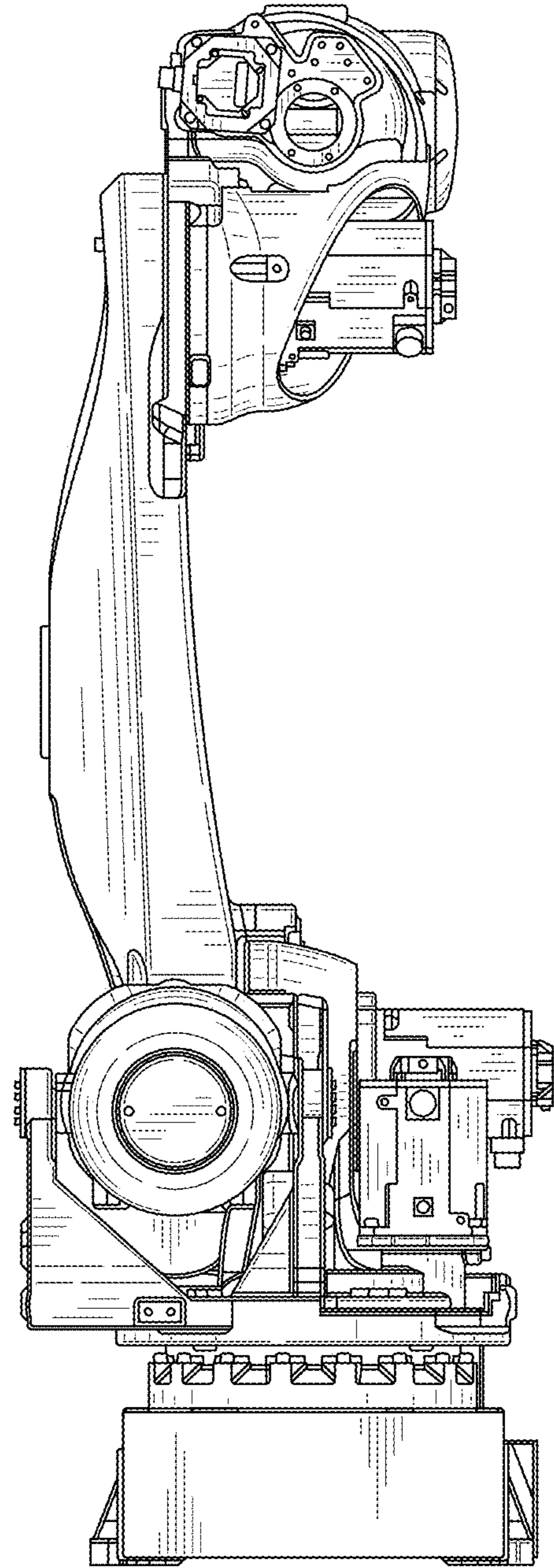


FIG. 6

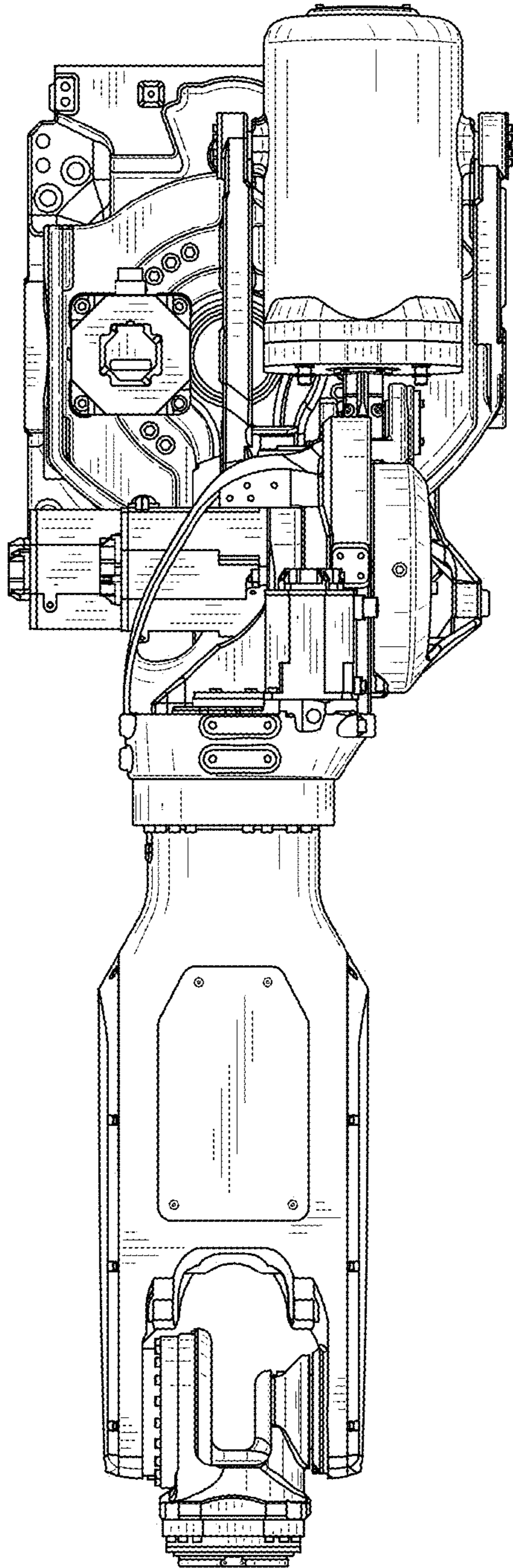


FIG. 7

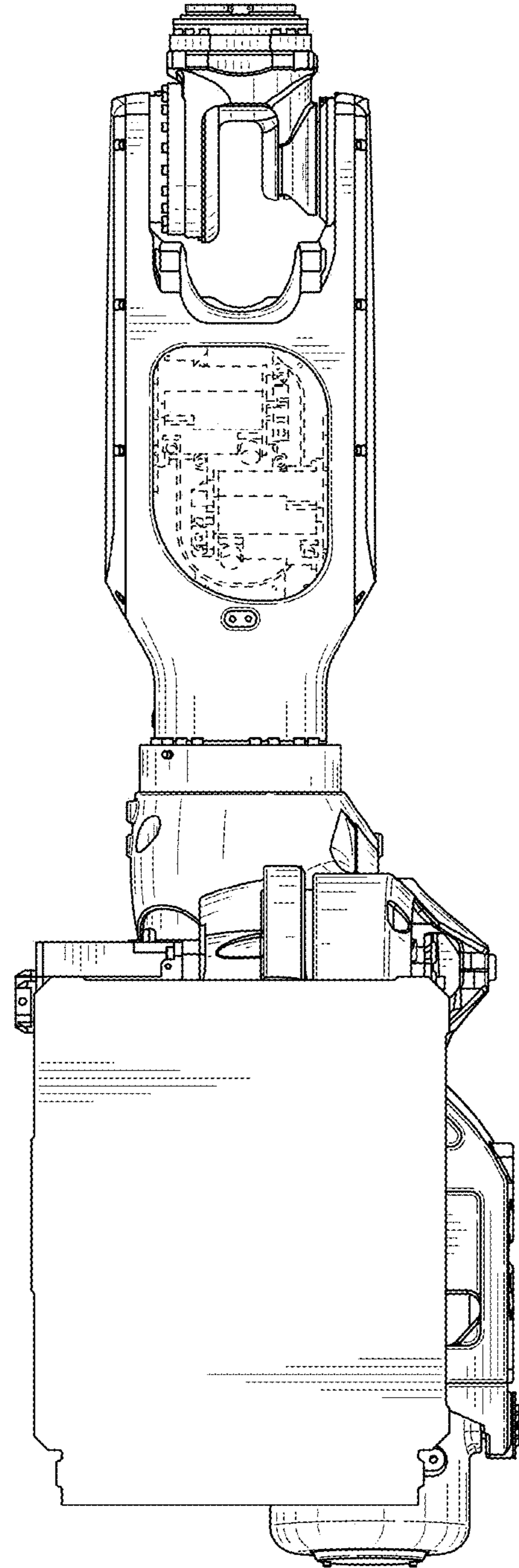


FIG. 8



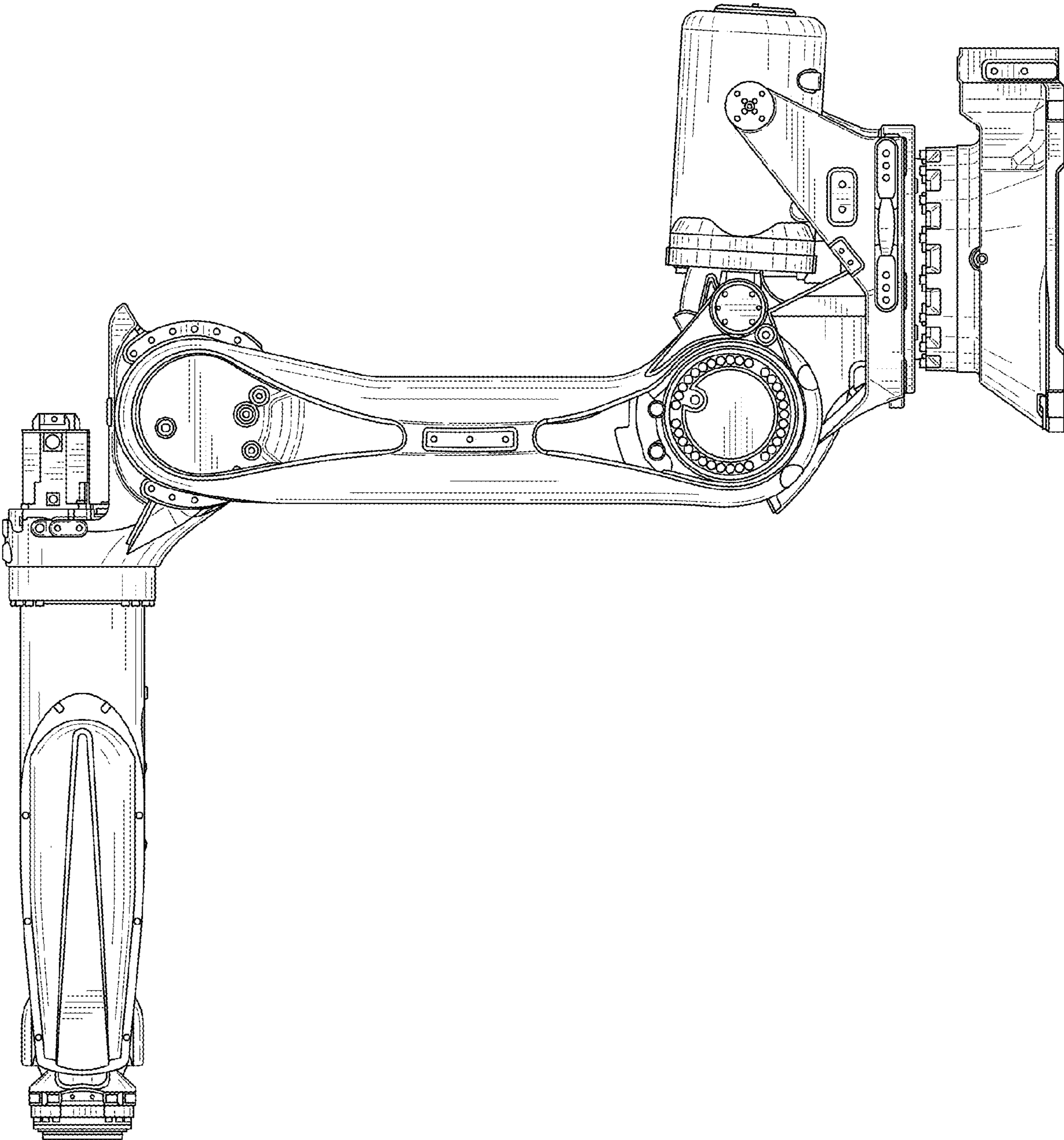


FIG. 9

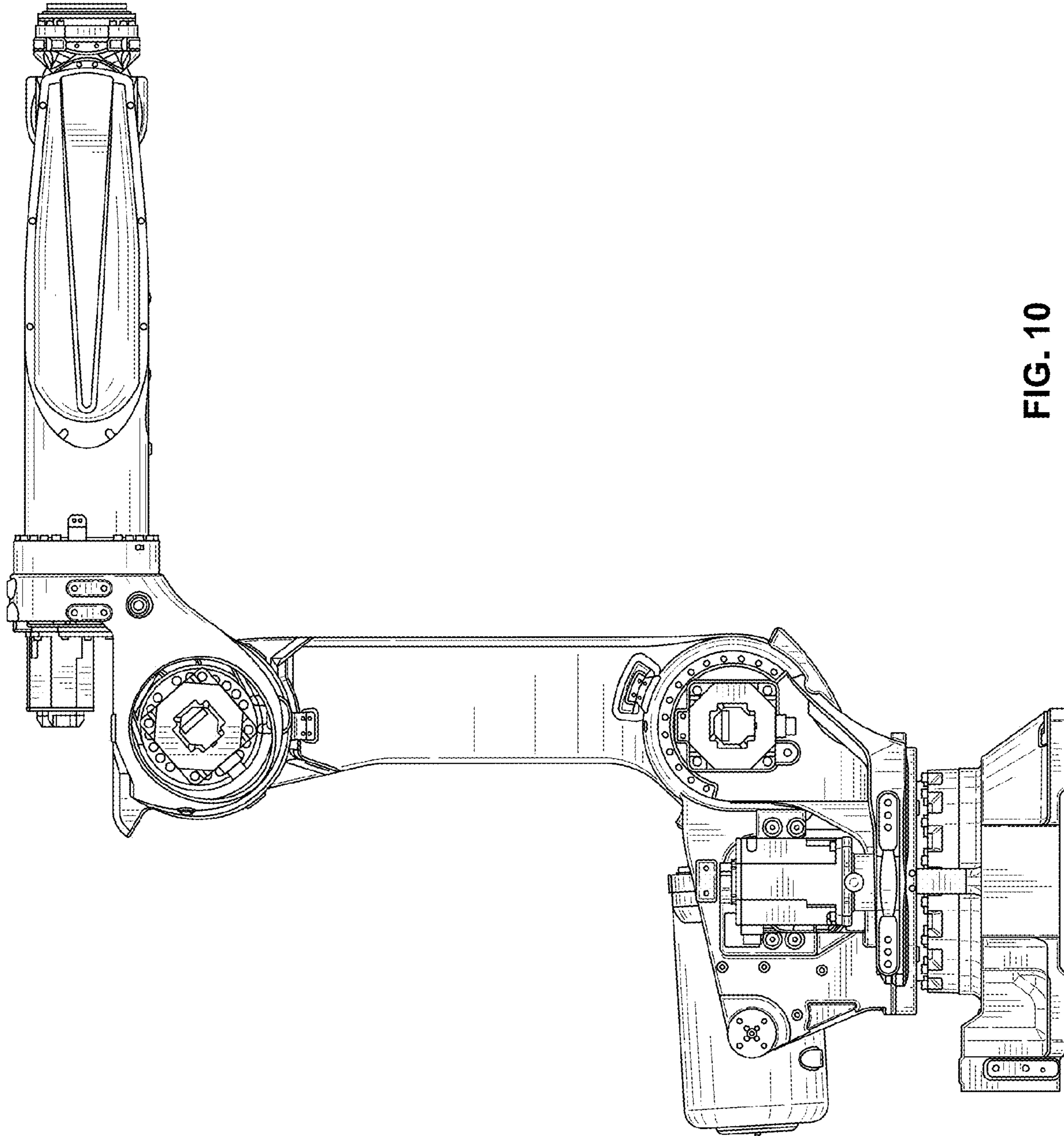


FIG. 10