



US00D881248S

(12) **United States Design Patent**
Monette et al.

(10) **Patent No.:** **US D881,248 S**

(45) **Date of Patent:** **** Apr. 14, 2020**

(54) **LUBE ASSEMBLY HOUSING**

FOREIGN PATENT DOCUMENTS

(71) Applicant: **Eaton Cummins Automated Transmission Technologies, LLC**, Galesburg, MI (US)

CN 304483017 S 1/2018
CN 304553505 S 3/2018

(Continued)

(72) Inventors: **Daniel Alan Monette**, Battle Creek, MI (US); **Joseph Matthew Sullivan**, East Leroy, MI (US)

OTHER PUBLICATIONS

(73) Assignee: **Eaton Cummins Automated Transmission Technologies, LLC**, Galesburg, MI (US)

PCT/US2017/044491, "International Application Serial No. PCT/US2017/044491, International Search Report and Written Opinion Received dated Dec. 26, 2017", Eaton Corporation, 25 Pages.

(Continued)

(**) Term: **15 Years**

Primary Examiner — Patricia A Palasik

(21) Appl. No.: **29/595,584**

(74) *Attorney, Agent, or Firm* — Harness, Dickey & Pierce, P.L.C.

(22) Filed: **Feb. 28, 2017**

(51) **LOC (12) Cl.** **15-09**

(52) **U.S. Cl.**
USPC **D15/150**

(58) **Field of Classification Search**
USPC D15/150, 151, 152
CPC F16D 13/74; F16D 48/02; F16D 25/12;
F16D 25/14; F16D 25/123; F16D
25/0638; F16D 2048/0221
See application file for complete search history.

(57) **CLAIM**

The ornamental design for a lube assembly housing, as shown.

(56) **References Cited**

U.S. PATENT DOCUMENTS

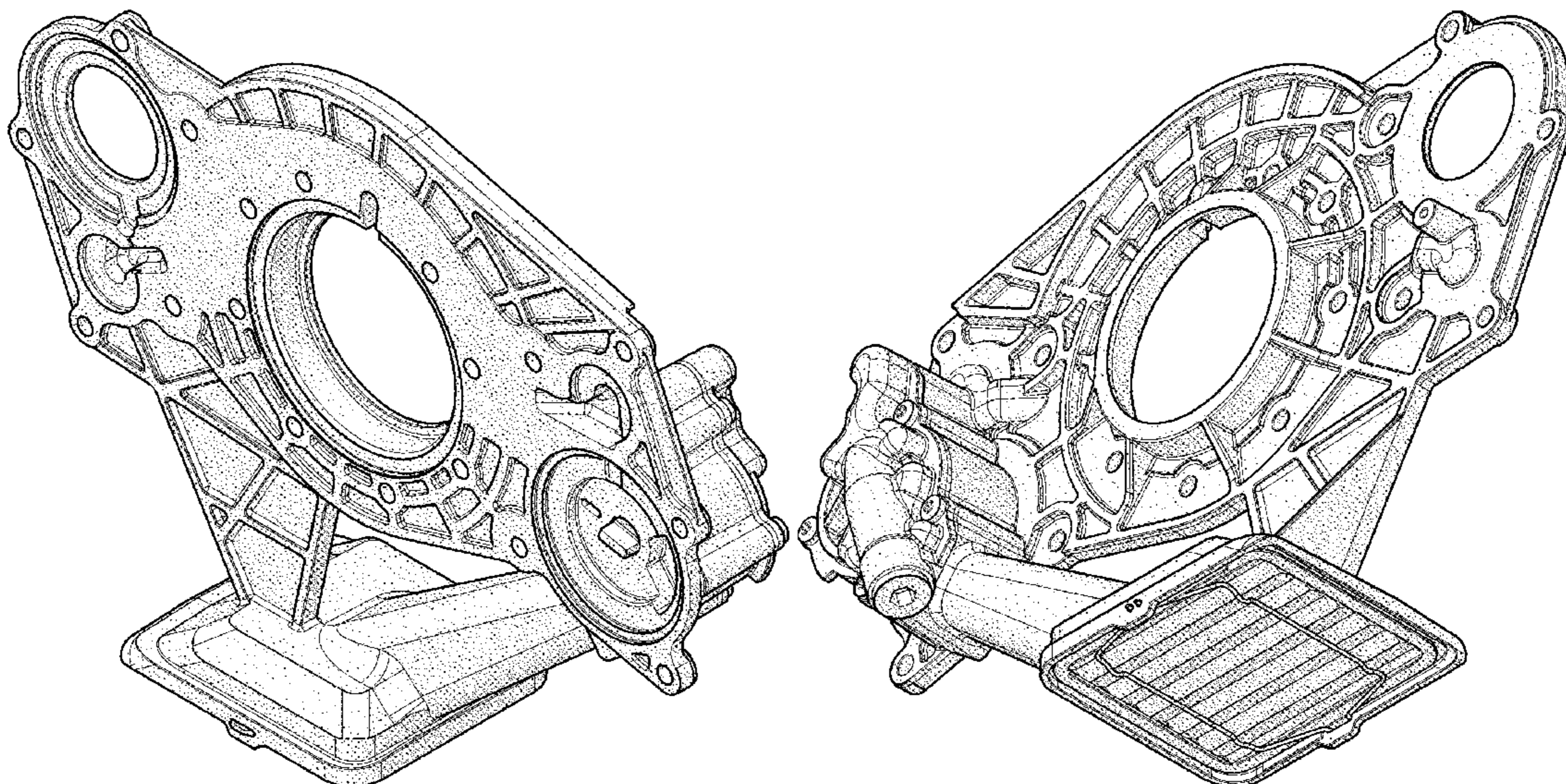
2,479,183	A	8/1949	Peterson et al.
2,857,772	A	10/1958	Garnier et al.
3,572,167	A	3/1971	Bosko et al.
3,600,963	A	8/1971	Portmann
4,081,065	A	3/1978	Smyth et al.
4,109,960	A	8/1978	Stinchfield
4,361,060	A	11/1982	Smyth
4,576,062	A	3/1986	Reppert et al.
4,788,889	A	12/1988	Davis et al.
5,085,303	A	2/1992	Frost et al.

(Continued)

DESCRIPTION

FIG. 1 is a front perspective view of our lube assembly housing design;
FIG. 2 is a rear perspective view of the lube assembly housing design;
FIG. 3 is a rear view of the lube assembly housing design;
FIG. 4 is a front view of the lube assembly housing design;
FIG. 5 is a first side view of the lube assembly housing design;
FIG. 6 is a second side view of the lube assembly housing design;
FIG. 7 is a third side view of the lube assembly housing design; and,
FIG. 8 is a fourth side view of the lube assembly housing design.

1 Claim, 6 Drawing Sheets



(56)

References Cited

U.S. PATENT DOCUMENTS

5,323,740 A * 6/1994 Daily F01M 13/0416
123/143 C

5,335,562 A 8/1994 Mastroianni et al.

5,375,569 A * 12/1994 Santella B29C 45/1676
123/195 C

5,421,216 A 6/1995 Stine

5,492,034 A 2/1996 Bogema

5,513,603 A * 5/1996 Ang F02B 77/00
123/198 E

5,577,588 A * 11/1996 Raszkowski F16D 13/74
192/113.35

5,638,930 A 6/1997 Parsons

5,910,068 A 6/1999 Krauss et al.

6,186,302 B1 2/2001 Drexl et al.

6,393,928 B1 5/2002 Watanabe

6,453,892 B1 * 9/2002 Plunkett F01L 1/46
123/572

7,055,384 B2 * 6/2006 Williams G01F 23/04
33/722

D533,567 S * 12/2006 D'Amico D15/5

7,441,533 B1 * 10/2008 Miller F02F 7/006
123/198 E

D632,305 S * 2/2011 Sargeant D15/5

D650,812 S * 12/2011 Hsu D15/4

8,833,321 B2 * 9/2014 Sands F01L 1/053
123/90.38

2001/0022245 A1 9/2001 Rogg

2002/0125094 A1 9/2002 Zimmermann et al.

2004/0069082 A1 4/2004 Koenig et al.

2004/0159522 A1 8/2004 Conrad et al.

2005/0029068 A1 2/2005 Koenig et al.

2005/0109141 A1 5/2005 DeVore et al.

2005/0217966 A1 10/2005 Hornbrook et al.

2006/0113156 A1 6/2006 McCutcheon et al.

2006/0116232 A1 6/2006 McCutcheon

2006/0185456 A1 8/2006 Gerlofs et al.

2006/0213300 A1 9/2006 Petzold et al.

2006/0219033 A1 10/2006 Gitt

2008/0173273 A1 * 7/2008 Cunningham F02F 7/006
123/195 C

2009/0038579 A1 * 2/2009 Shieh F01M 13/0416
123/195 C

2011/0214522 A1 9/2011 Sporleder et al.

2011/0256976 A1 10/2011 Burgbacher et al.

2011/0314943 A1 12/2011 Brandenburg

2014/0090499 A1 4/2014 Fernandez

2014/0163829 A1 6/2014 Yoon et al.

2015/0126321 A1 5/2015 Mittelberger et al.

2015/0226295 A1 8/2015 Forsberg

2018/0178798 A1 6/2018 Peterson et al.

2018/0178803 A1 6/2018 Kawale et al.

2018/0178804 A1 6/2018 Kawale et al.

2018/0180148 A1 6/2018 Peterson et al.

2018/0180149 A1 6/2018 Peterson et al.

2018/0180166 A1 6/2018 Peterson et al.

2018/0180167 A1 6/2018 Peterson et al.

2018/0180168 A1 6/2018 Peterson et al.

2018/0180500 A1 6/2018 Hawarden et al.

FOREIGN PATENT DOCUMENTS

CN 304553981 S 3/2018

CN 304593000 S 4/2018

CN 304593001 S 4/2018

DE 10334628 A1 8/2004

EM 004168748-0001 9/2017

EM 004168748-0002 9/2017

EM 004168748-0003 9/2017

EM 004168748-0004 9/2017

EM 004168748-0005 9/2017

EM 004168748-0006 9/2017

EM 004168748-0007 9/2017

EM 004168748-0008 9/2017

EM 004168748-0009 9/2017

EM 004168748-0010 9/2017

EM 004168748-0011 9/2017

EM 004168748-0012 9/2017

EM 004169035-0001 9/2017

EM 004169035-0002 9/2017

EM 004169035-0003 9/2017

EM 004169035-0004 9/2017

EM 004169035-0005 9/2017

EM 004169035-0006 9/2017

EM 004169035-0007 9/2017

EM 004169035-0008 9/2017

EM 004169035-0009 9/2017

EM 004169035-0010 9/2017

EM 004169035-0011 9/2017

EM 004169035-0012 9/2017

EM 004169035-0013 9/2017

EM 004169167-0001 9/2017

EM 004169167-0002 9/2017

EM 004169167-0003 9/2017

EM 004169167-0004 9/2017

EM 004169167-0005 9/2017

EM 004169167-0006 9/2017

EM 004169167-0007 9/2017

EM 004169167-0008 9/2017

EM 004169167-0009 9/2017

EM 004169167-0010 9/2017

EM 004169167-0011 9/2017

EM 004169167-0012 9/2017

EM 004169167-0013 9/2017

EM 004169167-0014 9/2017

EM 004169167-0015 9/2017

EM 004169167-0016 9/2017

EM 004162212-0001 10/2017

EM 004162212-0002 10/2017

EM 004162212-0003 10/2017

EM 004162212-0004 10/2017

EM 004162212-0005 10/2017

EM 004162212-0006 10/2017

EP 1837560 A2 9/2007

JP 2012219972 A 11/2012

WO 2013068175 A1 5/2013

WO 2018112304 A1 6/2018

WO 2018118124 A1 6/2018

WO 2018118125 A1 6/2018

WO 2018118126 A1 6/2018

WO 2018118127 A1 6/2018

WO 2018118128 A1 6/2018

WO 2018118129 A1 6/2018

WO 2018118130 A1 6/2018

WO 2018118131 A1 6/2018

WO 2018118132 A1 6/2018

WO 2018119396 A1 6/2018

OTHER PUBLICATIONS

PCT/US2017/044495, "Application Serial No. PCT/US2017/044495, International Search Report and the Written Opinion dated Oct. 13, 2017", 9 pages.

PCT/US2017/044502, "Application Serial No. PCT/US2017/044502, International Search Report and the Written Opinion dated Sep. 27, 2017", 7 pages.

PCT/US2017/044505 "Application Serial No. PCT/US2017/044505, International Search Report and the Written Opinion dated Nov. 13, 2017", 13 pages.

PCT/US2017/044512, "Application Serial No. PCT/US2017/044512, International Search Report and the Written Opinion dated Nov. 13, 2017", 14 pages.

PCT/US2017/044514, "Application Serial No. PCT/US2017/044514, International Search Report and the Written Opinion dated Sep. 27, 2017", 7 pages.

PCT/US2017/044518, "Application Serial No. PCT/US2017/044518, International Search Report and the Written Opinion dated Oct. 10, 2017", 12 pages.

PCT/US2017/044524, "Application Serial No. PCT/US2017/044524, International Search Report and the Written Opinion dated Oct. 5, 2017", 9 pages.

(56)

References Cited

OTHER PUBLICATIONS

PCT/US2017/044531, "International Application Serial No. PCT/US2017/044531, International Preliminary Report on Patentability and Written Opinion dated Oct. 18, 2017", Eaton Corporation, 8 Pages.

U.S. Appl. No. 15/663,201, filed Jul. 28, 2017, Pending.

U.S. Appl. No. 15/663,144, filed Jul. 28, 2017, Pending.

U.S. Appl. No. 15/663,153, filed Jul. 28, 2017, Pending.

U.S. Appl. No. 15/663,168, filed Jul. 28, 2017, Pending.

U.S. Appl. No. 15/663,235, filed Jul. 28, 2017, Pending.

U.S. Appl. No. 15/663,093, filed Jul. 28, 2017, Pending.

U.S. Appl. No. 15/663,120, filed Jul. 28, 2017, Pending.

U.S. Appl. No. 15/663,135, filed Jul. 28, 2017, Pending.

U.S. Appl. No. 15/663,193, filed Jul. 28, 2017, Pending.

PCT/US2017/066594, "International Application Serial No. PCT/US2017/066594, International Search Report and Written Opinion dated Feb. 14, 2018", Eaton Corporation, 13 Pages.

PCT/US2017/068188, "International Application Serial No. PCT/US2017/068188, International Search Report and Written Opinion dated Feb. 22, 2018", Eaton Corporation, 13 pages.

U.S. Appl. No. 29/595,580, filed Feb 28, 2017, Pending.

U.S. Appl. No. 29/595,582, filed Feb 28, 2017, Pending.

U.S. Appl. No. 29/595,583, filed Feb 28, 2017, Pending.

* cited by examiner

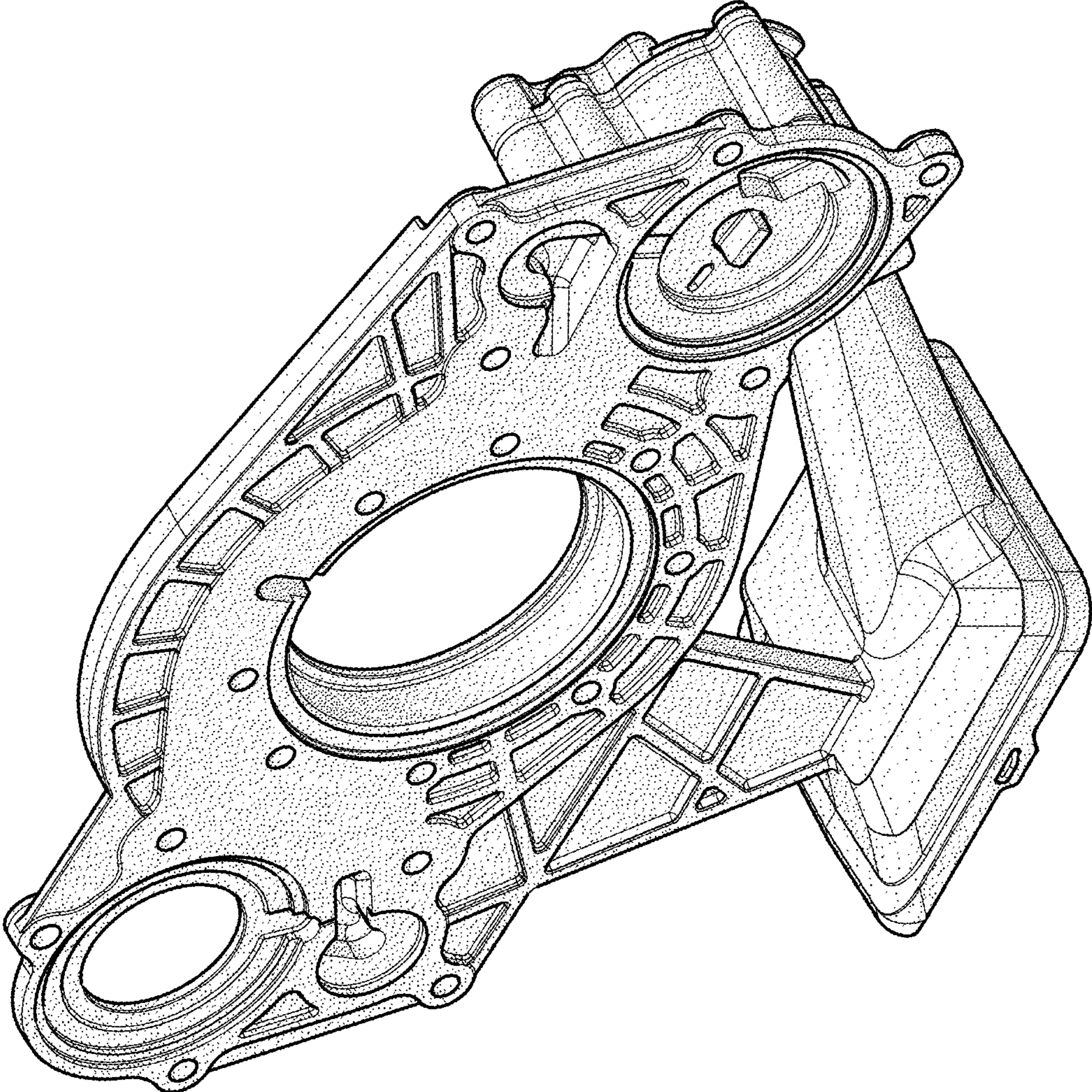


FIG. 1

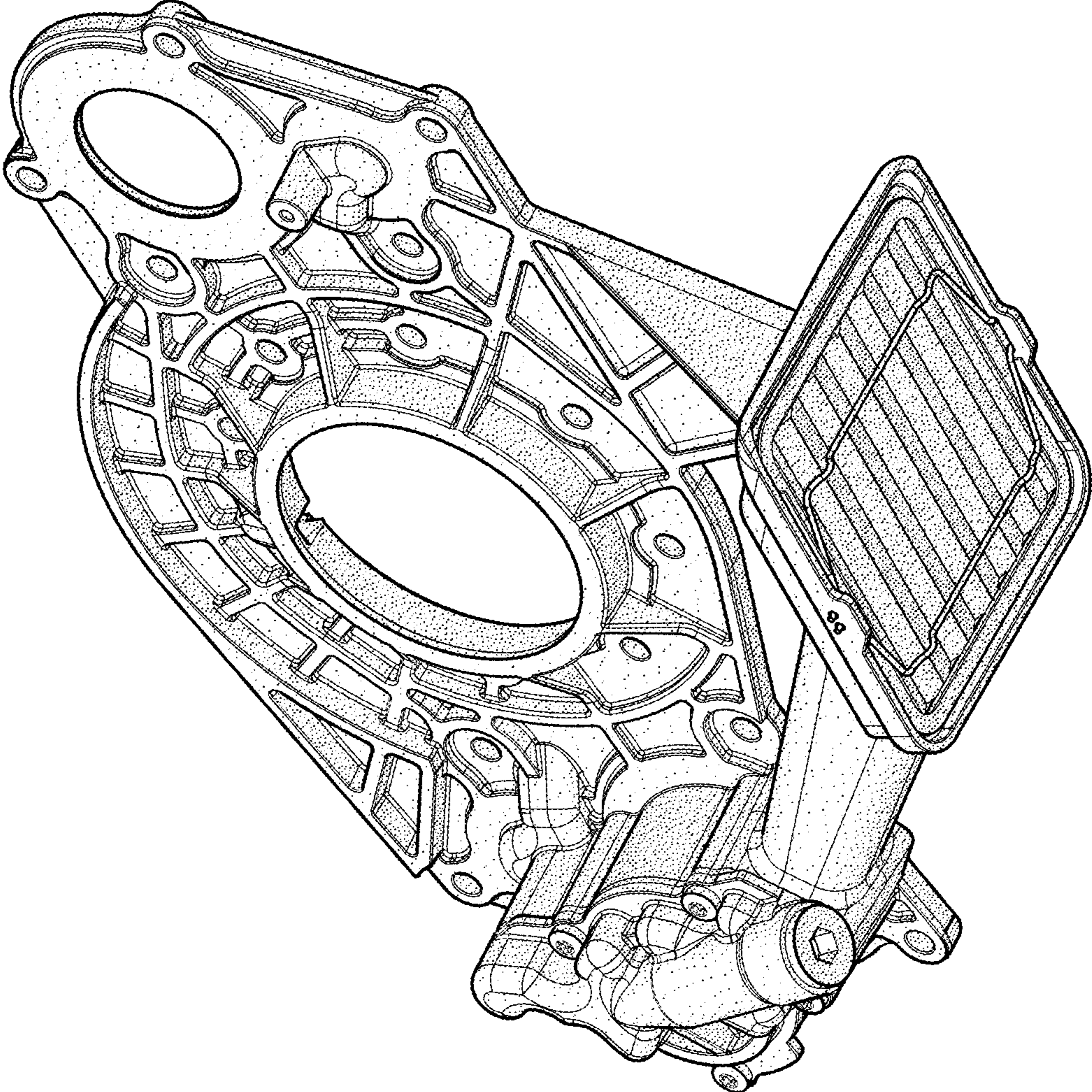


FIG. 2

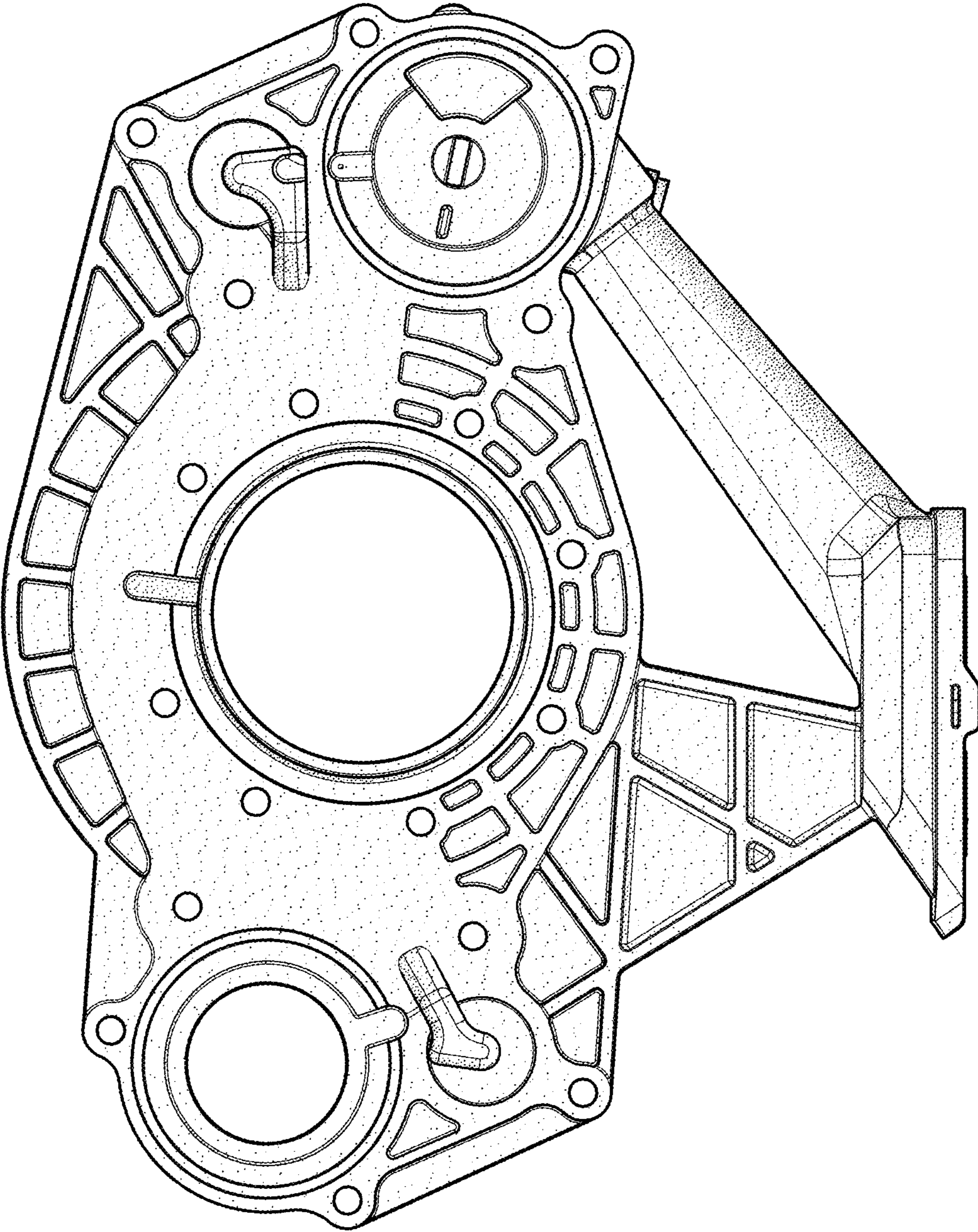


FIG. 3

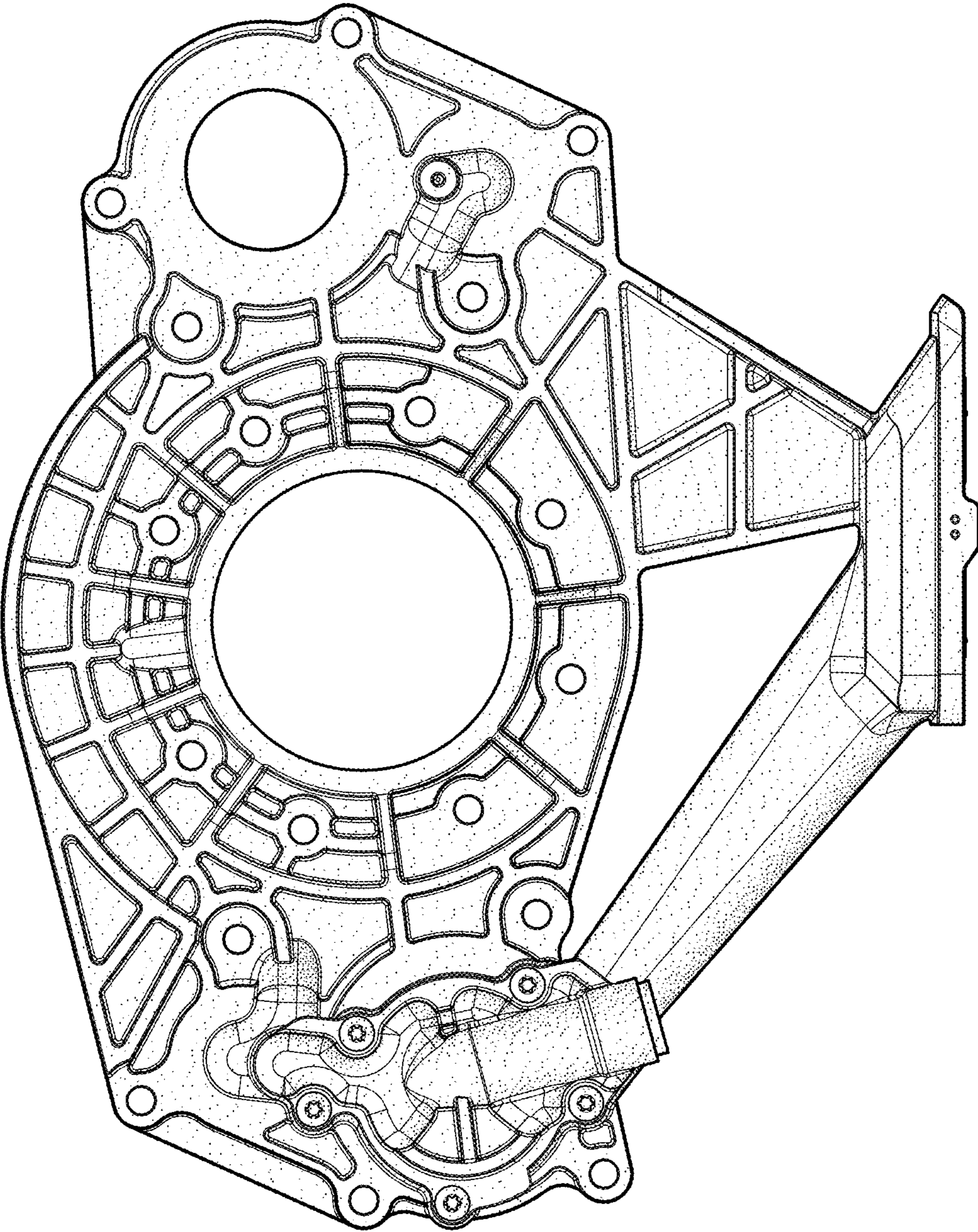


FIG.4

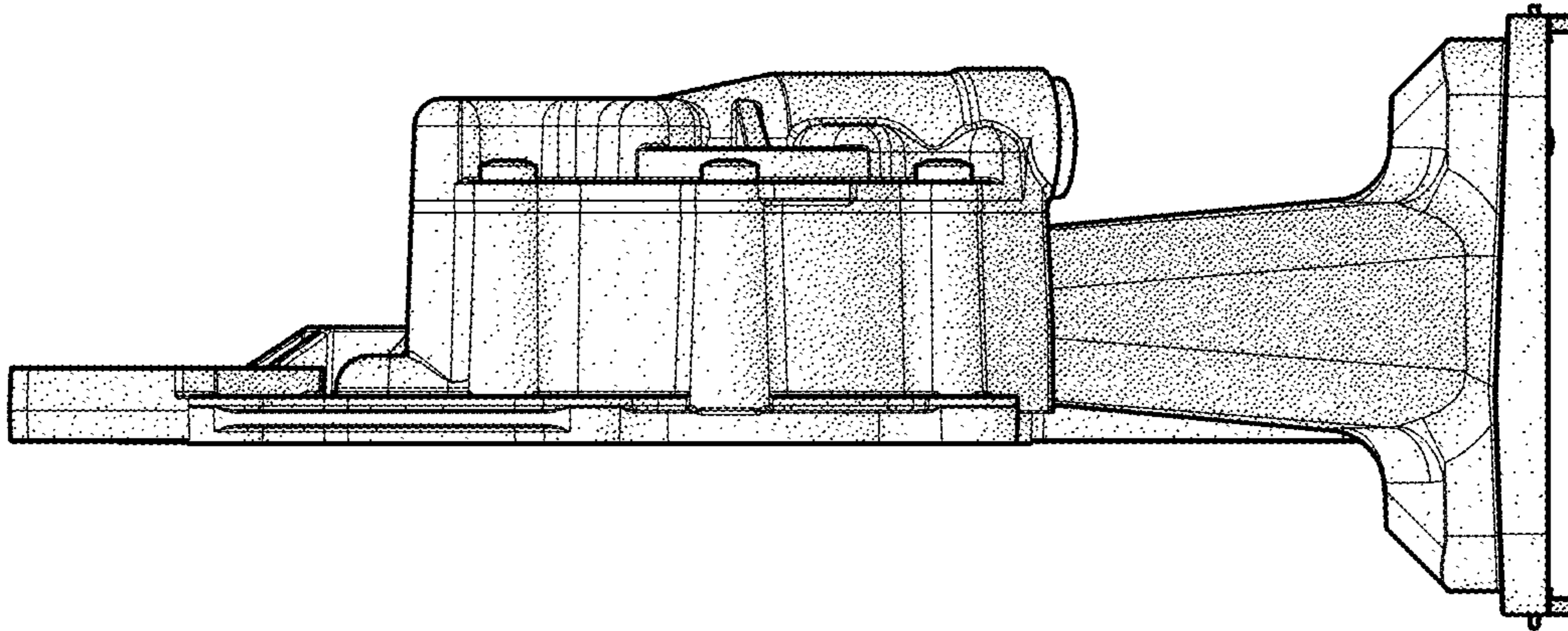


FIG. 6

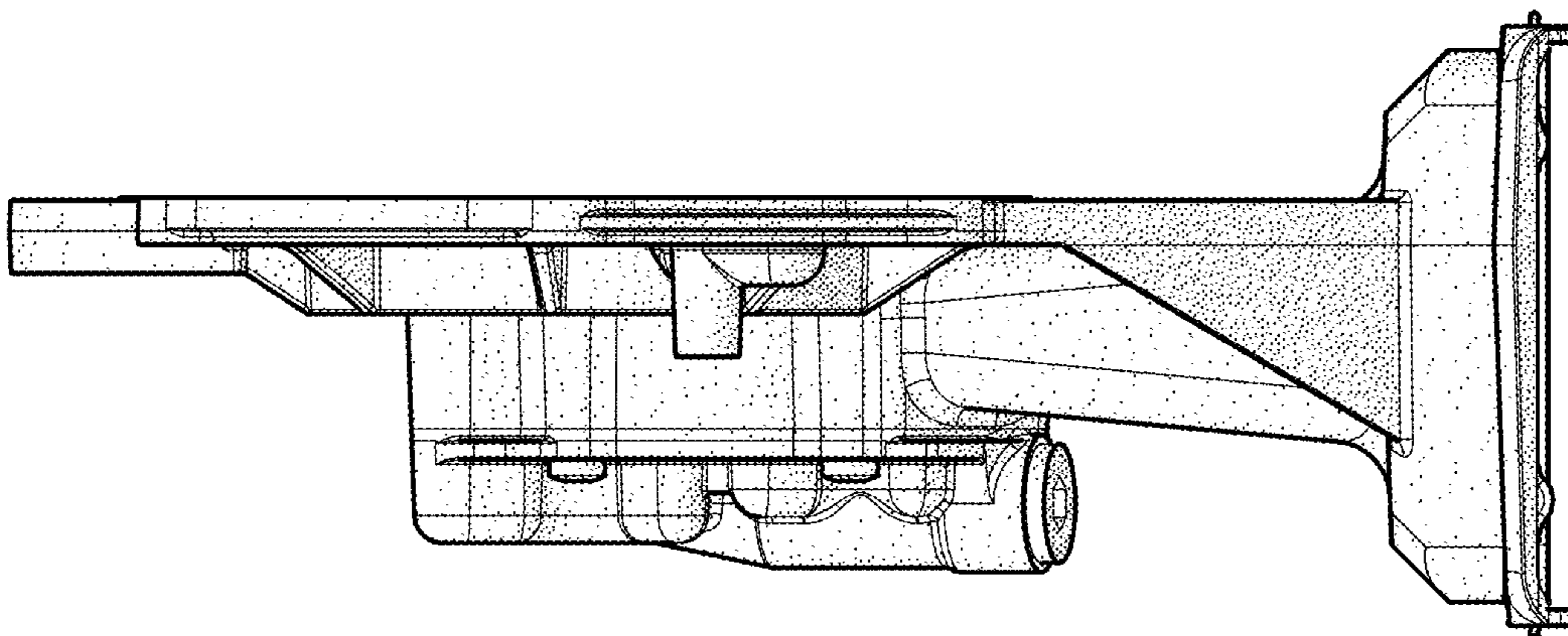


FIG. 5

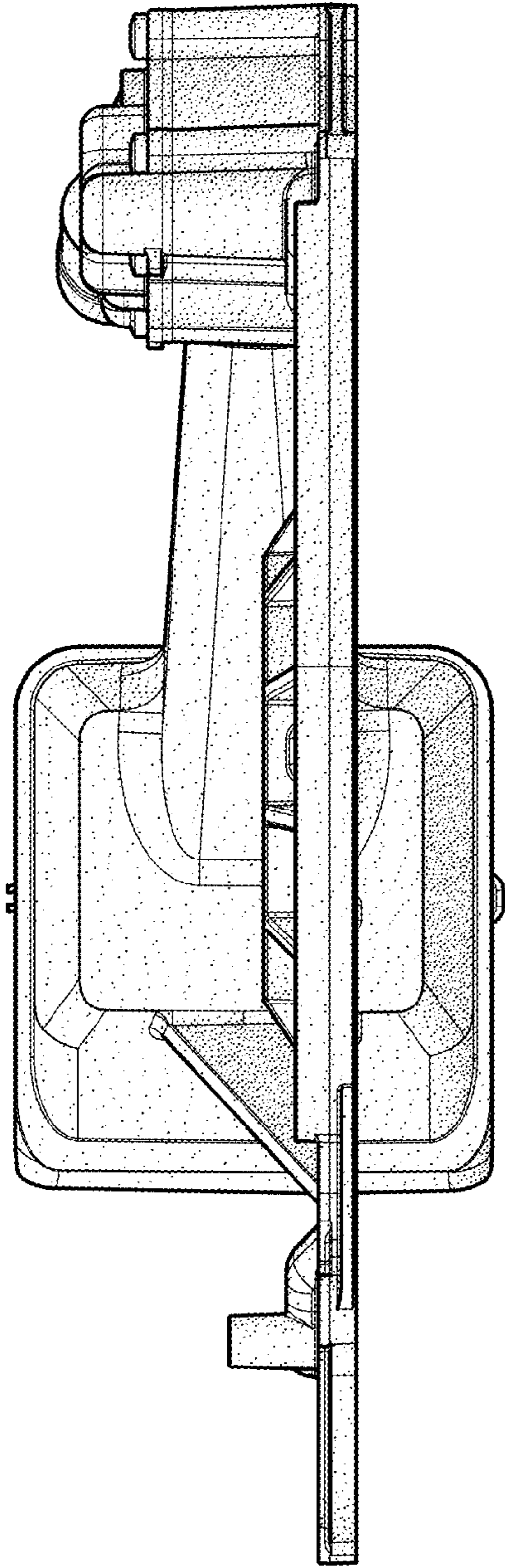


FIG. 7

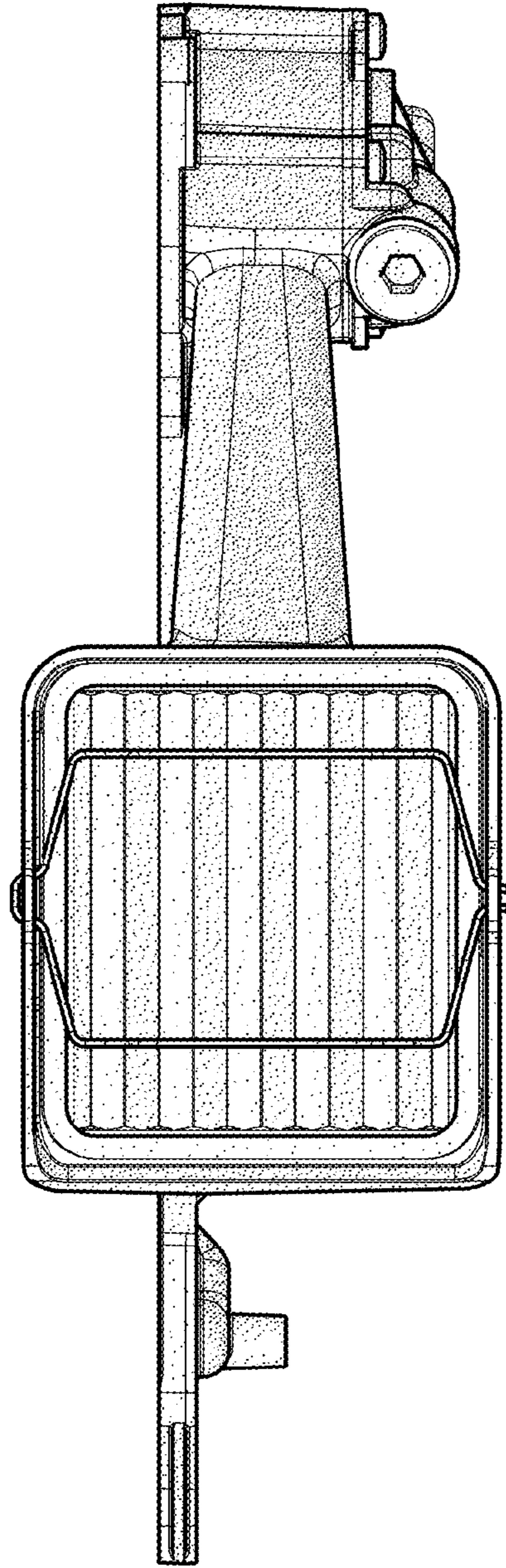


FIG. 8