



US00D881246S

(12) **United States Design Patent**
Václavík

(10) **Patent No.:** **US D881,246 S**
(45) **Date of Patent:** **** Apr. 14, 2020**

(54) **LAMINATOR**

(71) Applicant: **Tomás Václavík**, Frymberk (CZ)

(72) Inventor: **Tomás Václavík**, Frymberk (CZ)

(**) Term: **15 Years**

(21) Appl. No.: **35/506,203**

(22) Filed: **Jun. 13, 2018**

(80) **Hague Agreement Data**

Int. Filing Date: **Jun. 13, 2018**

Int. Reg. No.: **DM/102504**

Int. Reg. Date: **Jun. 13, 2018**

Int. Reg. Pub. Date: **Dec. 14, 2018**

(51) **LOC (12) Cl.** **15-99**

(52) **U.S. Cl.**

USPC **D15/146**

CPC **B31B 50/00** (2017.08)

(58) **Field of Classification Search**

USPC D15/145, 146; D7/609, 629; D18/50,
D18/51; 100/155 R, 160, 176, 555, 560,
100/582, 583.1

CPC B31B 50/00; B31B 50/18; B31B 50/256
See application file for complete search history.

(56) **References Cited**

U.S. PATENT DOCUMENTS

- D338,025 S * 8/1993 Washizaki D15/145
- D342,271 S * 12/1993 Keng D15/146
- D347,013 S * 5/1994 Taguchi D15/145
- D353,604 S * 12/1994 Prokop D15/146

- D358,825 S * 5/1995 Kuhns D15/146
- D358,826 S * 5/1995 Kuhns D15/146
- D396,239 S * 7/1998 Hsieh D15/146
- D440,992 S * 4/2001 Parson D15/146
- D442,980 S * 5/2001 Johnson D15/146
- D443,883 S * 6/2001 Reuter D15/146
- D459,751 S * 7/2002 Hsiao D15/146
- D512,734 S * 12/2005 Messina D15/146
- D534,192 S * 12/2006 Kiple D15/145
- D544,508 S * 6/2007 Beno D15/146
- D544,893 S * 6/2007 Singer D15/146
- D579,957 S * 11/2008 Kiple D15/145
- D602,966 S * 10/2009 Kiple D15/146
- D667,858 S * 9/2012 Crutchley D15/146
- D679,739 S * 4/2013 Crutchley D15/146
- D686,649 S * 7/2013 Zhou D15/146
- D687,079 S * 7/2013 Mueller D15/146
- D778,969 S * 2/2017 Meyer D15/146

* cited by examiner

Primary Examiner — Richard E Chilcot

(74) *Attorney, Agent, or Firm* — Invenza Capital PLC

(57) **CLAIM**

The ornamental design for a laminator, as shown and described.

DESCRIPTION

Figure 1.1 is a perspective view of a laminator; Figure 1.2 is a front view of the laminator; Figure 1.3 is a right side view of the laminator; Figure 1.4 is a left side view of the laminator; Figure 1.5 is a back view of the laminator; Figure 1.6 is a bottom view of the laminator; Figure 1.7 is a top view of the laminator; and Figure 1.8 is an enlarged view of the laminator.

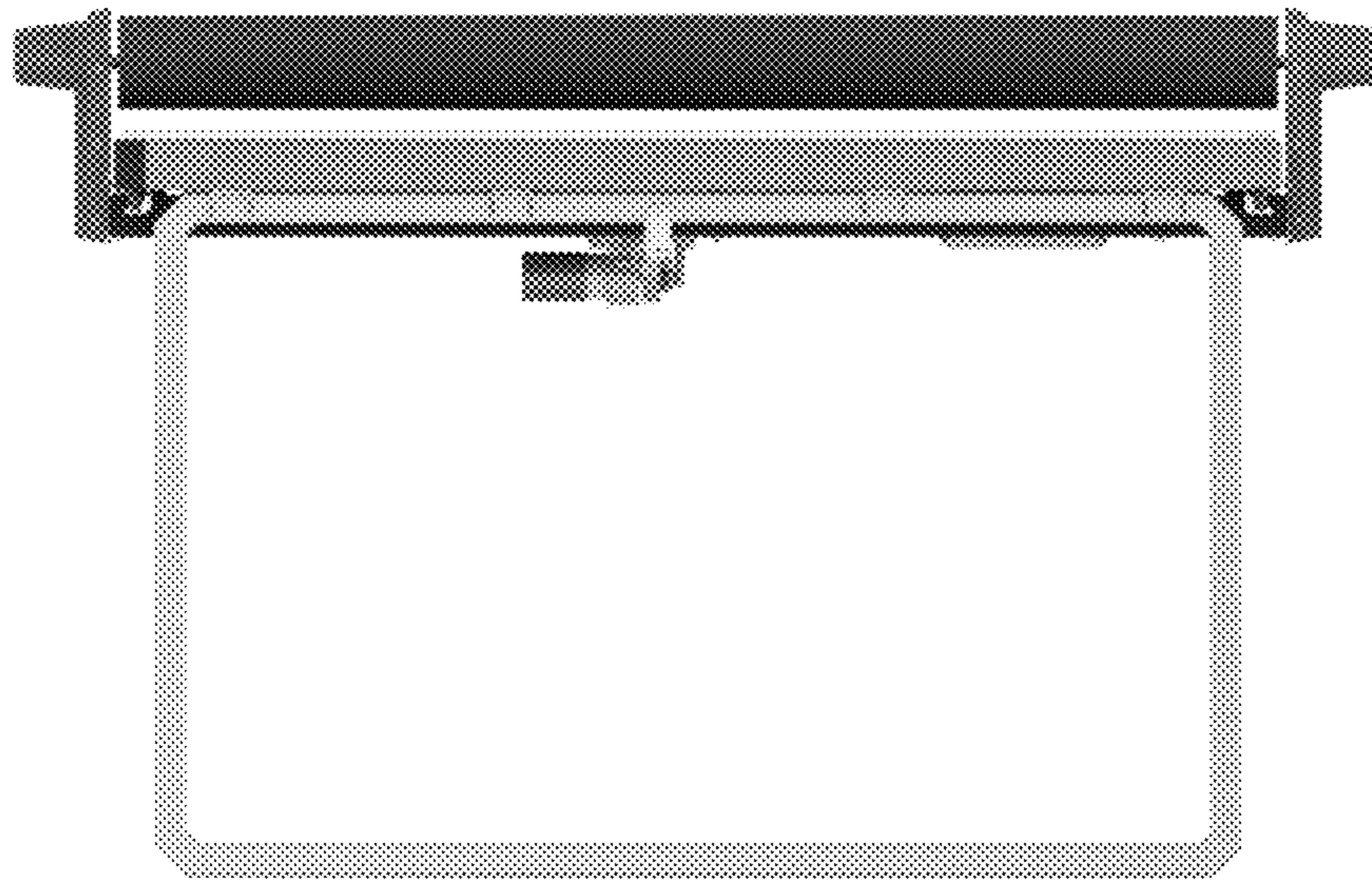
1 Claim, 8 Drawing Sheets



1.1



1.2



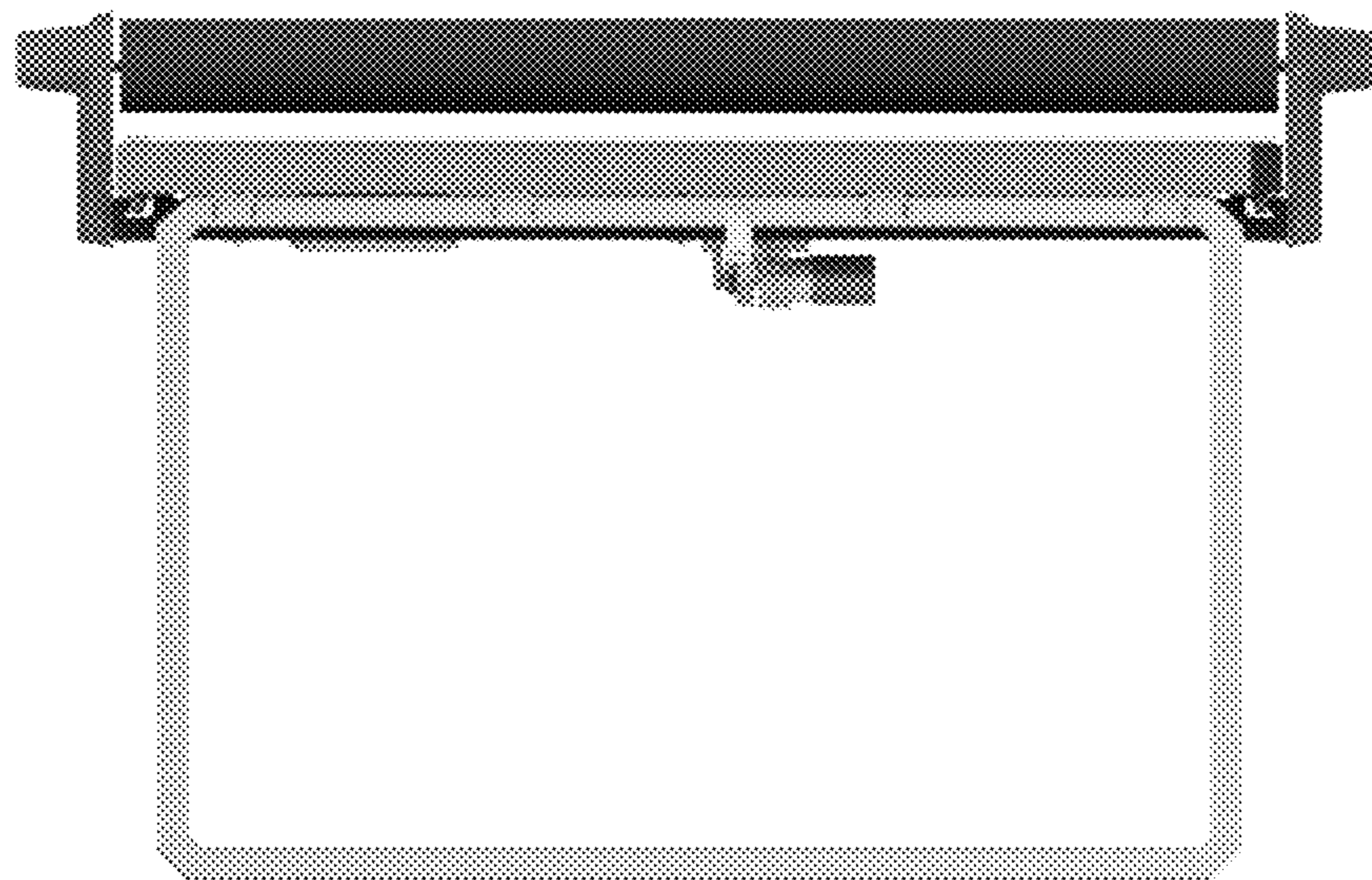
1.3



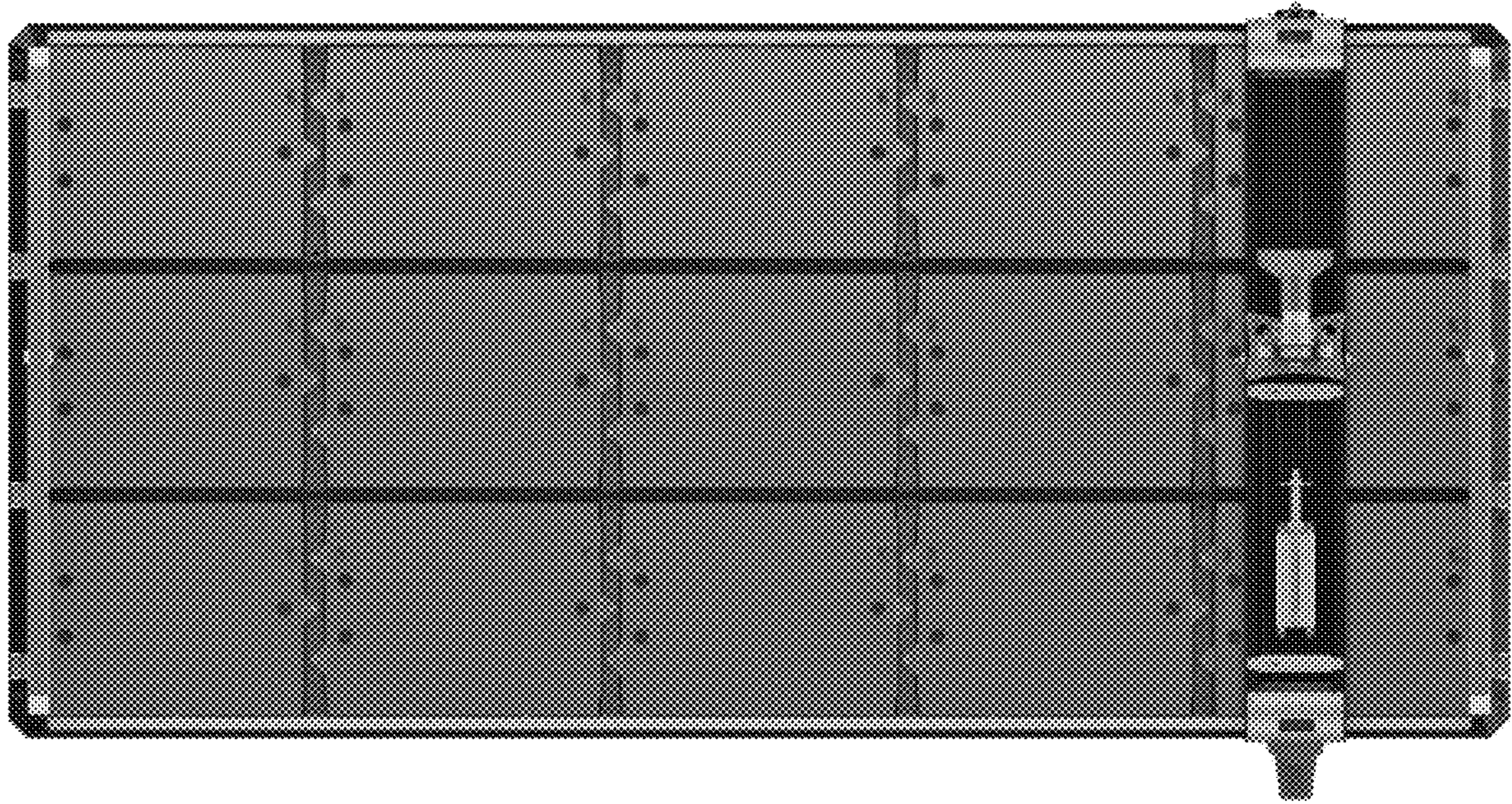
1.4



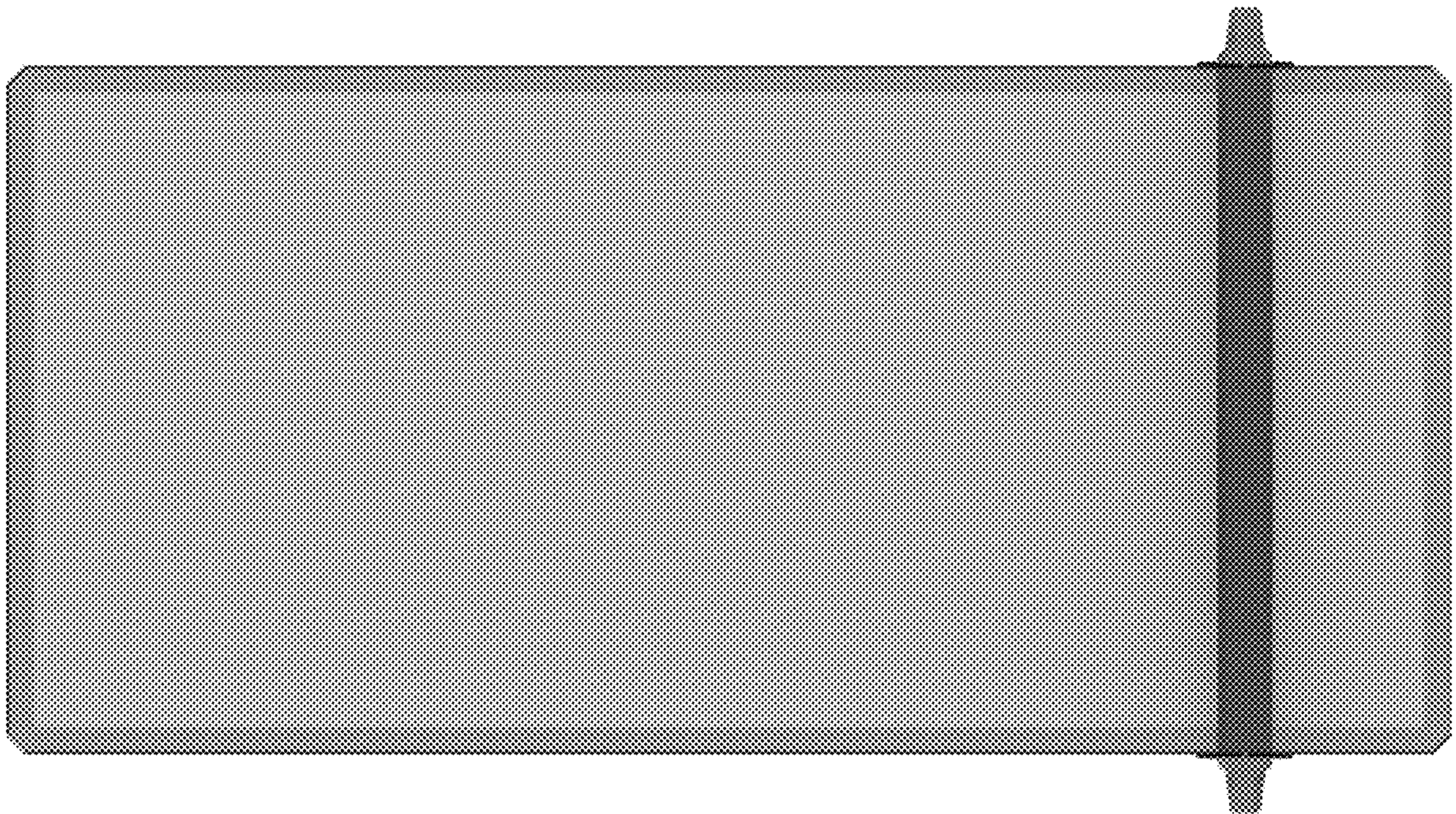
1.5



1.6



1.7



1.8

